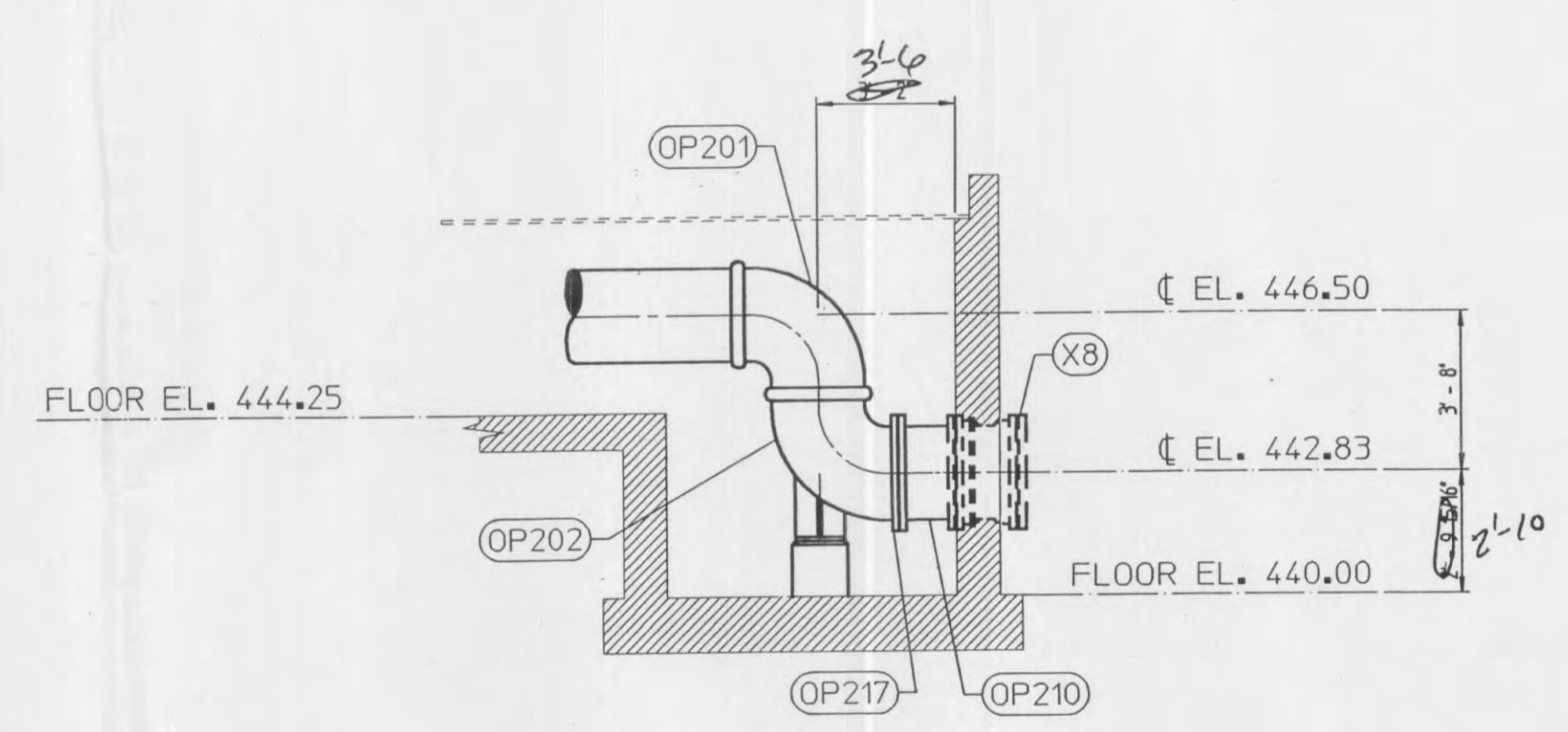
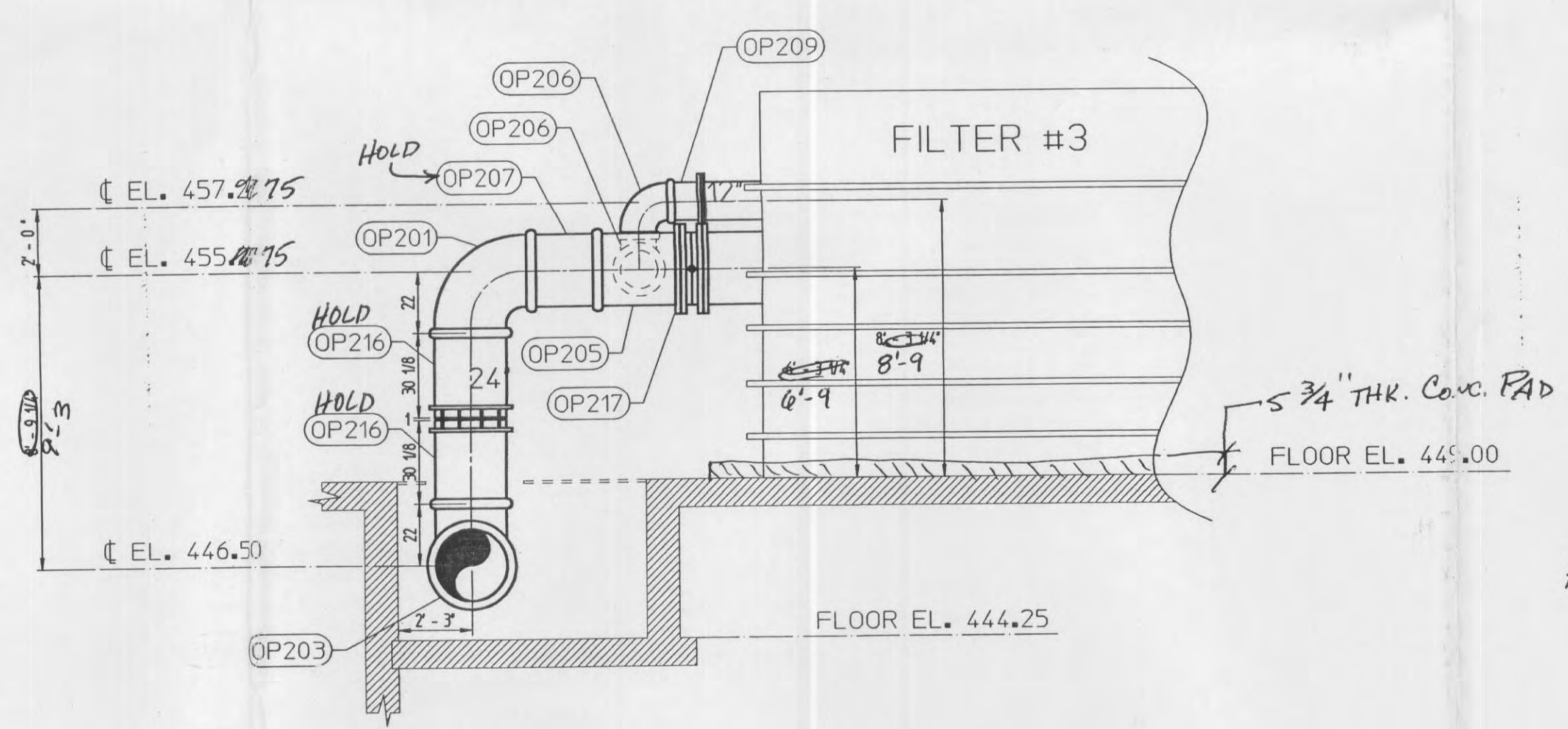


24" WASH WATER DRAIN



SECTION A-A



SECTION B-B
TYP. OF FOUR

NOTE: PLEASE VERIFY ALL VALVE DIMENSIONS. GASKETS BETWEEN FLANGE FACES ARE 1/8" THICK.

SPECIAL DIMENSIONS
Scaled dimensions have been estimated. Pipe lengths and fitting locations on this drawing are based on these estimated lengths. Please supply and/or verify these dimensions prior to ordering pipe material.

BILL OF MATERIAL			
QTY	SP/ID	MARK	DESCRIPTION
5	CL-PRE	OP201	24" VGER C10-SR 90 BEND, ALL CENTERS 22", 150 PSI, 4-F-5-5
1	CL-PRE	OP202	24" VGER C10-SR 90 BEND, ALL CENTERS 22", 150 PSI, W/BASE, FACED & DRILLED IN POSITION Y, 4-F-5-5
5	CL-PRE	OP203	24"x24"x24" VGER C10 TEE, ALL CENTERS 22", 150 PSI, 4-F-5-5
2	PRE-PRE	OP204	24" VGER DISHED CAP, 150 PSI, 60, TNEC 140-1211 EPOXY ON SPGOT END, R-G-5-5
4	CL-PRE	OP205	24"x24"x12" VGER C10 TEE, CENTER TO VGER END 15", CENTER TO VGER END 15", CENTER TO VGER END 19", 150 PSI, 4-F-5-5
8	CL-PRE	OP206	12" VGER C10-SR 90 BEND, ALL CENTERS 12", 350 PSI, USA, (V), 4-G-6-6
4	CL-PRE	OP207	24" VGER VGER PIPE CL-56 0.56" 2-F-5-5 3'-10
4	CL-PRE	OP208	12" VGER VGER PIPE CL-53 0.4" 2-F-5-5
4	CL-PRE	OP209	12" FLG VGER PIPE CL-53 0.4" 2-F-5-5 EXPE x 2'-0 CG
1	CL-PRE	OP210	24" FLG PE PIPE CL-56 0.56" 2-F-5-5 4'-0 CG
1	CL-PRE	OP211	24" VGER VGER PIPE CL-56 0.56" 3-F-5-5
1	CL-PRE	OP212	24" VGER PE PIPE CL-56 0.56" 3-F-5-5
1	CL-PRE	OP213	24" VGER PE PIPE CL-56 0.56" 3-F-5-5
2	CL-PRE	OP214	24" VGER PE PIPE CL-56 0.56" 7-1/2", 2-F-5-5
1	CL-PRE	OP215	24" VGER PE PIPE CL-56 0.56" 2-F-5-5
1	CL-PRE	OP216	24" VGER PE PIPE CL-56 0.56" 2-F-5-5
5	CL-PRE	OP217	KIT 24" ST341 VIC FLANGE-ADAPTER INCLUDING NBR GASKET & COATING CODE (TNEC 140-1211 EP)
2	CL-PRE	OP218	24" VGER PE PIPE CL-56 0.56" 2-F-5-5
1	ASP-ASP	OP219	24" MPE C153 DISHED PLUG, 350 PSI, (R), 1-2-2-2
1	CL-ASP	X-12	24" M TAPPED FOR STUDS DWG Pa00097 M-J FAB TAPPED FOR STUDS DWG Pa00097 PIPE CL-53 0.47" 14-1/2" OVERALL (97LL) W/STL COLLAR 8-1/4" FROM M-J FAB FACE, 2-2-2-2/N

SPECIFICATION BOUNDARY DEFINITIONS

Boundary ID: PRE-PRE Service type: PROCESS
 Boundary name: PRE-PRE Service temp: 50
 Boundary unit: 1 Environment: EXT/BURIED

Pipe lining: Tneec 140-1211 Epoxy Red Oxid, 2-Coats, 8-Avg, 6-Min
 Pipe coating: Tneec 140-1211 Epoxy Red Oxid, 1-Coats, 4-Avg, 3-Min
 Fitting lining: Tneec 140-1211 Epoxy Red Oxid, 2-Coats, 8-Avg, 6-Min
 Fitting coating: Tneec 140-1211 Epoxy Red Oxid, 1-Coats, 4-Avg, 3-Min

Gasket types

FASTITE - Fastite Gasket, Plain Rubber Styrene-Butadiene
 FLEX-RING 4-12 - Fastite Gasket, Plain Rubber Styrene-Butadiene
 FLG LESS ACCESSORIES - none
 FRBELL FLEX-RING - Fastite Gasket, Plain Rubber Styrene-Butadiene
 MJ - Mechanical Joint Gasket, Plain Rubber Styrene-Butadiene
 RIGID GROOV LESS ACC - none

Boundary ID: CL-PRE Service type: PROCESS
 Boundary name: CL-PRE Service temp: 50
 Boundary unit: 1 Environment: EXT/BURIED

Pipe lining: Single Thick C/L with Seal Coat: Black, 1-Coat, AMMA C104
 Pipe coating: Asphaltic Coated: Black, 1-Coat, 3-Avg, 1-Min
 Fitting lining: Double Thick C/L with Seal Coat: Black, 1-Coat, AMMA C104
 Fitting coating: Asphaltic Coated: Black, 1-Coat, 3-Avg, 1-Min

Gasket types

COUPLING GLAND - none
 FASTITE - Fastite Gasket, Plain Rubber Styrene-Butadiene
 FLEX-RING 4-12 - Fastite Gasket, Plain Rubber Styrene-Butadiene
 FLG LESS ACCESSORIES - none
 FRBELL FLEX-RING - Fastite Gasket, Plain Rubber Styrene-Butadiene
 MJ - Mechanical Joint Gasket, Plain Rubber Styrene-Butadiene
 RIGID GROOV LESS ACC - none

Boundary ID: CL-ASP Service type: PROCESS
 Boundary name: CL-ASP Service temp: 50
 Boundary unit: 1 Environment: EXT/BURIED

Pipe lining: Single Thick C/L with Seal Coat: Black, 1-Coat, AMMA C104
 Pipe coating: Asphaltic Coated: Black, 1-Coat, 3-Avg, 1-Min
 Fitting lining: Double Thick C/L with Seal Coat: Black, 1-Coat, 3-Avg, 1-Min
 Fitting coating: Asphaltic Coated: Black, 1-Coat, 3-Avg, 1-Min

Gasket types

FASTITE - Fastite Gasket, Plain Rubber Styrene-Butadiene
 FLEX-RING 4-12 - Fastite Gasket, Plain Rubber Styrene-Butadiene
 FLG LESS ACCESSORIES - none
 FRBELL FLEX-RING - Fastite Gasket, Plain Rubber Styrene-Butadiene
 MJ - Mechanical Joint Gasket, Plain Rubber Styrene-Butadiene
 RIGID GROOV LESS ACC - none

Approved As Noted in plan
 RELEASE ALL ITEMS EXCEPT ITEMS MARKED HOLD

NO EXCEPTIONS NOTED
 EXCEPTIONS NOTED
 RETURNED FOR CORRECTION
 RECORD COPY
 NOT ACCEPTABLE 10 RECD

BLACK & VEATCH

AMERICAN DUCTILE IRON PIPE
 A DIVISION OF AMERICAN CAST IRON PIPE COMPANY

PHONE: 1-800-442-2347 FAX: 1-800-442-2348

P O BOX 2727 2916 16th STREET NORTH
 BIRMINGHAM, ALABAMA 35202 BIRMINGHAM, ALABAMA 35207

4'-6" Diameter Ductile Iron Pipe - Fastite Joint, Mechanical Joint, Flanged Joint, Flex-Ring Restrained Joint, Lock-Ring Restrained Joint, Flex-Lok Restrained Joint, ANSI A21.10, A21.53, & AMERICAN Standard Fittings
 ANSI A21.4 Cental Lining, POLYBOND Lining, plus Special Coatings & Linings
 American Flow Control - Valves And Hydrants

REVISIONS:	DATE:	REV #:	CONDAIRE, INCORPORATED WATER TREATMENT FACILITIES O FALLON, MO 24" WASH WATER DRAIN INTERIOR REF. DWGS. D3, D5, D6, D7
DRAWN BY: Darkel Jones	SCALE: NTS	PROJECT NUMBER: KM001898	C02010-OP2
DATE: 09Sep2002			