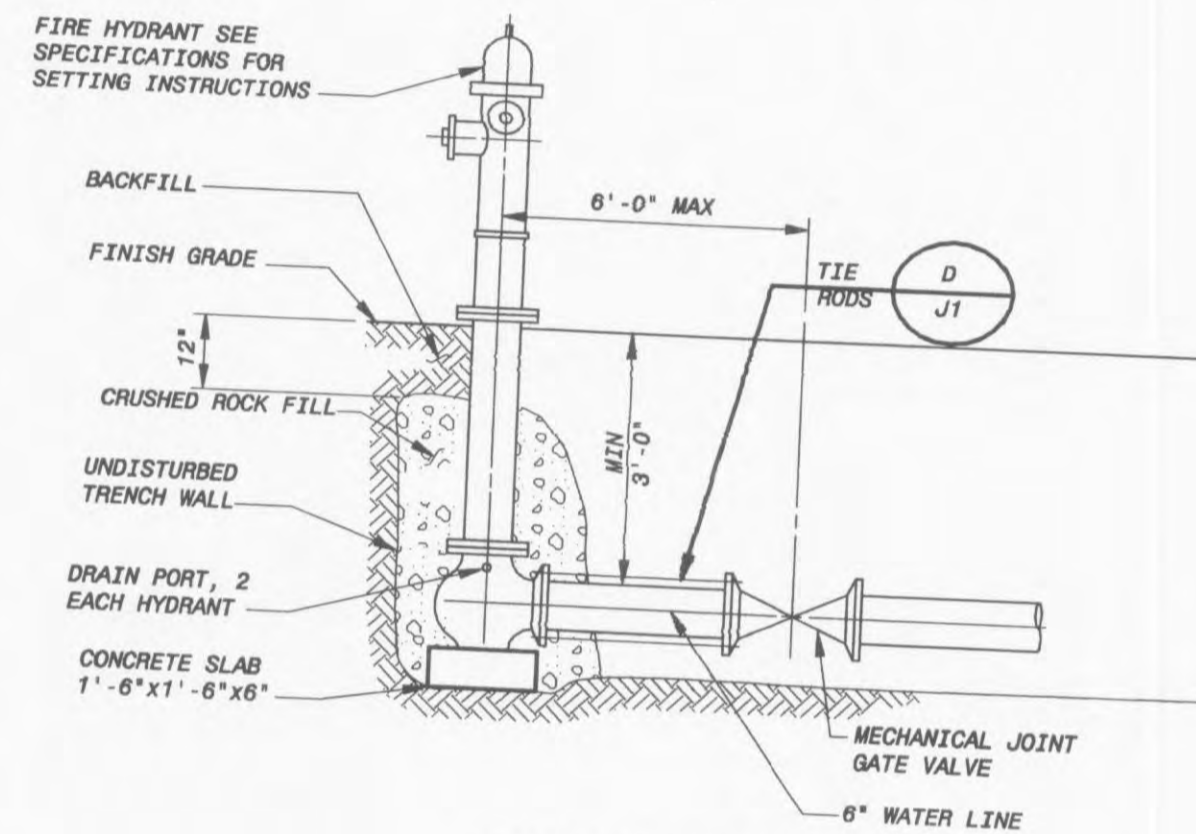
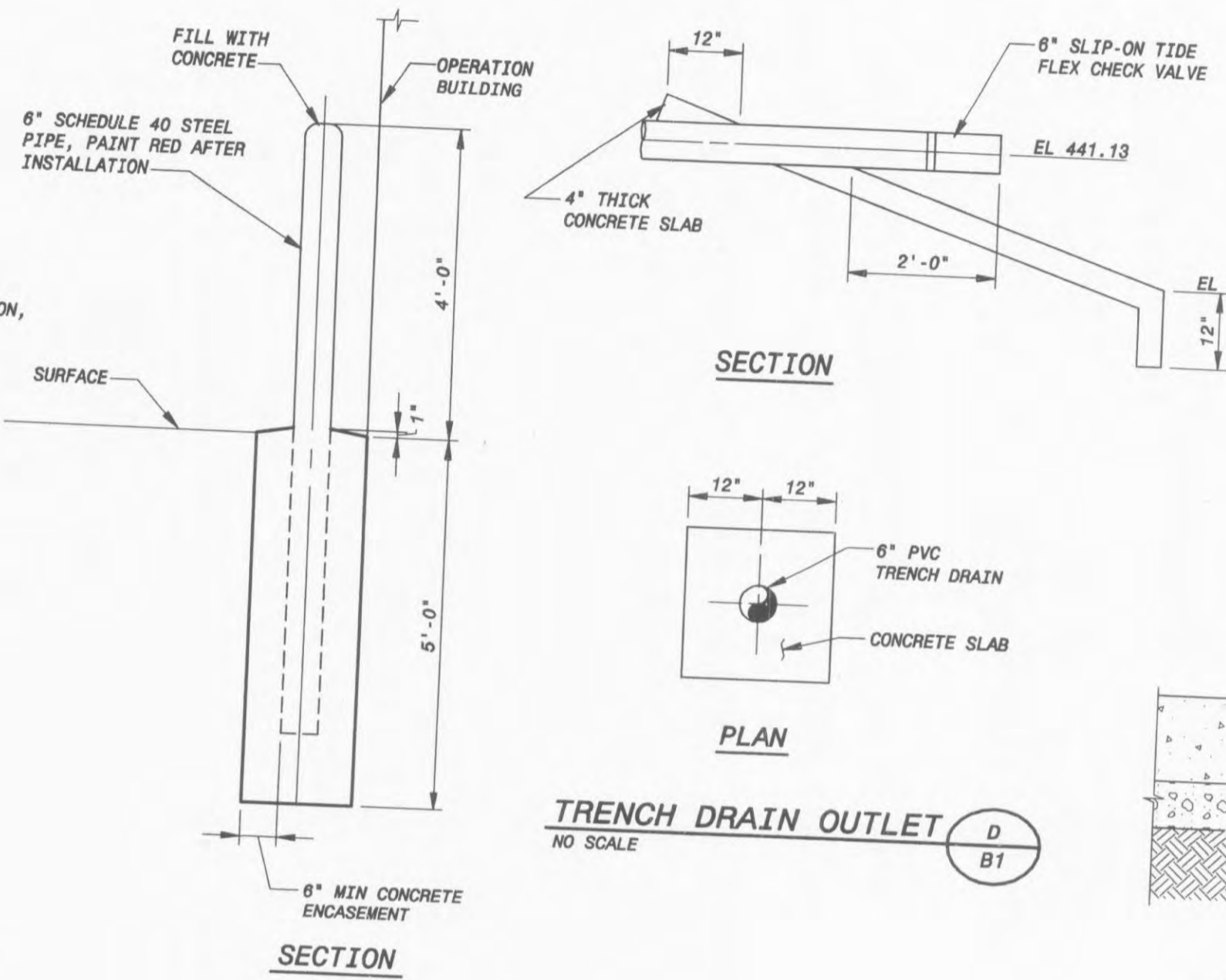


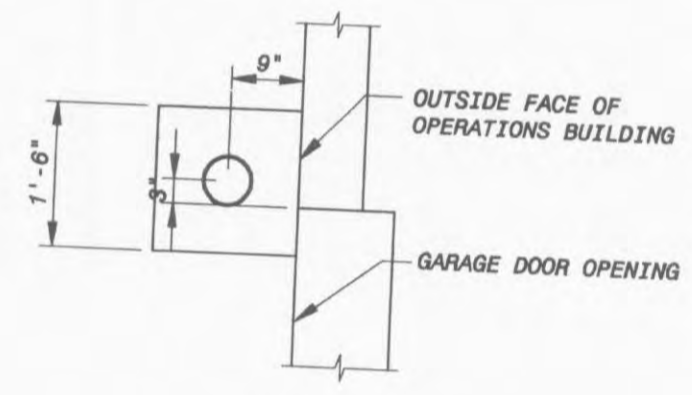
TRENCH DRAIN AT LOADING DOCK
1/2" = 1'-0"



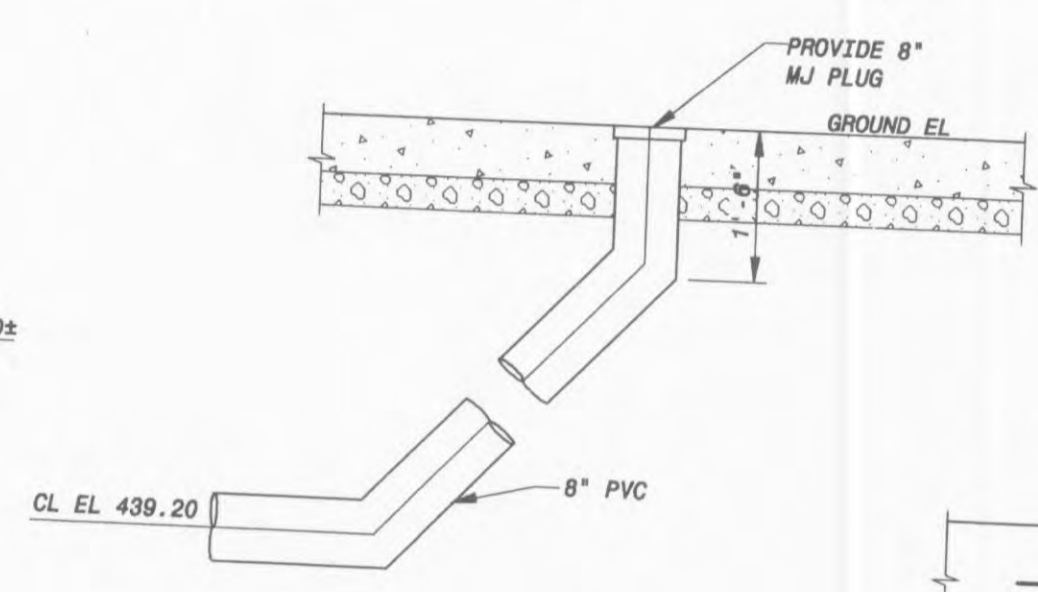
FIRE HYDRANT
NO SCALE



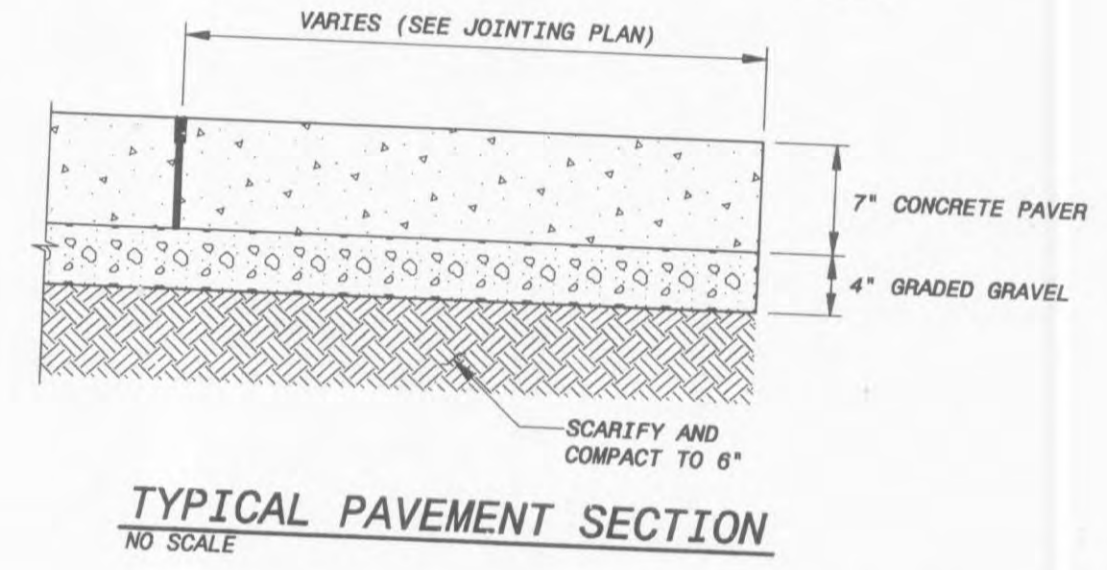
TRENCH DRAIN OUTLET
NO SCALE



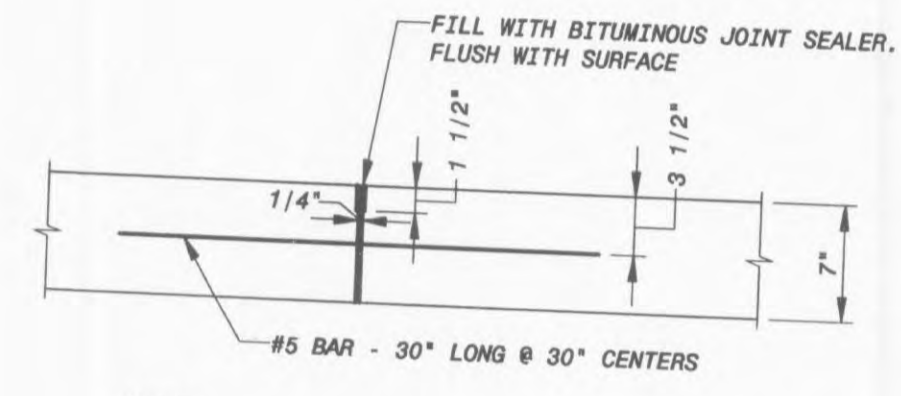
GUARDPOST
NO SCALE



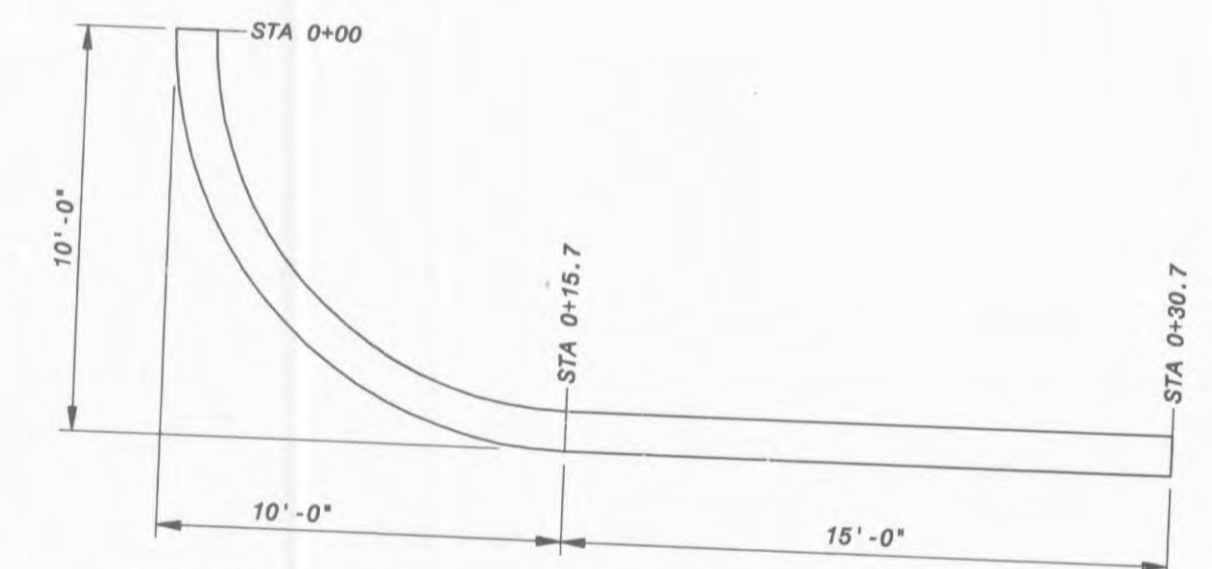
CLEANOUT
NO SCALE



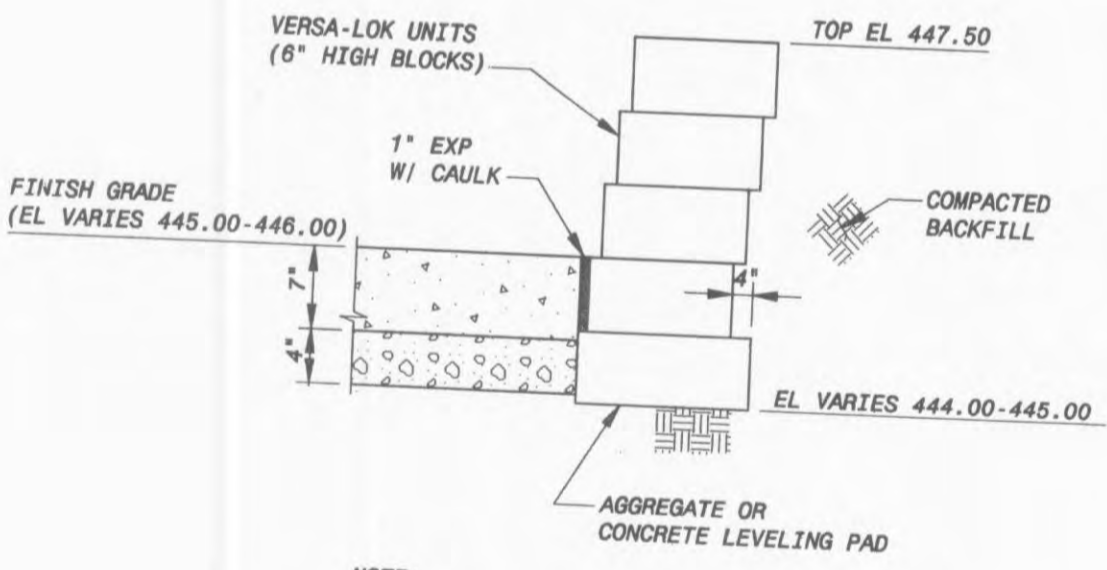
TYPICAL PAVEMENT SECTION
NO SCALE



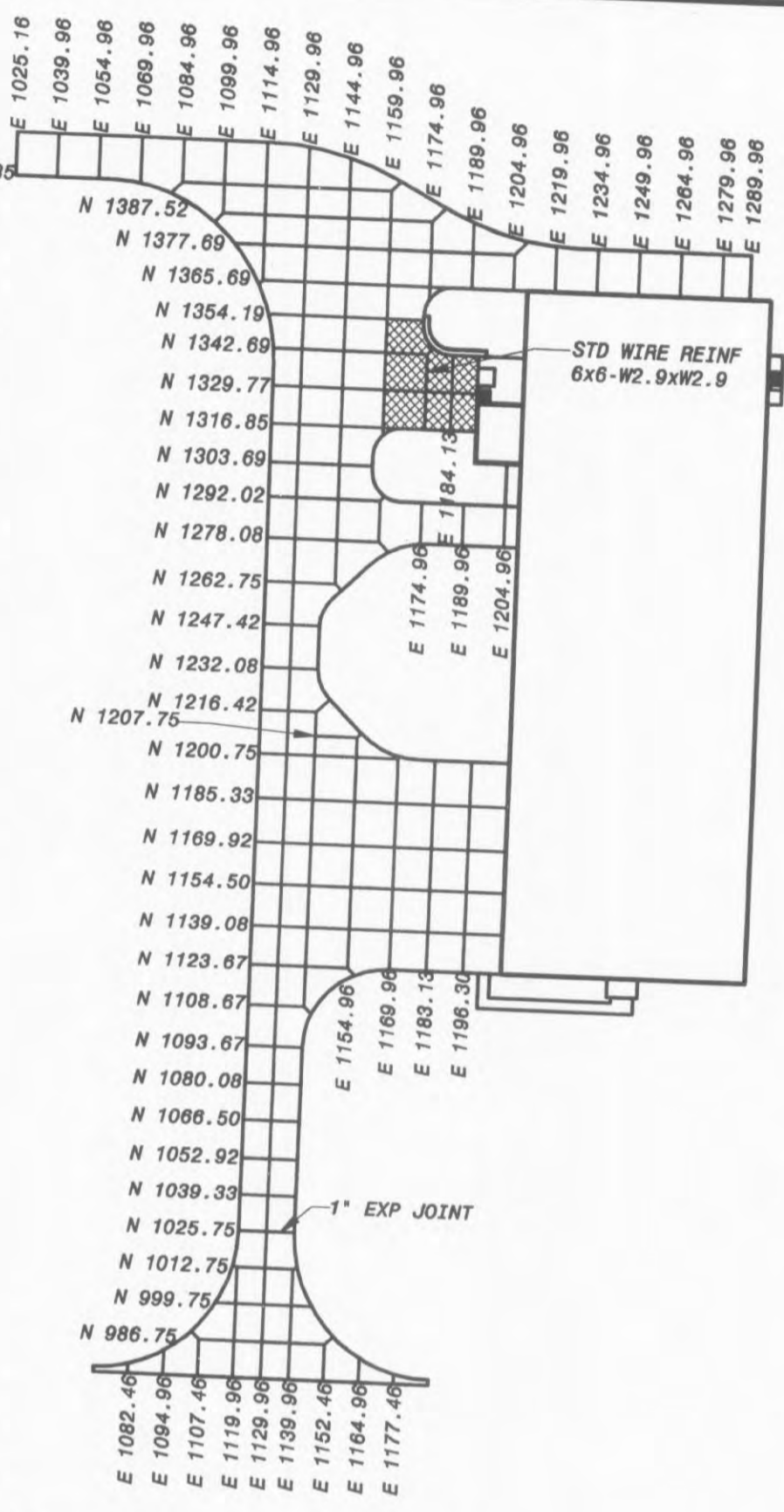
TYPICAL PAVEMENT JOINT
1" = 1'-0"



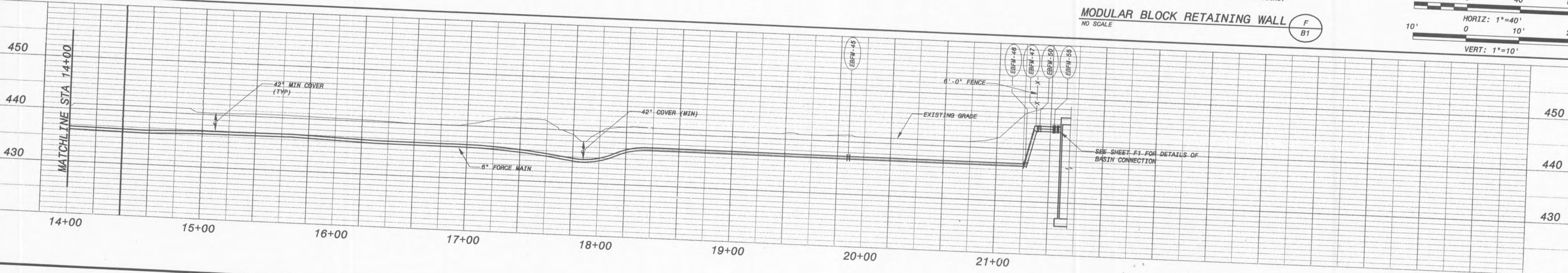
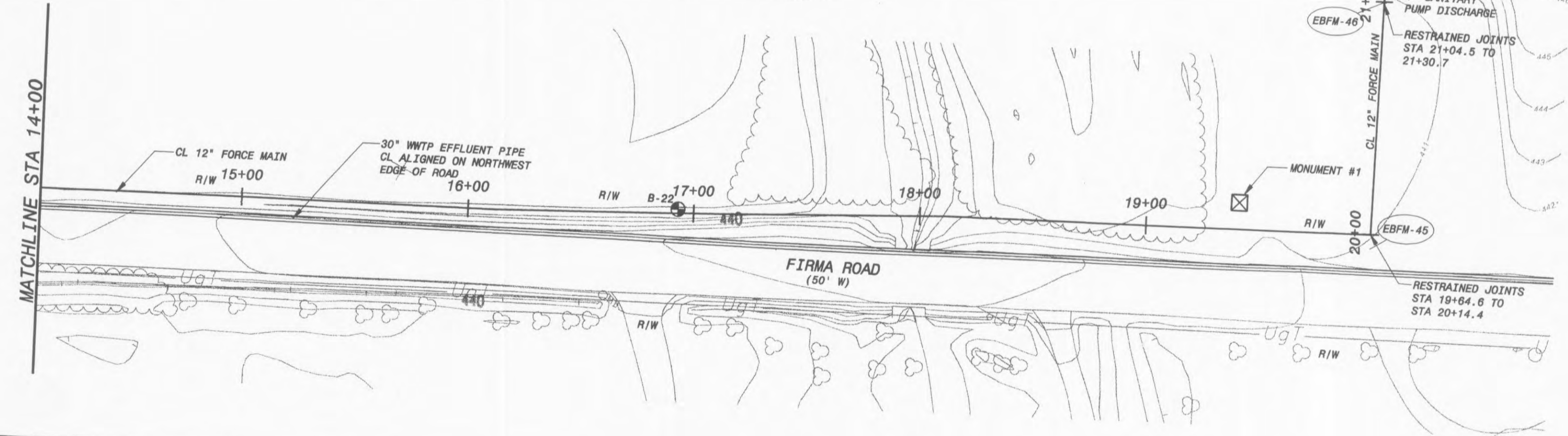
MODULAR BLOCK RETAINING WALL - PLAN
NO SCALE



MODULAR BLOCK RETAINING WALL
NO SCALE



PAVEMENT JOINT DETAIL
1" = 60'-0"



NO.	BY	DATE	REVISIONS AND RECORD OF ISSUE
1	CK		
2	APP		

THIS DRAWING WAS ORIGINALLY APPROVED FOR CONSTRUCTION BY M. NELSON ON 10/08/08. IT WAS SEALED BY KEVIN W. NELSON, A LICENSED PROFESSIONAL ENGINEER IN THE STATE OF MISSOURI, NO. E-26298.

BLACK & VEATCH Corporation
St. Louis, Missouri

CITY OF O'FALLON, MISSOURI
WATER TREATMENT PLANT

FORCE MAIN PROFILE AND SITE DETAILS

DESIGNED: KMN, BPF
 DETAILED: JAB, CSA, DPH
 CHECKED: MER, WLK
 APPROVED: KMN
 DATE: 10/08/01

PROJECT NO. 97515

B6

SHEET 9 OF 96

FOUR 2515
097515