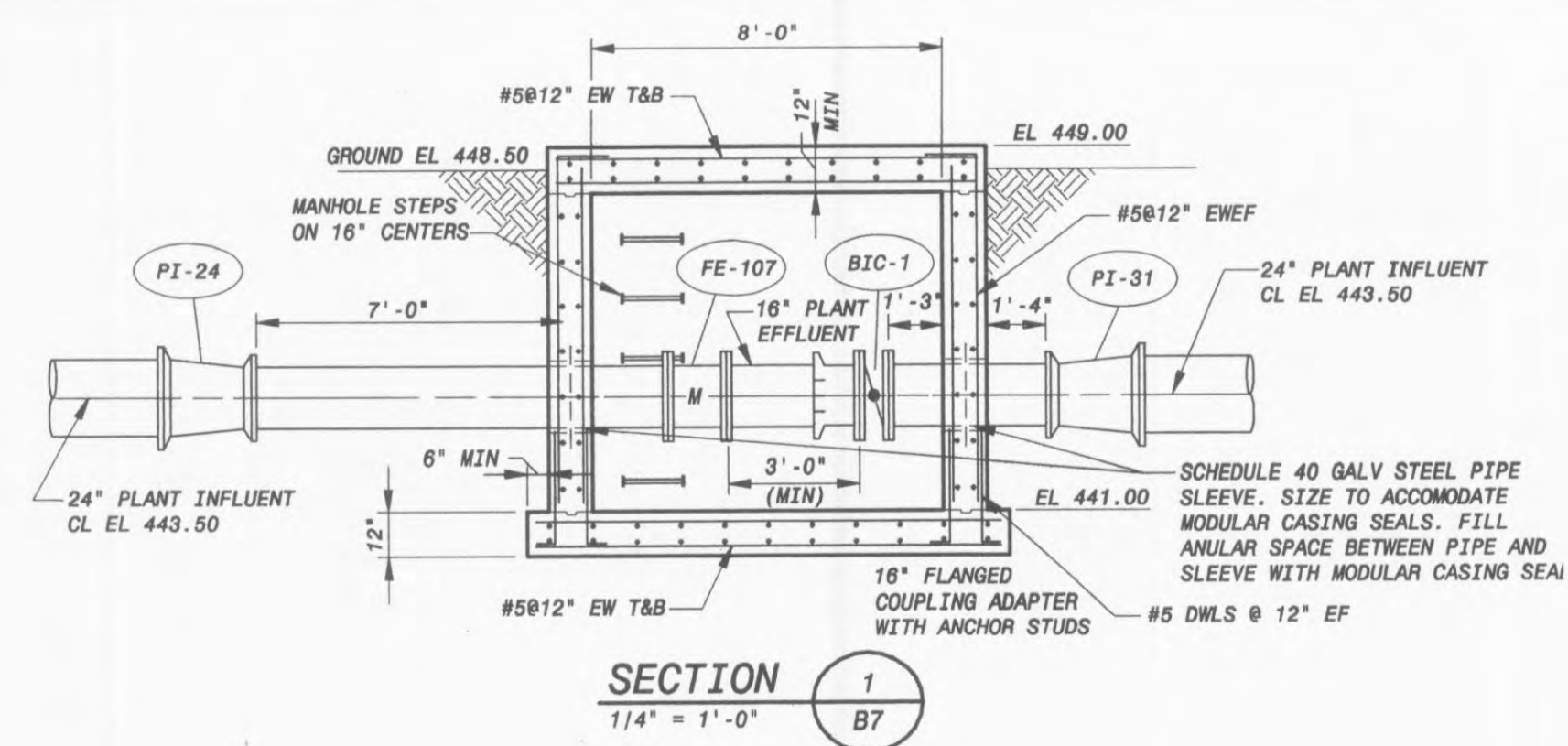
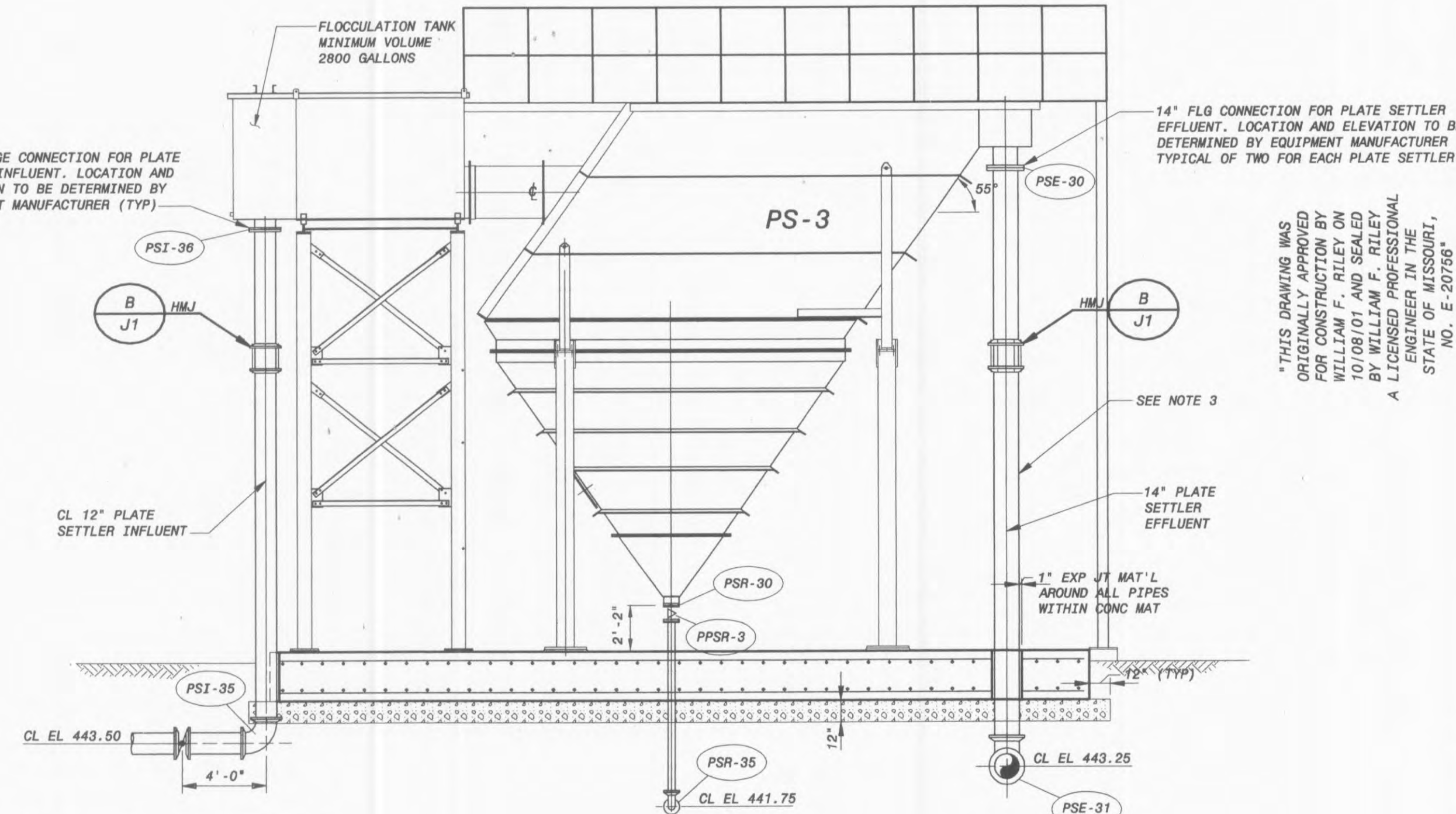


ENLARGED PLAN - INLET CONTROL AND PLATE SETTLERS  
3/16" = 1'-0"

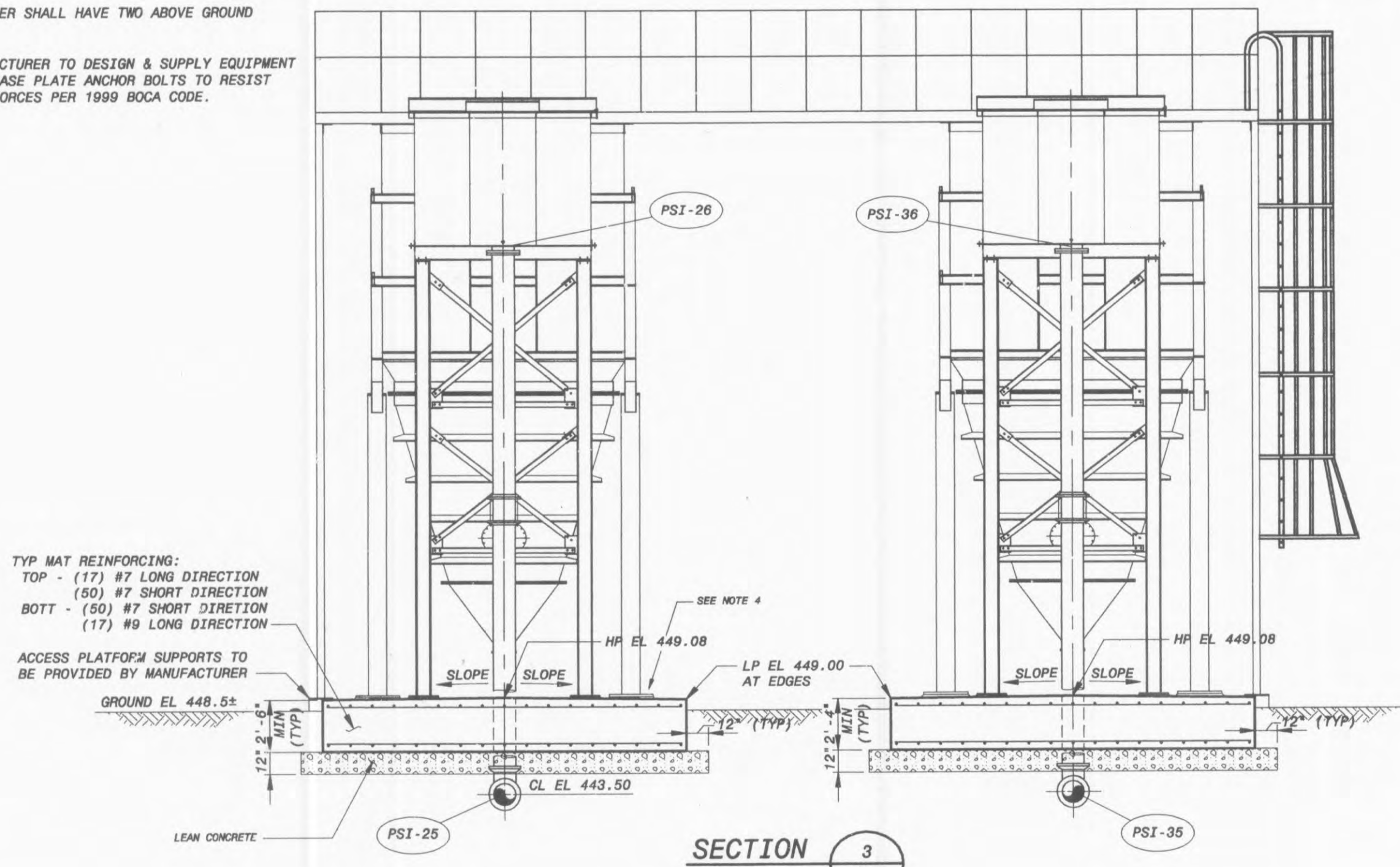


SECTION 1  
1/4" = 1'-0"



SECTION 2  
3/16" = 1'-0"

- NOTES:
- HEAT TRACE AND INSULATE ABOVE GRADE SECTIONS OF PLATE SETTLER INFLUENT, PLATE SETTLER EFFLUENT, AND RESIDUAL DISCHARGE LINES.
  - CONTRACTOR SHALL COORDINATE PIPE LOCATION AND CONNECTIONS WITH EQUIPMENT MANUFACTURER.
  - EACH PLATE SETTLER SHALL HAVE TWO ABOVE GROUND EFFLUENT PIPES.
  - EQUIPMENT MANUFACTURER TO DESIGN & SUPPLY EQUIPMENT SUPPORT COLUMN BASE PLATE ANCHOR BOLTS TO RESIST WIND & SEISMIC FORCES PER 1999 BOCA CODE.



SECTION 3  
3/16" = 1'-0"

\*THIS DRAWING WAS ORIGINALLY APPROVED FOR CONSTRUCTION BY KEVIN M. NELSON ON 10/08/01 AND SEALED BY KEVIN M. NELSON, A LICENSED PROFESSIONAL ENGINEER IN THE STATE OF MISSOURI, NO. E-26299.

\*THIS DRAWING WAS ORIGINALLY APPROVED FOR CONSTRUCTION BY KEVIN M. NELSON ON 10/08/01 AND SEALED BY KEVIN M. NELSON, A LICENSED PROFESSIONAL ENGINEER IN THE STATE OF MISSOURI, NO. E-26299.

**BLACK & VEATCH Corporation**  
St. Louis, Missouri

CITY OF FALLON, MISSOURI  
WATER TREATMENT PLANT  
PLANT INFLUENT CONTROL FACILITY AND SITE DETAILS

DESIGNED: KMN, BPF  
DETAILED: DPH, JAB  
CHECKED: BLP  
APPROVED: WFR, KMN  
DATE: 10/08/01

PROJECT NO.  
**97515**

**B7**

SHEET  
10 OF 96

NO.	BY	CHK	APP
1			
2			

CONFORMED TO CONSTRUCTION RECORDS  
ADDENDUM

DATE: 10/08/01  
C/DRAWER ID: 97515-300-C-T00000000A  
XREF ID: 97515-300-C-T00000000A  
DATE: 10/22/2004 12:37:30 PM  
XREF ID: 10444266  
DATE: 10/22/2004 12:37:30 PM  
XREF ID: 10444266  
DATE: 4/11/2005 2:46:32 PM  
XREF ID: 41115005  
DATE: 4/11/2005 2:46:32 PM  
XREF ID: 41115005  
DATE: 4/11/2005 2:46:32 PM  
XREF ID: 41115005