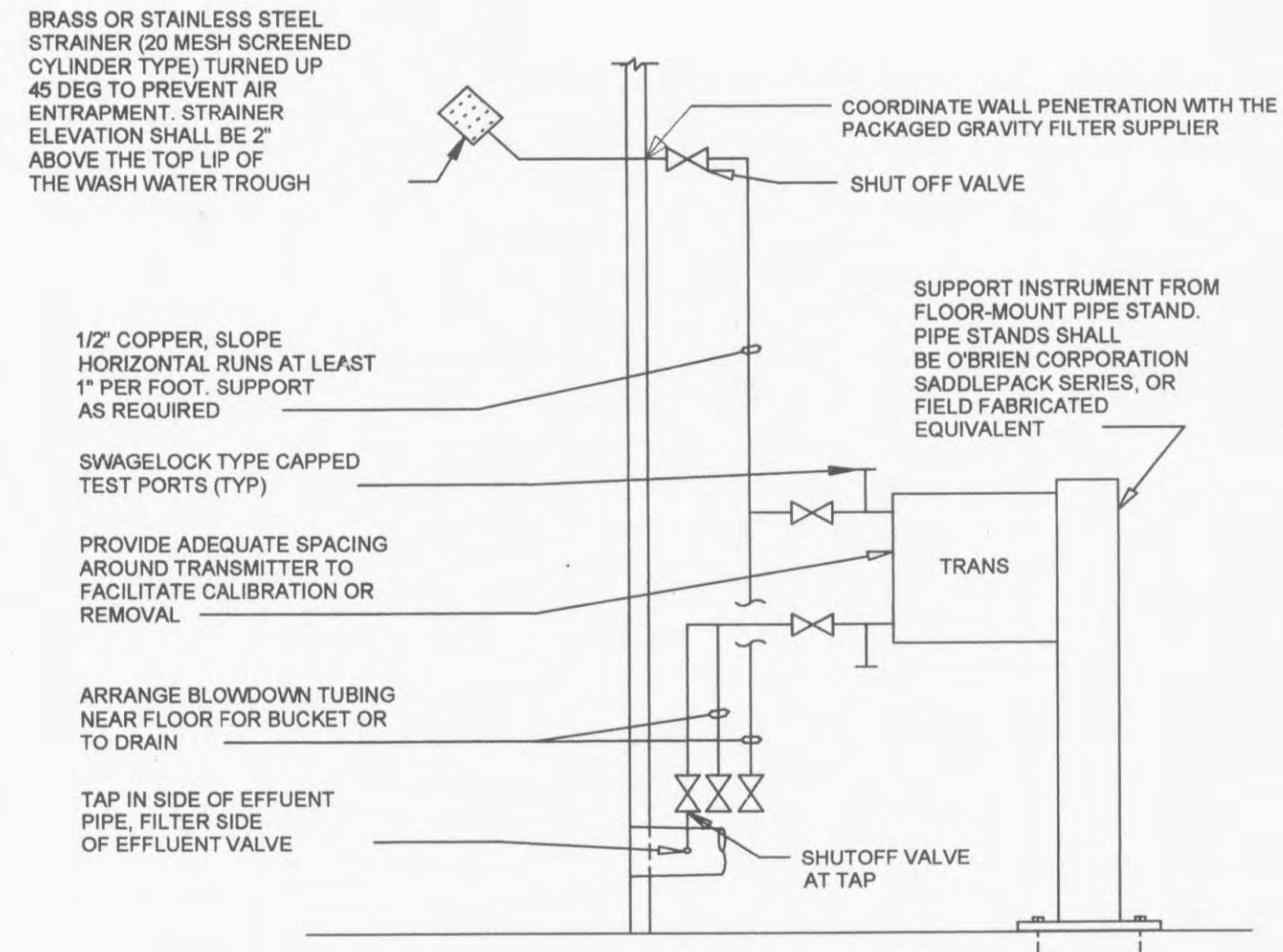


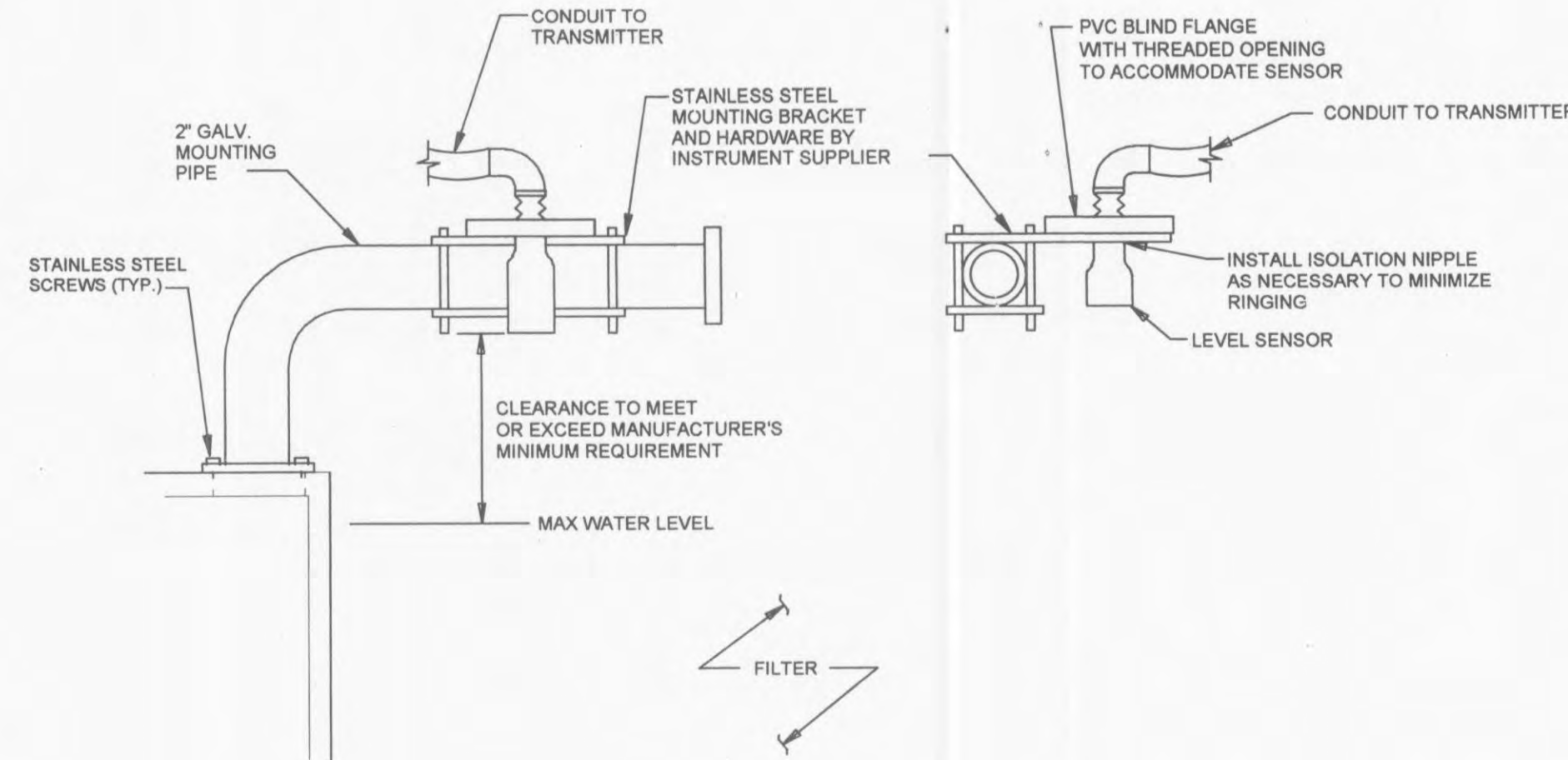
FIXED-MOUNT FLOAT LEVEL SWITCH DETAIL

NO SCALE TYPICAL FOR LSL-290, LSL-290, LSL-400, LSL-510, LSL-510, LSL-530, AND LSL-530



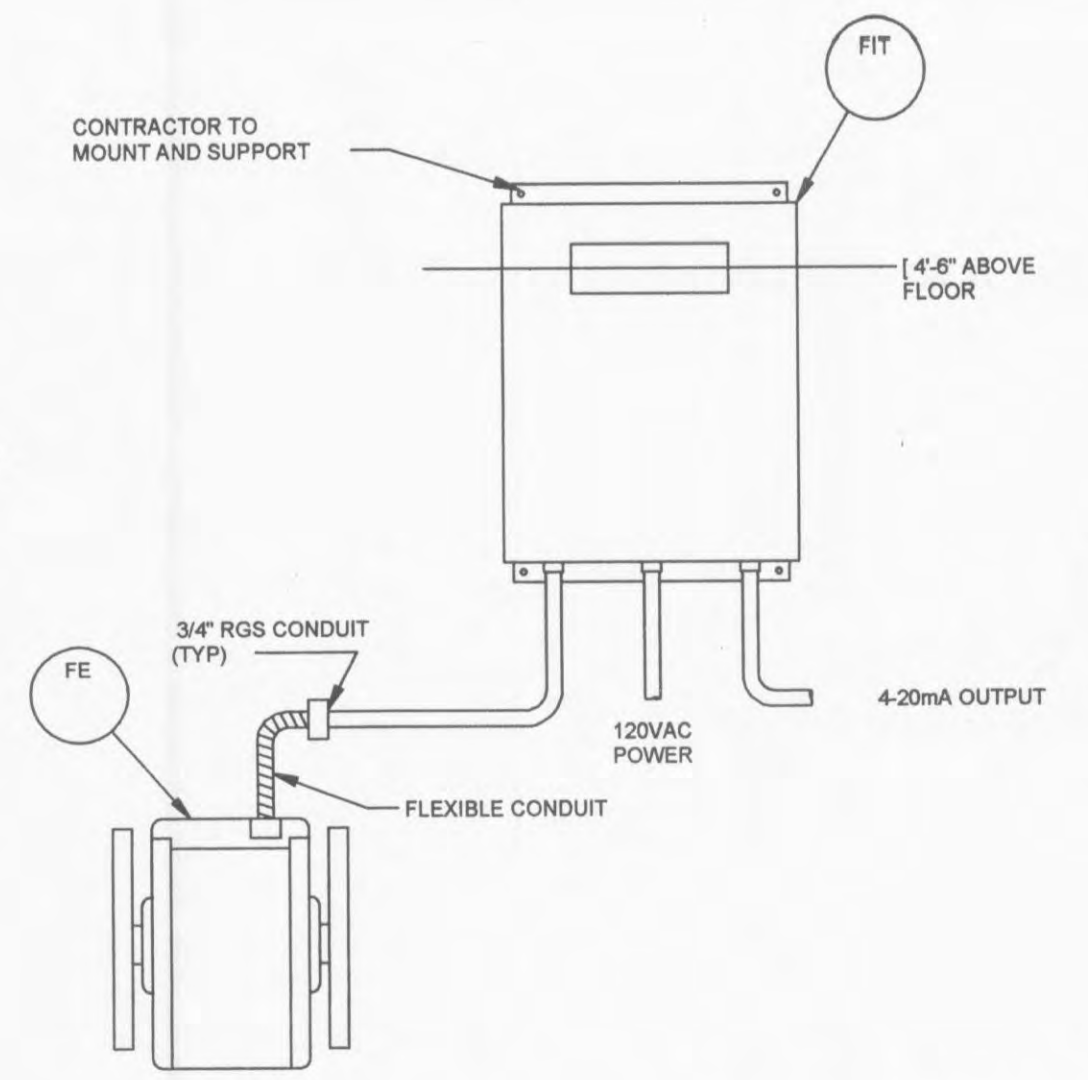
FILTER LOSS-OF-HEAD TRANSMITTER DETAIL

NO SCALE TYPICAL FOR PDIT-210, -220, -230, AND -240



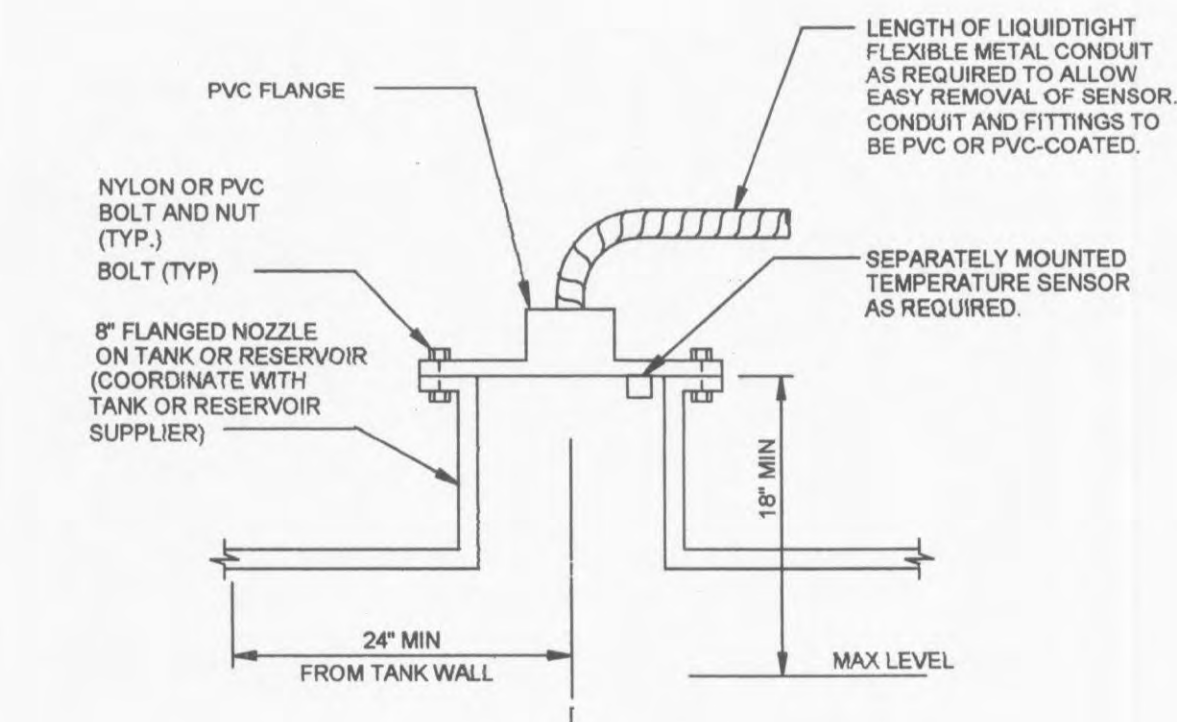
ULTRASONIC LEVEL SENSOR DETAIL

NO SCALE TYPICAL FOR LE-210, LE-220, LE-230, AND LE-240



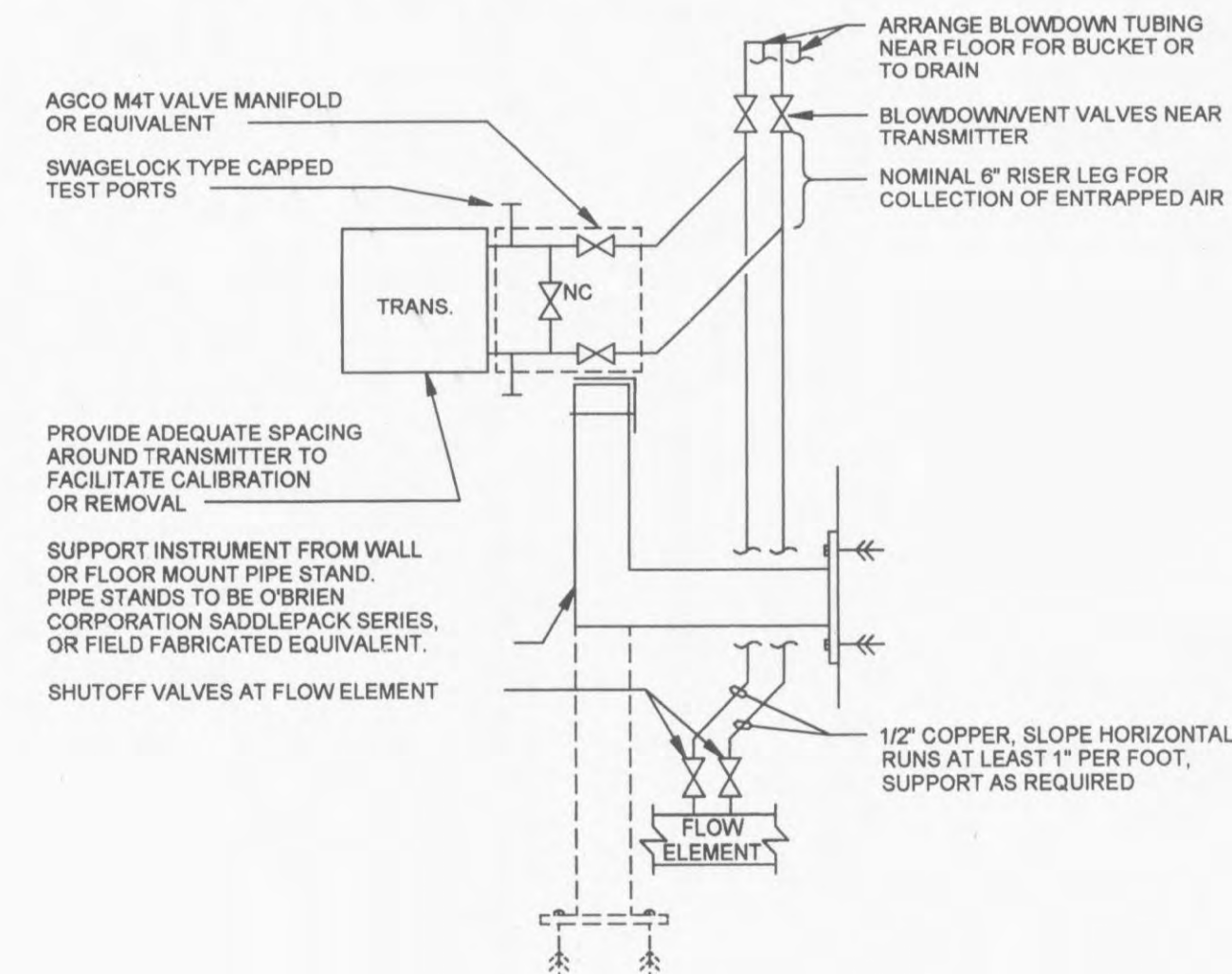
MAGNETIC FLOWMETER DETAIL

NO SCALE TYPICAL FOR FE/FIT-5, FE/FIT-107, AND FE/FIT-900



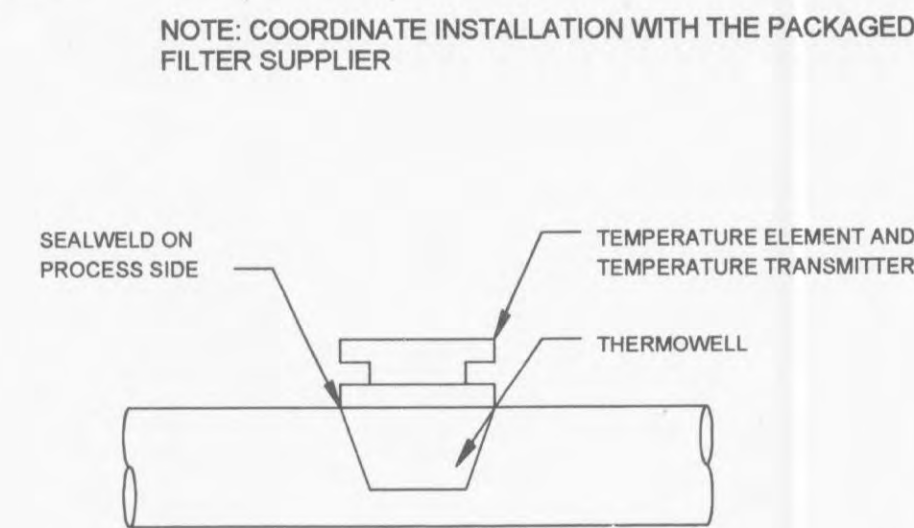
ULTRASONIC LEVEL SENSOR DETAIL

NO SCALE TYPICAL FOR LE-1301, E-1501, LE-1601, LE-1602, LE-1611, LE-1701 (CHEMICAL STORAGE AND DAY TANKS) AND LE-420 (RESERVOIR)



TYPICAL DIFFERENTIAL-TYPE FLOW TRANSMITTER INSTALLATION DETAIL

NO SCALE (FOR LIQUID SERVICE WITH TRANSMITTER MOUNTED ABOVE FLOW TUBE) TYPICAL FOR FIT-1, FIT-2, FIT-3, FIT-4, FIT-6, AND FIT-7

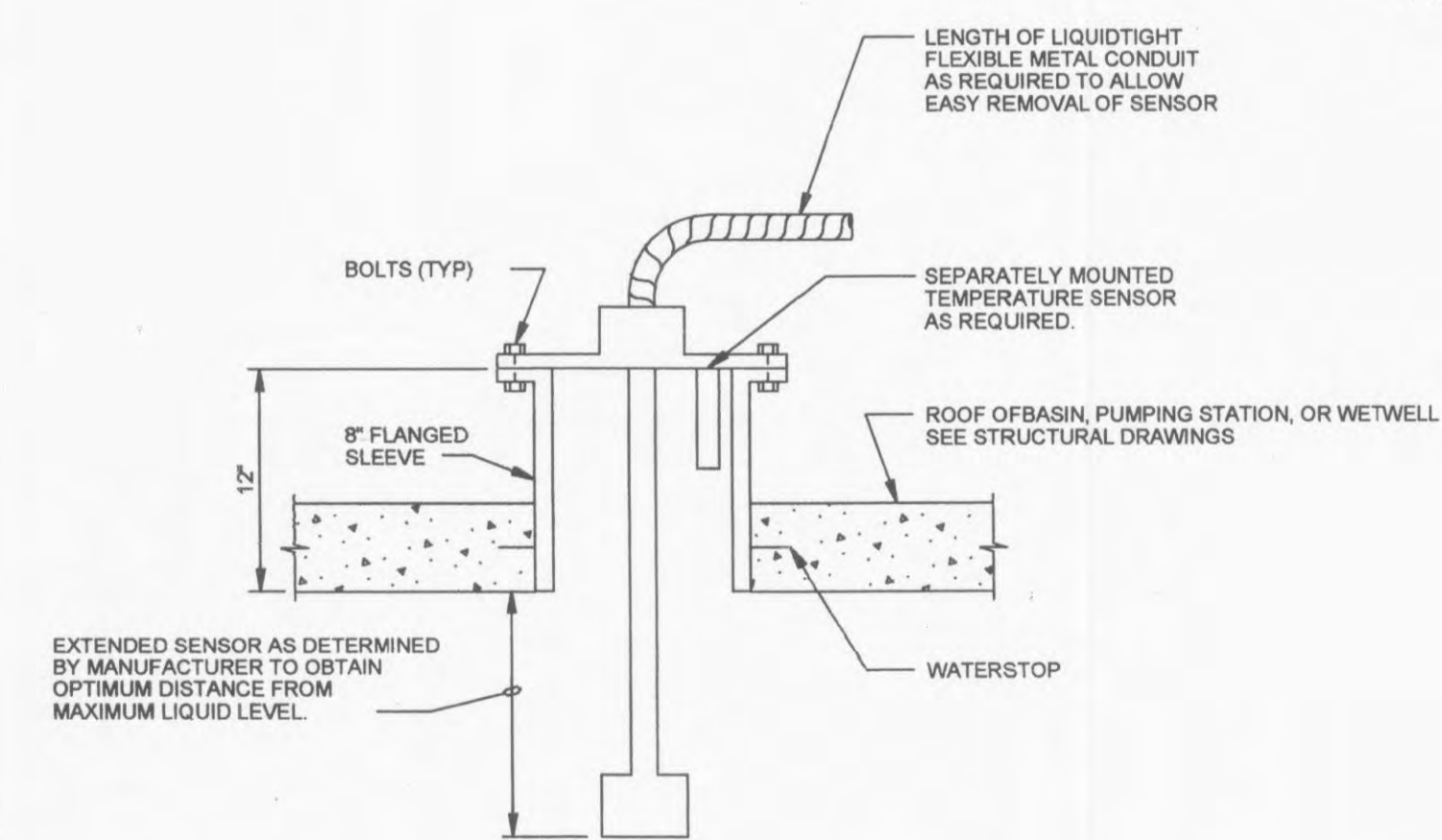


TEMPERATURE ELEMENT DETAIL

NO SCALE TYPICAL FOR TE/TIT-420 AND TE/TIT-440

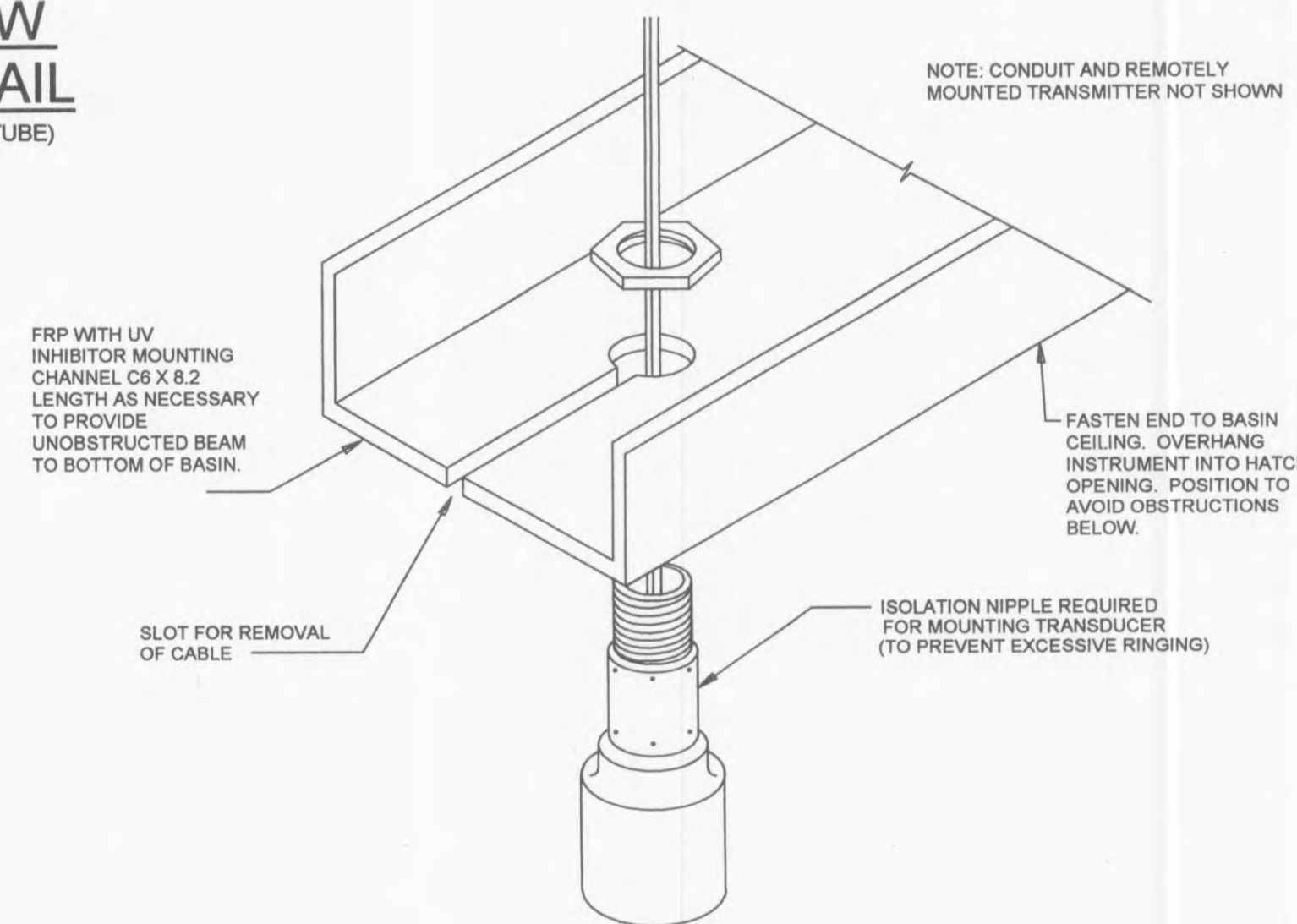
ULTRASONIC LEVEL SENSOR DETAIL

NO SCALE TYPICAL FOR LE-290, LE-400, AND LE-530



ULTRASONIC LEVEL SENSOR DETAIL

NO SCALE TYPICAL FOR LE-290, LE-400, AND LE-530

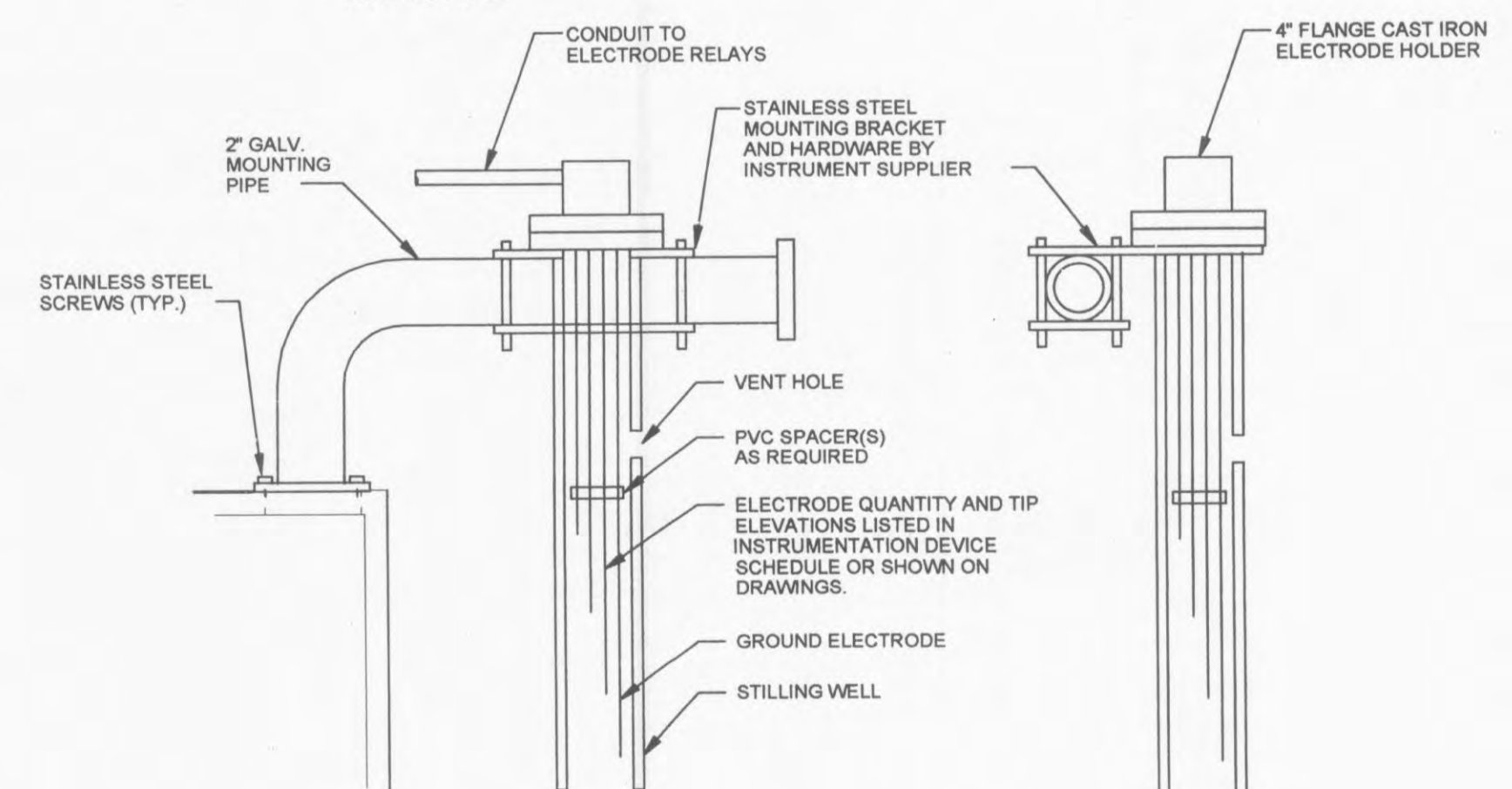


ULTRASONIC LEVEL SENSOR DETAIL

NO SCALE TYPICAL FOR LE-510

ELECTRODE/CONDUCTANCE RELAY LEVEL SWITCH DETAIL

NO SCALE TYPICAL FOR LSH-1199, LSH-1299, LSH-1399, LSH-1499, LSH-1599, LSH-1699, AND LSH-1799



ELECTRODE/CONDUCTANCE RELAY LEVEL SWITCH DETAIL

NO SCALE TYPICAL FOR LSH-210, LSL-210, LSH-220, LSL-220, LSH-230, LSL-230, LSH-240, AND LSL-240

CONFORMED TO CONSTRUCTION RECORDS	NO. BY	CHK	APP
ADDENDUM	1		
DATE			
REVISIONS AND RECORD OF ISSUE			
DATE			
BY			
SAVED:			
DATE			
NO. VER #:			
PROJECT NO.:			
USER:			

THIS DRAWING WAS ORIGINALLY APPROVED BY JOHN E. ROUSH JR. ON 10-08-2007 AND SEALED BY JOHN E. ROUSH JR., A LICENSED PROFESSIONAL ENGINEER IN THE STATE OF MISSOURI, NO. E-28417.



CITY OF O' FALLON, MISSOURI
WATER TREATMENT PLANT
INSTRUMENTATION
INSTALLATION DETAILS

DESIGNED: JER
 DETAILED: JER
 CHECKED: MJP
 APPROVED: JER
 DATE: 10/08/10

PROJECT NO.
97515

N21

SHEET
 OF 96