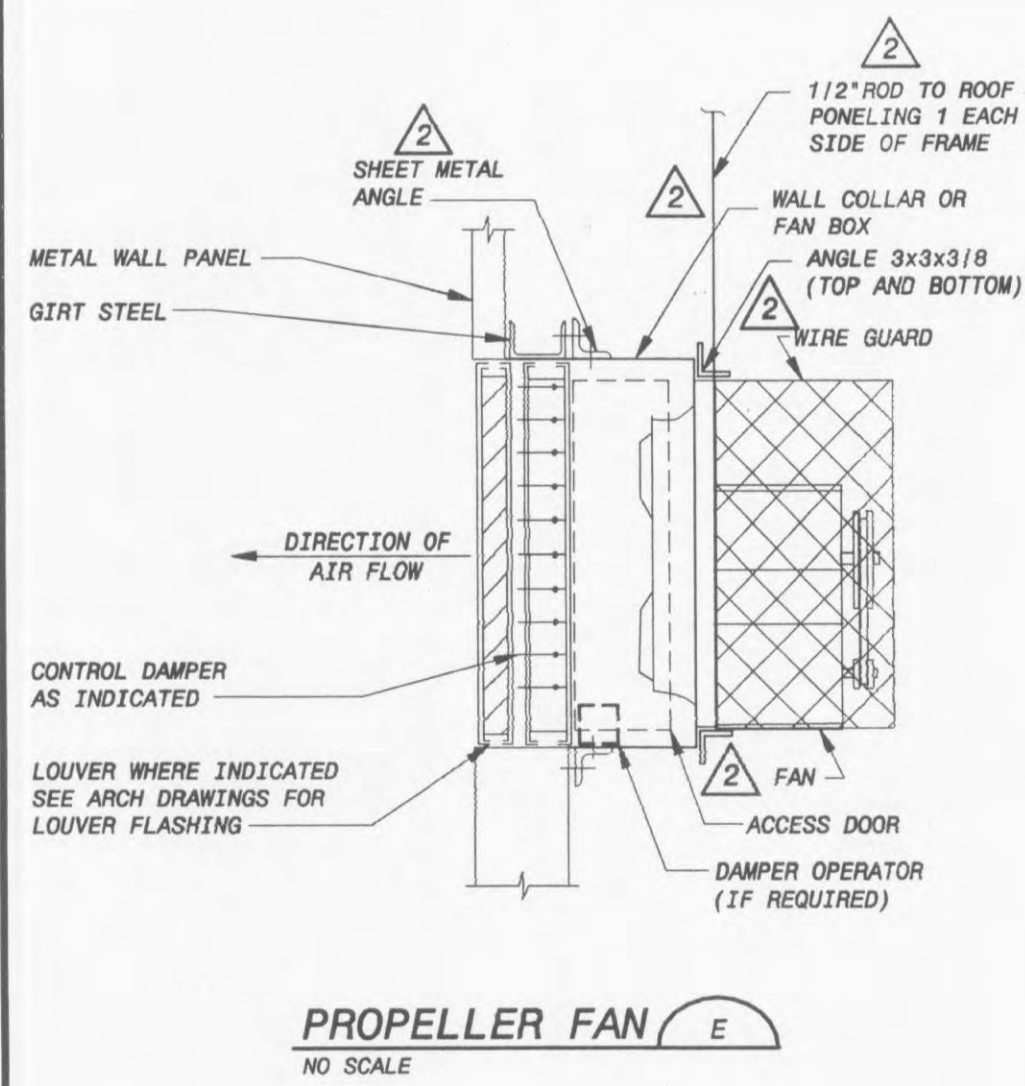
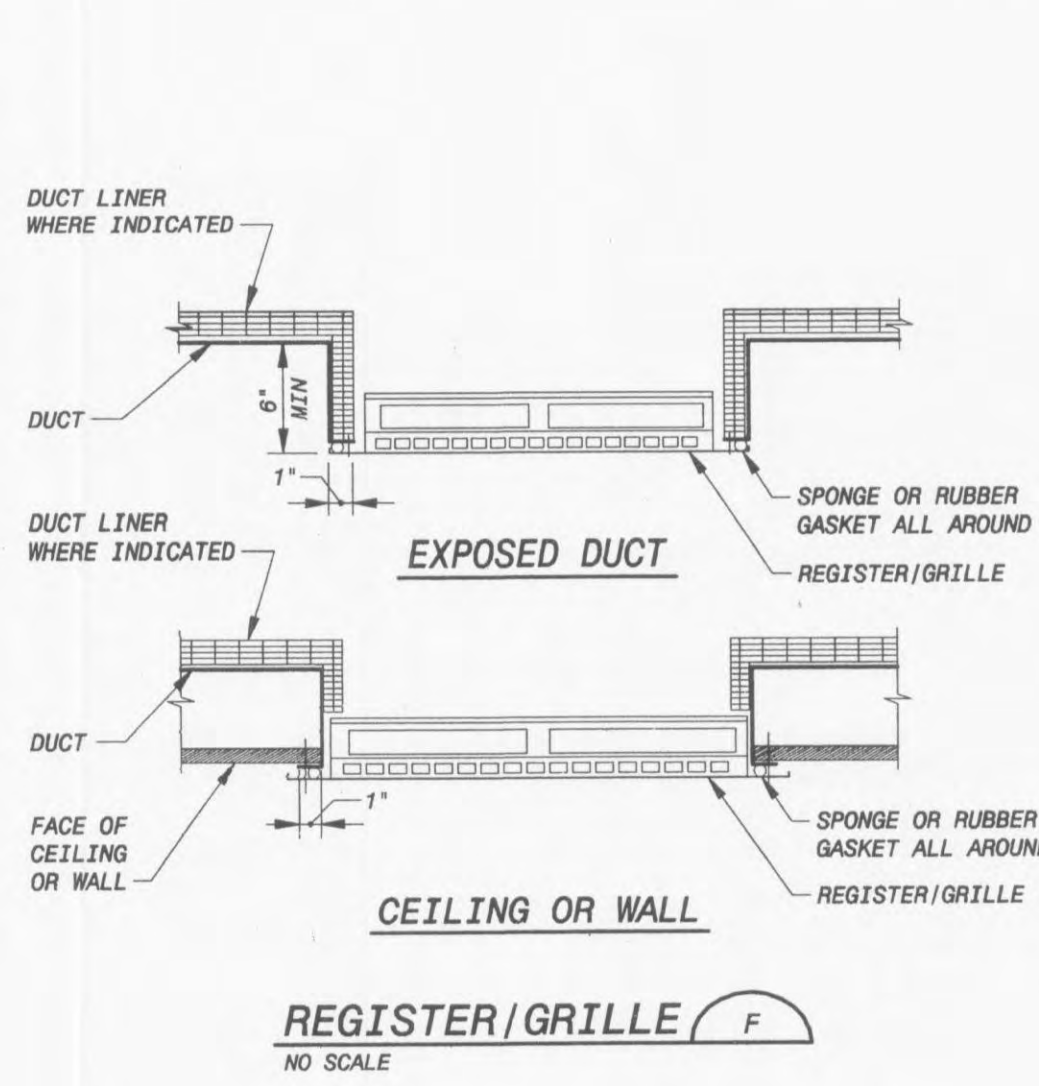


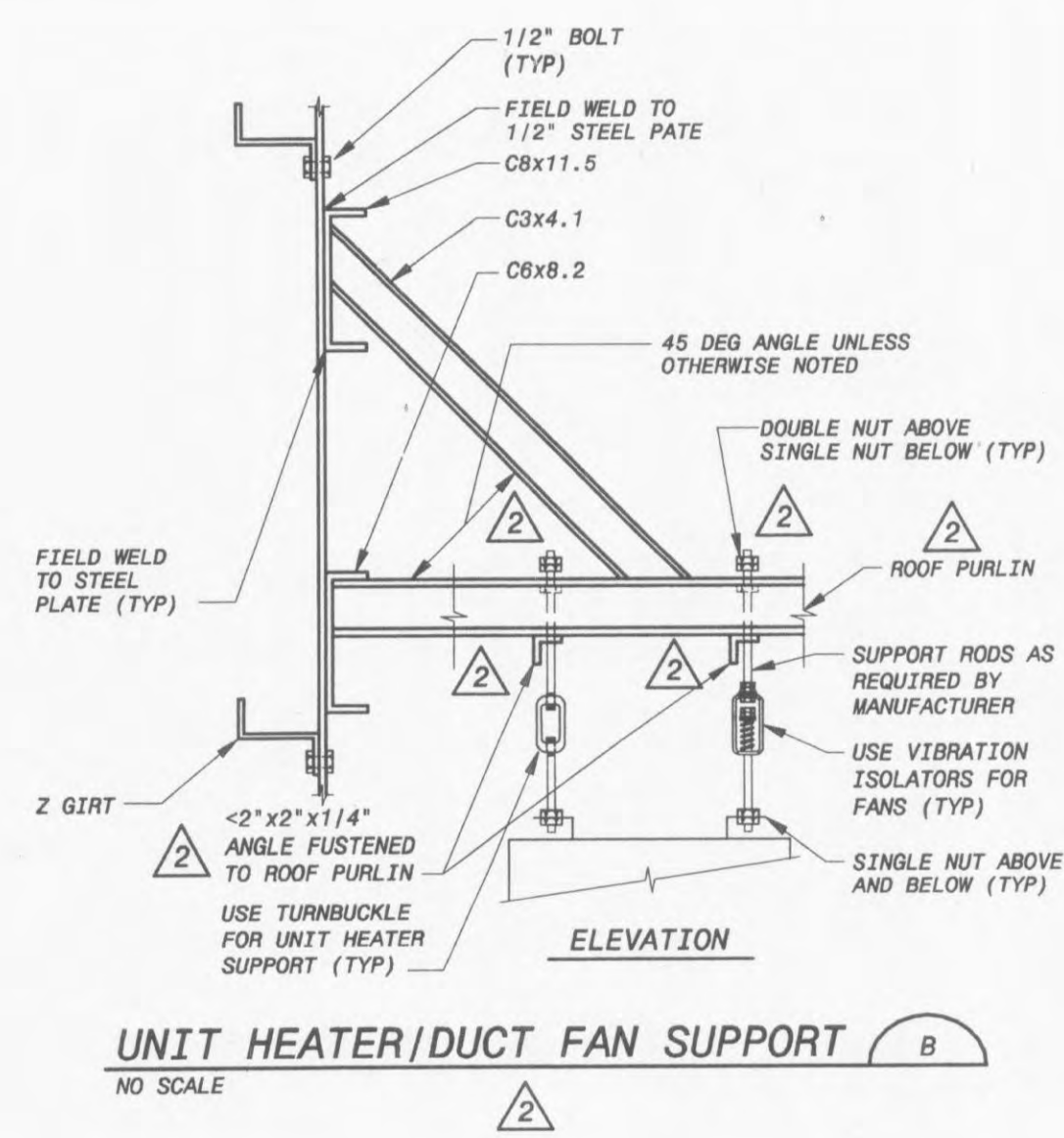
097515
097515



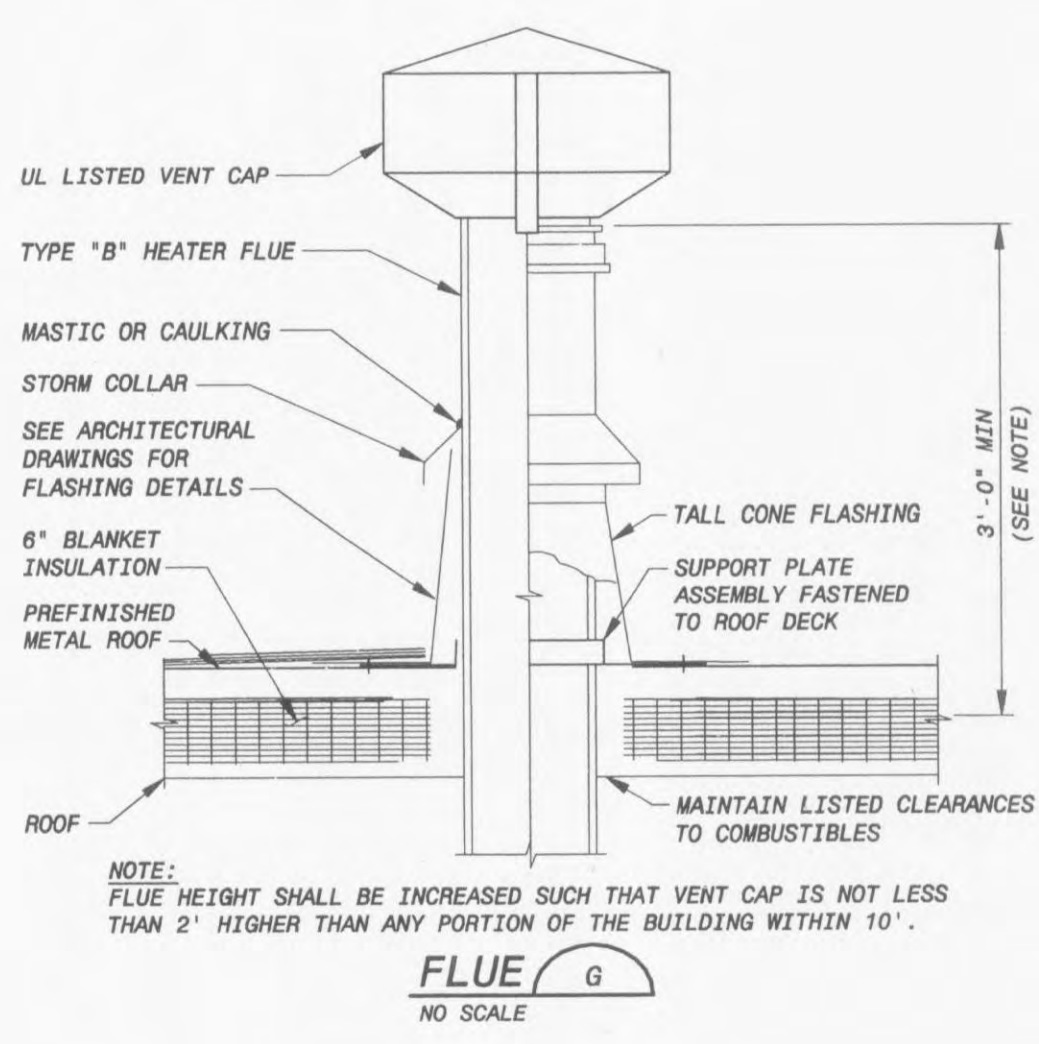
PROPELLER FAN E
NO SCALE



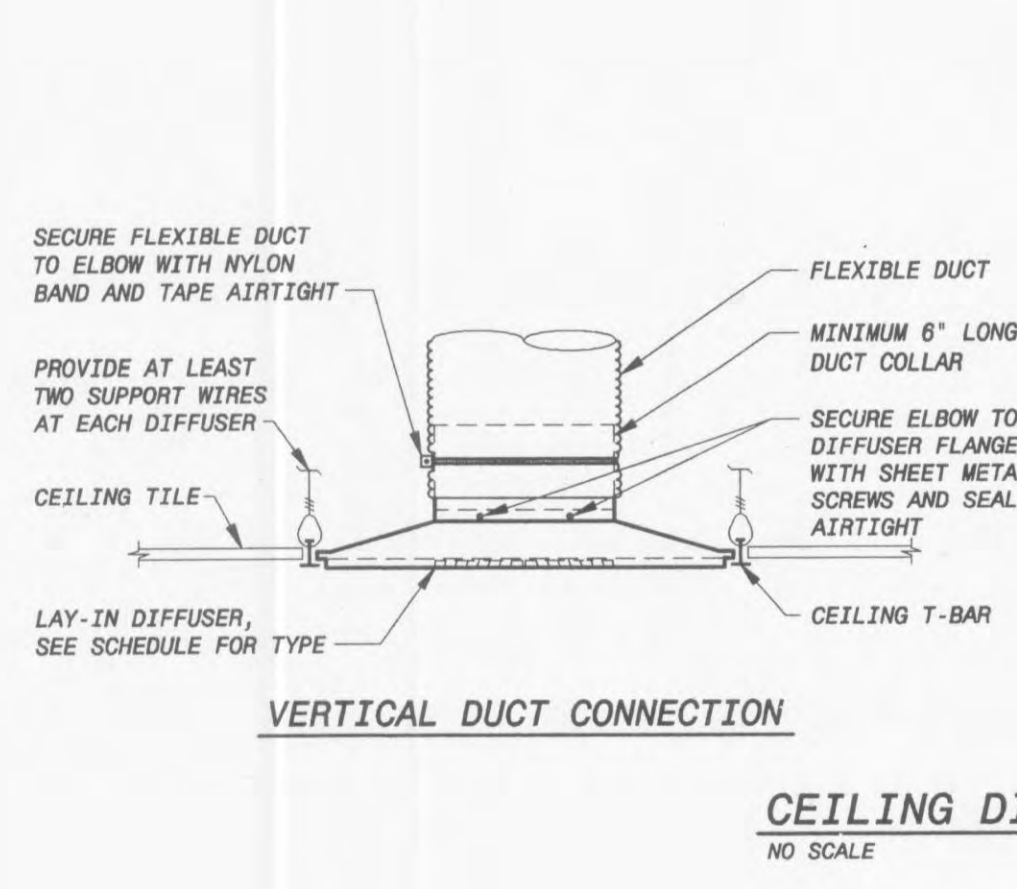
REGISTER/GRILLE F
NO SCALE



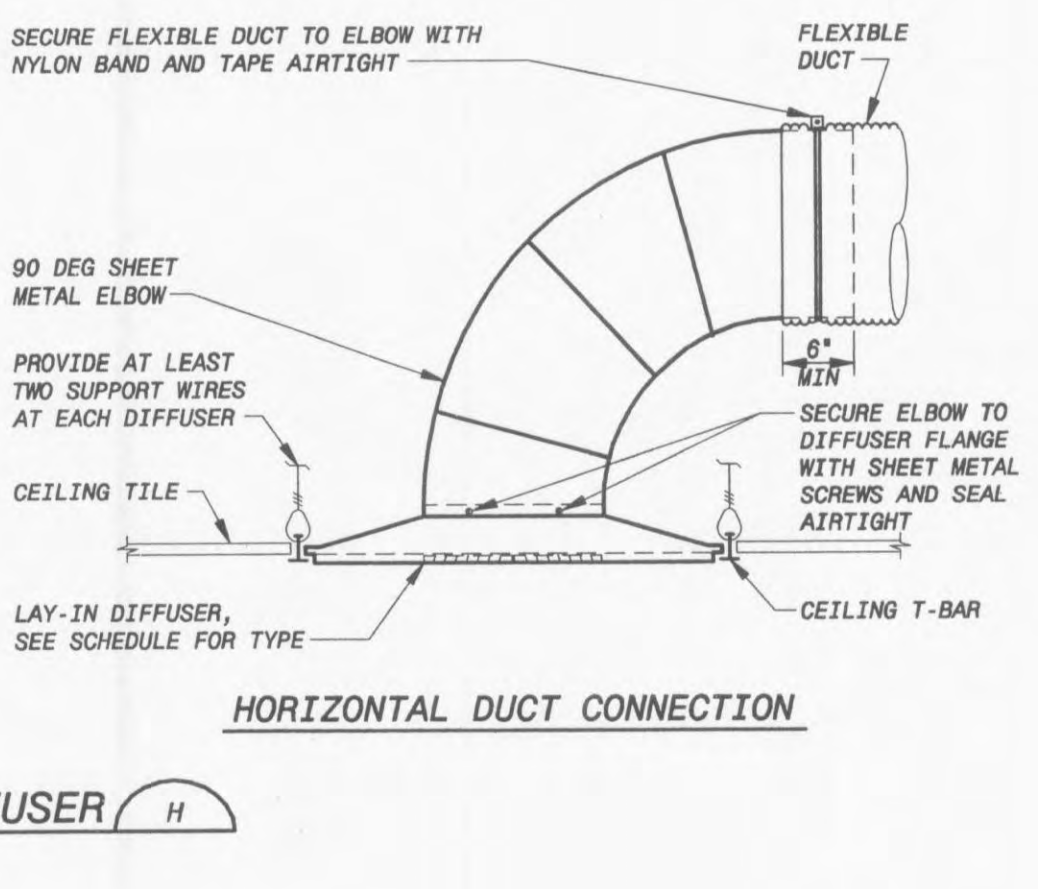
UNIT HEATER/DUCT FAN SUPPORT B
NO SCALE



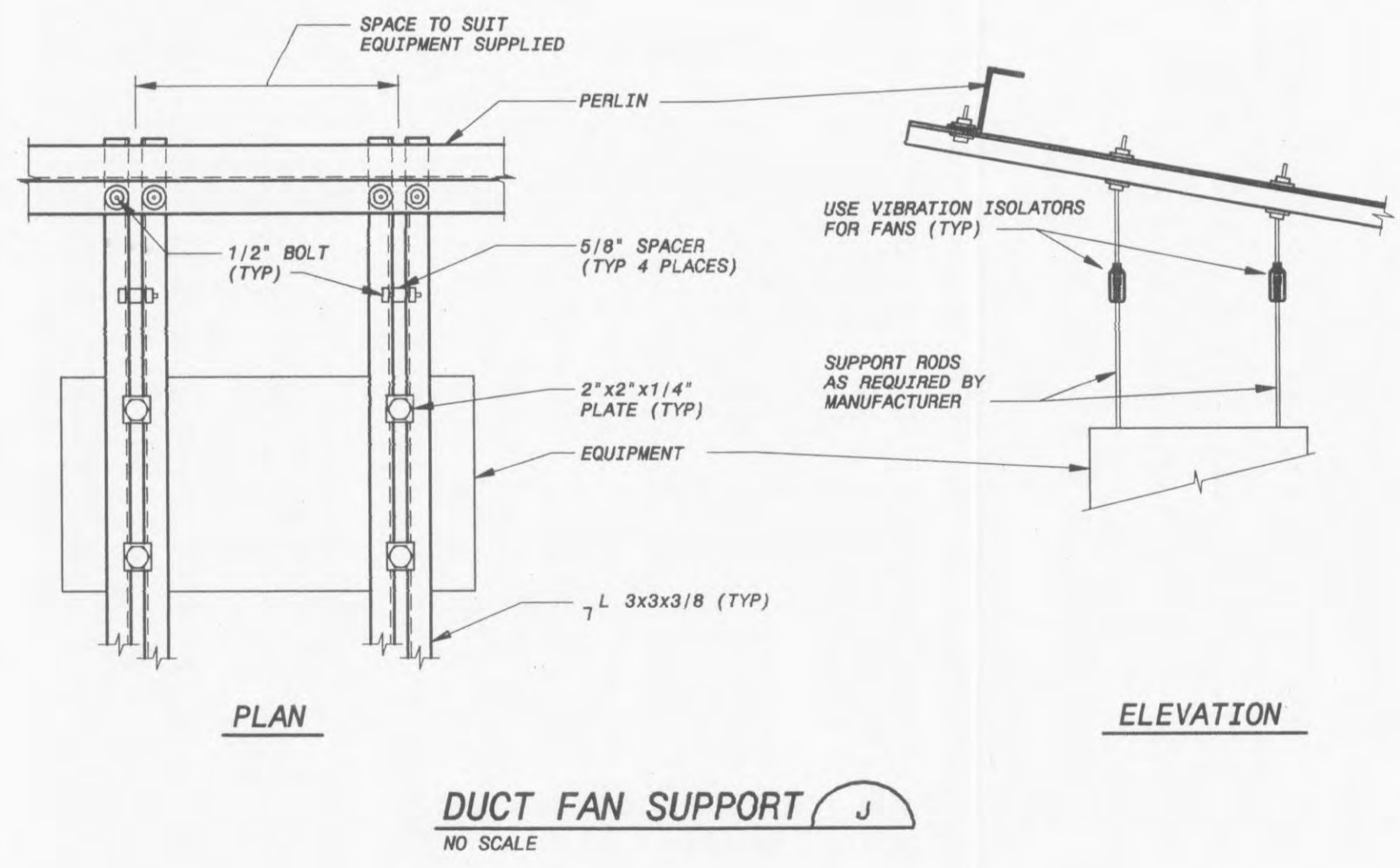
FLUE G
NO SCALE



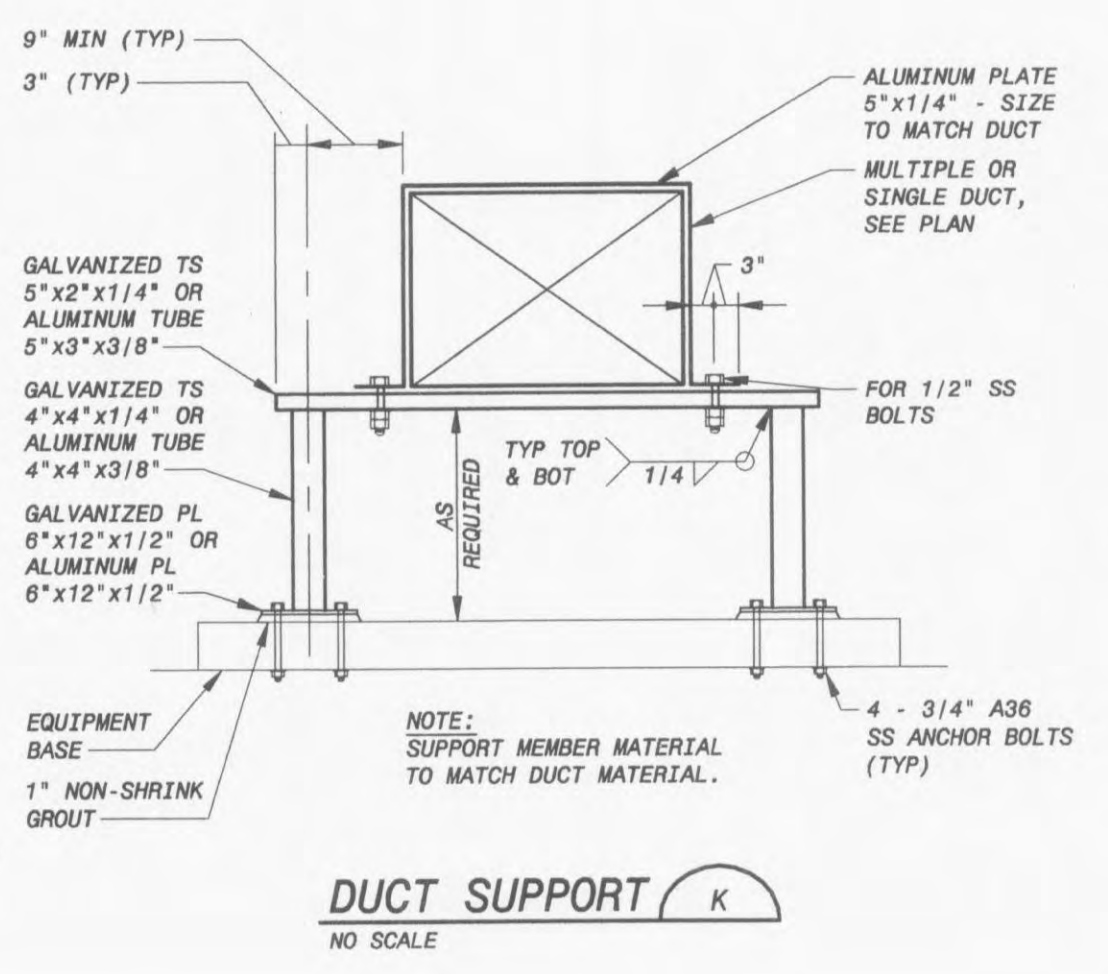
CEILING DIFFUSER H
NO SCALE



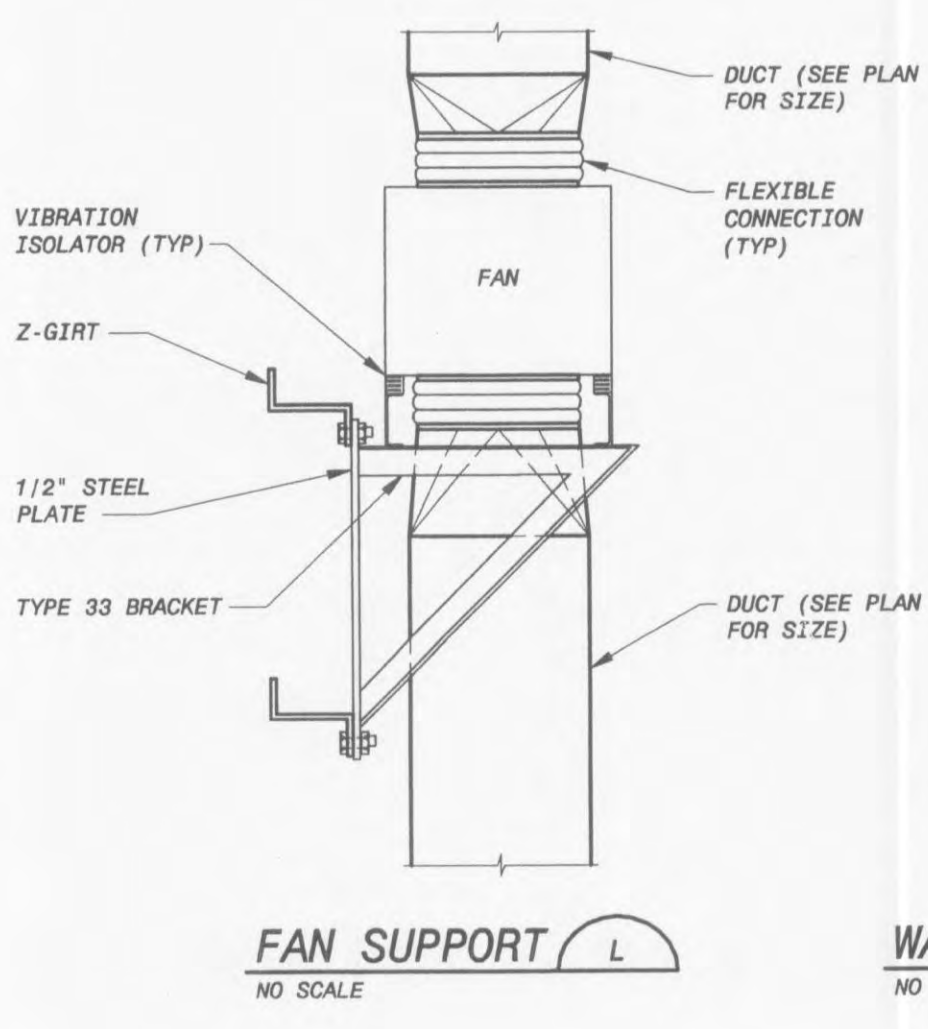
HORIZONTAL DUCT CONNECTION



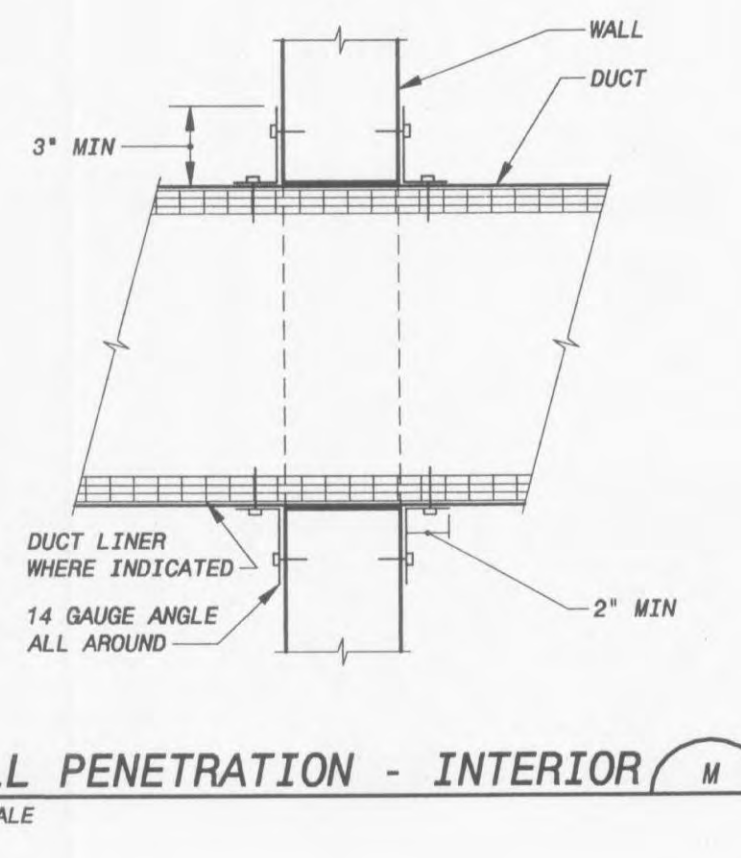
DUCT FAN SUPPORT J
NO SCALE



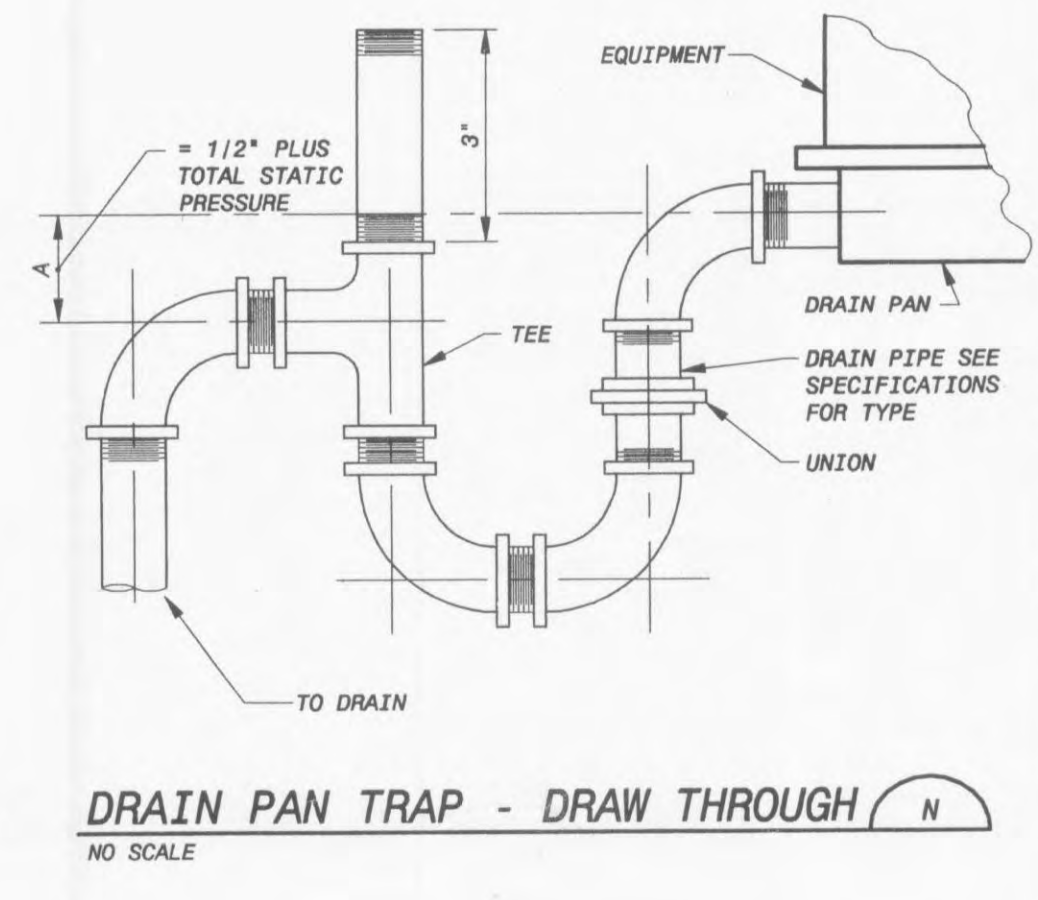
DUCT SUPPORT K
NO SCALE



FAN SUPPORT L
NO SCALE



WALL PENETRATION - INTERIOR M
NO SCALE



DRAIN PAN TRAP - DRAW THROUGH N
NO SCALE

NO.	DATE	REVISIONS AND RECORD OF ISSUE	NO.	BY
2			1	CK APP
CONFORMED TO CONSTRUCTION RECORDS				
ADDENDUM				
DATE	CYONET ID:	REVISED BY	DATE	NO.
	97515-900-H-70000003J	DAVID W. NELSON	10/08/01	1
	17444269, 10/26/2004 1:03:52 PM			
	DWG VER #: 7.0			
	PLOTTED: 17444269, 10/26/2004 1:03:22 PM			
	USER: 17444269			
	SW: ACAD-2000			

* THIS DRAWING WAS ORIGINALLY APPROVED FOR CONSTRUCTION BY THE CITY OF FALLON, MISSOURI, BY DAVID W. NELSON, A LICENSED PROFESSIONAL ENGINEER IN THE STATE OF MISSOURI, NO. E-29940.

BLACK & VEATCH Corporation
St. Louis, Missouri

CITY OF FALLON, MISSOURI
WATER TREATMENT PLANT
MECHANICAL - HVAC
DETAILS AND SECTIONS

DESIGNED:	TRD
DETAILED:	JMC, LDW
CHECKED:	DWN
APPROVED:	DWN
DATE:	10/08/01
PROJECT NO.:	97515

L3