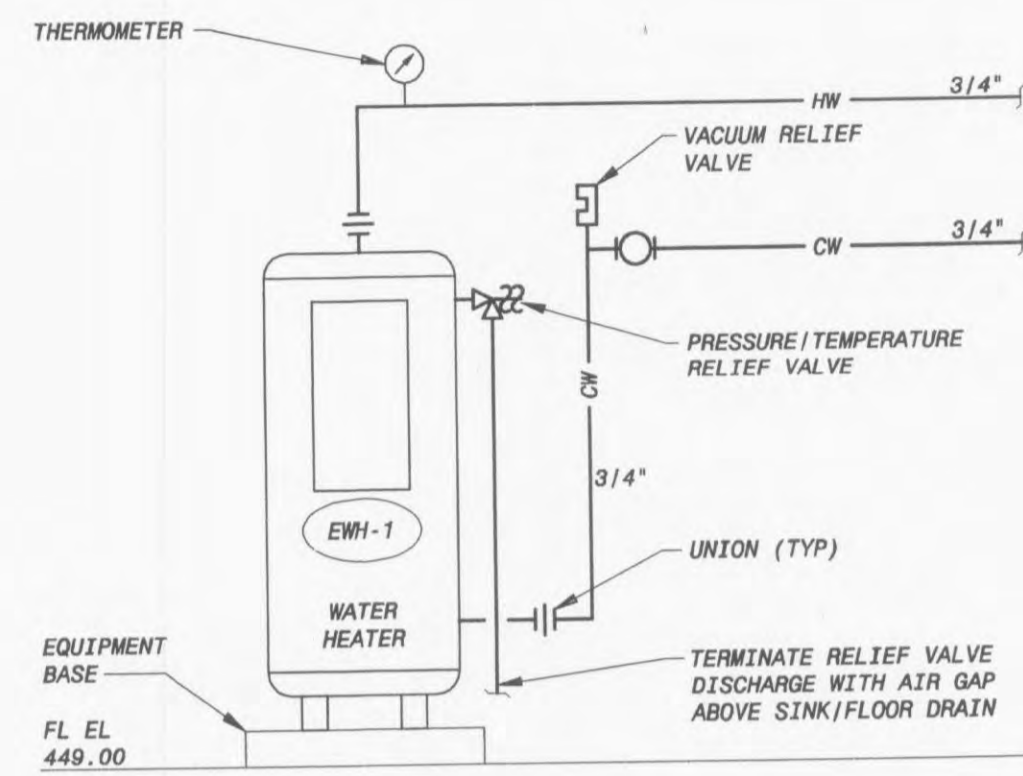
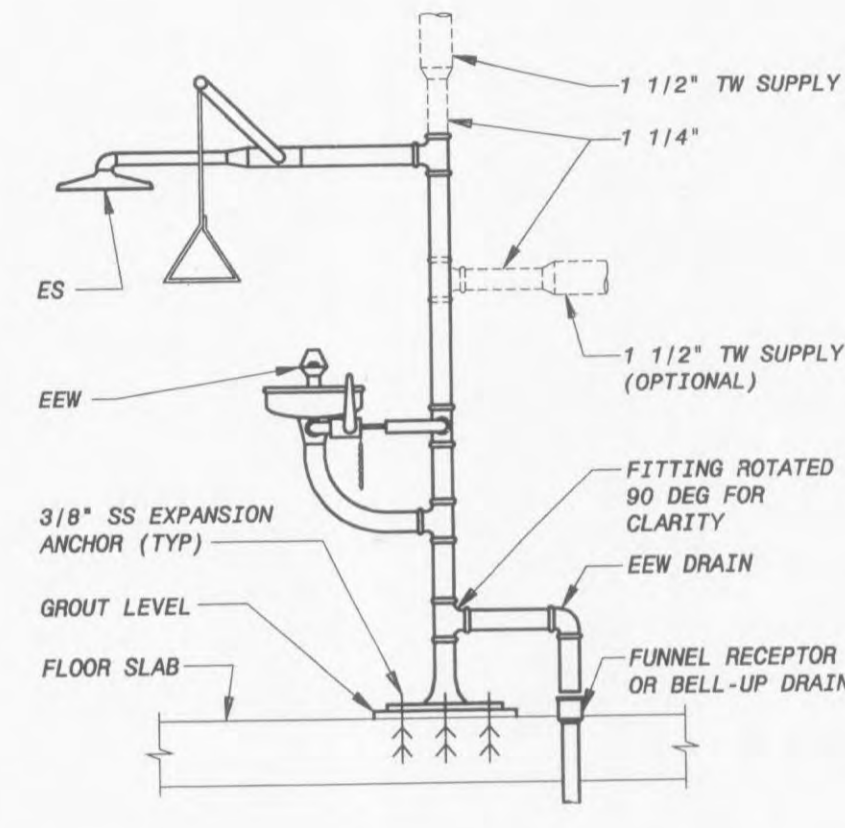


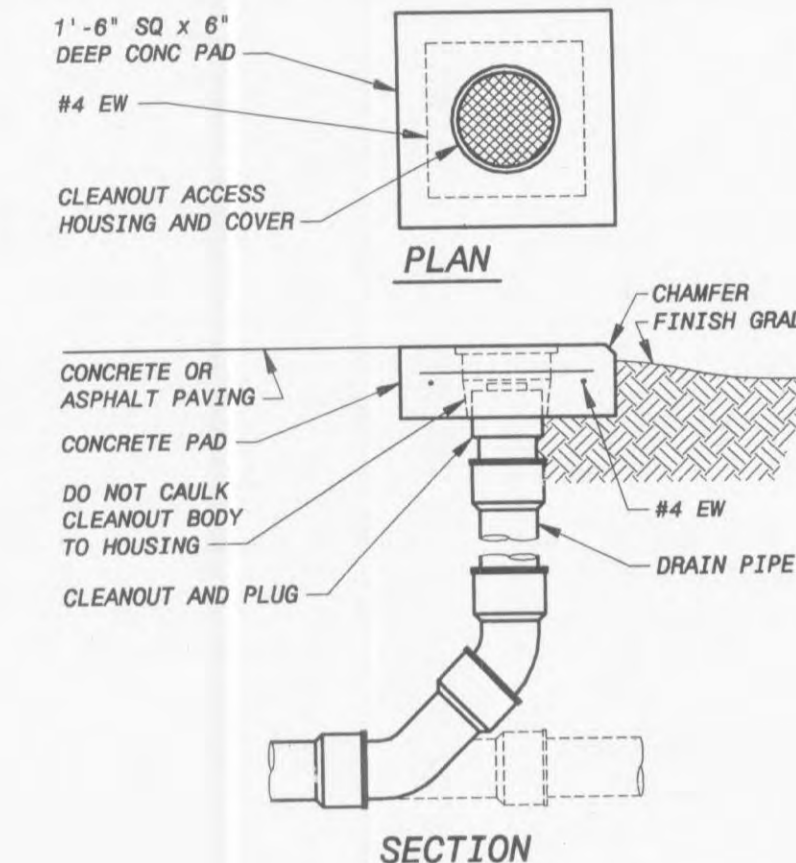
WATER STORAGE TANK PIPING SCHEMATIC (A)
NO SCALE



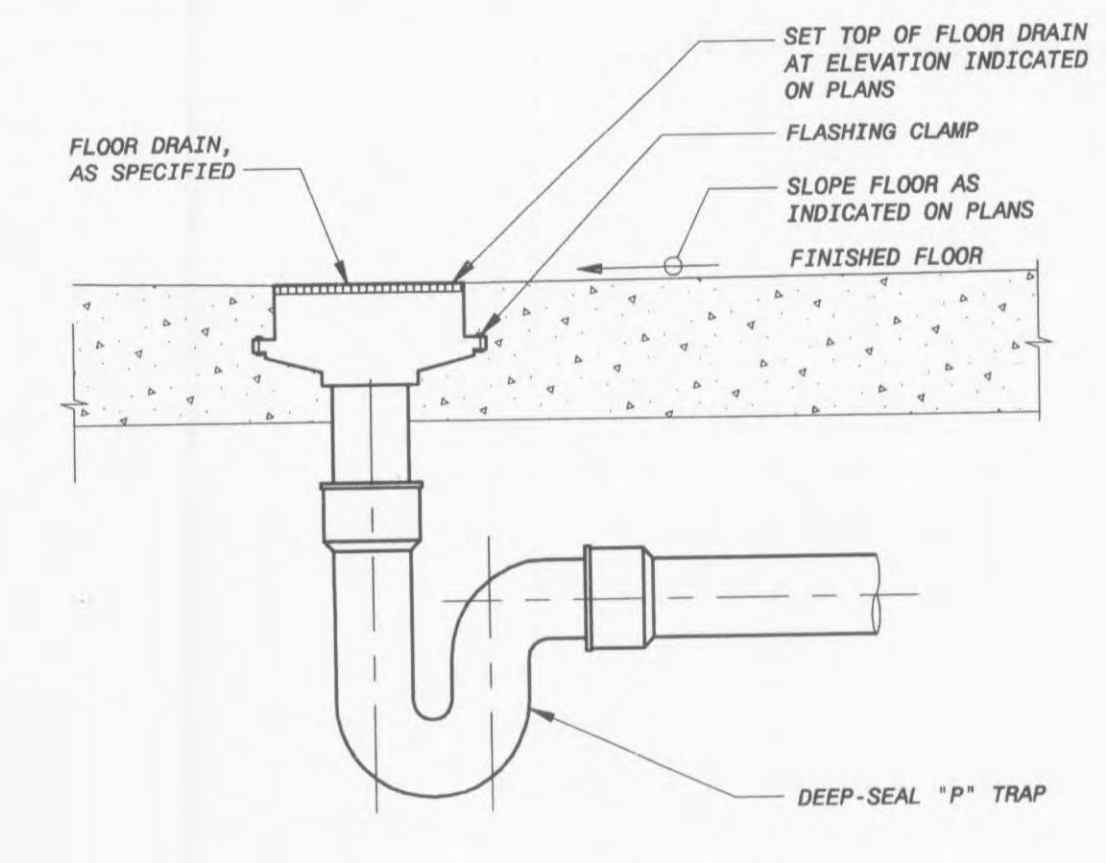
WATER HEATER PIPING SCHEMATIC (B)
NO SCALE



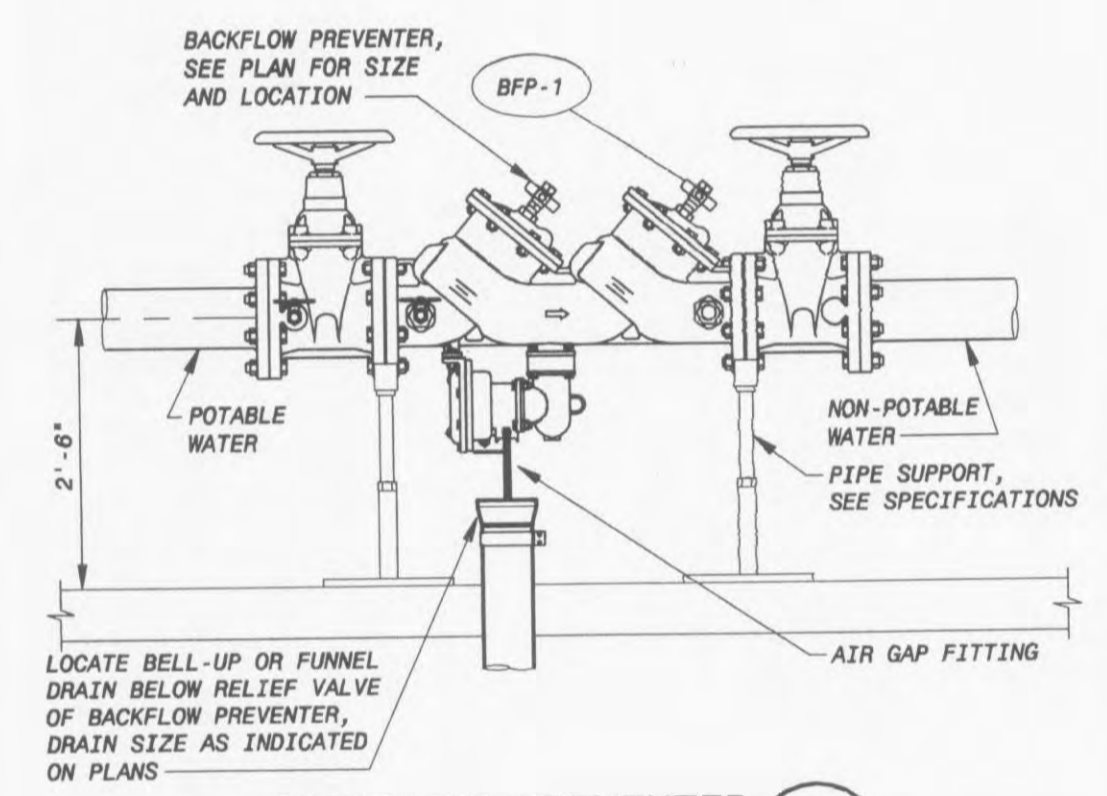
EMERGENCY SHOWER AND EYE WASH (C)
NO SCALE



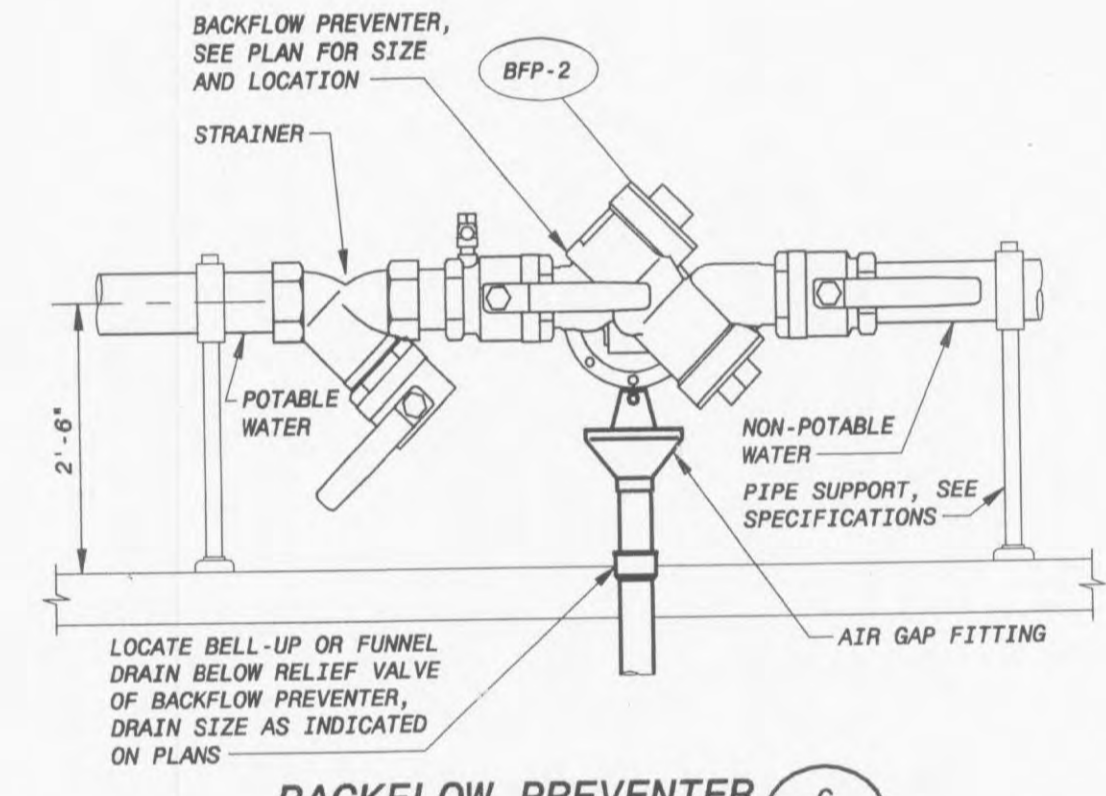
CLEANOUT (D)
NO SCALE



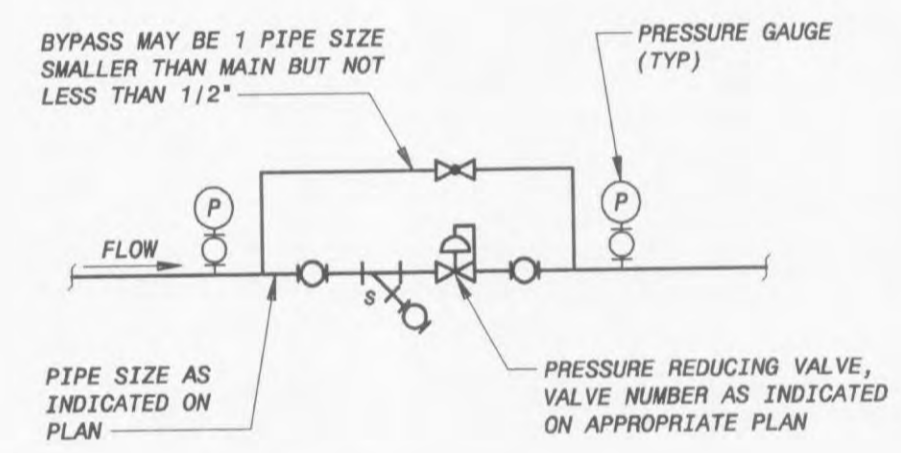
FLOOR DRAIN (E)
NO SCALE



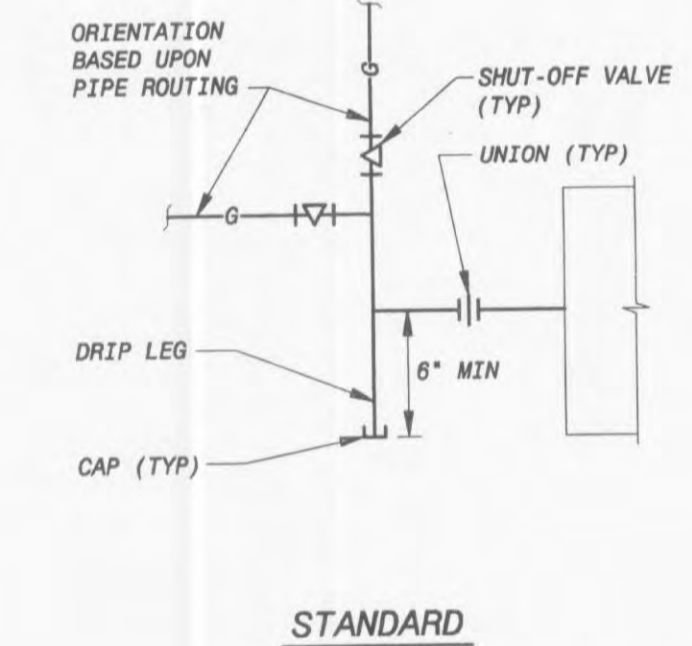
BACKFLOW PREVENTER (F)
NO SCALE



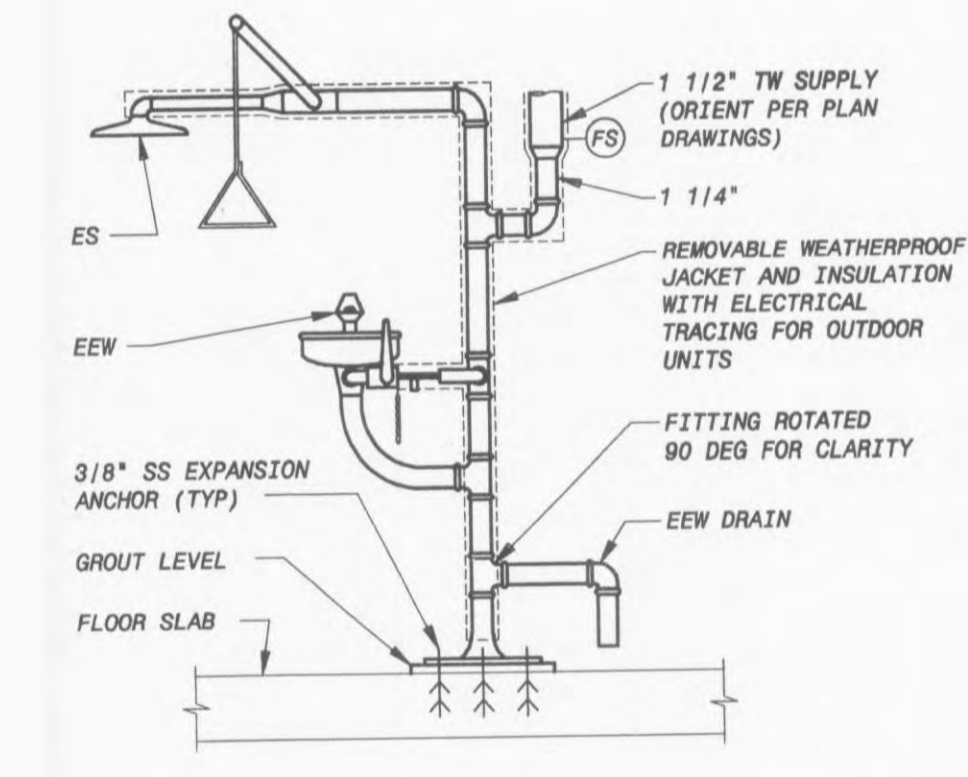
BACKFLOW PREVENTER (G)
NO SCALE



PRESSURE REDUCING STATION (H)
NO SCALE



FUEL GAS PIPING CONNECTION AT EQUIPMENT (I)
NO SCALE



EMERGENCY SHOWER AND EYE WASH (J)
NO SCALE

PLUMBING FIXTURE SCHEDULE

LABEL	DESCRIPTION	MANUFACTURER/MODEL	WATER		SANITARY		REMARKS
			HOT	COLD	WASTE	VENT	
WC	WATER CLOSET, FLOOR MOUNT, TANK TYPE, 1.6 GALLON/FLUSH MAX.	KOHLER K-3427-U HIGHLINE	-	1 1/2"	4"	2"	1
LAV	LAVATORY, WALL HUNG 21"x18", WITH 1.5 GPM AERATED FAUCET AND POP-UP DRAIN.	LAVATORY - KOHLER K-2005 KINGSTON FAUCET - KOHLER K-15583 CORALAIS	1/2"	1/2"	1 1/2"	1 1/2"	1
MS	MOP SINK, 32"x32", 12" DEEP, FLOOR MOUNTED, TWO SPLASH PANELS.	SINK - WILLTAMS HL-1900-BP2 FAUCET - KOHLER K-8907	1/2"	1/2"	3"	2"	
LS	LAB SINK, SEE LABORATORY SPECIFICATION SECTION FOR DETAILS.		1/2"	1/2"	1 1/2"	1 1/2"	
SH	BUILT-UP SHOWER UNIT, WITH WALL/HAND SHOWER, FLEXIBLE HOSE, AND SLIDE BAR, 2.5 GPM MAXIMUM FLOW.	SYMMONS S-96-300 B24	1/2"	1/2"	-	-	1
EWC-1	ELECTRIC WATER COOLER, WALL MOUNTED, 8 GPH, 120 VOLT, 1 PHASE, 60 HZ, WITH GLASSFILLER.	COOLER - ELKAY EZS-8 GLASSFILLER - ELKAY LK-1110	-	1/2"	1 1/2"	1 1/2"	1
ES	EMERGENCY SHOWER, VERTICAL, 1" IPS SUPPLY.	HAWS-8133V	-	1"	-	-	
ES/EW-1	EMERGENCY SHOWER/EYE/FACE WASH COMBINATION, PEDESTAL MOUNTED, 1 1/4" IPS SUPPLY.	HAWS-8346	-	1 1/4"	-	-	
ES/EW-2	EMERGENCY SHOWER/EYE/FACE WASH COMBINATION, FROST PROOF TO -30 DEG F, PEDESTAL MOUNTED, 1 1/4" IPS SUPPLY, 120 VOLT.	HAWS-8317	-	1 1/4"	-	-	
ES/EW-3	EMERGENCY SHOWER/EYE/FACE WASH COMBINATION, PEDESTAL MOUNTED, CORROSION RESISTANT, 1 1/4" IPS SUPPLY.	HAWS-8336	-	1 1/4"	-	-	

REMARKS: 1 - FIXTURE AND INSTALLATION SHALL BE ADA COMPLIANT.
2 - ALARM SYSTEM

PRESSURE REDUCING VALVE SCHEDULE

UNIT NUMBER	SERVICE	TYPE	FLOW RATE			REDUCED PRESSURE SETPOINT	INLET PRESSURE		MINIMUM PRESSURE AT MAXIMUM FLOW	REMARKS
			MAXIMUM	ORD	MINIMUM		MAXIMUM	MINIMUM		
W-1	SVW SUPPLY	PO	325	325	325	80 PSIG	130 PSIG	100 PSIG	76 PSIG	
W-2	NPW SUPPLY	DA	16	8	4	80 PSIG	130 PSIG	100 PSIG	66 PSIG	
W-3	CW SUPPLY	DA	47	17	0	80 PSIG	130 PSIG	100 PSIG	68 PSIG	
G-1	NATURAL GAS SUPPLY	DA	1110	360	0	11" WC	2 PSIG	1.8 PSIG	9" WC	

TYPE NOTES: DA - DIRECT ACTING
PO - PILOT OPERATED

FLOW RATE UNITS: GAS - SCFH
AIR - SCFM
WATER - GPM

ORD - INDICATES ORDINARY FLOW RATE

REMARKS:

PLUMBING PIPING ACCESSORIES SCHEDULE

LABEL	DESCRIPTION	MANUFACTURER MODEL	REMARKS
FD-1	MEDIUM DUTY CAST IRON FLOOR DRAIN, ADJUSTABLE TOP, LOOSE SET CAST IRON GRATE	SMITH 2310 SERIES	
FD-2	MEDIUM DUTY CAST IRON FLOOR DRAIN, ADJUSTABLE TOP, NICKEL BRONZE ROUND GRATE	SMITH 2005 SERIES	
FD-3	MEDIUM DUTY CAST IRON FLOOR DRAIN, ADJUSTABLE TOP, NICKEL BRONZE ROUND GRATE W/ TRAP PRIMER	SMITH 2005-A SERIES	
FD-4	MEDIUM DUTY CAST IRON FLOOR DRAIN, ADJUSTABLE TOP, DOME GRATE	SMITH 2310-D SERIES	
FD-5	HEAVY DUTY CAST IRON FLOOR DRAIN, 12" DIAMETER TRACTOR GRATE	SMITH 2141 SERIES	
FCO-1	HEAVY DUTY FLOOR CLEANOUT, SECURED ROUND ADJUSTABLE NICKEL BRONZE TOP	SMITH 4100 SERIES	
FCO-2	HEAVY DUTY FLOOR CLEANOUT WITH TRACTOR COVER	SMITH 4239 SERIES	

BACKFLOW PREVENTER SCHEDULE

UNIT NUMBER	SERVICE	BODY SIZE (IN)	MAXIMUM FLOW (GPM)	MAXIMUM PD (PSI)	MANUFACTURER/MODEL	REMARKS
BFP-1	FILTER SERVICE WASH	4	325	13	FEBCO/MODEL 860	
BFP-2	NPW SUPPLY	1	16	13	FEBCO/MODEL 860	

REMARKS:

PLUMBING EQUIPMENT SCHEDULE

UNIT NUMBER	DESCRIPTION	MANUFACTURER MODEL	REMARKS
EWH-1	ELECTRIC WATER HEATER, COMMERCIAL GRADE, 52 GALLONS STORAGE, 85 GPH RECOVERY AT 100 F RISE, 12 KW, 480 VOLT, 3 PHASE, 60 HZ	STATE SB6-50-12-IFE-ASME-NSF	
NT-1	NEUTRALIZATION TANK, 5 GALLON, 2" INLET AND OUTLET, 2" VENT CONNECTION	ORION STYLE 9	1

REMARKS: 1. PROVIDE INLET/ OUTLET AND VENT PORT ORIENTATIONS AS INDICATED ON SH K2.

NO.	BY	CHK	APP
2			
1			

CONFORMED TO CONSTRUCTION RECORDS

ADDENDUM

DATE

REVISIONS AND RECORD OF ISSUE

CYONET ID: 97515-300-PB-7000069F

SAVED: BOW4813, 3/26/2003 7:47:15 AM

DWG VER #: 7.0

PLOTTED: 1/14/2004 3:44:56 PM

USER: BOW4813

SWT: ACAD-2002L

THIS DRAWING WAS ORIGINALLY APPROVED FOR CONSTRUCTION BY DAVID W. NELSON, P.E., AND SEALED BY DAVID W. NELSON, A LICENSED PROFESSIONAL ENGINEER IN THE STATE OF MISSOURI, NO. E-28940



CITY OF O'FALLON, MISSOURI
WATER TREATMENT PLANT

MECHANICAL - PLUMBING SCHEDULES AND DETAILS

DESIGNED: BCD
 DETAILED: BDL, JMC
 CHECKED: MLP
 APPROVED: DWN
 DATE: 10/08/01

PROJECT NO.
97515

K5

SHEET
 50 OF 96