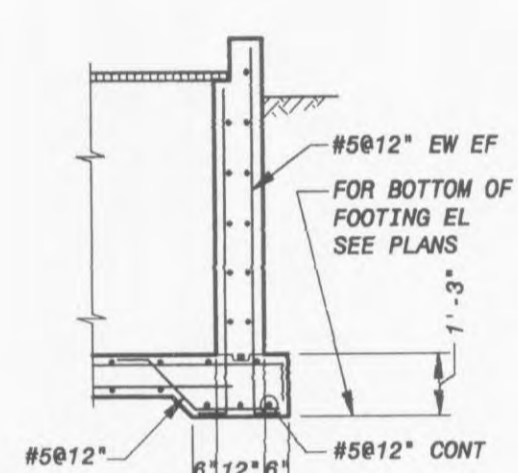


TYPICAL AT ALL HORIZONTAL & VERTICAL JOINTS BELOW EL 448.00

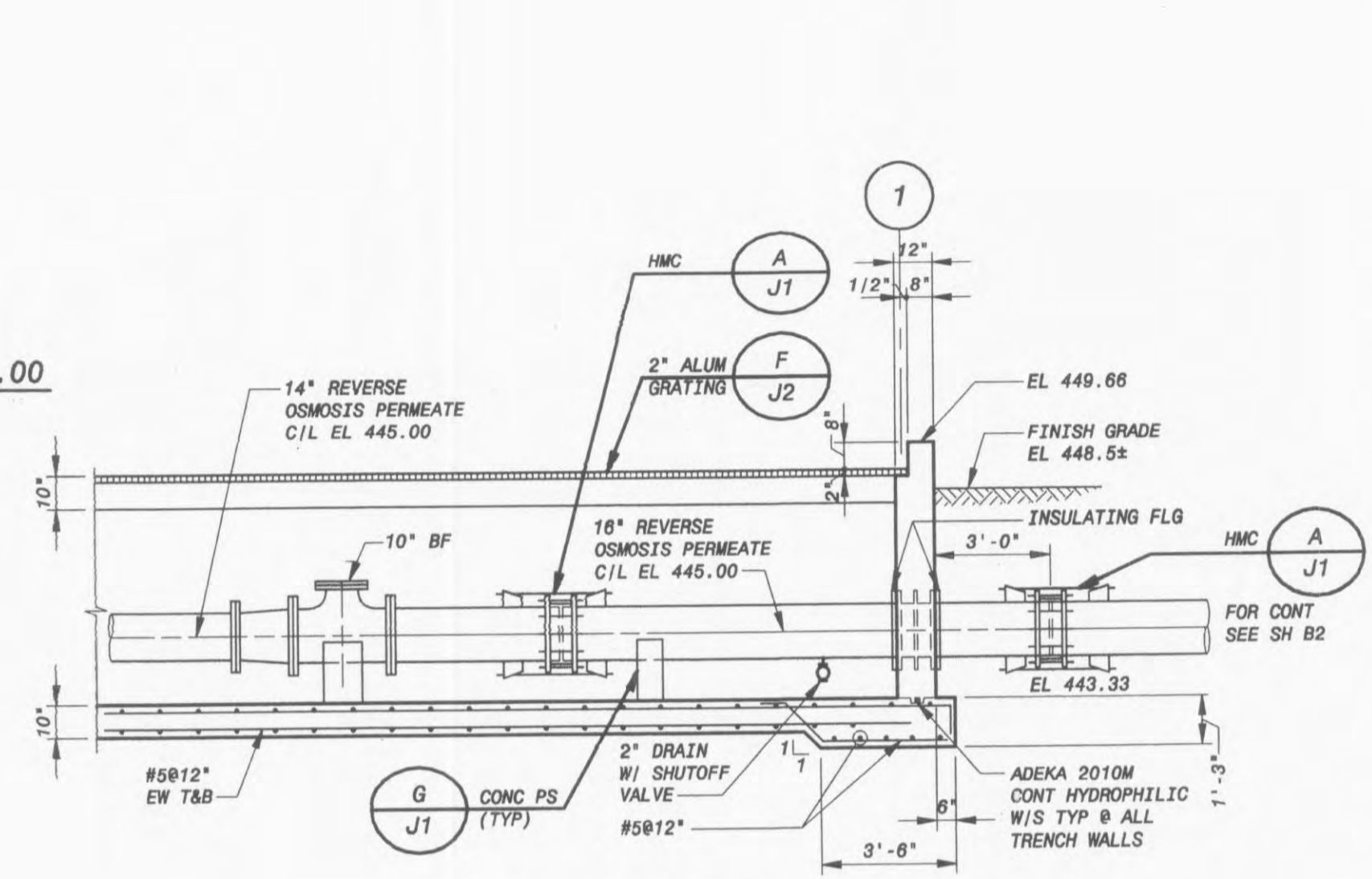
TYP WATERSTOP DETAIL

1/2" = 1'-0"

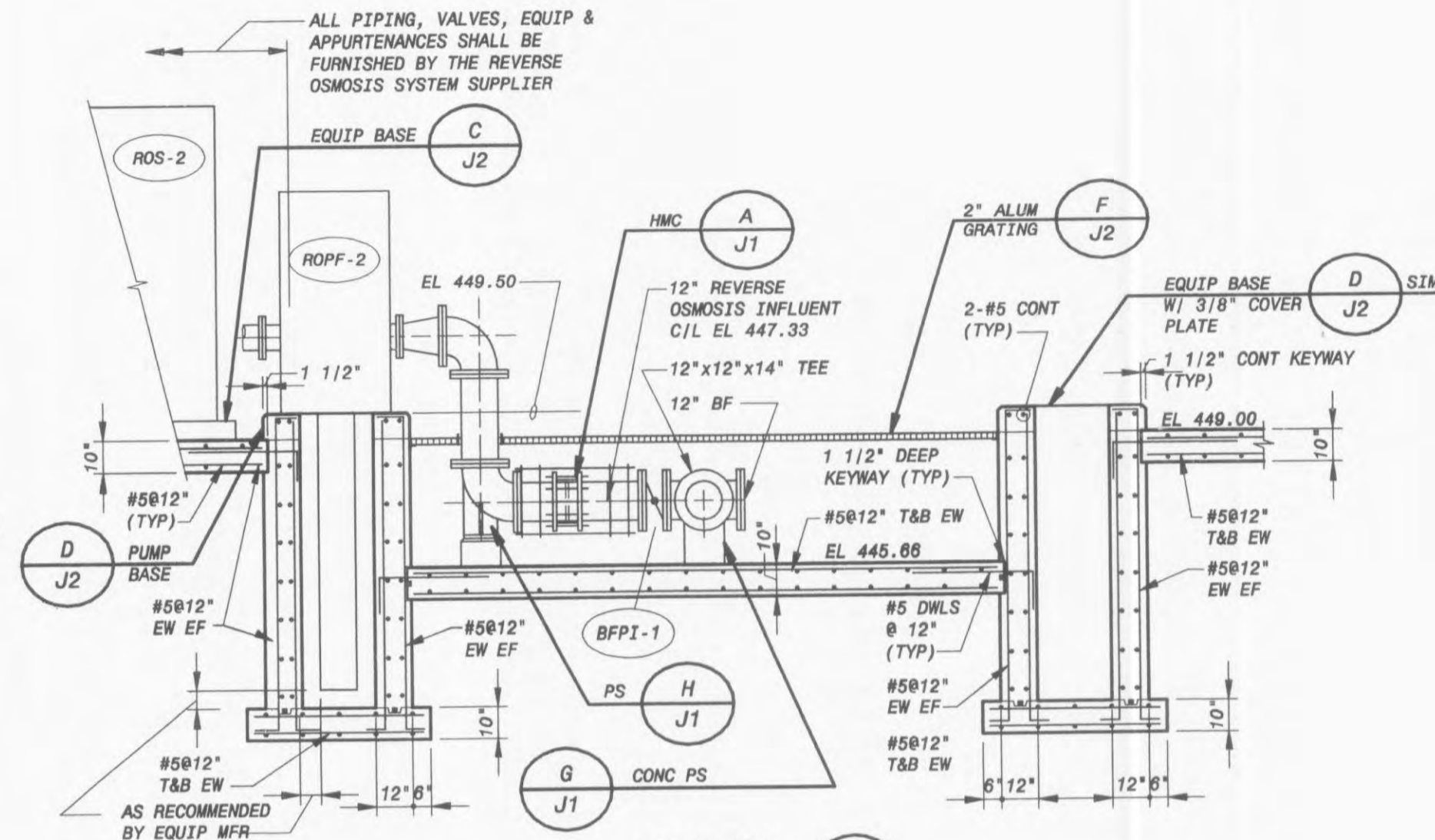


TYP 12" EXTERIOR WALL AT TRENCH

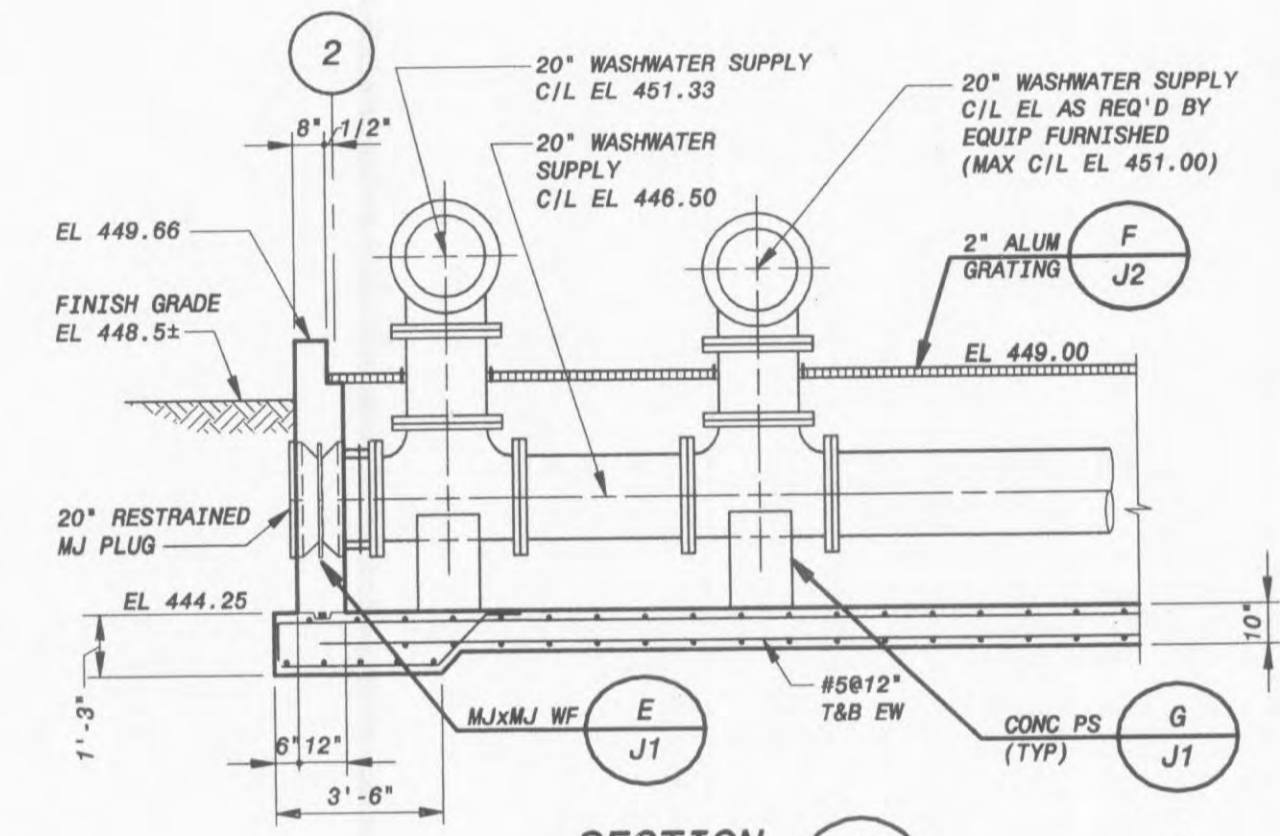
1/4" = 1'-0"



SECTION 1  
1/4" = 1'-0" (D1, D3)

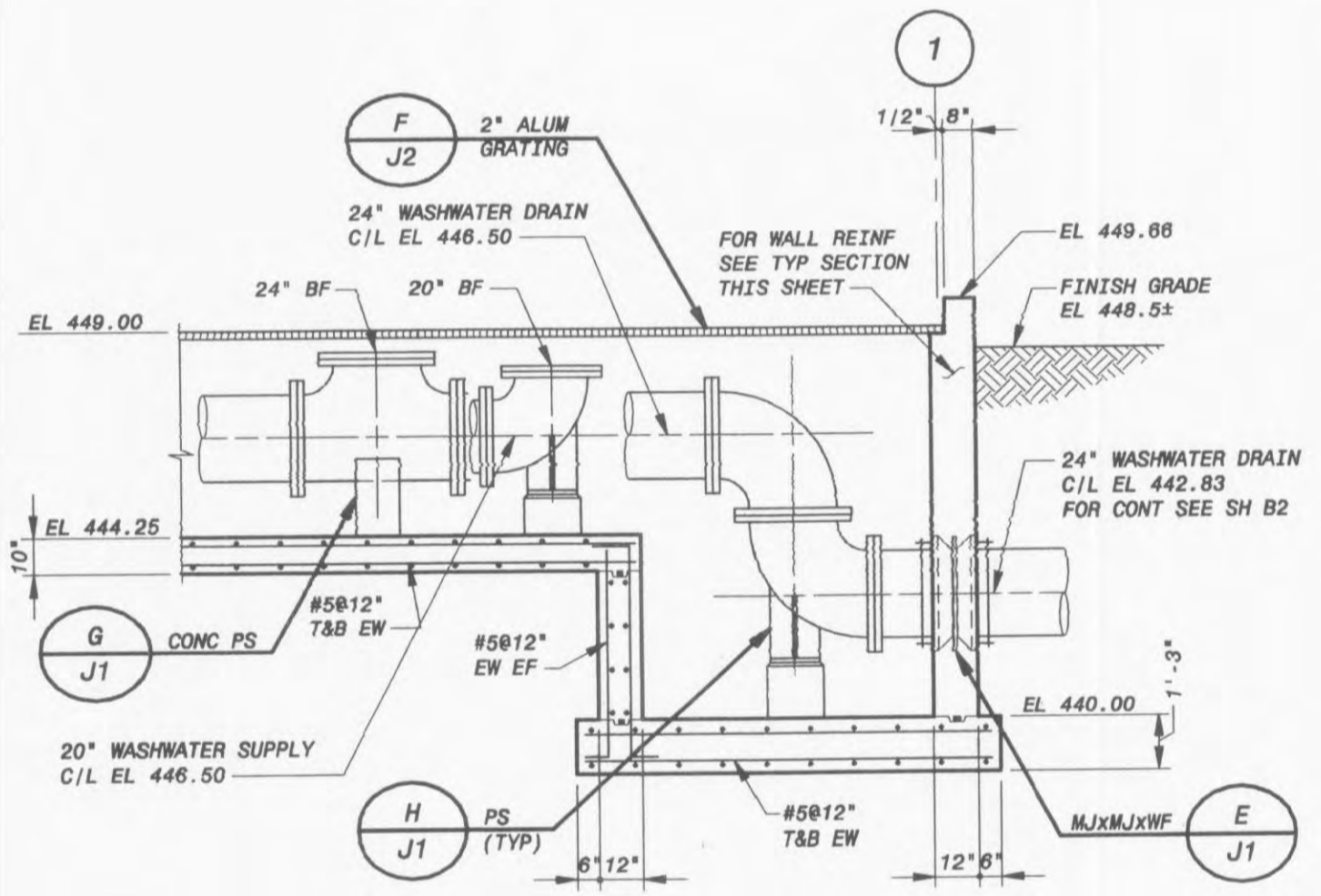


SECTION 2  
1/4" = 1'-0" (D1, D3)

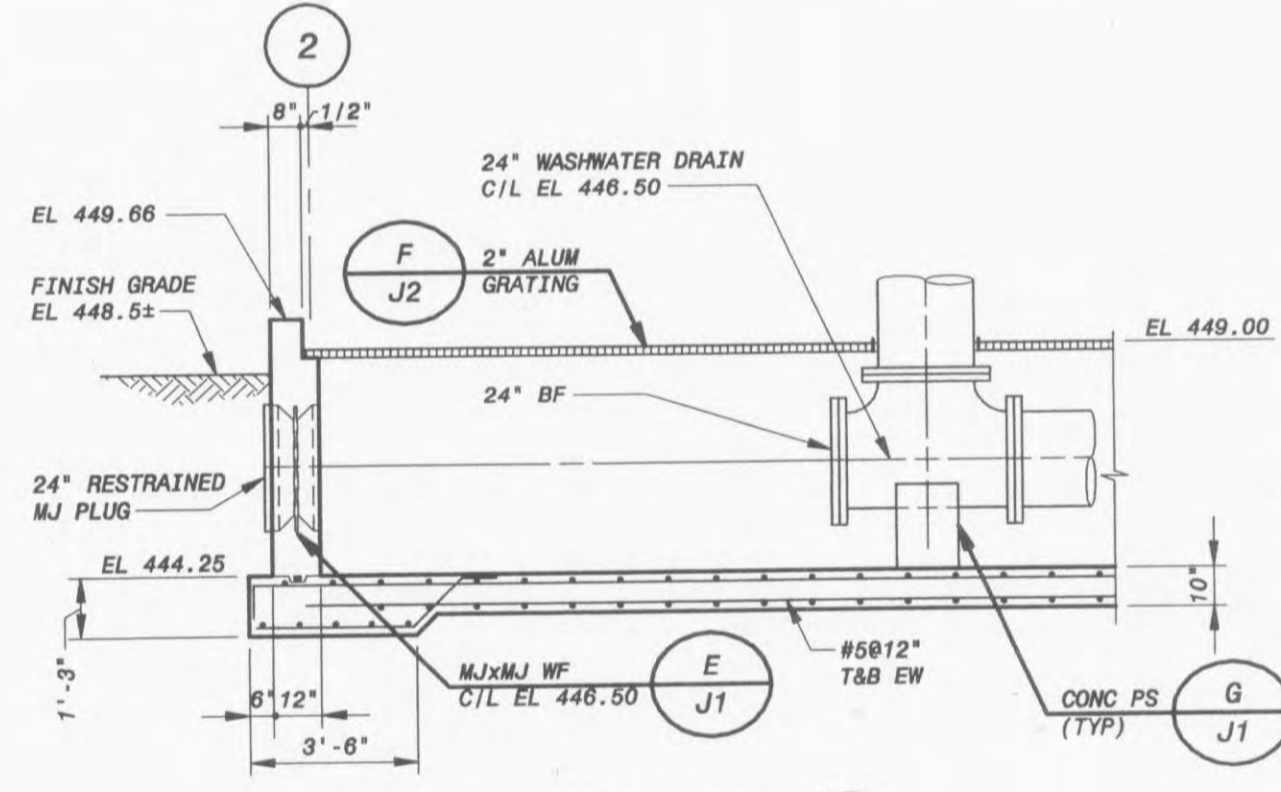


SECTION 3  
1/4" = 1'-0" (D1, D3)

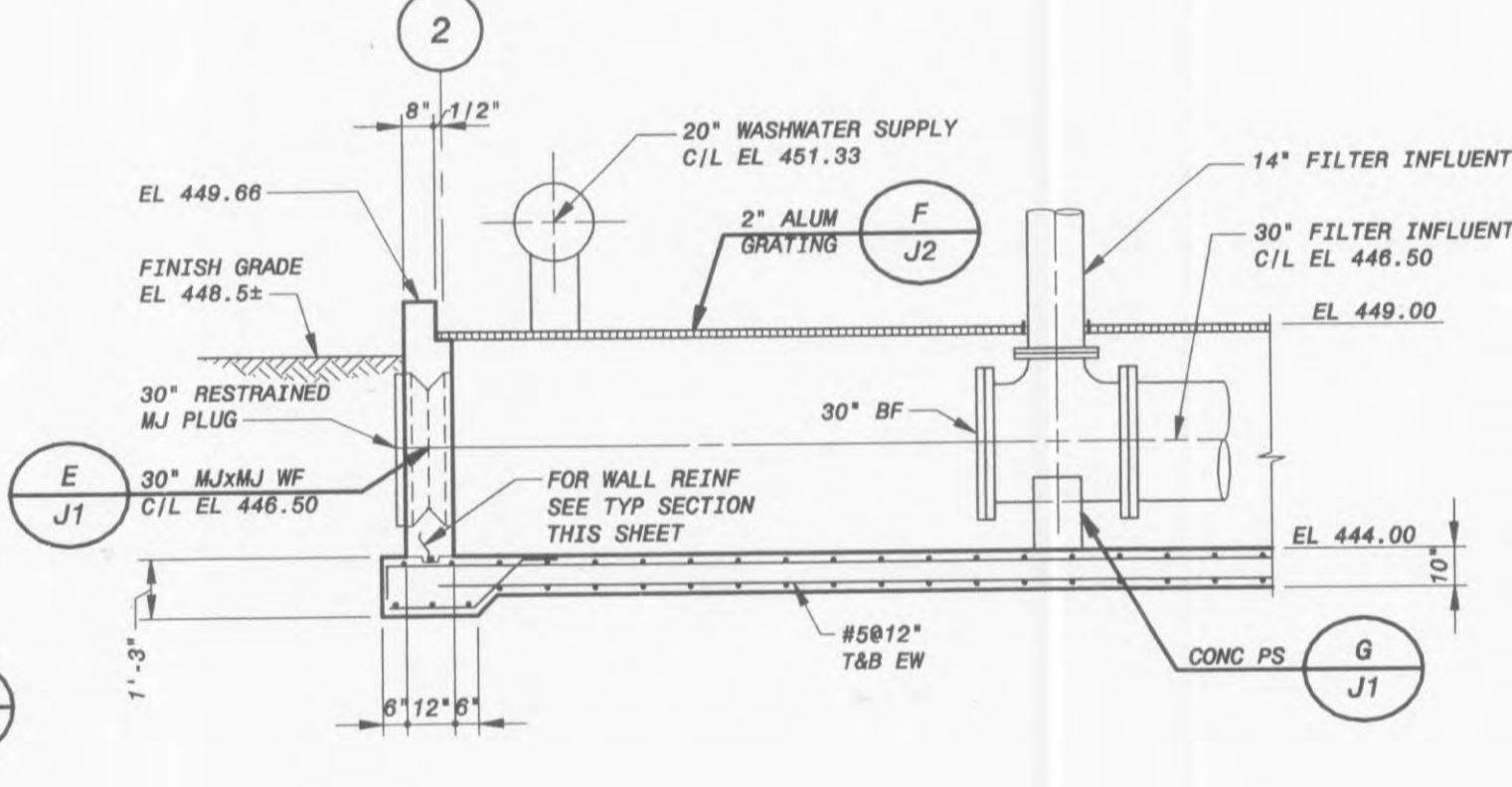
\*THIS DRAWING WAS ORIGINALLY APPROVED FOR CONSTRUCTION BY JAMES G. WINGER ON 10/08/01 AND SEALED BY WILLIAM F. RILEY BY WILLIAM F. RILEY, A LICENSED PROFESSIONAL ENGINEER IN THE STATE OF MISSOURI, NO. E-25004.



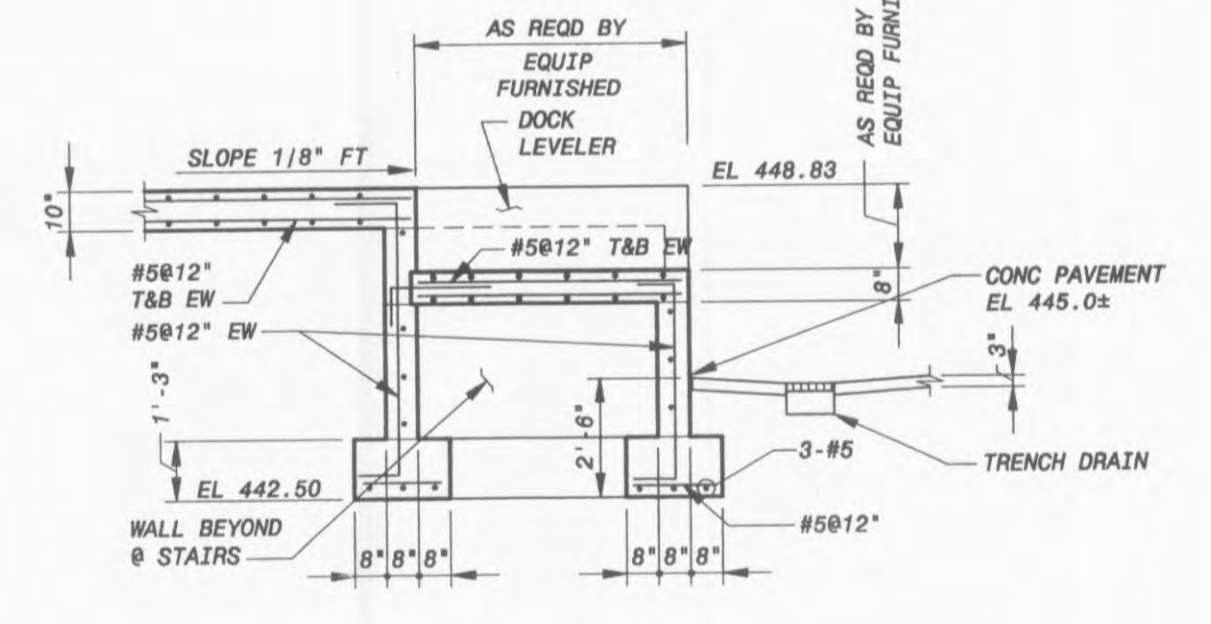
SECTION 4  
1/4" = 1'-0" (D1, D3)



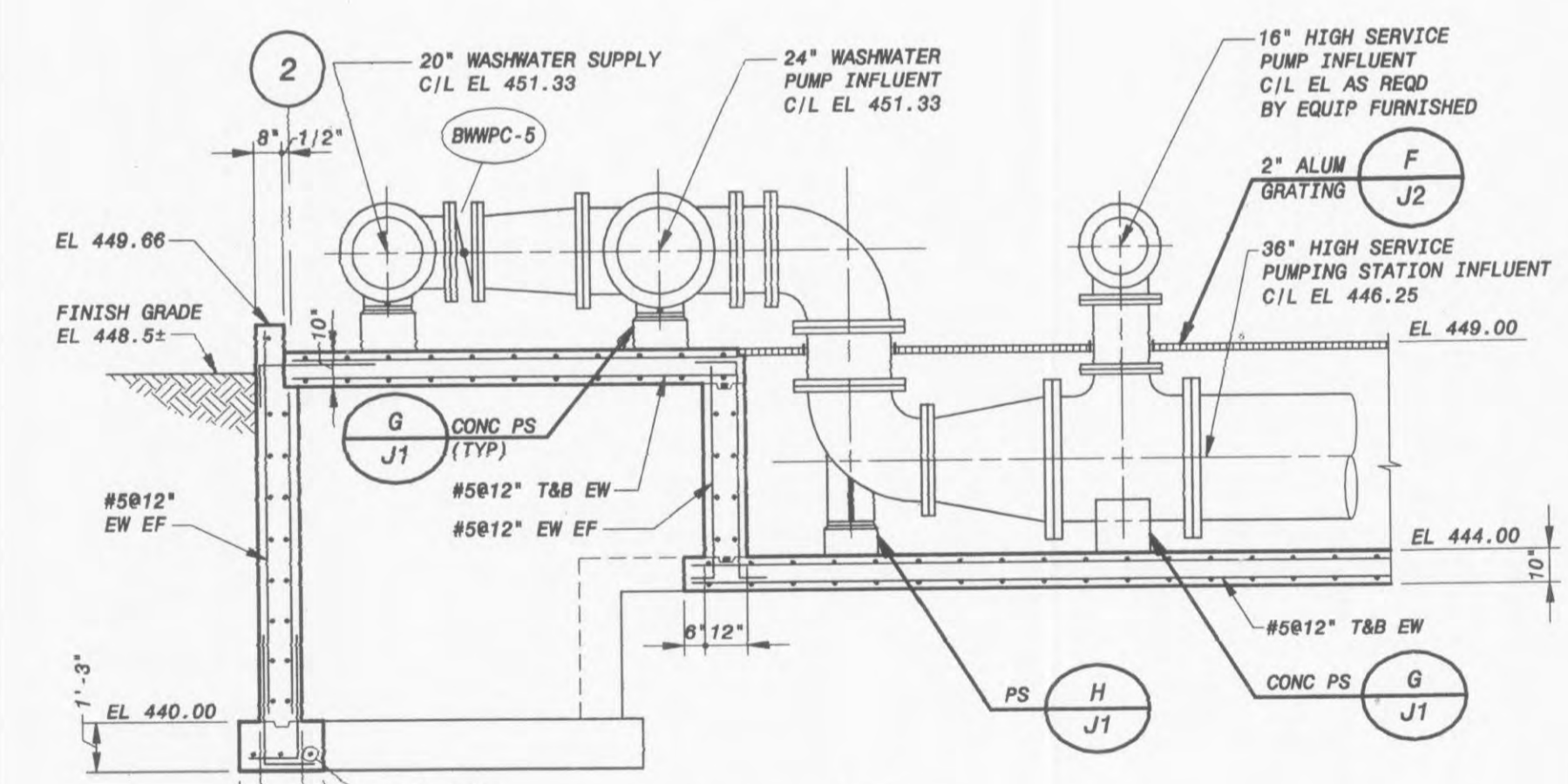
SECTION 5  
1/4" = 1'-0" (D1, D3)



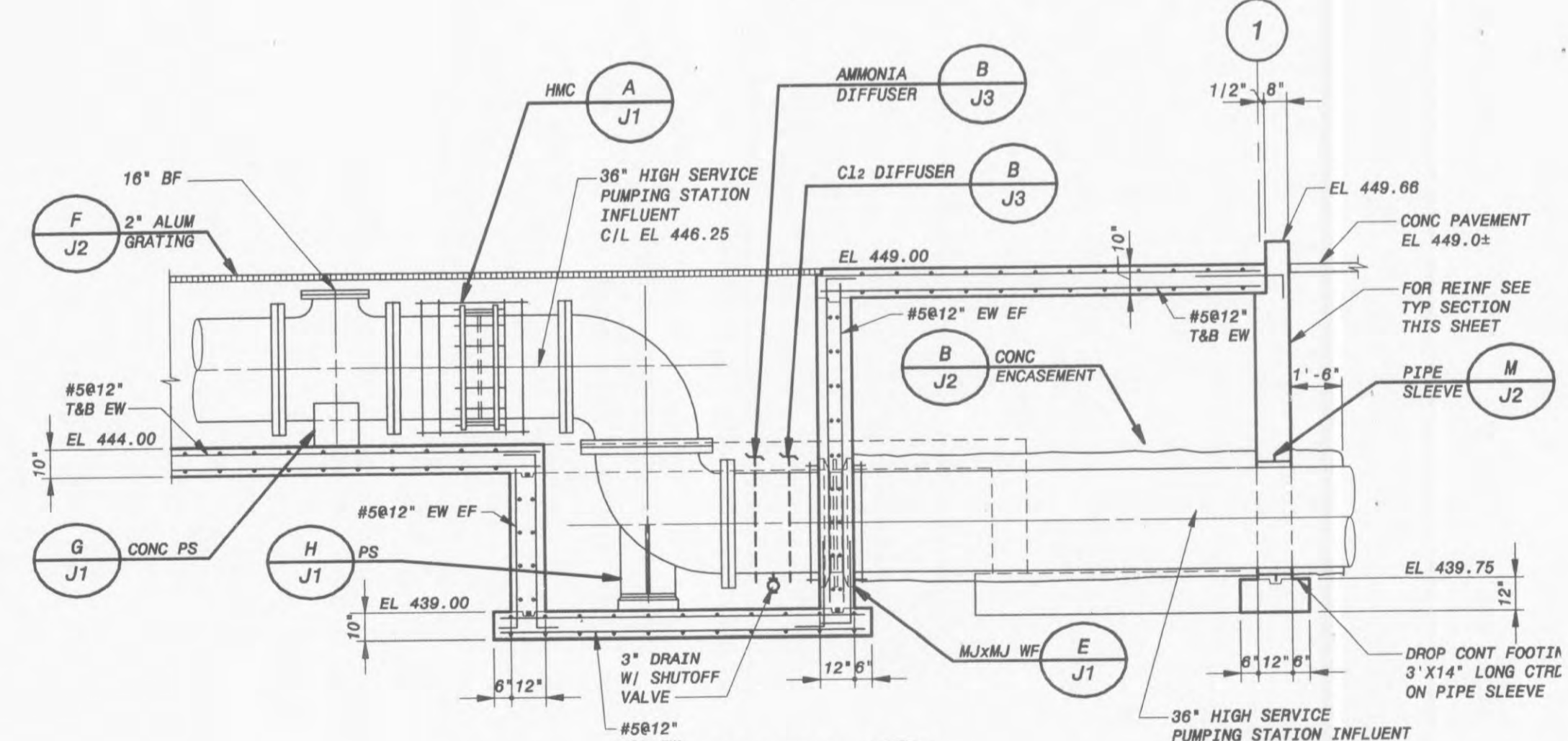
SECTION 6  
1/4" = 1'-0" (D2, D3)



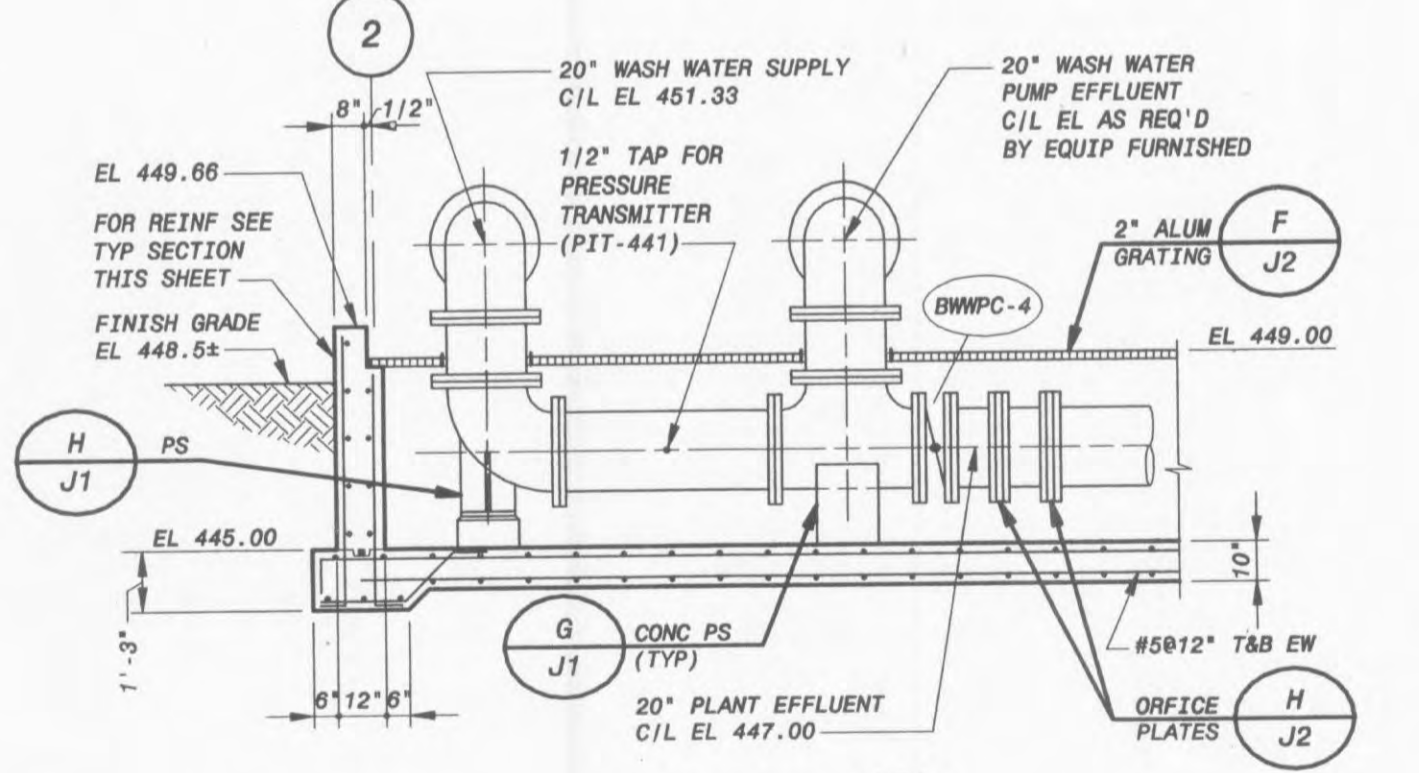
SECTION 7  
1/4" = 1'-0" (D2, D4)



SECTION 8  
1/4" = 1'-0" (D2, D4)



SECTION 9  
1/4" = 1'-0" (D2, D4)



SECTION 10  
1/4" = 1'-0" (D2, D4)

NO.	BY	CHK	APP
1			
2			

CONFORMED TO CONSTRUCTION RECORDS

DATE: 10/08/01

ADDENDUM: 1

REVISIONS AND RECORD OF ISSUE

DATE: 07/15/00

CYONET ID: 97515-300-C-70000000

SAVE: BWM14813, 3/28/2003 2:36:30 PM

DWG VER #: 7.0

PLOTTED: 1/04/2004 8:25:47 AM

USER: BWM14813

SW: ACAD-2000L

\*THIS DRAWING WAS ORIGINALLY APPROVED FOR CONSTRUCTION BY JAMES G. WINGER ON 10/08/01 AND SEALED BY WILLIAM F. RILEY BY WILLIAM F. RILEY, A LICENSED PROFESSIONAL ENGINEER IN THE STATE OF MISSOURI, NO. E-25004.

**BLACK & VEATCH**  
CORPORATION  
St. Louis, Missouri

CITY OF O'FALLON, MISSOURI  
WATER TREATMENT PLANT  
OPERATIONS BUILDING  
CIVIL/STRUCTURAL SECTIONS

DESIGNED: JGW, WFR, SAA  
DETAILED: TSH, WMT, MAS  
CHECKED: WLK  
APPROVED: JGW, WFR  
DATE: 10/08/01  
PROJECT NO.

97515

D7

SHEET 26 OF 96