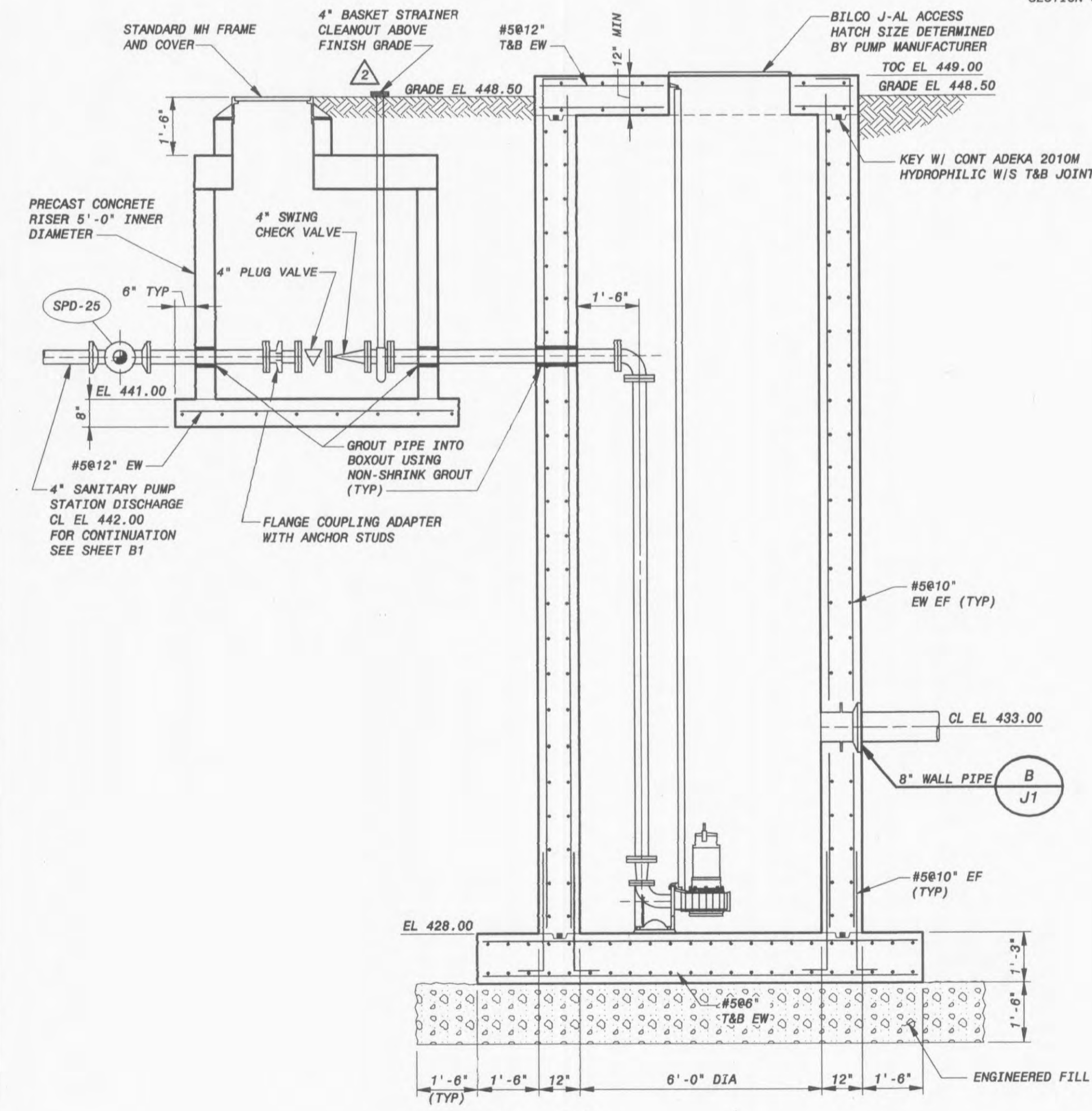
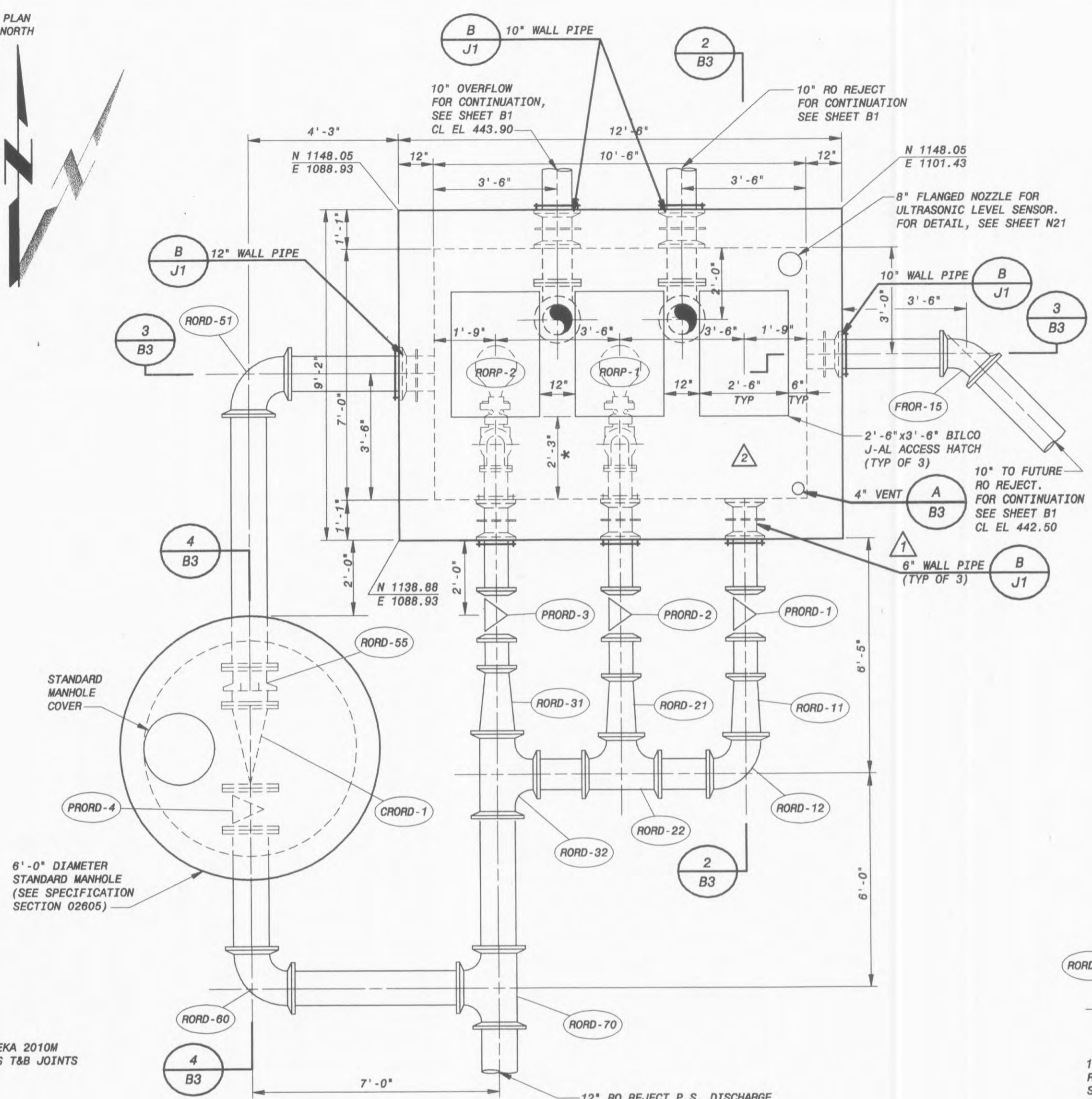


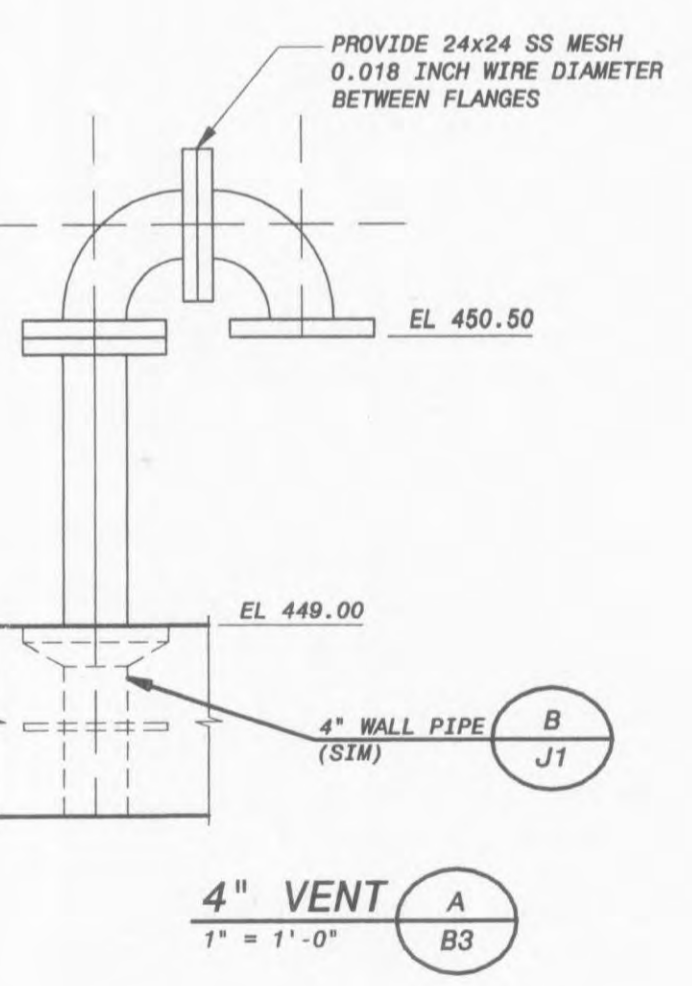
SANITARY PUMP STATION - PLAN
3/8" = 1'-0"



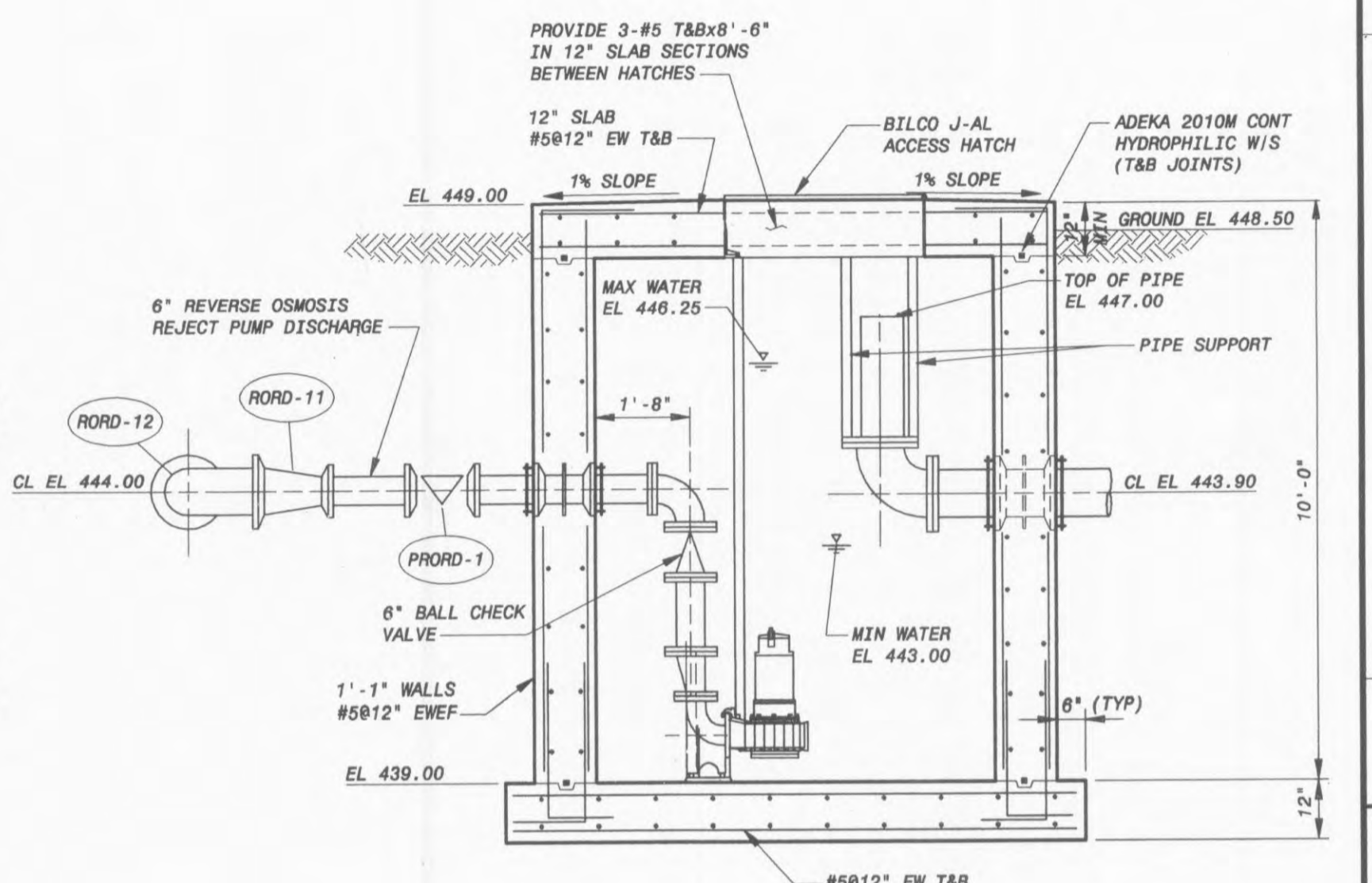
SECTION 1
3/8" = 1'-0"



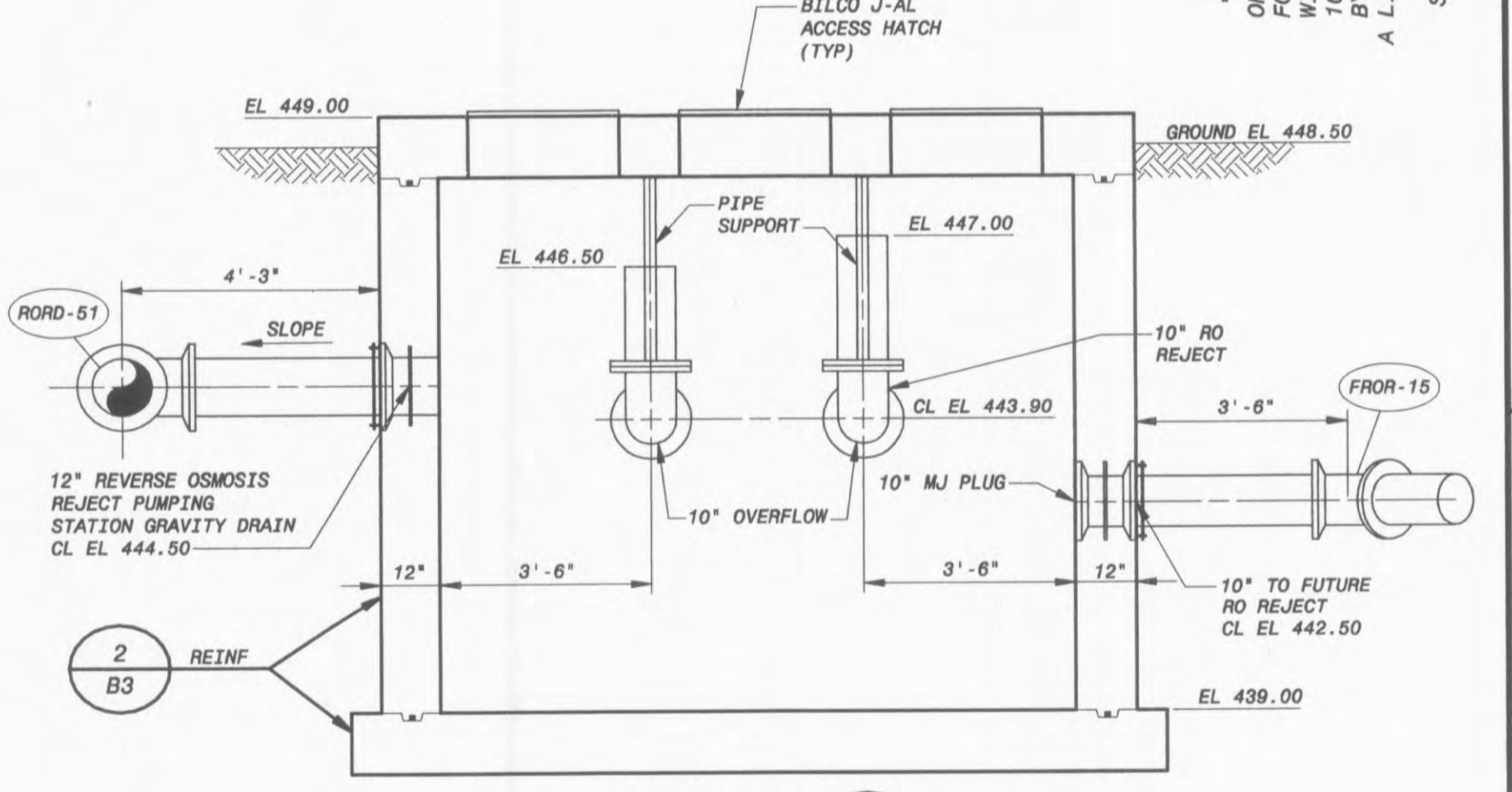
REVERSE OSMOSIS REJECT PUMP STATION
3/8" = 1'-0"



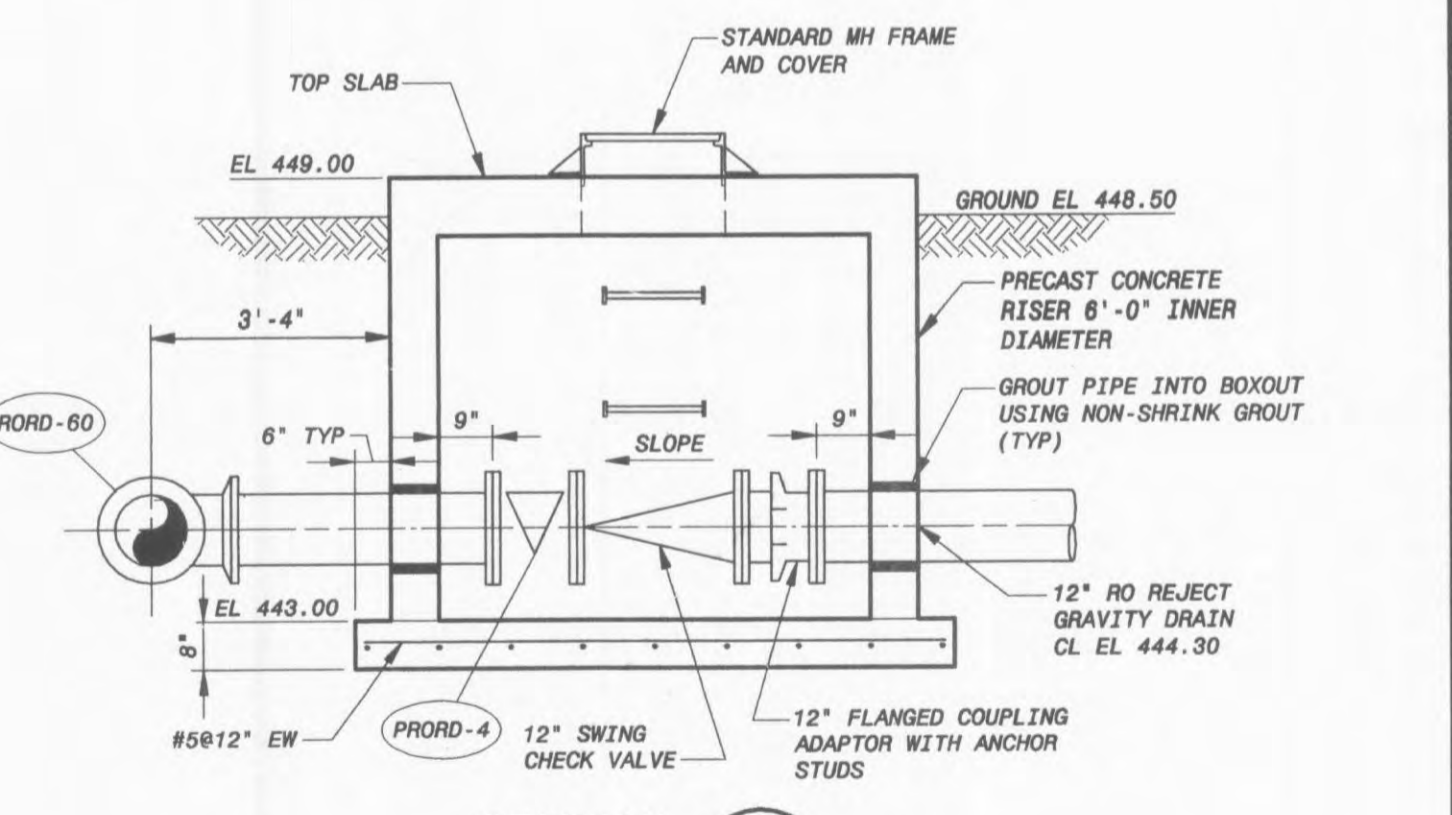
4" VENT A
1" = 1'-0"



SECTION 2
3/8" = 1'-0"



SECTION 3
3/8" = 1'-0"



SECTION 4
3/8" = 1'-0"

NOTE:
REFER TO SPECIFICATION SECTION 02805 FOR STANDARD MANHOLE DETAILS.

THIS DRAWING WAS ORIGINALLY APPROVED FOR CONSTRUCTION BY WILLIAM F. RILEY ON 10/08/01 AND SEALED BY WILLIAM F. RILEY, A LICENSED PROFESSIONAL ENGINEER IN THE STATE OF MISSOURI, NO. E-26299

CONFORMED TO CONSTRUCTION RECORDS	NO.	BY	CHK	APP
ADDENDUM	1			
DATE	REVISED AND RECORD OF ISSUE			
DATE	CYBNET ID: 97515-300-C-10000657			
DATE	DRAWN BY: JIMMIE R. NELSON			
DATE	CHECKED BY: WILLIAM F. RILEY			
DATE	DESIGNED BY: WILLIAM F. RILEY			
DATE	PROJECT NO.: 97515-300-C-10000657			
DATE	SHEET NO.: 7.8			
DATE	PLOTTER: BOWW4813, 4/23/2003 9:31:54 AM			
DATE	USER: BOWW4813			
DATE	SW: ACAD-2000L			

THIS DRAWING WAS ORIGINALLY APPROVED FOR CONSTRUCTION BY WILLIAM F. RILEY ON 10/08/01 AND SEALED BY WILLIAM F. RILEY, A LICENSED PROFESSIONAL ENGINEER IN THE STATE OF MISSOURI, NO. E-26299

BLACK & VEATCH Corporation
St. Louis, Missouri

CITY OF O'FALLON, MISSOURI
WATER TREATMENT PLANT
REVERSE OSMOSIS REJECT AND SANITARY PUMPING STATIONS

DESIGNED: KMN, BPF, WFR
DETAILED: DPH, JAB, MAS
CHECKED: MER, WLK, BLP
APPROVED: WFR, KMN
DATE: 10/08/01

PROJECT NO.
97515

B3

SHEET OF 96