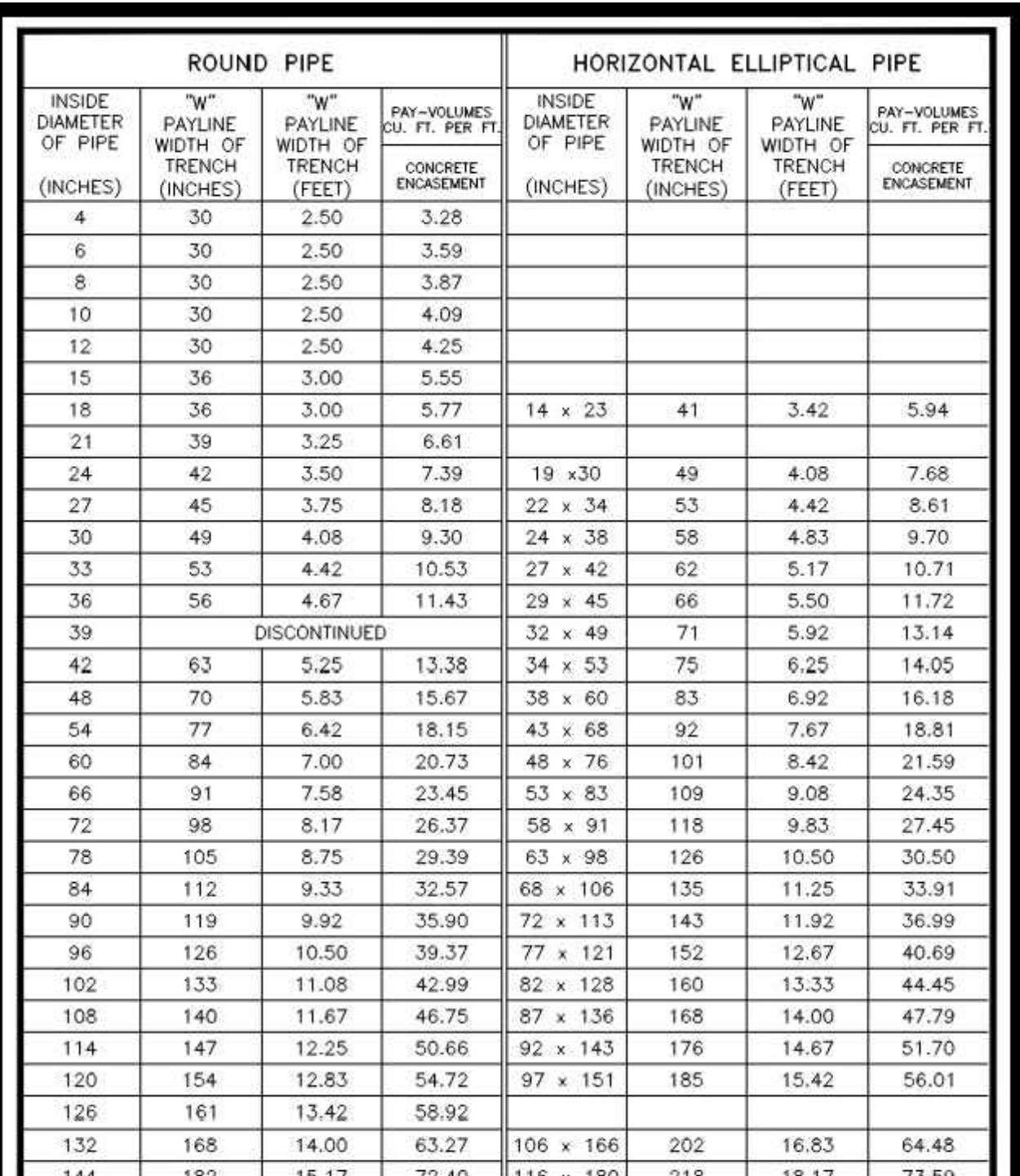
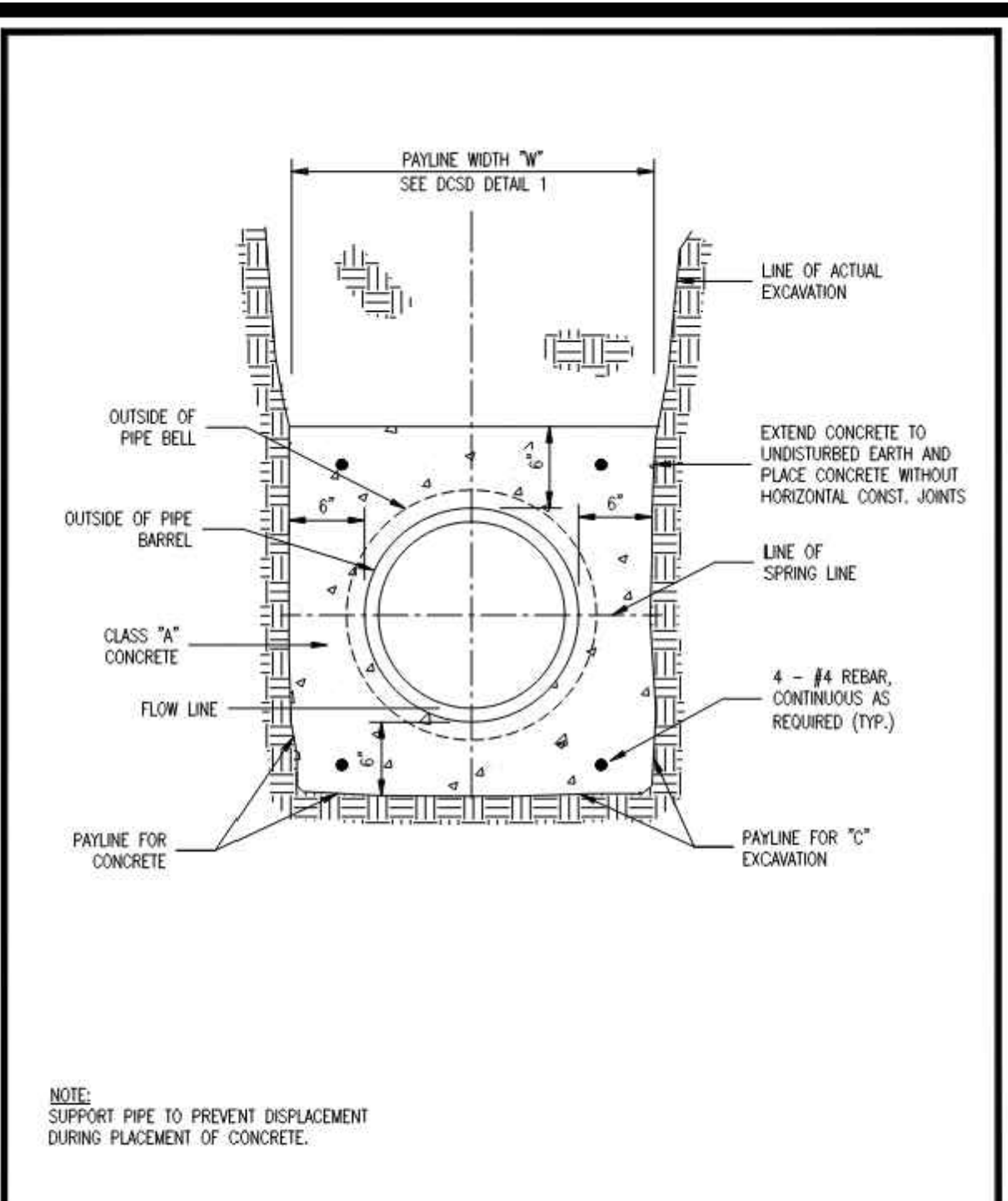


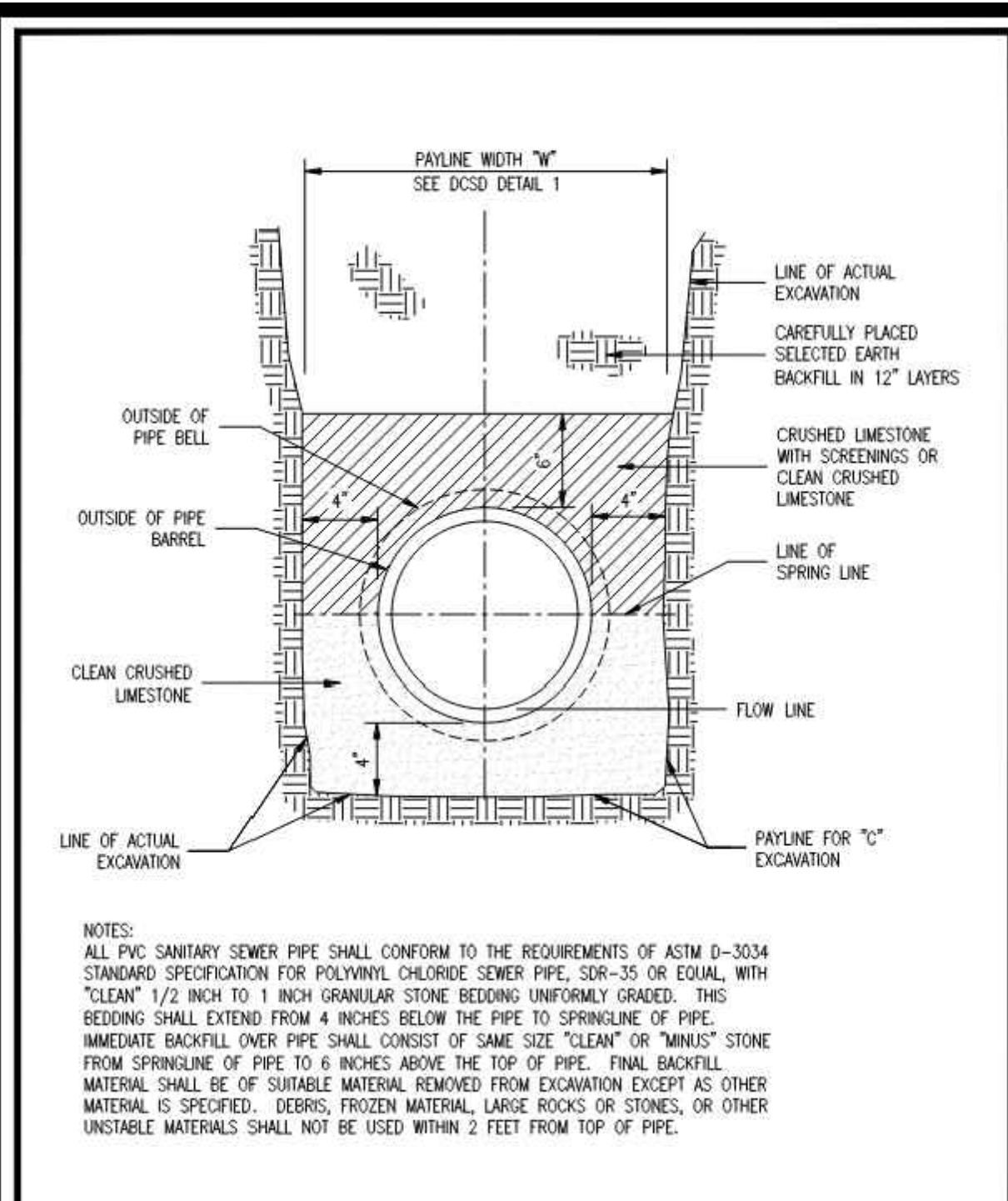
Duckett Creek Sanitary District
 PAYLINE LIMITS FOR EXCAVATION
 BSM: [] BSM: [] KLA: []
 MOOB: [] MOOB: [] MOOB: []
 DEC. 2015



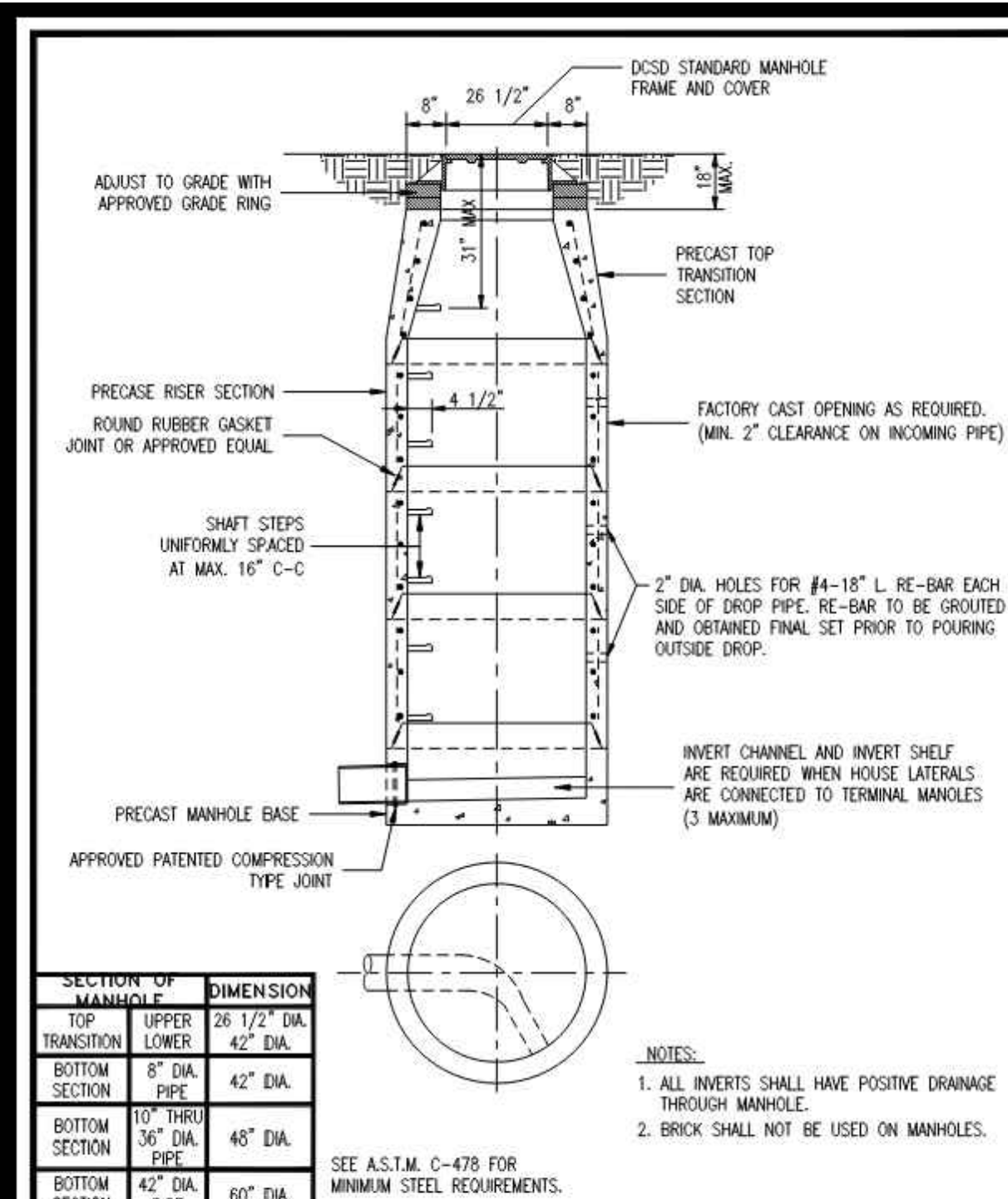
Duckett Creek Sanitary District
 PAYLINE WIDTHS OF TRENCH AND PAY-QUANTITIES OF CONCRETE
 BSM: [] BSM: [] KLA: []
 MOOB: [] MOOB: [] MOOB: []
 DEC. 2015



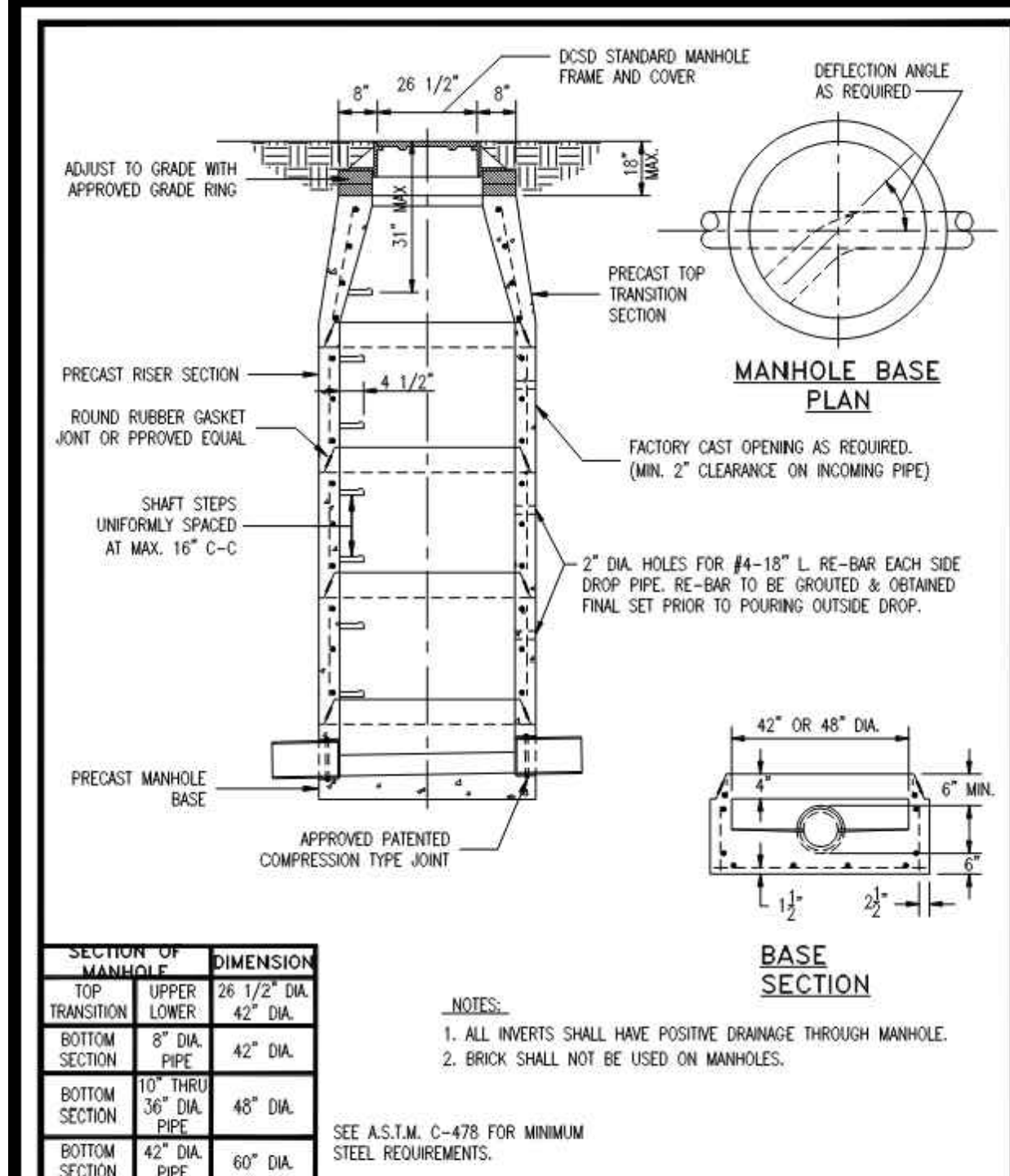
Duckett Creek Sanitary District
 TYPICAL CONCRETE ENCASEMENT
 BSM: [] BSM: [] KLA: []
 MOOB: [] MOOB: [] MOOB: []
 DEC. 2015



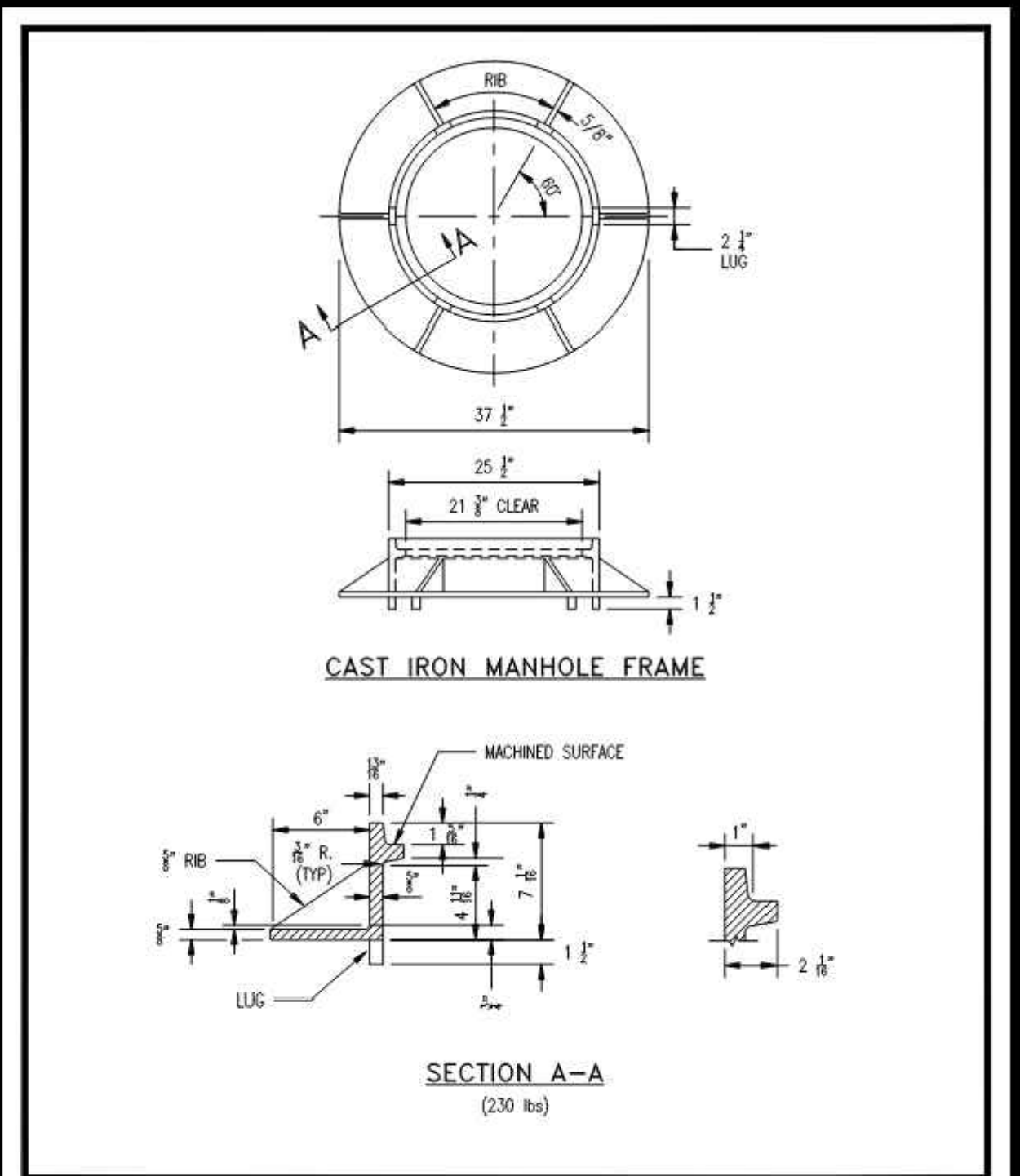
Duckett Creek Sanitary District
 PIPE BEDDING CLASS "C" (FOR ALL EXCEPT REINFORCED CONCRETE PIPE)
 BSM: [] BSM: [] KLA: []
 MOOB: [] MOOB: [] MOOB: []
 JULY 2016



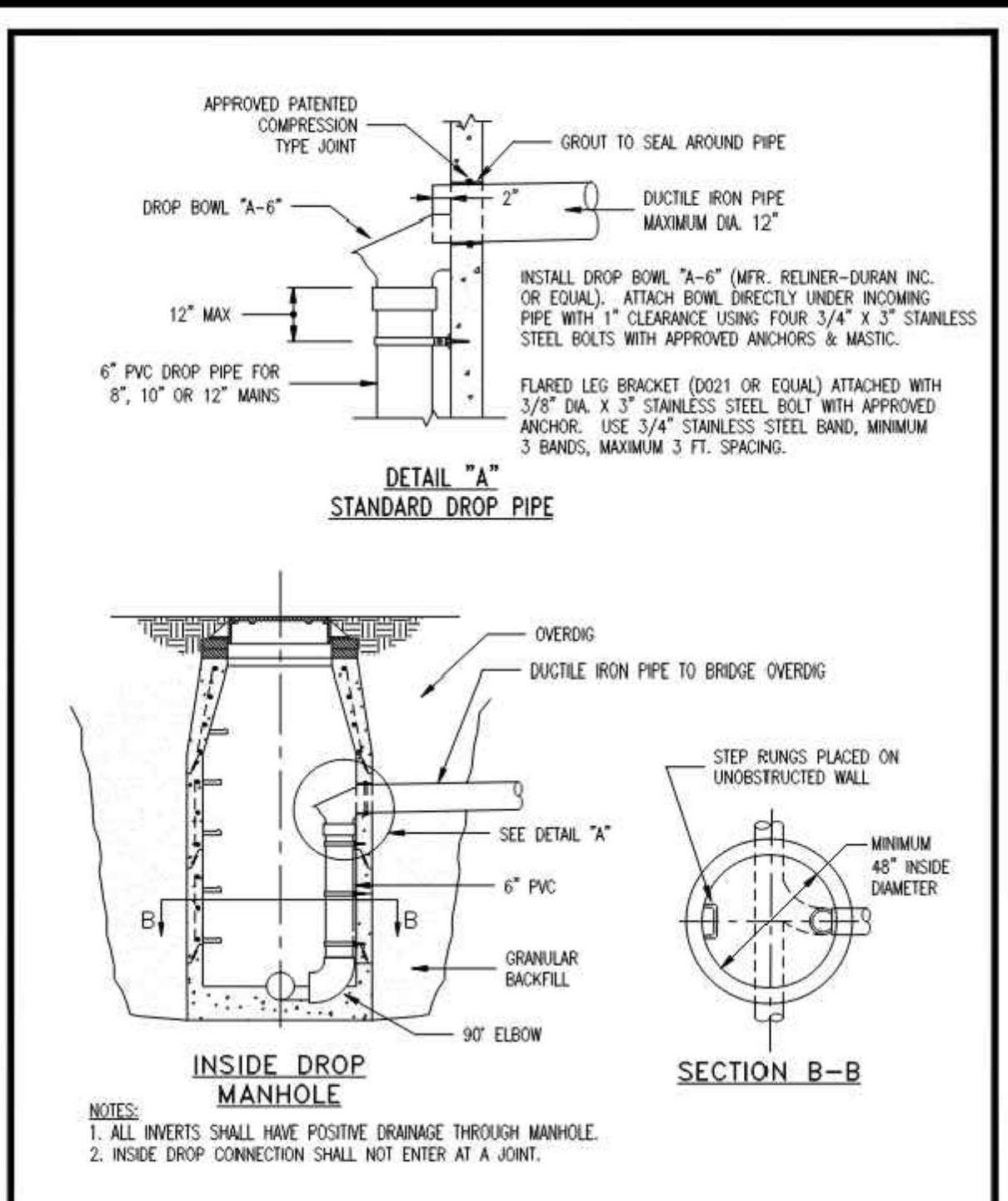
Duckett Creek Sanitary District
 STANDARD DROP PIPE
 BSM: [] BSM: [] KLA: []
 MOOB: [] MOOB: [] MOOB: []
 DEC. 2015



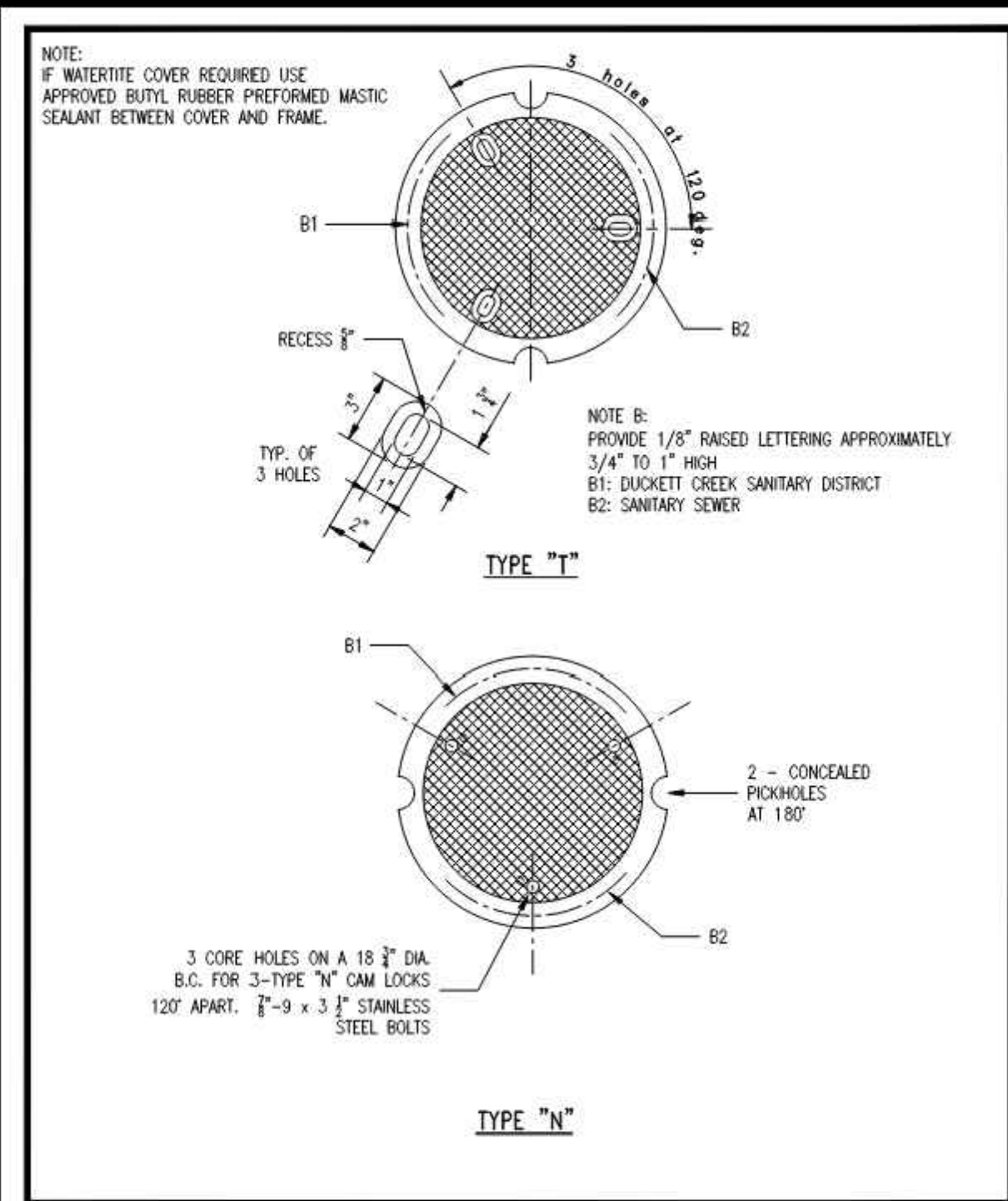
Duckett Creek Sanitary District
 MANHOLE BASE PLAN
 BSM: [] BSM: [] KLA: []
 MOOB: [] MOOB: [] MOOB: []
 DEC. 2015



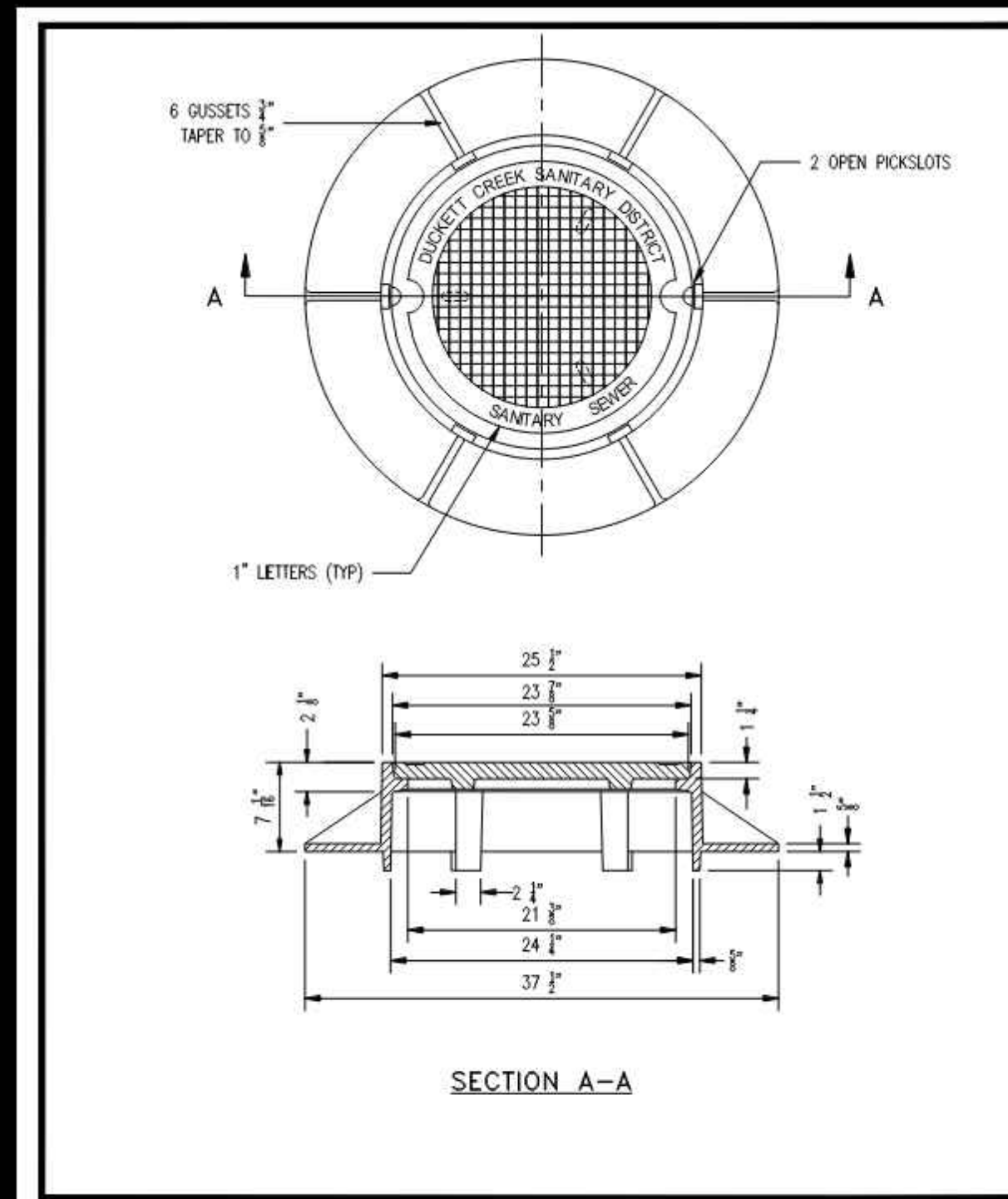
Duckett Creek Sanitary District
 CAST IRON MANHOLE FRAME
 BSM: [] BSM: [] KLA: []
 MOOB: [] MOOB: [] MOOB: []
 DEC. 2015



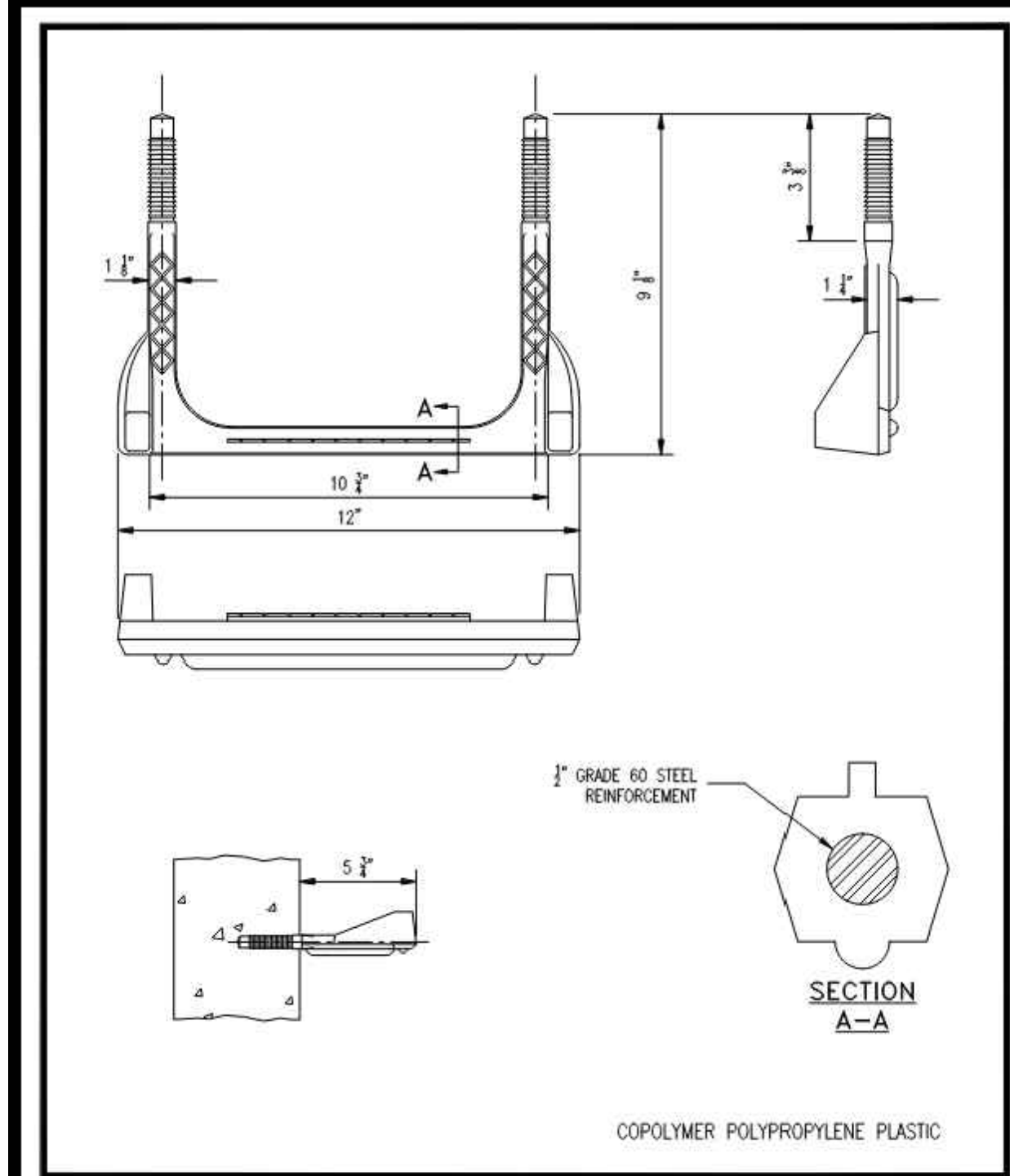
Duckett Creek Sanitary District
 INSIDE DROP MANHOLE
 BSM: [] BSM: [] KLA: []
 MOOB: [] MOOB: [] MOOB: []
 JULY 2016



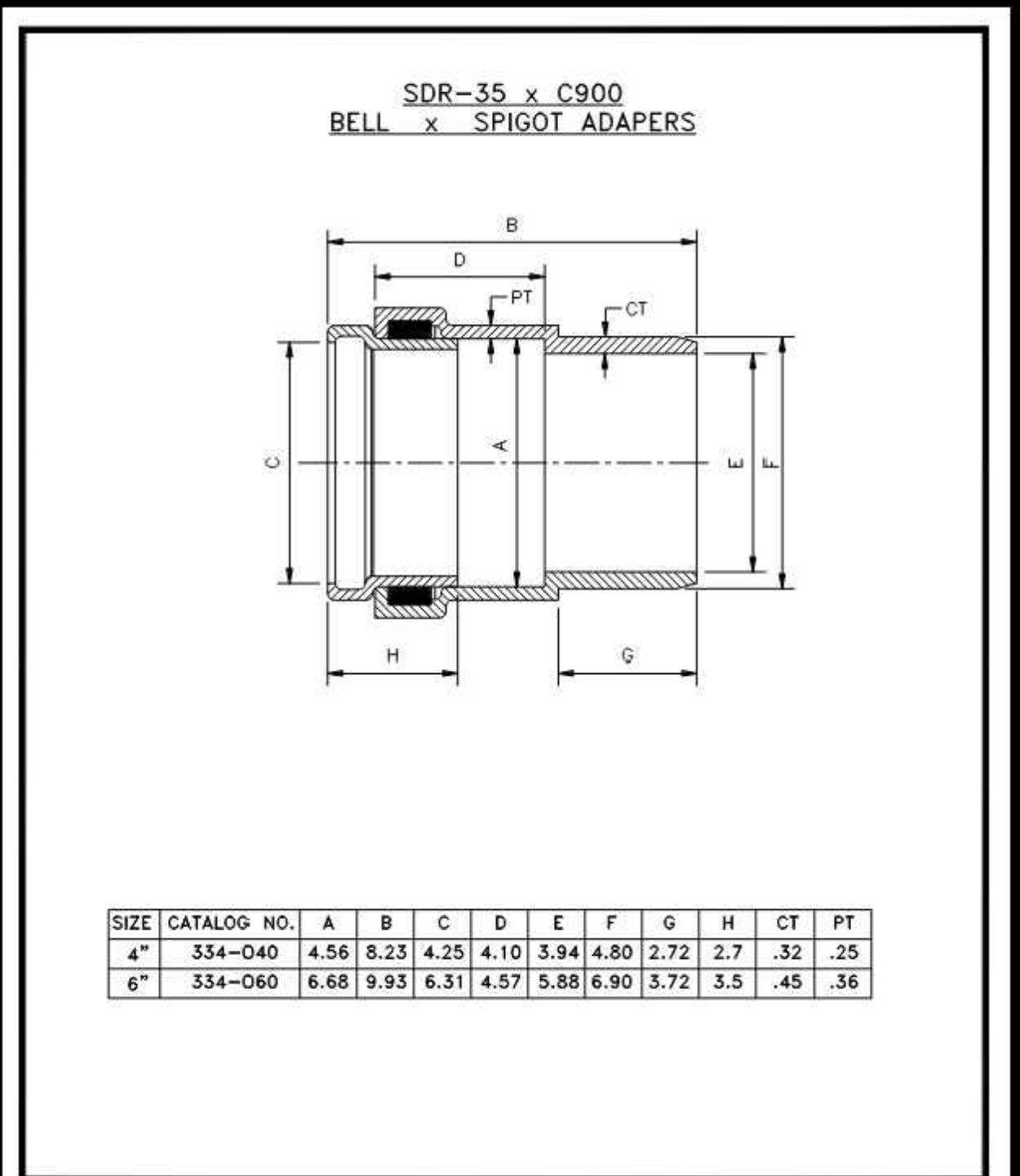
Duckett Creek Sanitary District
 CAST IRON MANHOLE COVERS (LOCK TYPE)
 BSM: [] BSM: [] KLA: []
 MOOB: [] MOOB: [] MOOB: []
 DEC. 2015



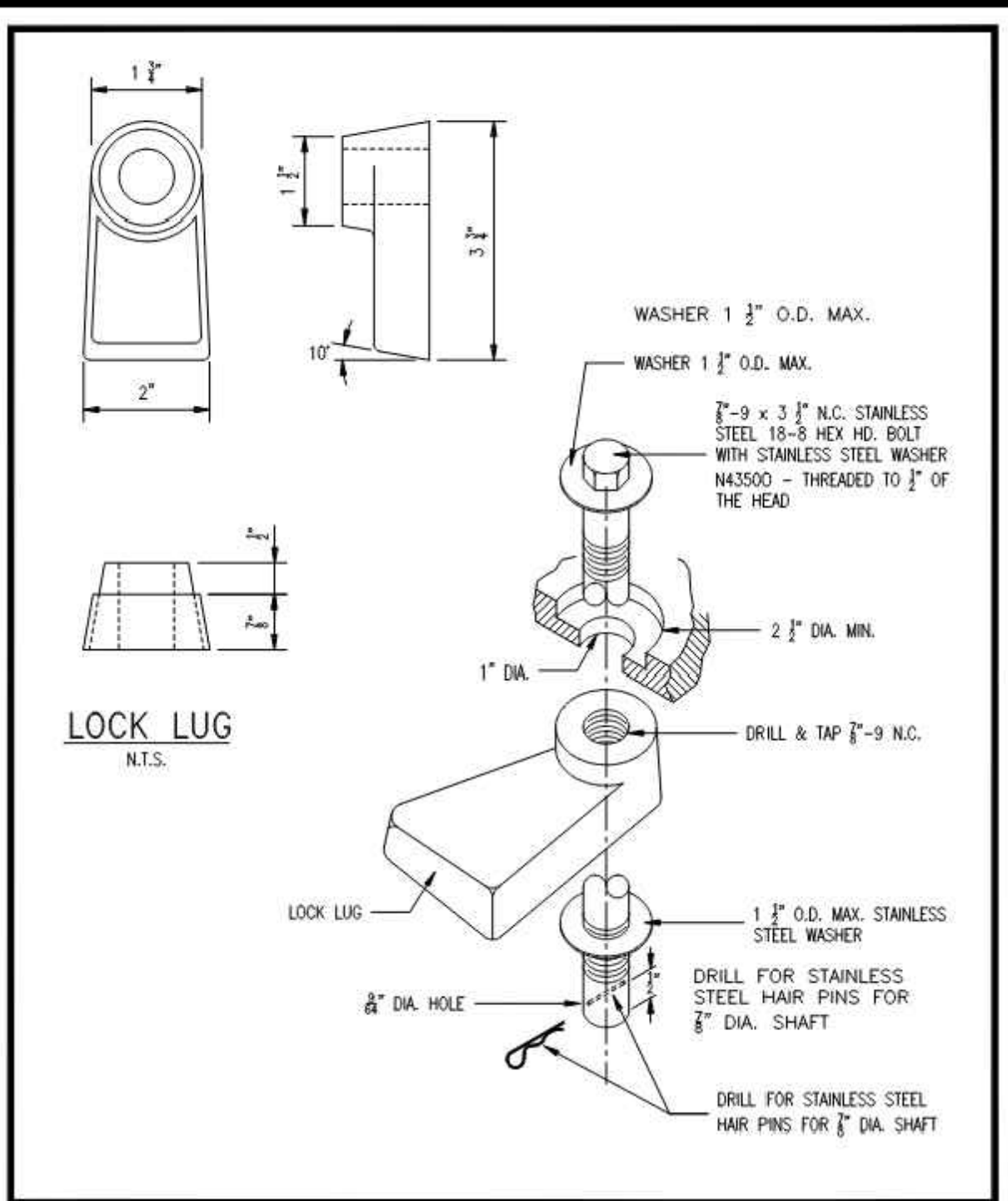
Duckett Creek Sanitary District
 MANHOLE FRAME AND COVER
 BSM: [] BSM: [] KLA: []
 MOOB: [] MOOB: [] MOOB: []
 DEC. 2015



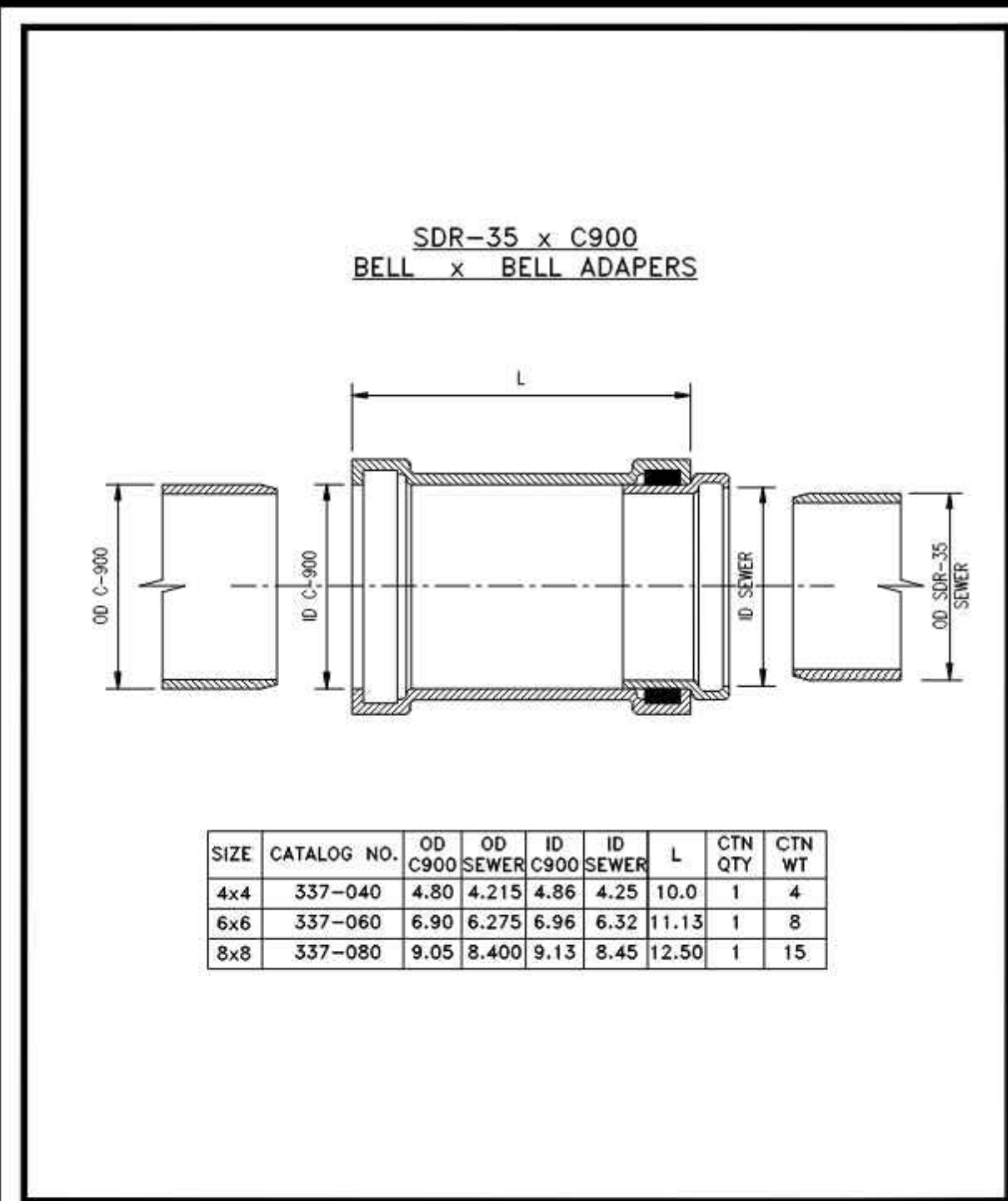
Duckett Creek Sanitary District
 MANHOLE STEP FOR PRECAST MANHOLE
 BSM: [] BSM: [] KLA: []
 MOOB: [] MOOB: [] MOOB: []
 DEC. 2015



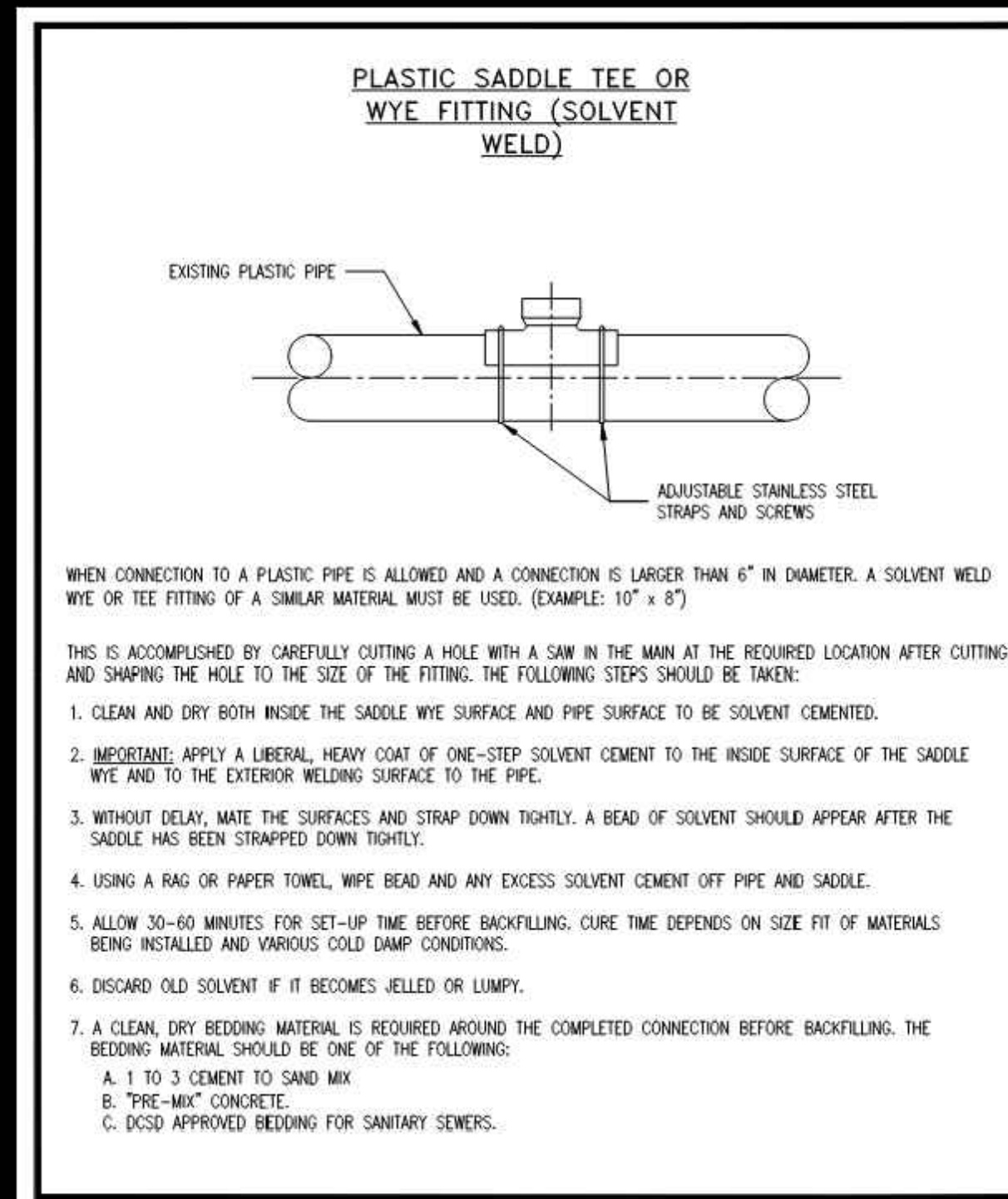
Duckett Creek Sanitary District
 SDR-35 x C900 BELL AND SPIGOT ADAPTERS
 BSM: [] BSM: [] KLA: []
 MOOB: [] MOOB: [] MOOB: []
 DEC. 2015



Duckett Creek Sanitary District
 LOCK LUG
 BSM: [] BSM: [] KLA: []
 MOOB: [] MOOB: [] MOOB: []
 DEC. 2015



Duckett Creek Sanitary District
 SDR-35 x C900 BELL AND BELL ADAPTERS
 BSM: [] BSM: [] KLA: []
 MOOB: [] MOOB: [] MOOB: []
 DEC. 2015



Duckett Creek Sanitary District
 PLASTIC SADDLE TEE OR WYE FITTING (SOLVENT WELD)
 BSM: [] BSM: [] KLA: []
 MOOB: [] MOOB: [] MOOB: []
 DEC. 2015