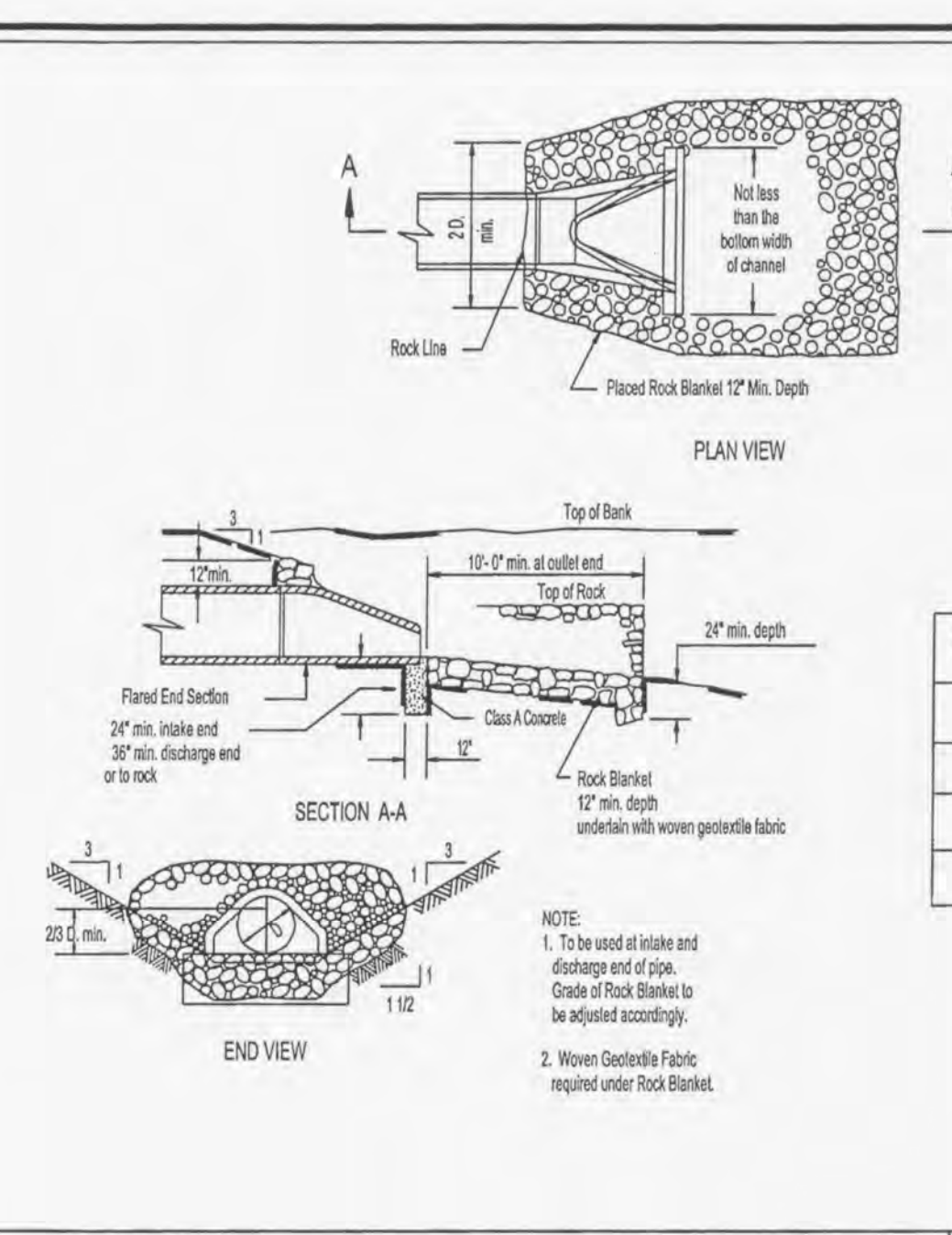


CITY OF O'FALLON
ENGINEERING DEPARTMENT
O'FALLON, MISSOURI

CLASS A UNDERDRAINS



MSD Type 5 Rock Blanket (% By Weight Passing)

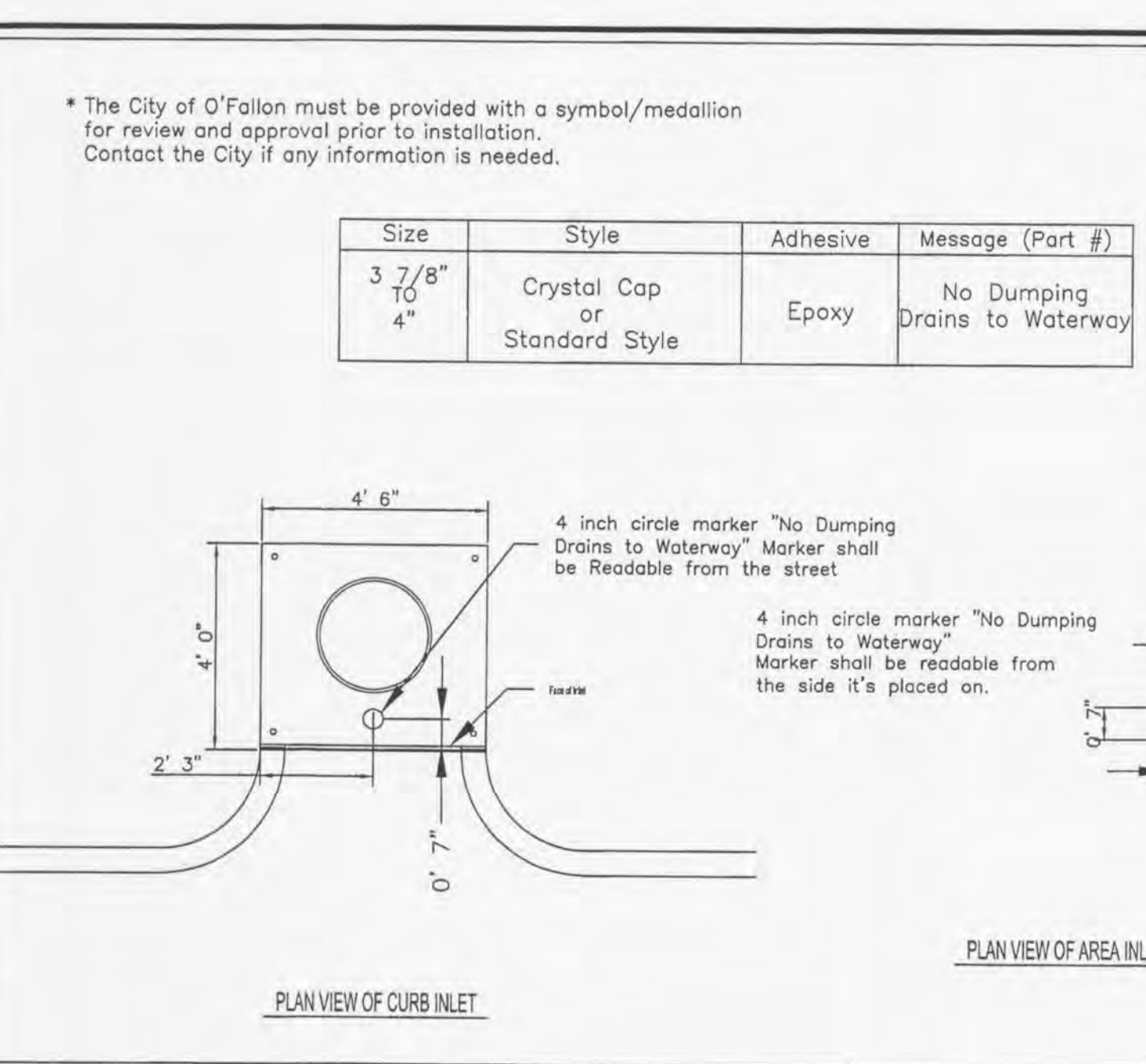
Sieve	Maximum	Minimum
12 inch	90	70
6 inch	30	10
1/2 inch	5	0

CITY OF O'FALLON
ENGINEERING DEPARTMENT
O'FALLON, MISSOURI

**SEWER CONSTRUCTION DETAILS
FLARED END SECTION
(INLET/OUTLET PROTECTION)**

* The discharge point of all flared end sections shall be protected by rip rap or other approved means.

** Rip rap shown at flared end sections will be evaluated in the field by the Engineer, Contractor, and City Inspectors after installation for effectiveness and field modified, if necessary to reduce erosion on and off site.

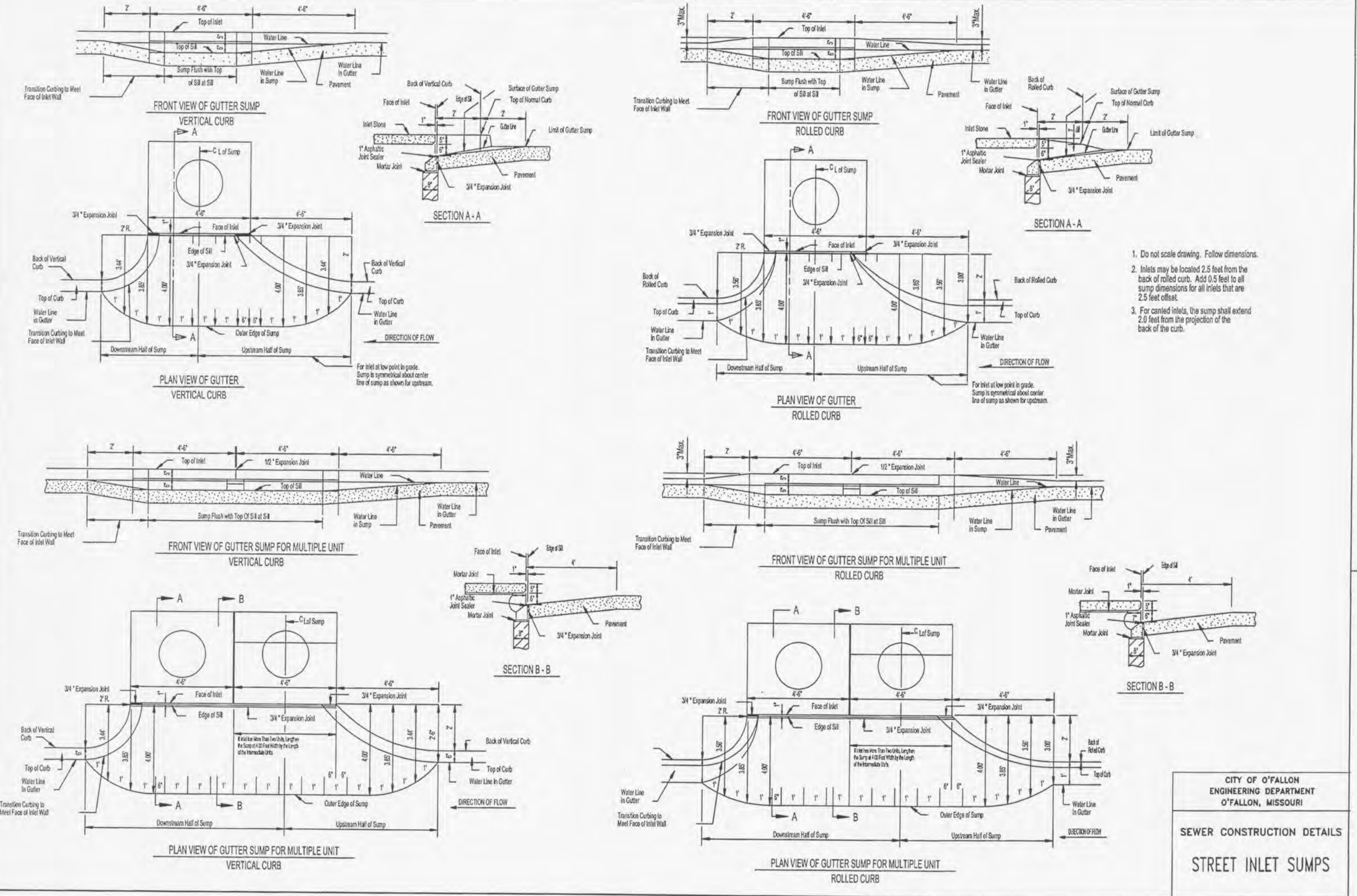


ISSUE REMARKS/DATE

- 1-9-13 REVISED PER CITY COMMENTS
- 2-7-13 REVISED PER CITY COMMENTS
- 3-20-13 REVISED PER CITY COMMENTS
- 4-9-13 REVISED PER CITY COMMENTS

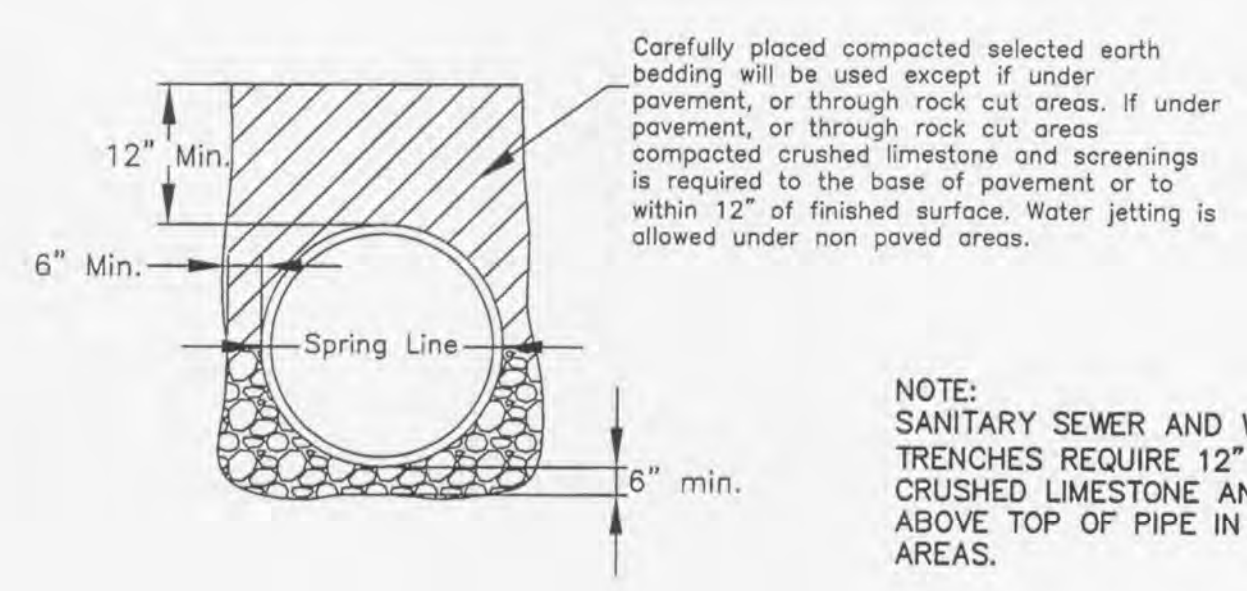
CITY OF O'FALLON
ENGINEERING DEPARTMENT
O'FALLON, MISSOURI

STORM DRAIN MARKER LOCATION



CITY OF O'FALLON
ENGINEERING DEPARTMENT
O'FALLON, MISSOURI

**SEWER CONSTRUCTION DETAILS
STREET INLET SUMPS**



CITY OF O'FALLON
ENGINEERING DEPARTMENT
O'FALLON, MISSOURI

TRENCH DETAIL

* All other Storm or Sanitary Sewer Details will be by M.S.D. 2007 Standards and Specifications.

PROJECT TITLE

WEATHERBY LANDING

O'FALLON, MISSOURI

THE **STERLING** CO.
ENGINEERS & SURVEYORS

5055 New Baumgartner Road
St. Louis, Missouri 63129
Ph. 314-487-0440 Fax 314-487-9844
www.sterling-eng-srv.com
Corporate Certificate of Authority #001348

The Professional Engineer's seal and signature affixed to this sheet signify only in the manner and items shown on this sheet. All drawings, instruments or other documents not exhibiting this seal and signature shall not be considered prepared by or for the engineer, and the engineer expressly disclaims any responsibility for such drawings, instruments or documents not exhibiting this seal and signature.

STATE OF MISSOURI

RODNEY ARNOLD
No. 2002016612
PROFESSIONAL ENGINEER

Date: 4/9/2013
RODNEY ARNOLD
License No. PE-2002016612
Civil Engineer

MCBRIDE & SON HOMES LAND DEVELOPMENT, INC.

16091 SWINGLEY RIDGE ROAD, STE. 300
CHESTERFIELD, MISSOURI 63017
Ph. 636-537-2000
www.mcbridehomes.com

CITY OF O'FALLON STORM AND SANITARY DETAILS

P+Z No. 1305.05
City No.
Date: 11/12/2012
Job No. 12-05-127

Page No.

CD2