

DS = DESIGN STORM
 DA = DRAINAGE AREA
 P1 = RUNOFF FACTOR
 ODA = 0 DRAINAGE AREA

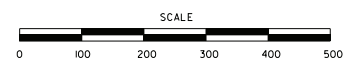
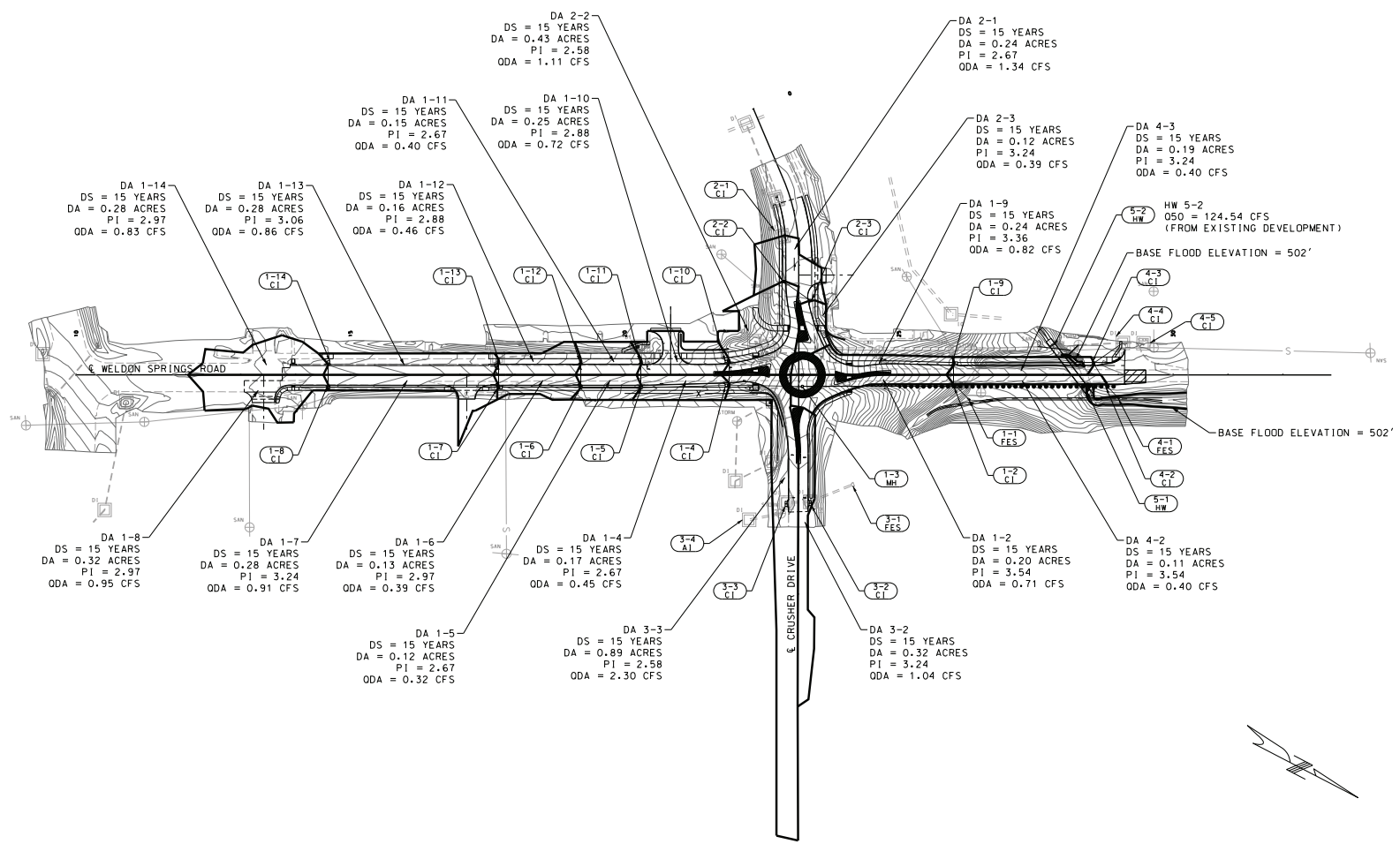
PROPOSED DRAINAGE AREA MAP

DRAINAGE NOTES:

FEMA FIRM #: 29183C0430G
 (REV. 9-21-16)
 BASE FLOOD EL.: 502'



DATE PREPARED 8/14/2024	
DISTRICT SI	STATE MO
SHEET NO. 81	
ROUTE WELDON SPRING	
DA JOB NO. 221150	
EW GATEWAY ID. 7209-22	
PROJECT NO. CMAO-7302(691)	
BRIDGE NO. N/A	



DATE	DESCRIPTION

OATES
 ENGINEER
 MISSOURI REGISTERED PROFESSIONAL ENGINEER
 LICENSE NO. 000776

CITY OF FALLON
 ENGINEER
 100 NORTH MAIN STREET
 FALLON, MO 64306
 Tel: 886-219-5986

DRAINAGE AREA MAP
 SHEET 1 OF 1

IF A SEAL IS PRESENT ON THIS SHEET IT HAS BEEN ELECTRONICALLY SEALED AND DATED. REV.