



DATE PREPARED  
8/14/2024

DISTRICT STATE  
SI MO

SHEET NO.  
38

ROUTE  
WELDON SPRING

DA JOB NO.  
221150

EW GATEWAY ID.  
7209-22

PROJECT NO.  
CMAO-7302(691)

BRIDGE NO.  
N/A

DATE	DESCRIPTION

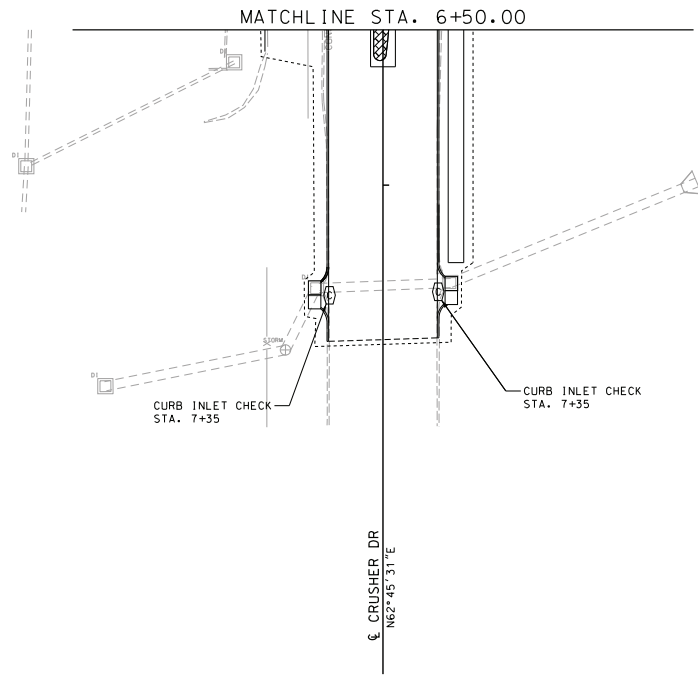
OATES CONSULTANTS, INC.  
 2000 S. STATE ST.  
 ST. LOUIS, MO 63104  
 MISSOURI PROFESSIONAL ENGINEER LICENSE NO. 001181  
 MISSOURI LAND SURVEYOR LICENSE NO. 000276

CITY OF FALLON ENGINEERING  
 100 NORTH MAIN STREET  
 FALLON, MO 64306  
 TEL: 886-219-5986

TEMPORARY EROSION CONTROL  
 CRUSHER DRIVE  
 SHEET 6 OF 6

IF A SEAL IS PRESENT ON THIS SHEET IT HAS BEEN ELECTRONICALLY SEALED AND DATED.

REV.



TEMPORARY EROSION CONTROL LEGEND

- ROCK DITCH CHECK
- CURB INLET CHECK
- INLET CHECK
- SEDIMENT TRAP
- TEMPORARY BERM TYPE C
- SILT FENCE