

South-West Basin

Total Swale "Q" + Basin Drainage Area = **9.15 c.f.s.**

SWALE AT FE-3

$I.Q.(2) = 5.91 \text{ c.f.s.}$
 SLOPE = 5.4 %
 W = 4.0'
 H = 6"
 CAPACITY = **19.32 c.f.s.**

SWALE AT FE-15

$I.Q.(2) = 2.67 \text{ c.f.s.}$
 SLOPE = 3.85 %
 W = 4.0'
 H = 6"
 CAPACITY = **16.32 c.f.s.**

North-East Basin

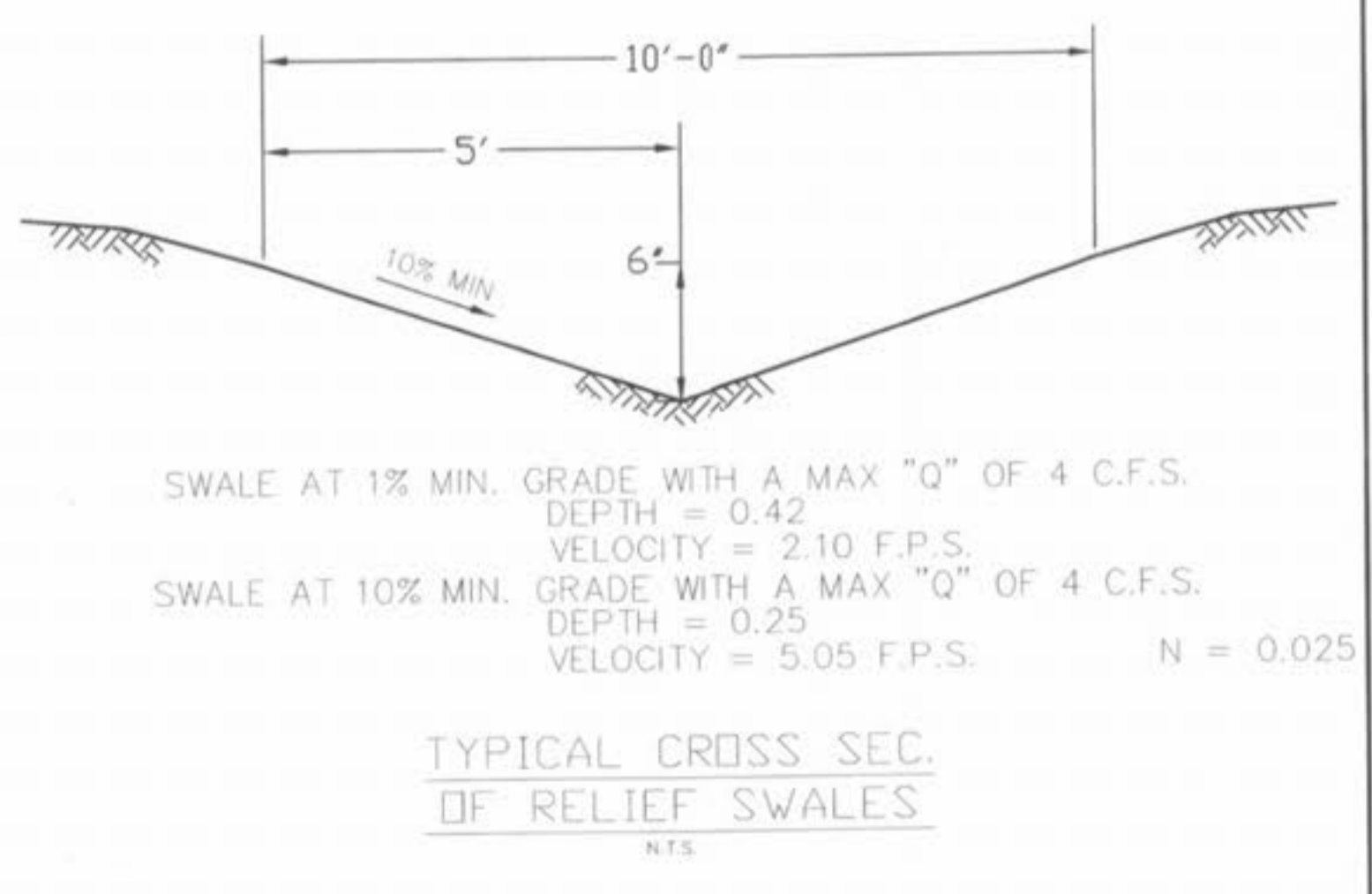
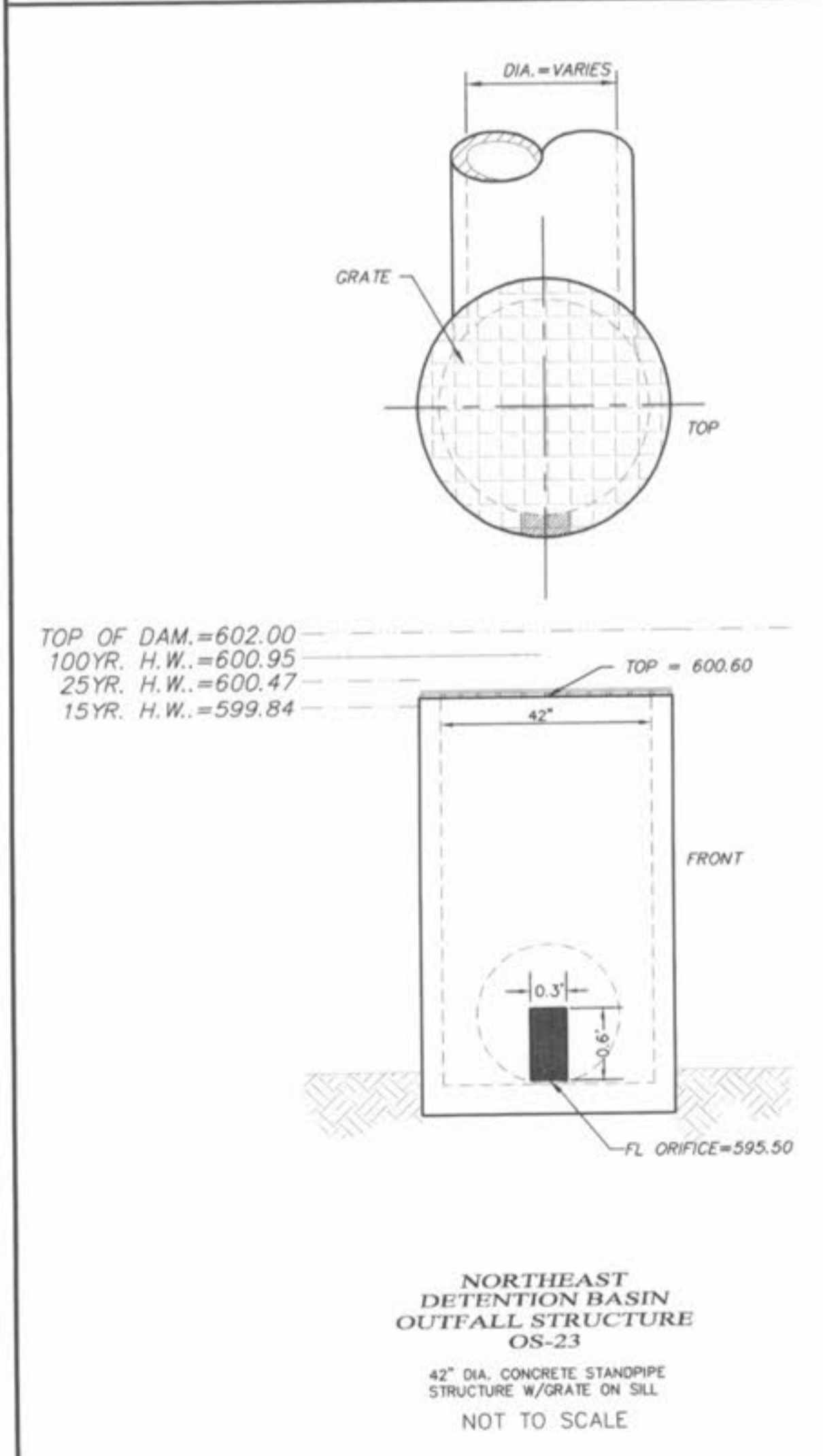
Total Swale "Q" + Basin Drainage Area = **5.57 c.f.s.**

SWALE AT FE-27

$I.Q.(2) = 4.13 \text{ c.f.s.}$
 SLOPE = 1.5 %
 W = 4.0'
 H = 6"
 CAPACITY = **10.18 c.f.s.**

SWALE AT FE-24

$I.Q.(2) = 0.78 \text{ c.f.s.}$
 SLOPE = 1.3 %
 W = 4.0'
 H = 6"
 CAPACITY = **9.48 c.f.s.**



PICKETT RAY & SILVER
 CIVIL ENGINEERS
 PLANNERS
 LAND SURVEYORS

333 Mid Rivers Mall Drive
 St. Peters, MO 63376
 Phone (636) 397-1211
 Fax (636) 397-1104

WELLINGTON PARK CONSTRUCTION DETAILS

Prepared For: **THE JONES COMPANY**
 Building Homes Since 1927
 A CENTEX Company

1640 CHESTERFIELD GROVE BLVD
 CHESTERFIELD, MO 63005
 (314) 255-5987

REVISIONS NO.	DATE

ENGINEERS AUTHENTICATION
 The responsibility for professional engineering liability on this project is hereby limited to the set of plans authenticated by the seal, signature, and date hereunder attached. Responsibility is disclaimed for all other engineering plans involved in this project and specifically excludes revisions after this date unless reauthenticated.

PICKETT, RAY & SILVER, INC.

DRAWN E.J.S.	DATE 03-04-03
CHECKED	DATE
PROJECT # 02077.JCCH.OOR	
TASK # 6	FIELD 1997B
BOOK 821	

WELLINGTON PARK CONSTRUCTION DETAILS

SHEET **12** OF **23**

© Copyright 2003 by Pickett, Ray & Silver Inc.