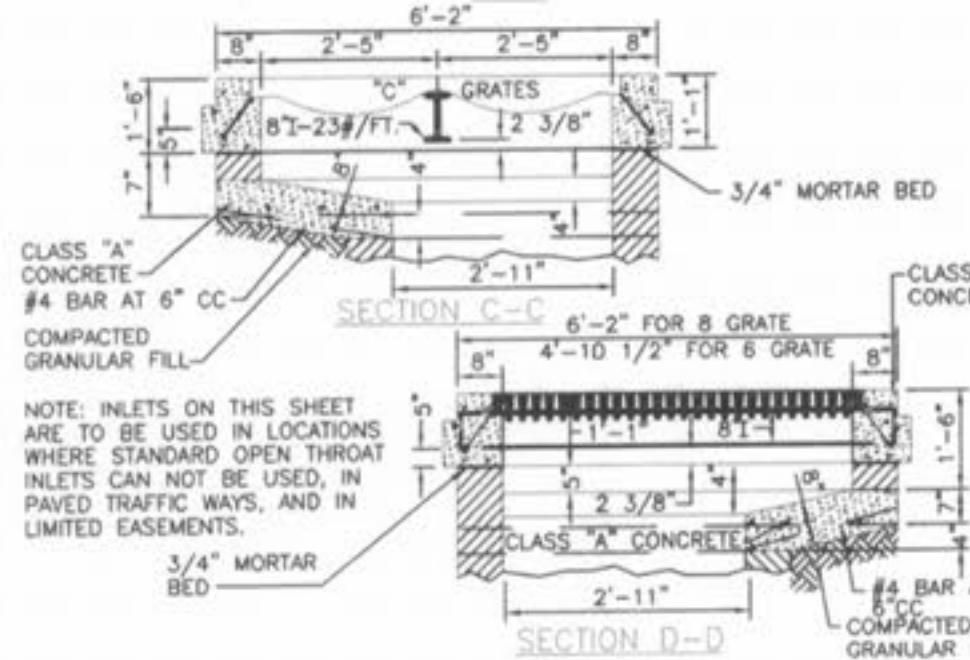
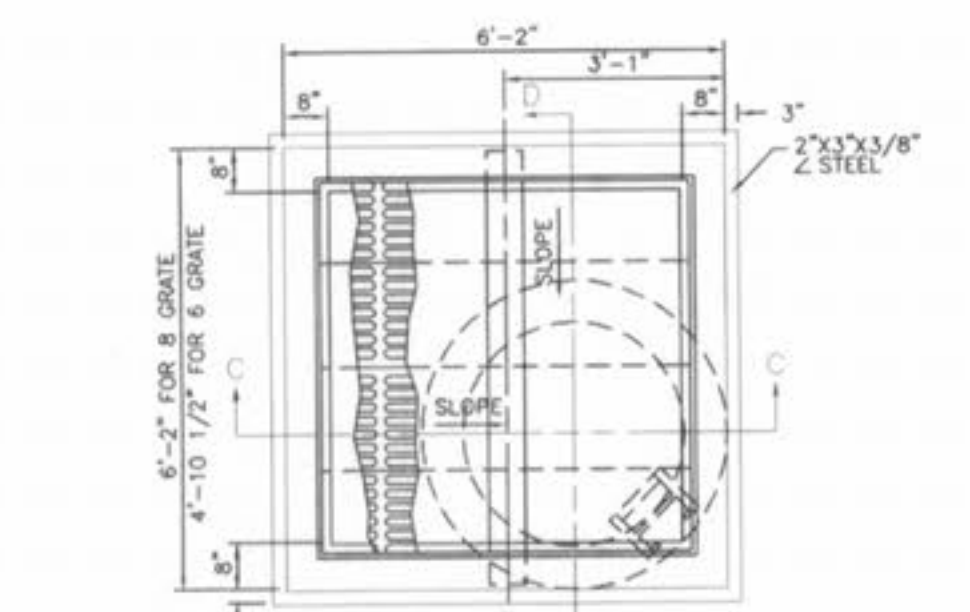
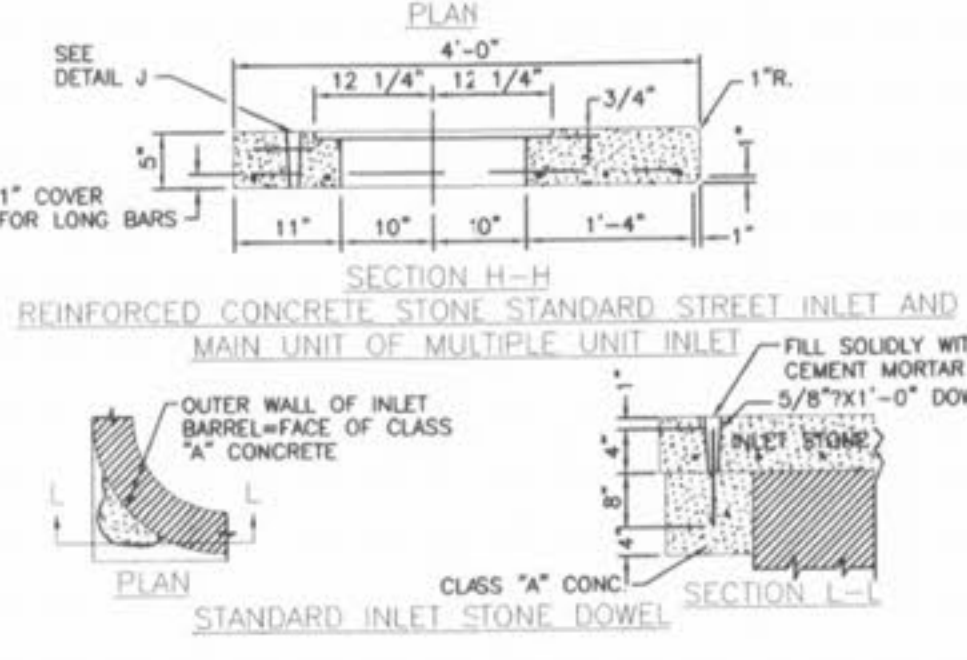
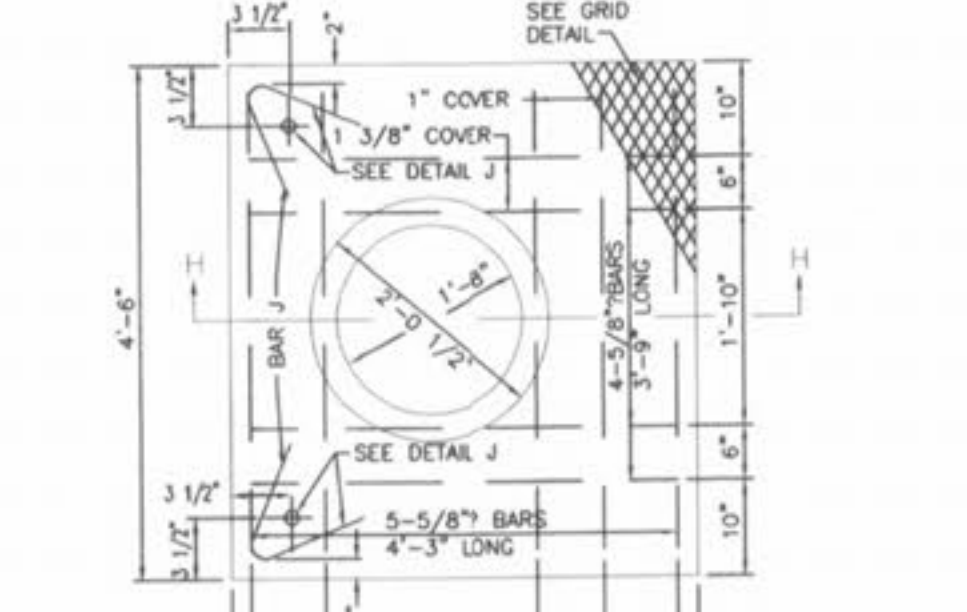


PRECAST CONCRETE UNIT FOR DOUBLE CURB INLET (WITH CONCRETE BASE)



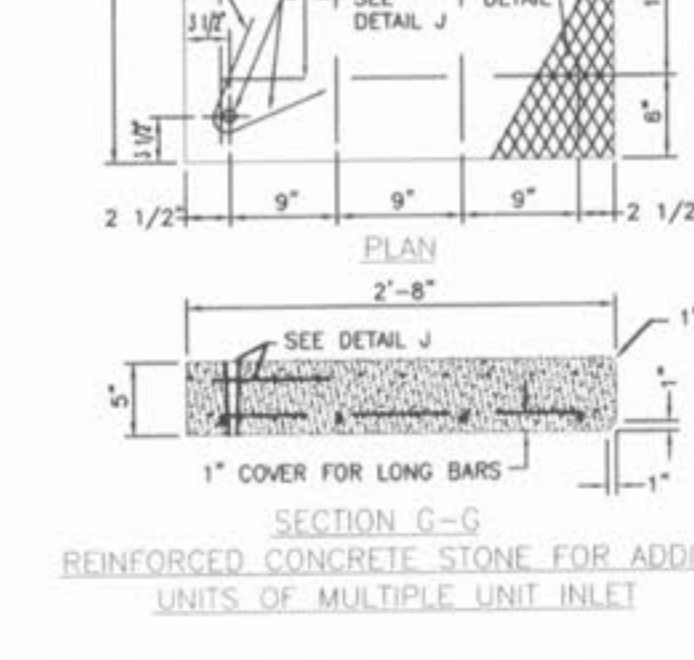
6 & 8 GRATE INLET

PRECAST CONCRETE UNIT FOR DOUBLE CURB INLET (WITH BRICK BASE)

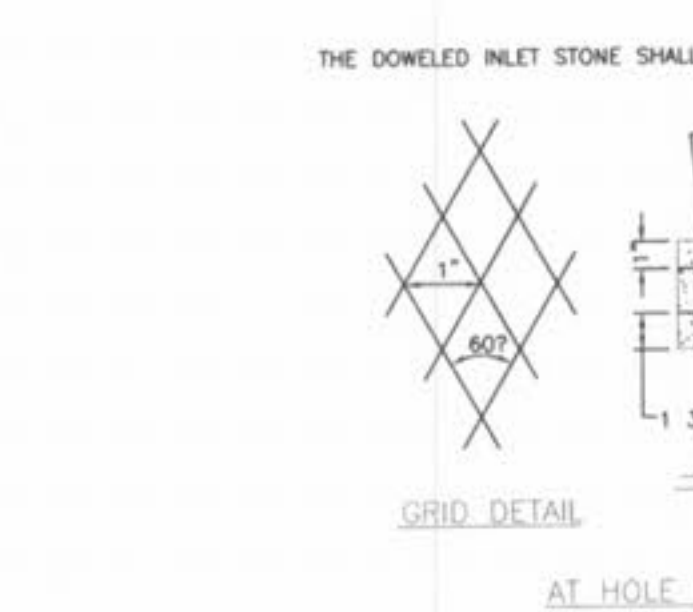


STANDARD - INLET STONES, BLOCKS & DESIGN DETAILS

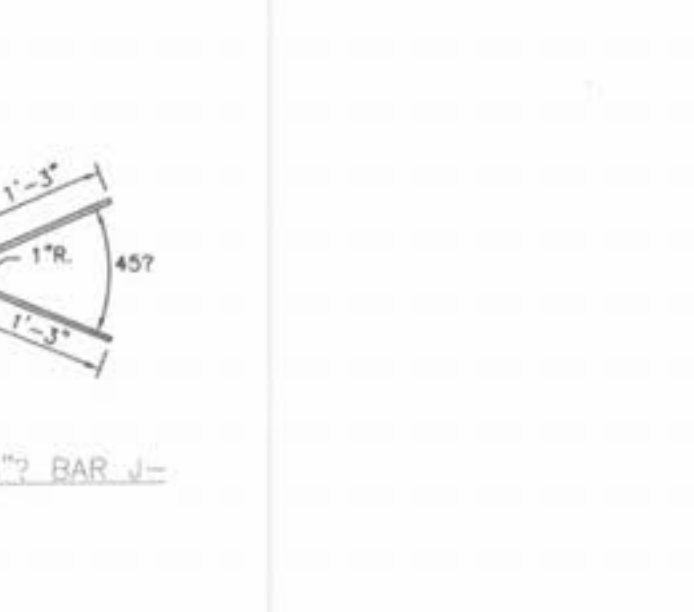
DOUBLE AREA INLET OPEN 4 SIDES



2 GRATE INLET



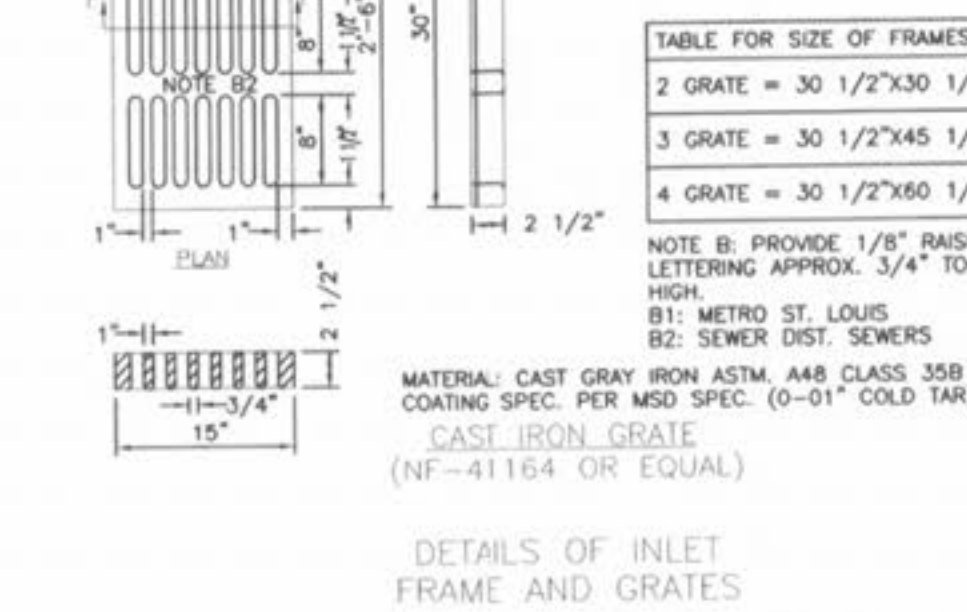
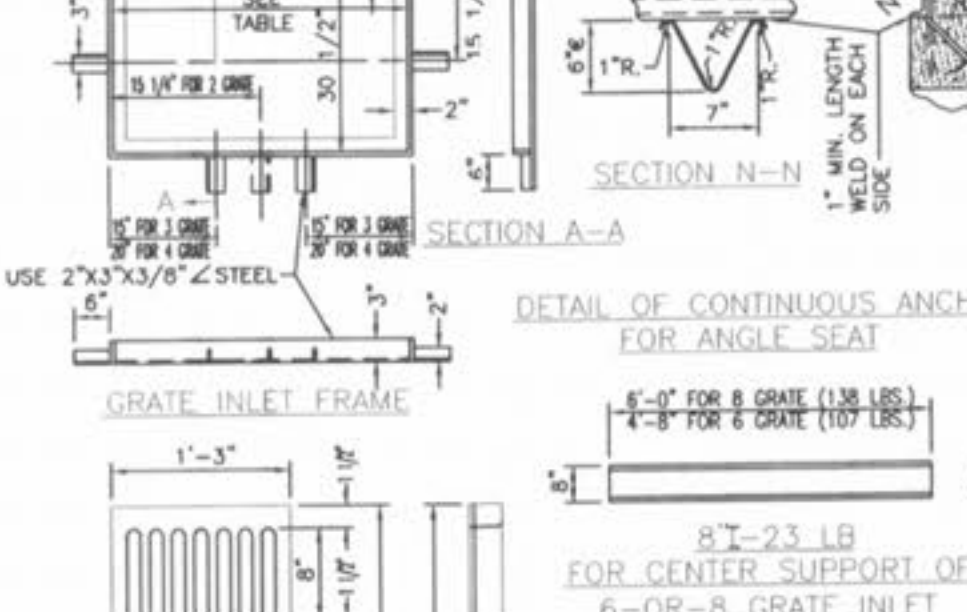
2 GRATE INLET WITH SIDE INTAKE UNIT



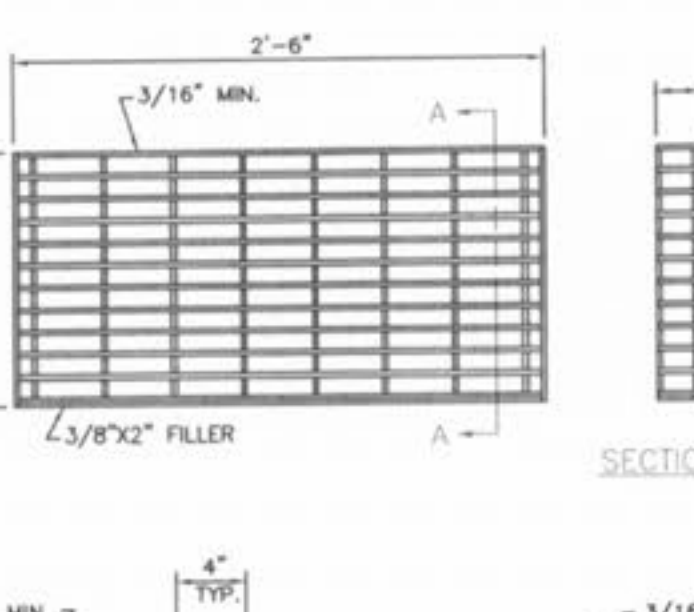
STANDARD - INLET STONES, BLOCKS & DESIGN DETAILS



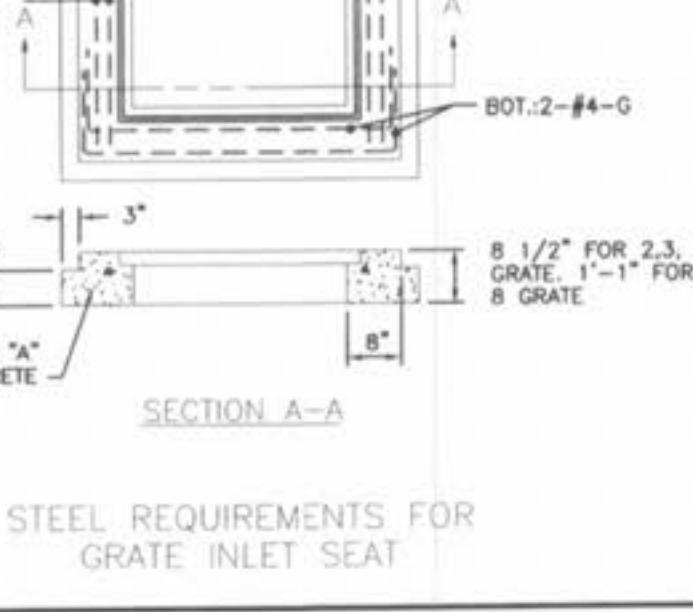
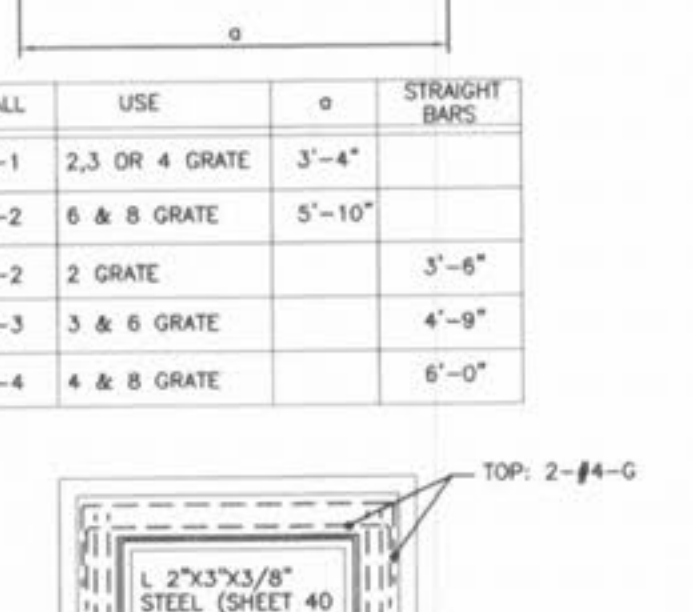
STANDARD - INLET STONES, BLOCKS & DESIGN DETAILS



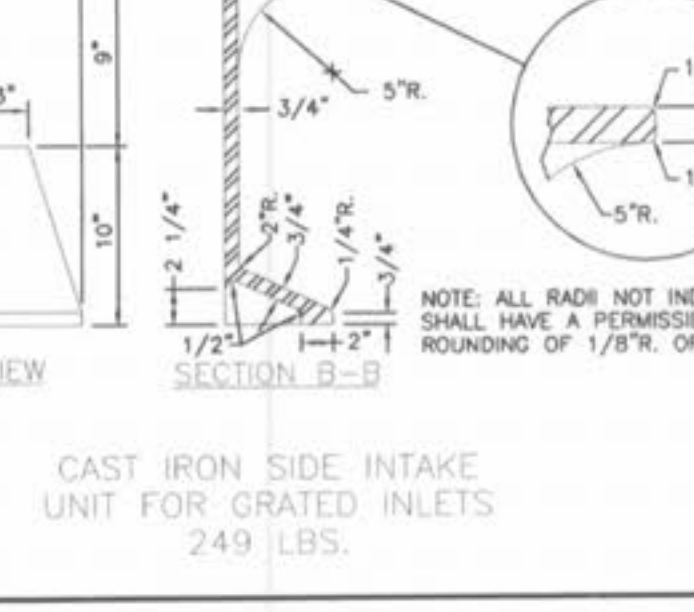
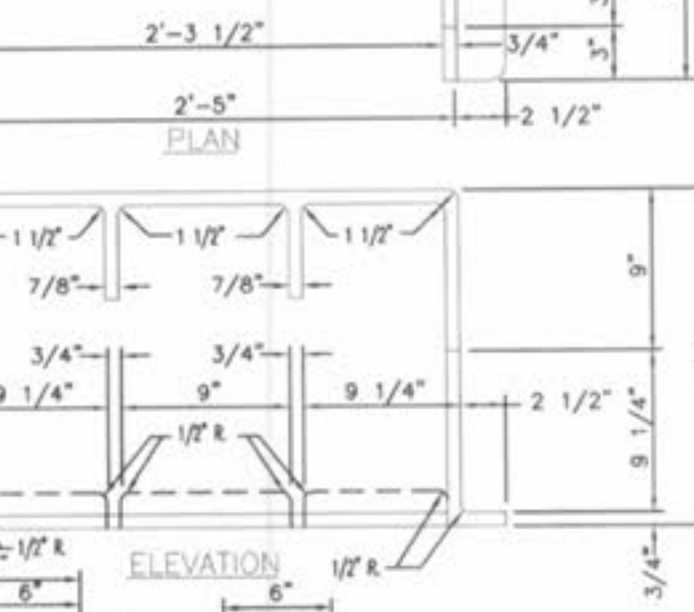
DOUBLE AREA INLET OPEN 4 SIDES



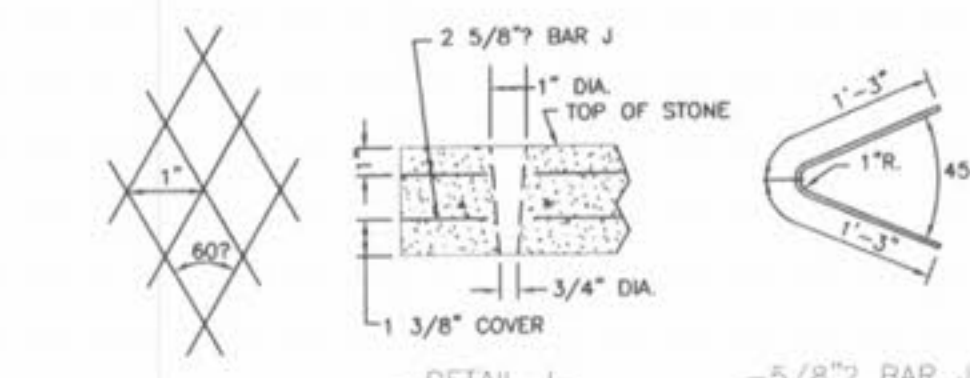
2 GRATE INLET



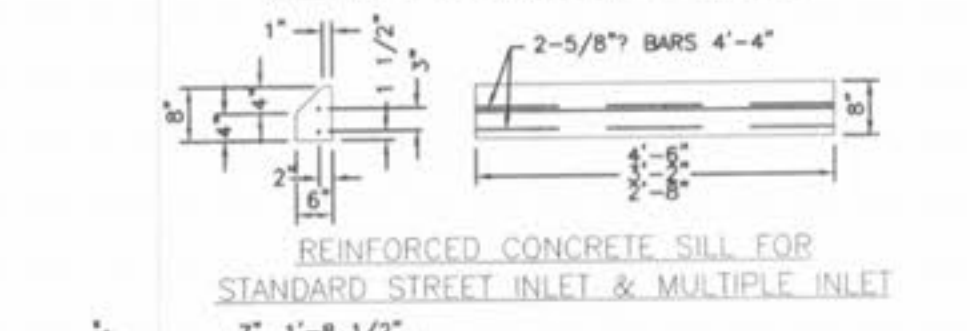
2 GRATE INLET WITH SIDE INTAKE UNIT



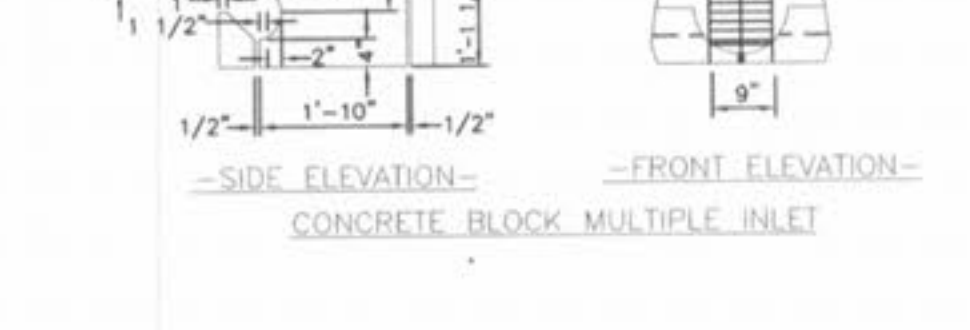
THE DOWELED INLET STONE SHALL BE USED AT ALL LOCATIONS.



AT HOLE FOR DOWEL BAR ANCHOR



REINFORCED CONCRETE SILL FOR STANDARD STREET INLET & MULTIPLE INLET



**PICKETT RAY & SILVER**  
 CIVIL ENGINEERS  
 PLANNERS  
 LAND SURVEYORS

333 Mid Rivers Mall Drive  
 St. Peters, MO 63376  
 Phone (636) 397-1211  
 Fax (636) 397-1104

WELLINGTON PARK  
 CONSTRUCTION DETAILS

Prepared For:  
**THE JONES COMPANY**  
 Building, Homes Since 1927  
 A CENTEX Company

1646 CHESTERFIELD GROVE BLVD  
 CHESTERFIELD, MO 63005  
 616-255-5047

REVISIONS	NO.	DATE

**ENGINEERS AUTHENTICATION**  
 The responsibility for professional engineering liability on this project is hereby limited to the set of plans authenticated by the seal, signature, and date hereunder attached. Responsibility is disclaimed for all other engineering plans involved in this project and specifically excludes revisions after this date unless reauthenticated.

PICKETT, RAY & SILVER, INC.

DRAWN: E.J.S. DATE: 02-24-03  
 CHECKED: DATE:   
 PROJECT # 02077.JCCH.OOR  
 TASK # 6 FIELD 1997B  
 BOOK 821

WELLINGTON PARK  
 CONSTRUCTION DETAILS

SHEET 14 OF 23  
 © Copyright 2003 by Pickett, Ray & Silver, Inc.