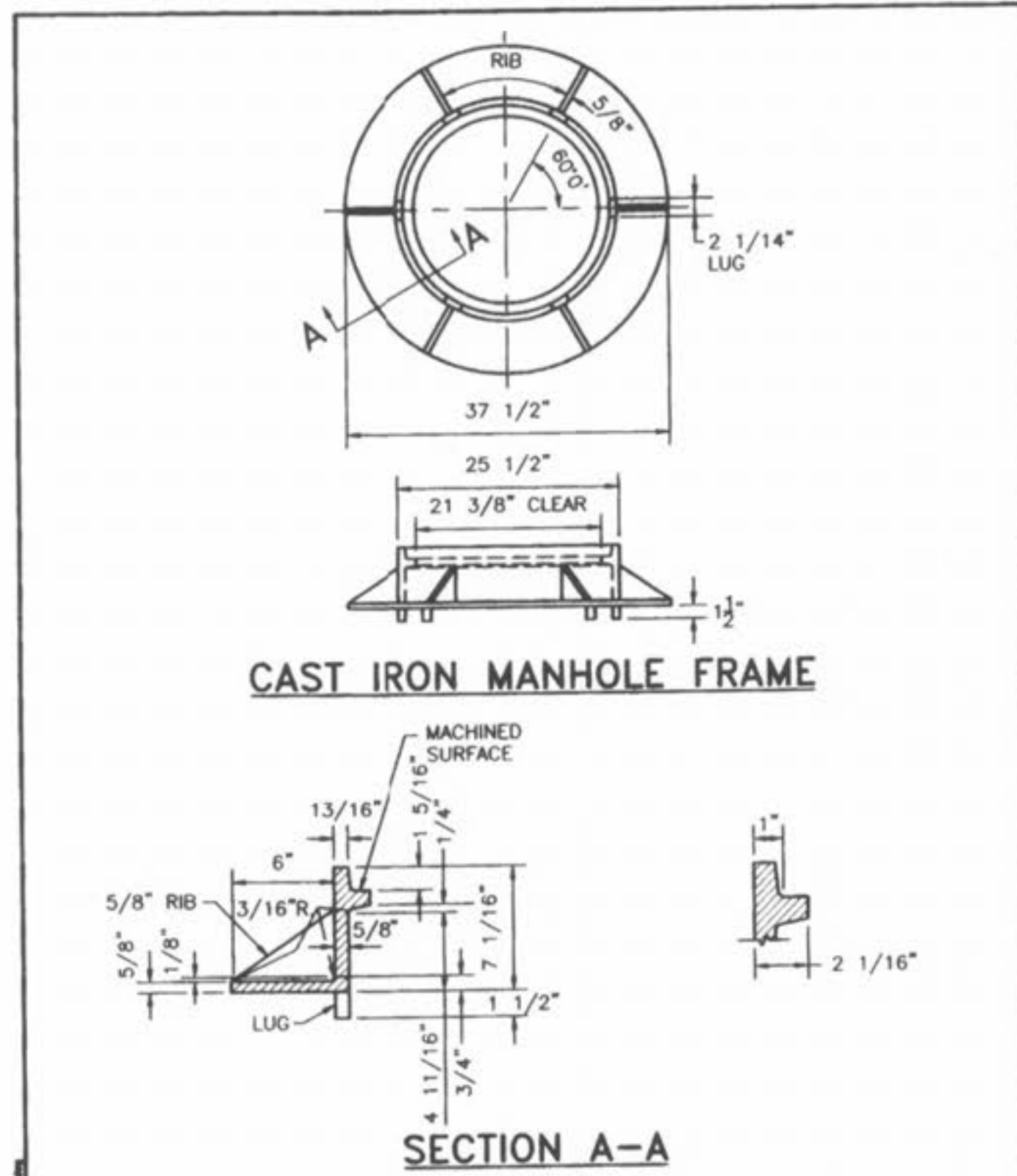


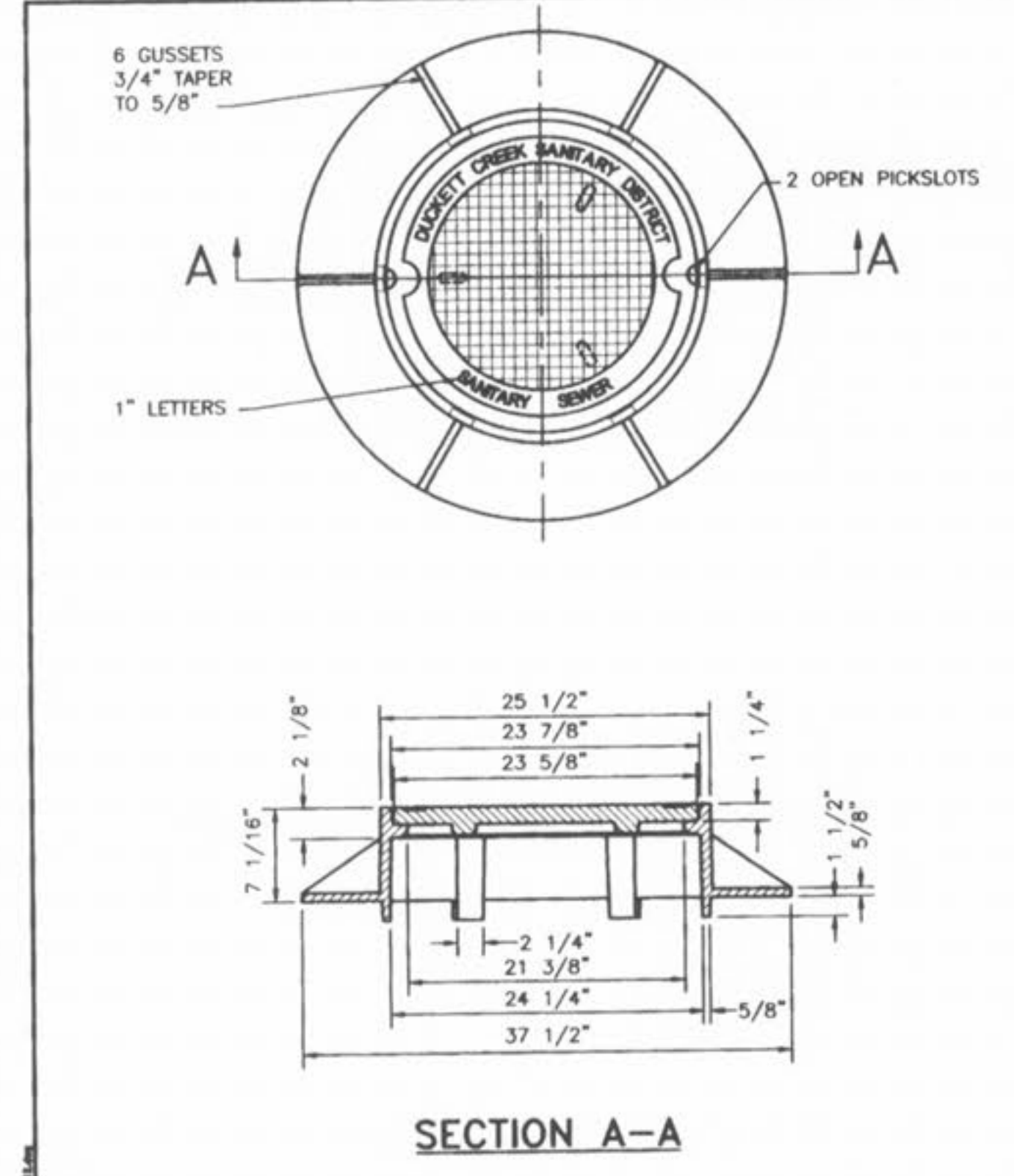
Duckett Creek Sanitary District

Item No.	Rev.	By	Date	App. No.	Detail No.
10		BSM	01-10-00	KLA	
		MDOB			



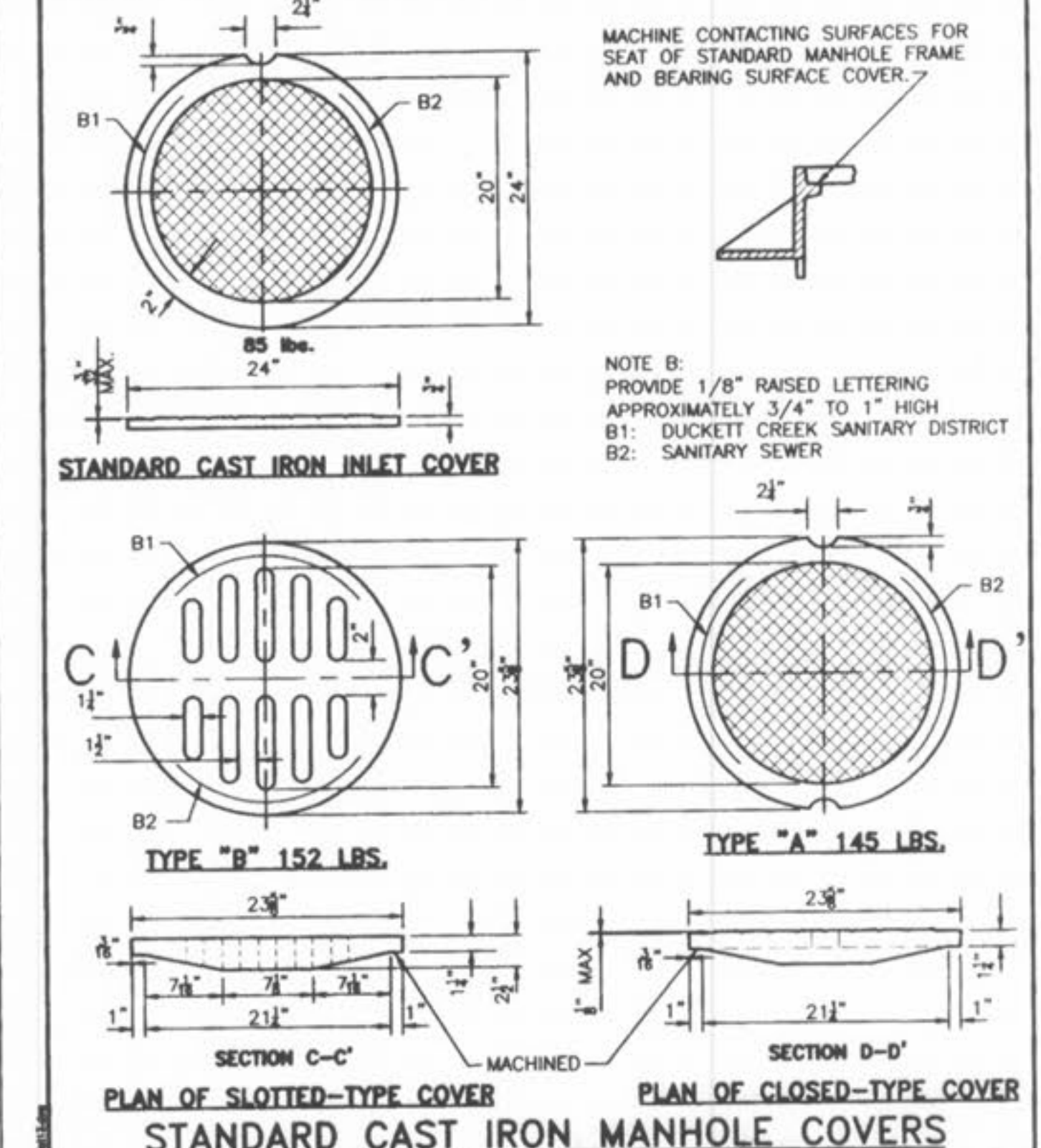
Duckett Creek Sanitary District

Item No.	Rev.	By	Date	App. No.	Detail No.
11		BSM	01-14-00	KLA	
		MDOB			



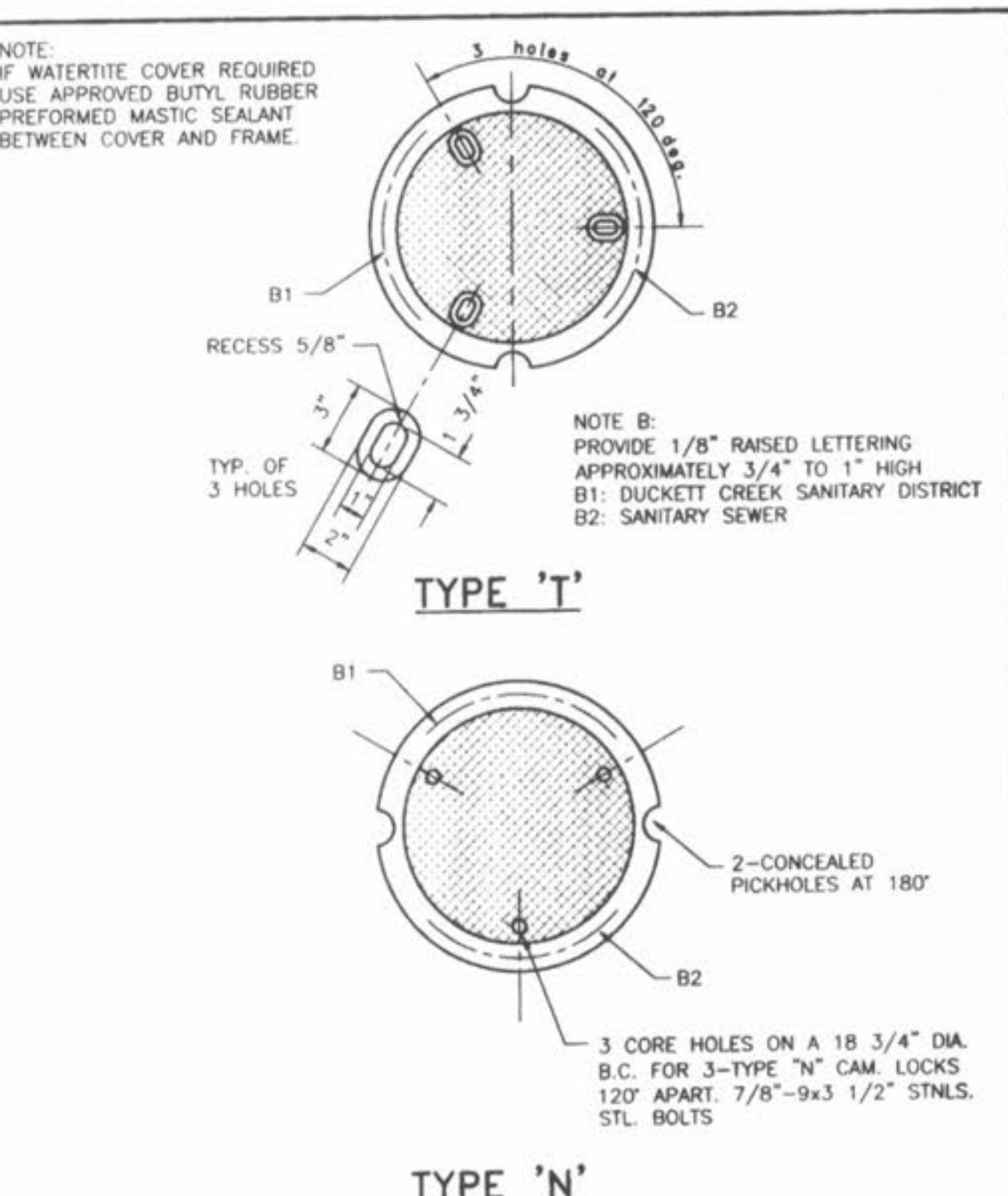
Duckett Creek Sanitary District

Item No.	Rev.	By	Date	App. No.	Detail No.
12		BSM	01-14-00	KLA	
		MDOB			



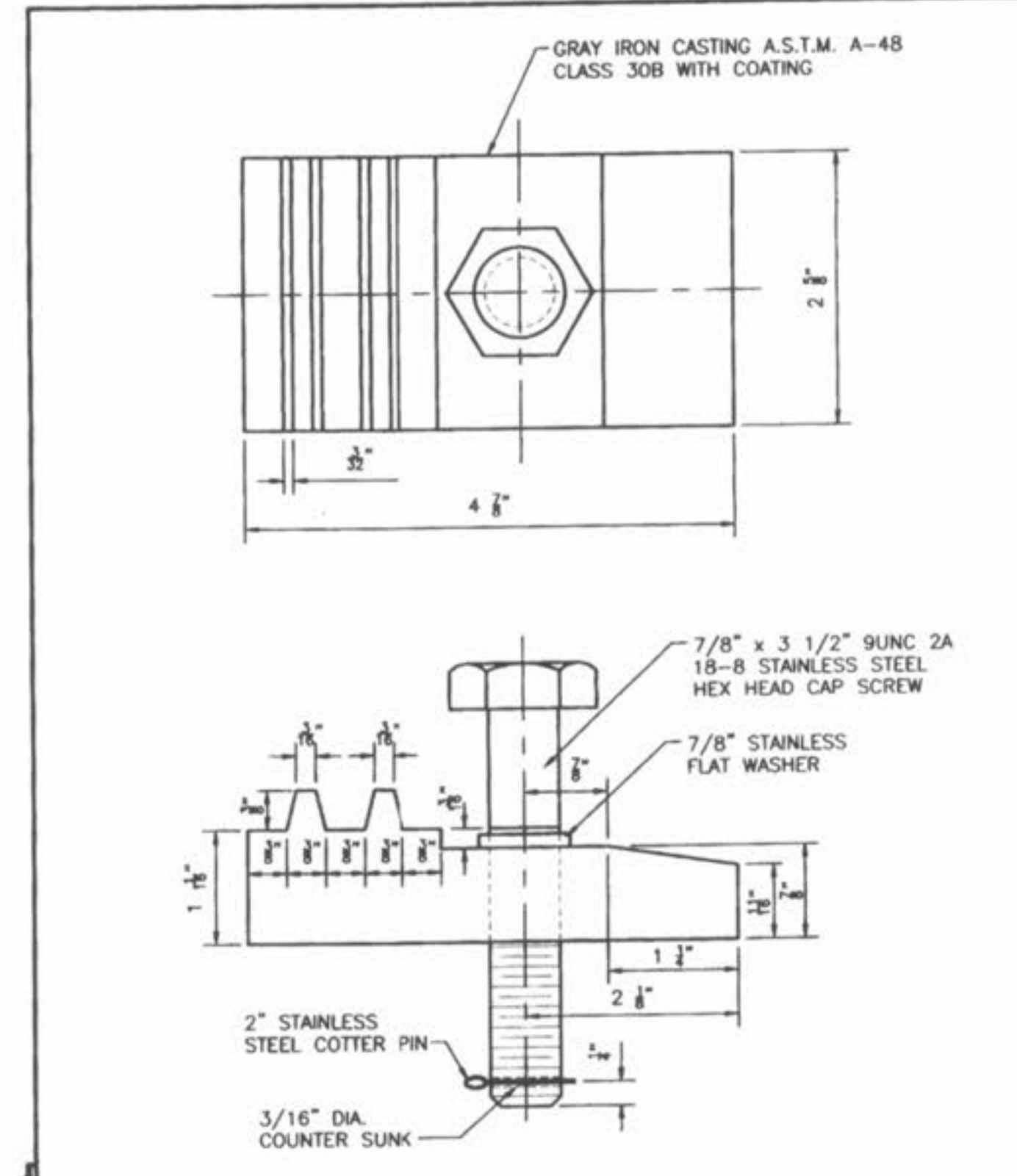
Duckett Creek Sanitary District

Item No.	Rev.	By	Date	App. No.	Detail No.
13		BSM	12-22-00	KLA	
		MDOB			



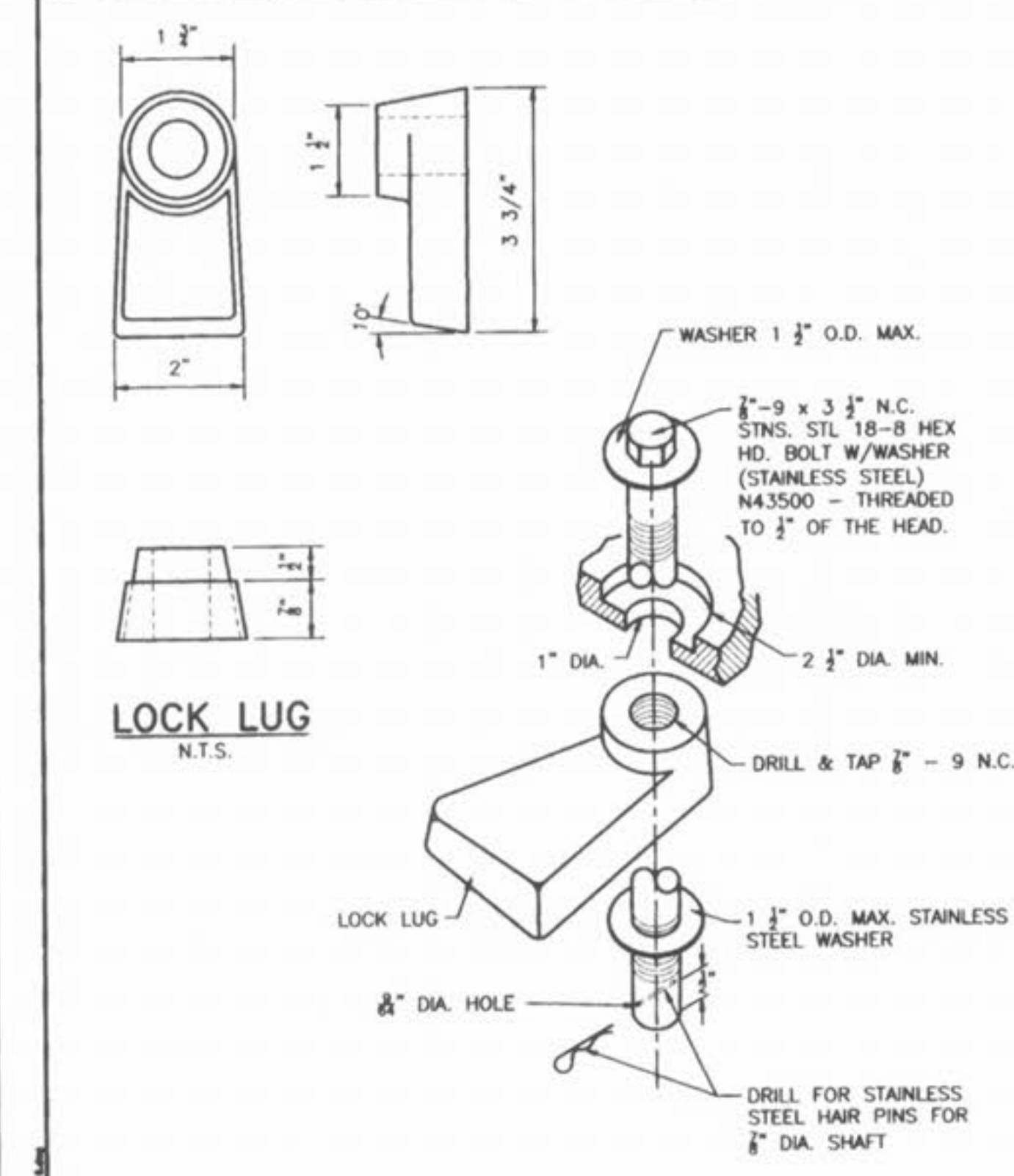
Duckett Creek Sanitary District

Item No.	Rev.	By	Date	App. No.	Detail No.
14		BSM	12-27-00	KLA	
		MDOB			



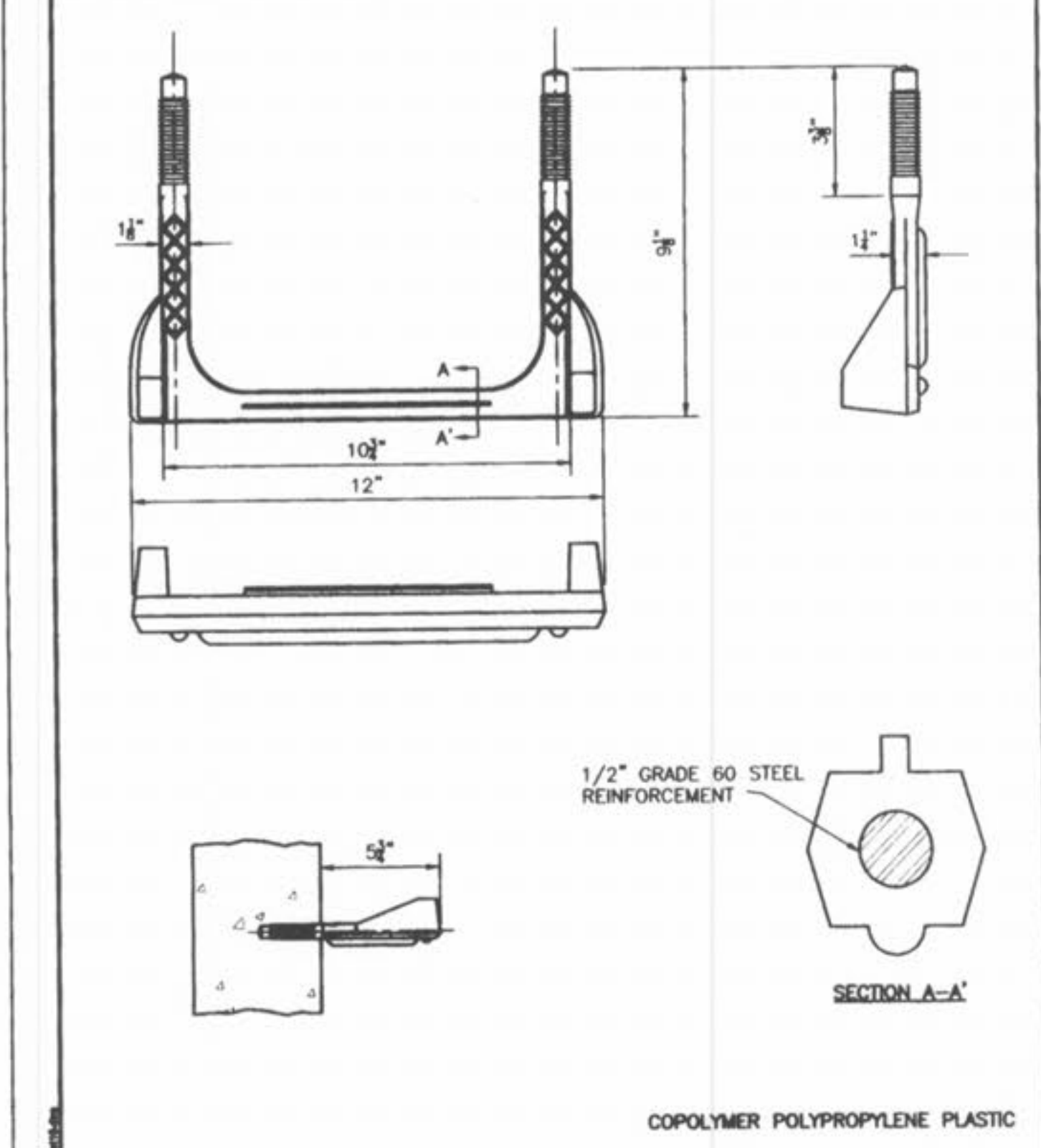
Duckett Creek Sanitary District

Item No.	Rev.	By	Date	App. No.	Detail No.
15		BSM	12-27-00	KLA	
		MDOB			



Duckett Creek Sanitary District

Item No.	Rev.	By	Date	App. No.	Detail No.
16		BSM	12-28-00	KLA	
		MDOB			



Duckett Creek Sanitary District

Item No.	Rev.	By	Date	App. No.	Detail No.
18		BSM	1-3-01	KLA	
		MDOB			

PICKETT RAY & SILVER

333 Mid Rivers Mall Drive
 St. Peters, MO 63376
 Phone (636) 397-1211
 Fax (636) 397-1104

CIVIL ENGINEERS
 PLANNERS
 LAND SURVEYORS

16466 Chesterfield Chase Blvd.
 Chesterfield, MO 63005
 (314) 235-7587

WELLINGTON PARK
 DETAILS

THE JONES COMPANY
 Building Homes Since 1927
 A CENTEX Company

NO.	REVISIONS	DATE	BY

DRAWN E.J.S. DATE 03-04-03
 CHECKED DATE
 PROJECT # 02077-UCCH-00R
 TASK # 6 FIELD 1997B
 BOOK B21

SANITARY SEWER PROFILES
 SHEET 17 OF 23
 Copyright 2003 by Pickett, Ray & Silver Inc.