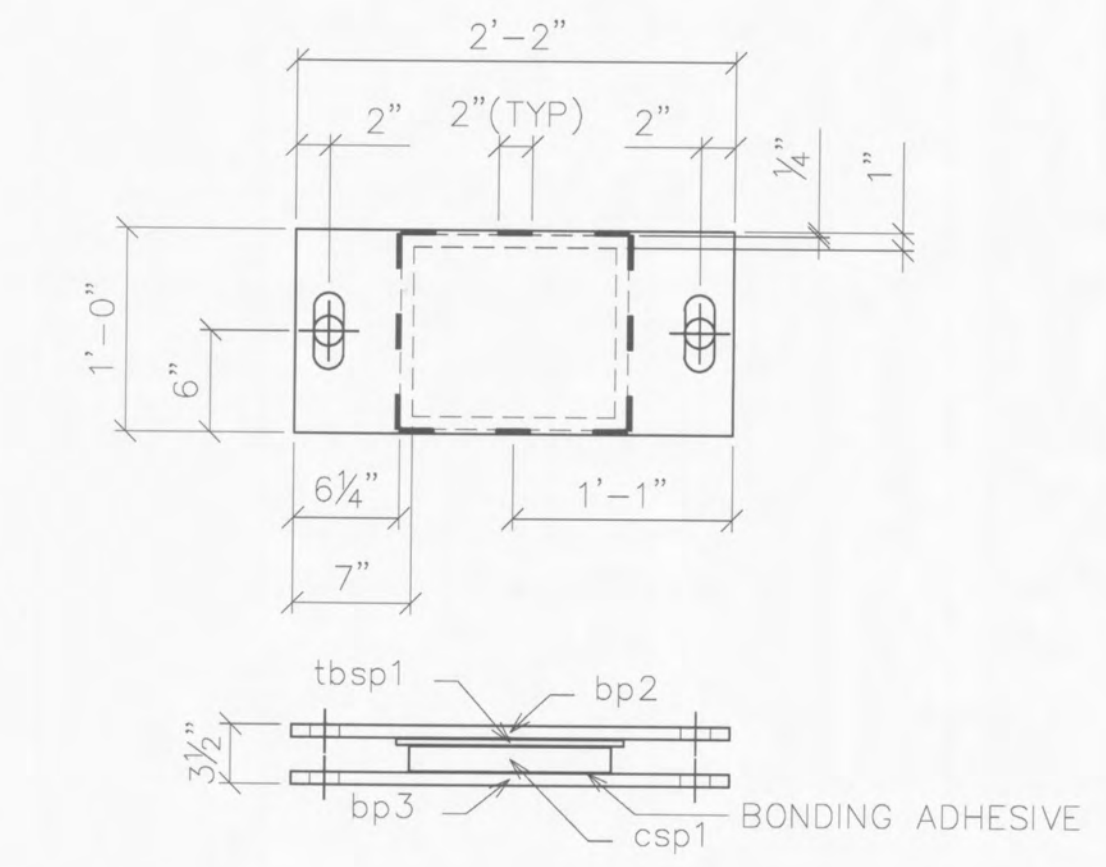


2 - BEARING PLATE - BP1 (FIXED)
NOTE: ELASTOMERIC PAD TO BE BONDED TO TRUSS BEARING PLATE WITH AN EPOXY ADHESIVE (LORD TWO PART EPOXY ADHESIVE, 310A AND 310B)



2 - BEARING PLATE - BP2 (EXPANSION)
NOTE: ELASTOMERIC PAD TO BE BONDED TO TRUSS BEARING PLATE WITH AN EPOXY ADHESIVE (LORD TWO PART EPOXY ADHESIVE, 310A AND 310B)

MATERIAL SCHEDULE								
PC	QTY	PN	FAMILY	PROFILE	LENGTH	GRADE	WGT	
							EACH (lb)	TOTAL (lb)
PART NO.=BP1			QTY=2	FINISH=GALV	TOTAL WGT=450.65(lb)			
2		bp1	BEARING PLATE	Plate 1"x1'-0"	2'-2"	STEEL A572-50	87.1	174.3
1		csp1	CON-SLIDE PAD	Plate 1 1/2"x10"	1'-0"	User	51.0	51.0
							225.33	
PART NO.=BP2			QTY=2	FINISH=GALV	TOTAL WGT=392.44(lb)			
1		bp2	BEARING PLATE	Plate 3/4"x1'-0"	2'-2"	STEEL A572-50	63.3	63.3
1		bp3	BEARING PLATE	Plate 3/4"x1'-0"	2'-2"	STEEL A572-50	65.4	65.4
1		csp1	CON-SLIDE PAD	Plate 1 1/2"x10"	1'-0"	User	51.0	51.0
1		tbsp1	TRSS BRG SL PL W/20GA SS	Plate 3/8"x11 1/2"	1'-1 1/2"	STEEL	16.5	16.5
							196.22	
Total element mass (lb)							843.09	

FOR REVIEW
NOT FOR FABRICATION
1/31/13

SYMBOLS & ABBREVIATIONS

ES: EACH SIDE	NS: NEAR SIDE
EQ: EQUAL	FS: FAR SIDE
CL: CENTERLINE	WP/Φ: WORK POINT
REF: REFERENCE	GA: GAUGE
CHK: CHECK	ID: INSIDE DIAMETER
OD: OUT TO OUT	OD: OUTSIDE DIAMETER
C/C: CENTER TO CENTER	BRG: BEARING
F/F: FACE TO FACE	TYP: TYPICAL
DIA/φ: DIAMETER	UNO: UNLESS NOTED OTHERWISE
R: RADIUS	ABUT: ABUTMENT
	T&B: TOP & BOTTOM

DIST. BY: **CONTECH** CONSTRUCTION PRODUCTS INC. www.contech-cpi.com

FAB. BY: **U.S. BRIDGE** BRIDGING AMERICA SINCE 1956

SUBMITTAL LOG	DATE	NO:	DATE:	REVISIONS:	BY:
INITIAL SUBMITTAL	1/31/13	▲			
RESUBMITTAL NO.	-	▲			
CUSTOMER APPROVAL	-	▲			
SHOP REVIEW	-	▲			
PRE FAB MTG	-	▲			
APPROVED FOR FAB	-	▲			

WENTZVILLE HIGH SCHOOL
WENTZVILLE, MISSOURI

DESIGN: SAF DRAW: JEC REVIEW: DLM CHECK: CJG

CONSTRUCTION PLANS / ABUTMENTS USB JOB# 51687 SHEET 4a / 40 TOTAL