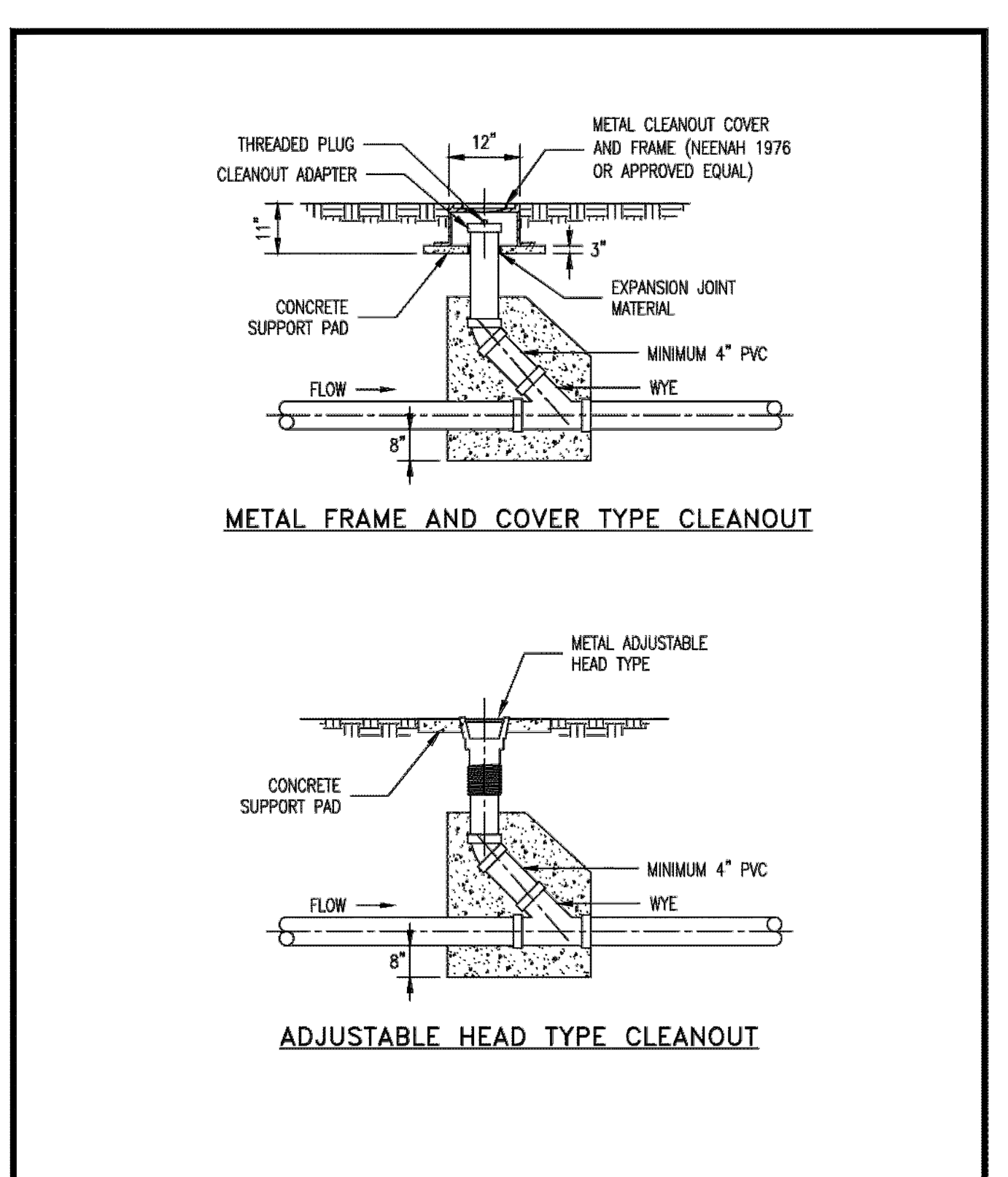


ISSUE	DATE / REMARKS
1	8-10-2016 Initial Submittal
2	9-1-2016 PWSO #2 & DCSO Comments
3	10-24-16 City Comments
4	11-15-16 DCSO Comments
5	12-22-16 City Comments
6	12-28-16 DCSO Comments
7	1-18-17 PWSO #2 Comments
8	1-26-17 Fire District Comments
9	1-27-17 City Comments
10	3-1-17 City Comments

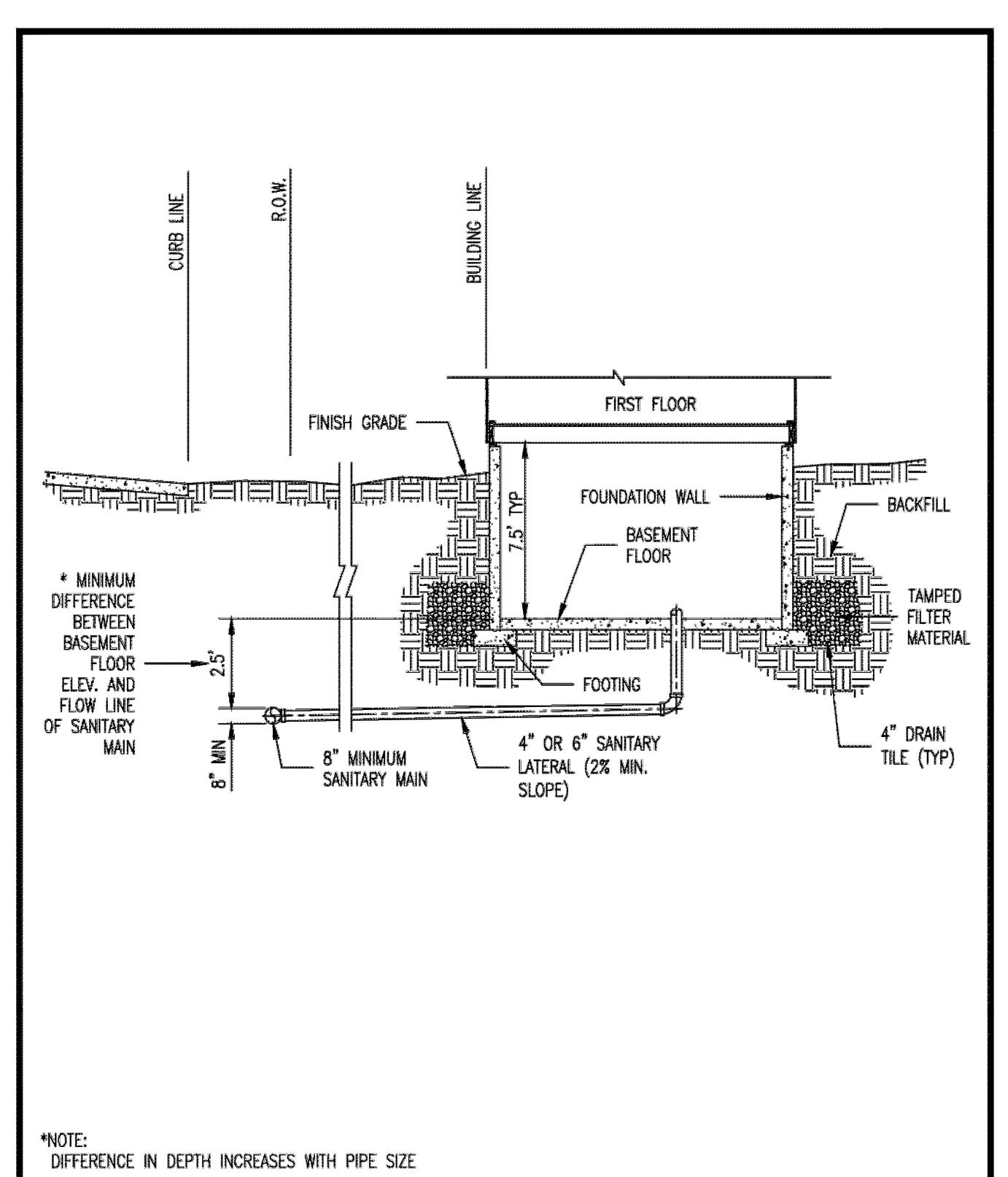


Duckett Creek Sanitary District

TYPICAL SEWER LATERAL CLEANOUT DETAIL

Own By: BSM App By: KLA Detail No. 25

Drawn By: MDOB Date: DEC. 2015

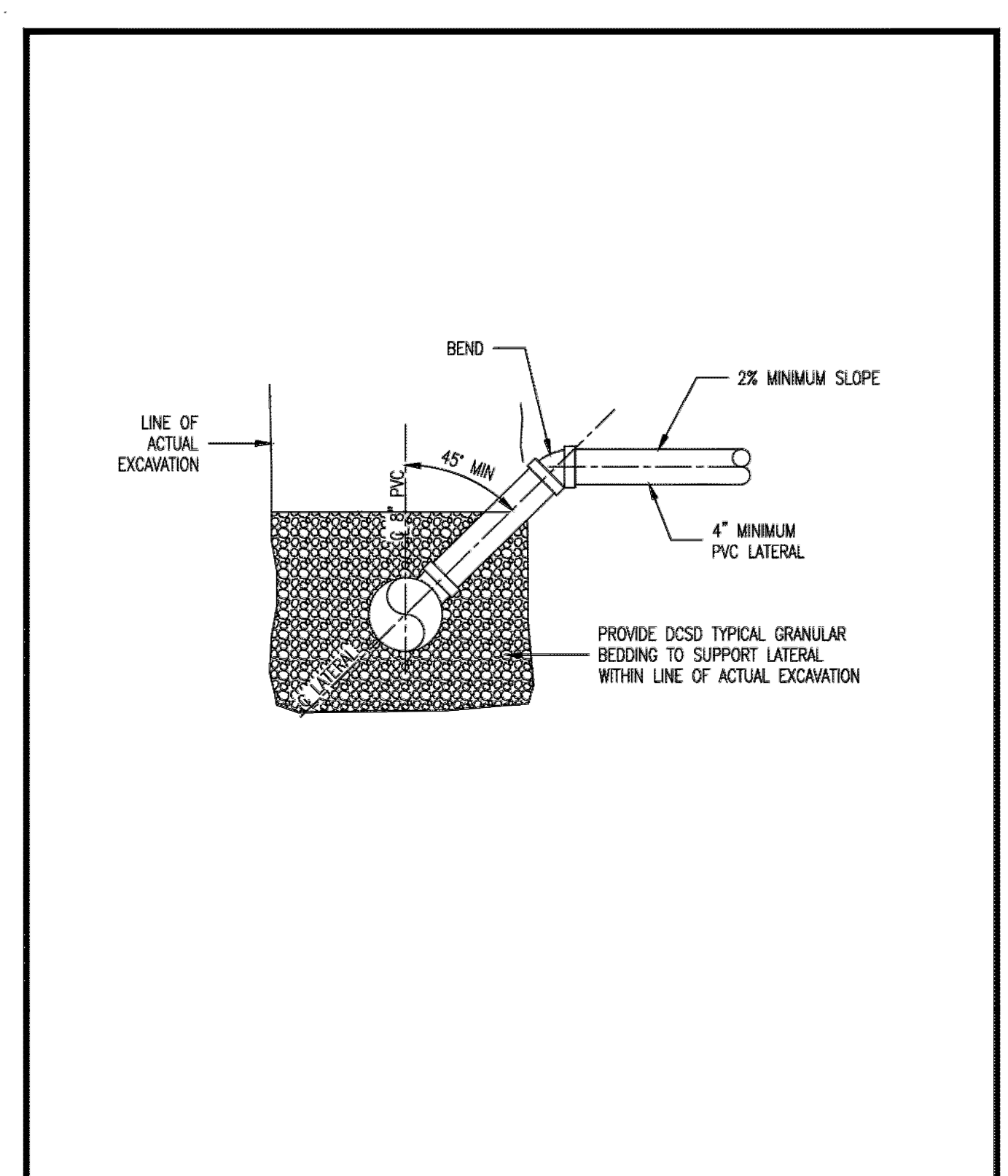


Duckett Creek Sanitary District

TYPICAL SANITARY SEWER LATERAL PROFILE

Own By: BSM App By: KLA Detail No. 26

Drawn By: MDOB Date: DEC. 2015

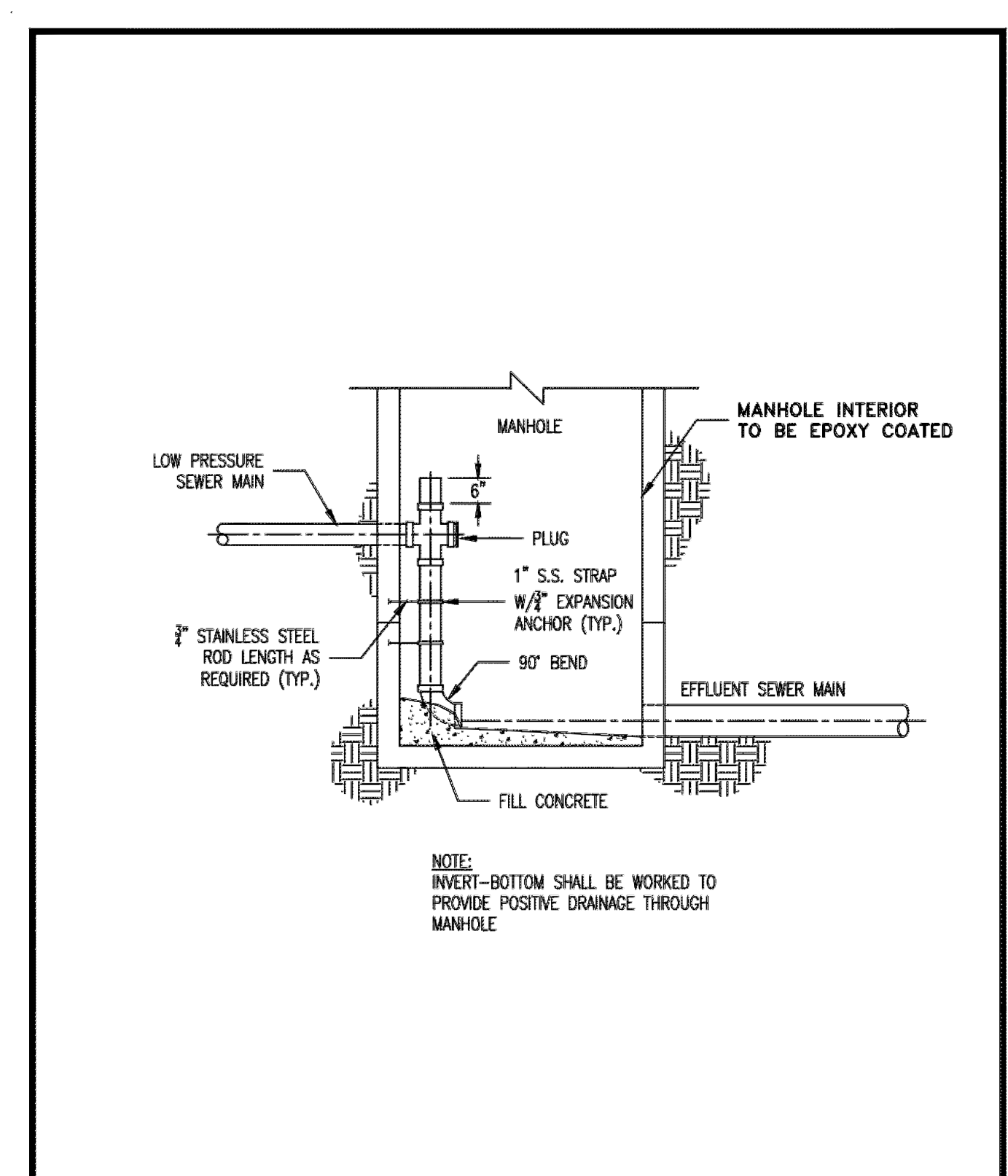


Duckett Creek Sanitary District

SANITARY SEWER LATERAL RISER DETAIL

Own By: BSM App By: KA Detail No. 27

Drawn By: MDOB Date: DEC. 2015

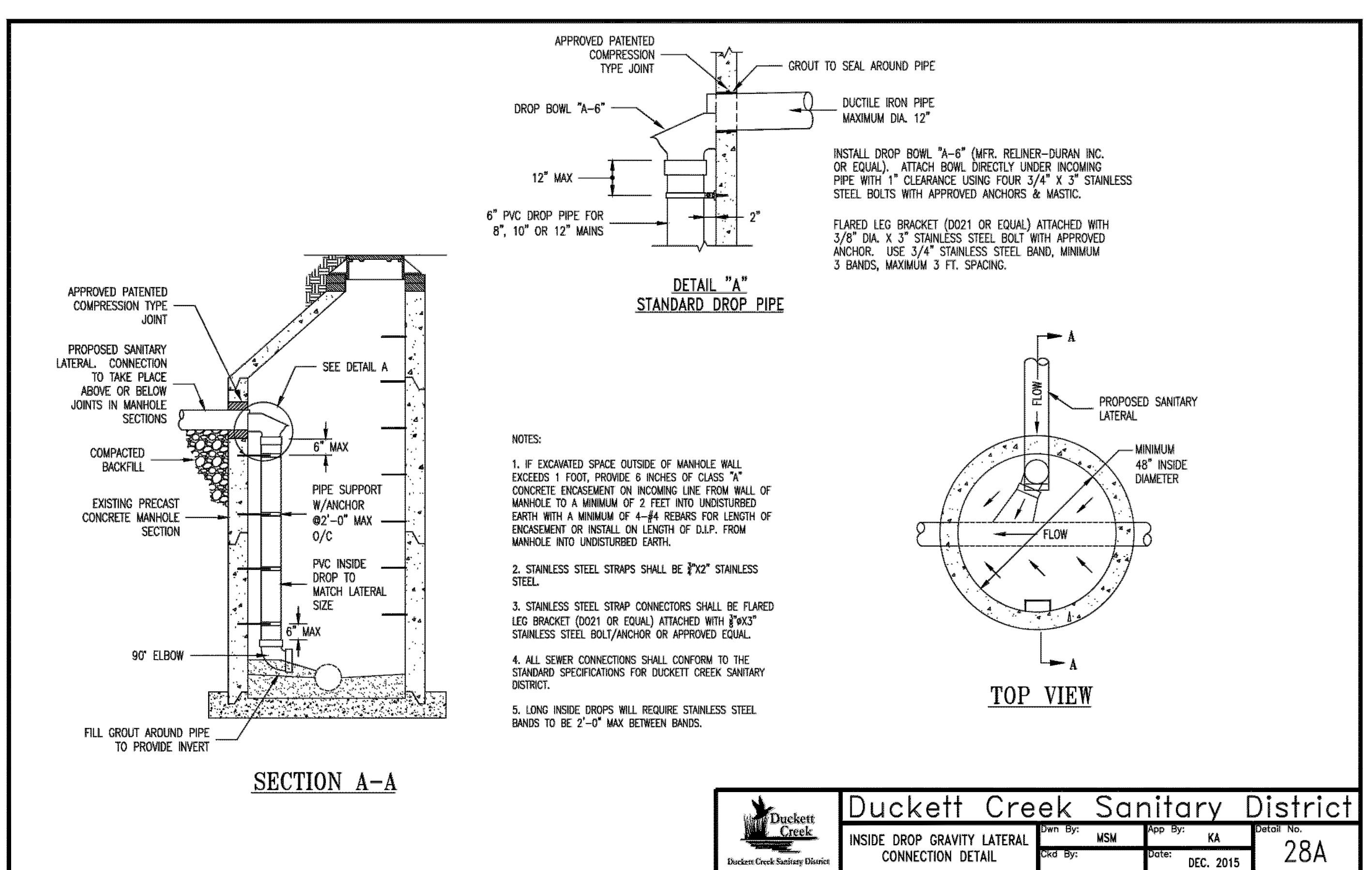


Duckett Creek Sanitary District

LOW PRESSURE SEWER MAIN CONNECTION AT MANHOLE

Own By: BSM App By: KA Detail No. 28

Drawn By: MDOB Date: DEC. 2015

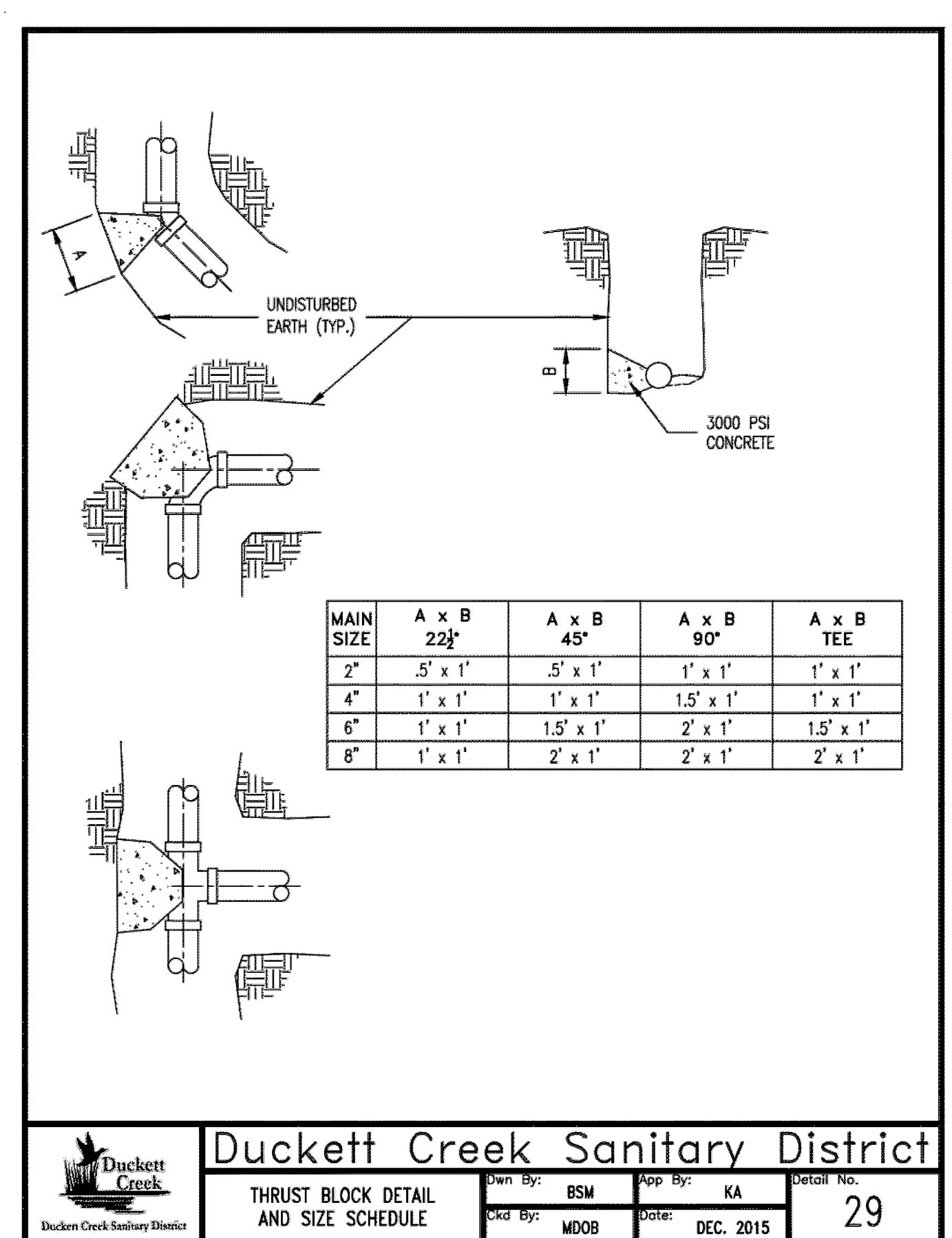


Duckett Creek Sanitary District

INSIDE DROP GRAVITY LATERAL CONNECTION DETAIL

Own By: MSM App By: KA Detail No. 28A

Drawn By: MDOB Date: DEC. 2015



Duckett Creek Sanitary District

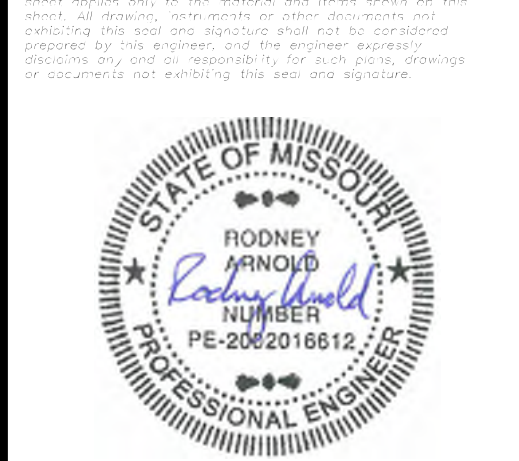
THRUST BLOCK DETAIL AND SIZE SCHEDULE

Own By: BSM App By: KA Detail No. 29

Drawn By: MDOB Date: DEC. 2015

PROJECT TITLE
WESTLEIGH
OFFALLON, MISSOURI

THE **STERLING** CO.
ENGINEERS & SURVEYORS
5055 New Baumgartner Road
St. Louis, Missouri 63129
Ph 314-487-0440 Fax 314-487-8944
www.sterling-eng-sur.com
Corporate Certificate of Authority #001348



Date: 3/01/2017
RODNEY ARNOLD
LICENSE # PE-2002016612
Civil Engineer

Lombardo Homes of St. Louis, LLC
2299 Technology Drive, Suite 150
O'Fallon, Missouri 63368
Ph. (636) 265-2710
Fax (636) 695-3195
www.lombardohomesstlouis.com

SANITARY SEWER DETAILS

P+Z No. P&Z NO
City No. 15-162-SP
Date: 3/01/2017
Job No. 14-10-348

Page No.
DTL-6
IMP