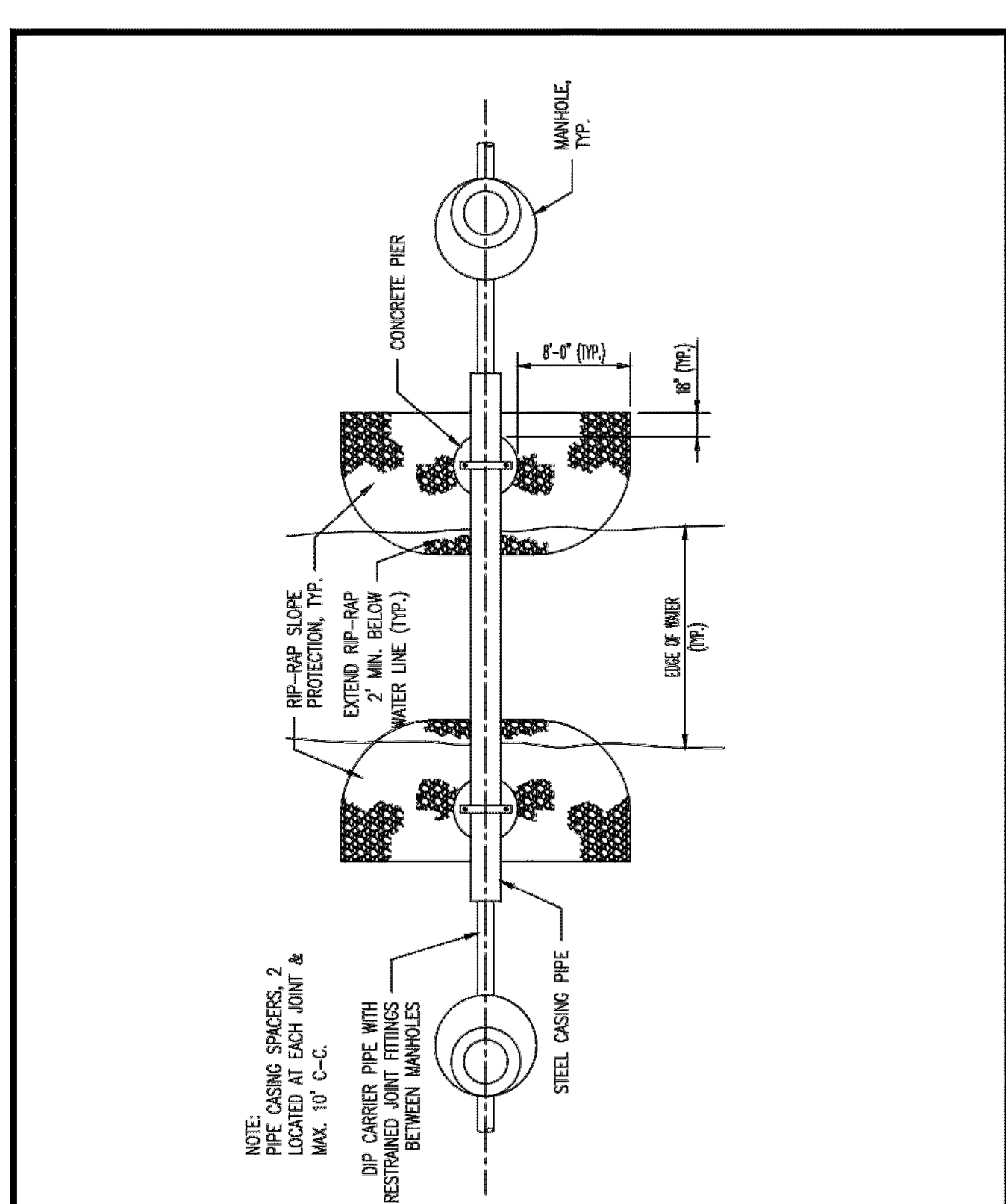
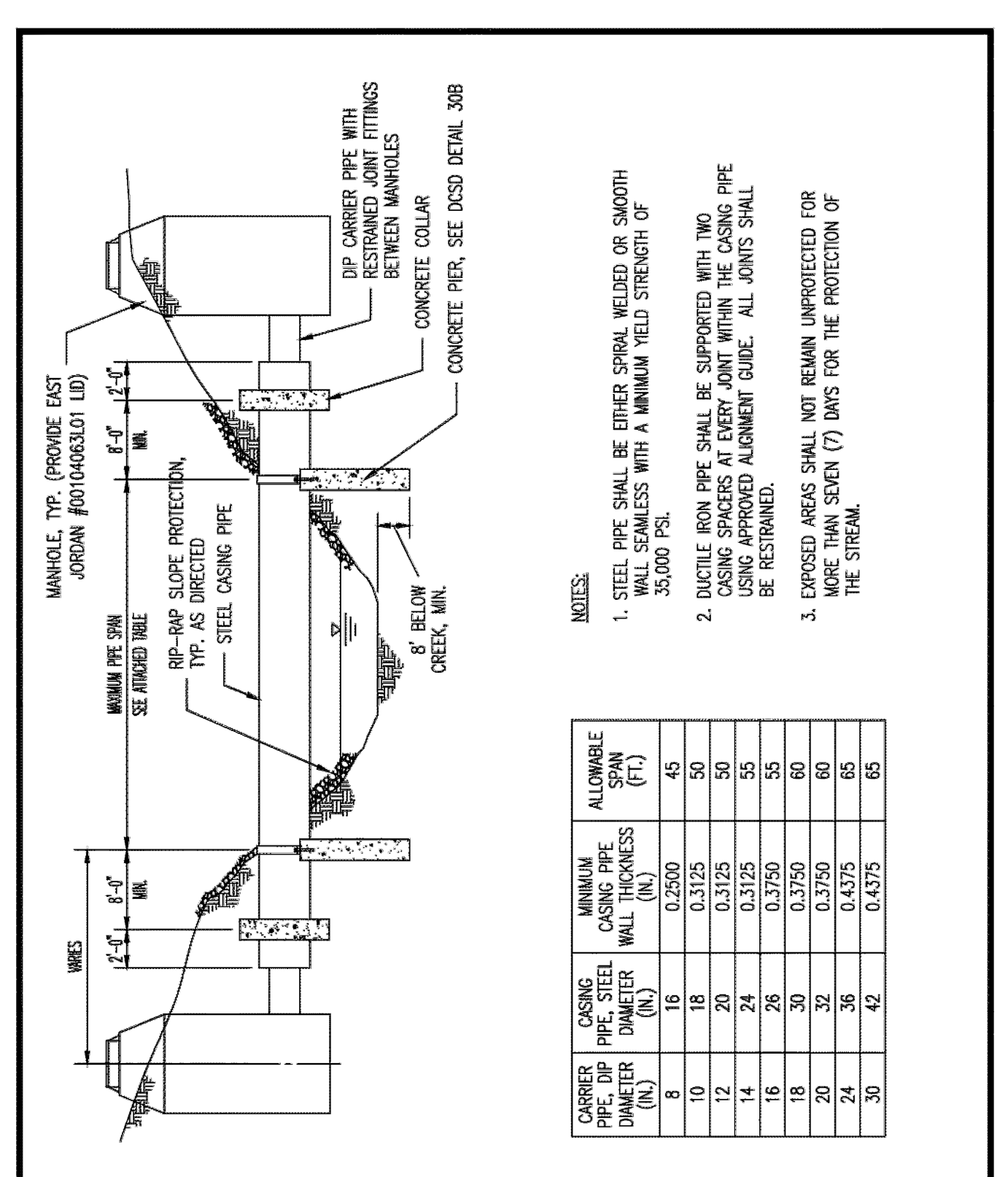


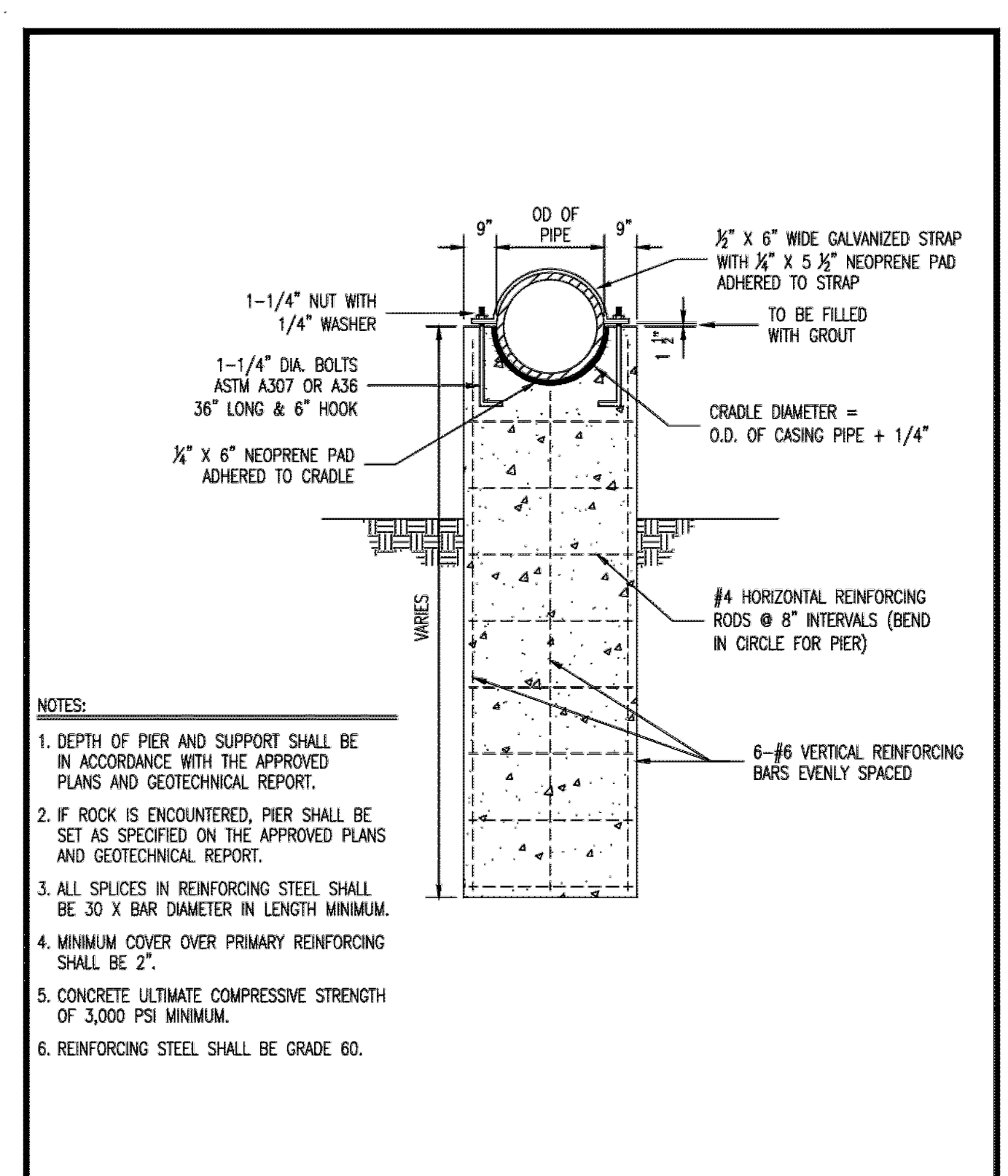
ISSUE	DATE / REMARKS
1	8-10-2016 Initial Submittal
2	9-1-2016 PWSO #2 & DCSO Comments
3	10-24-16 City Comments
4	11-15-16 DCSO Comments
5	12-12-16 City Comments
6	12-28-16 DCSO Comments
7	1-18-17 PWSO #2 Comments
8	1-26-17 Fire District Comments
9	1-27-17 City Comments
10	3-1-17 City Comments



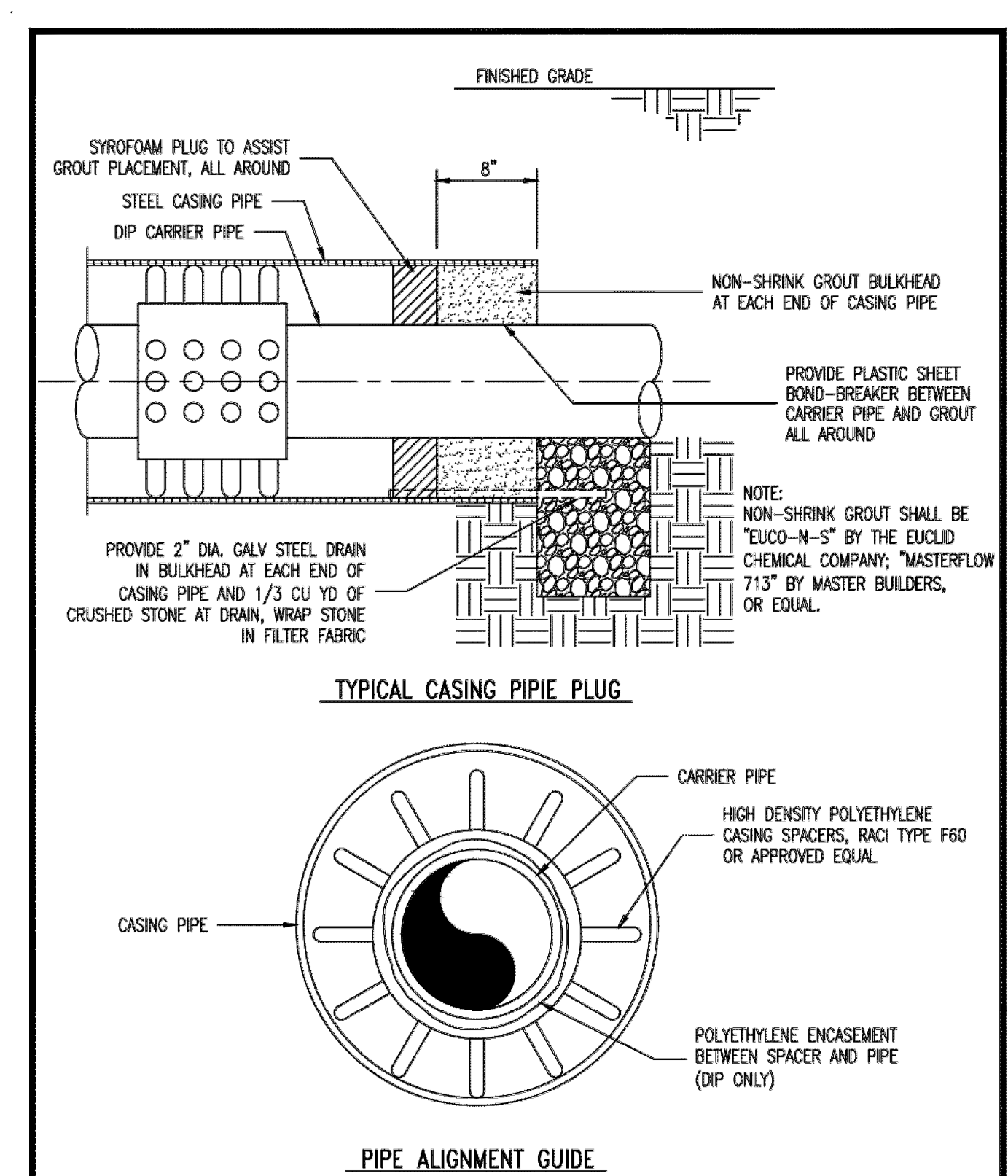
Duckett Creek Sanitary District
ARIEL CROSSING TYPICAL PLAN
Dwn By: MSM App By: KA Detail No. 30A
Cnd By: Date: JULY 2016



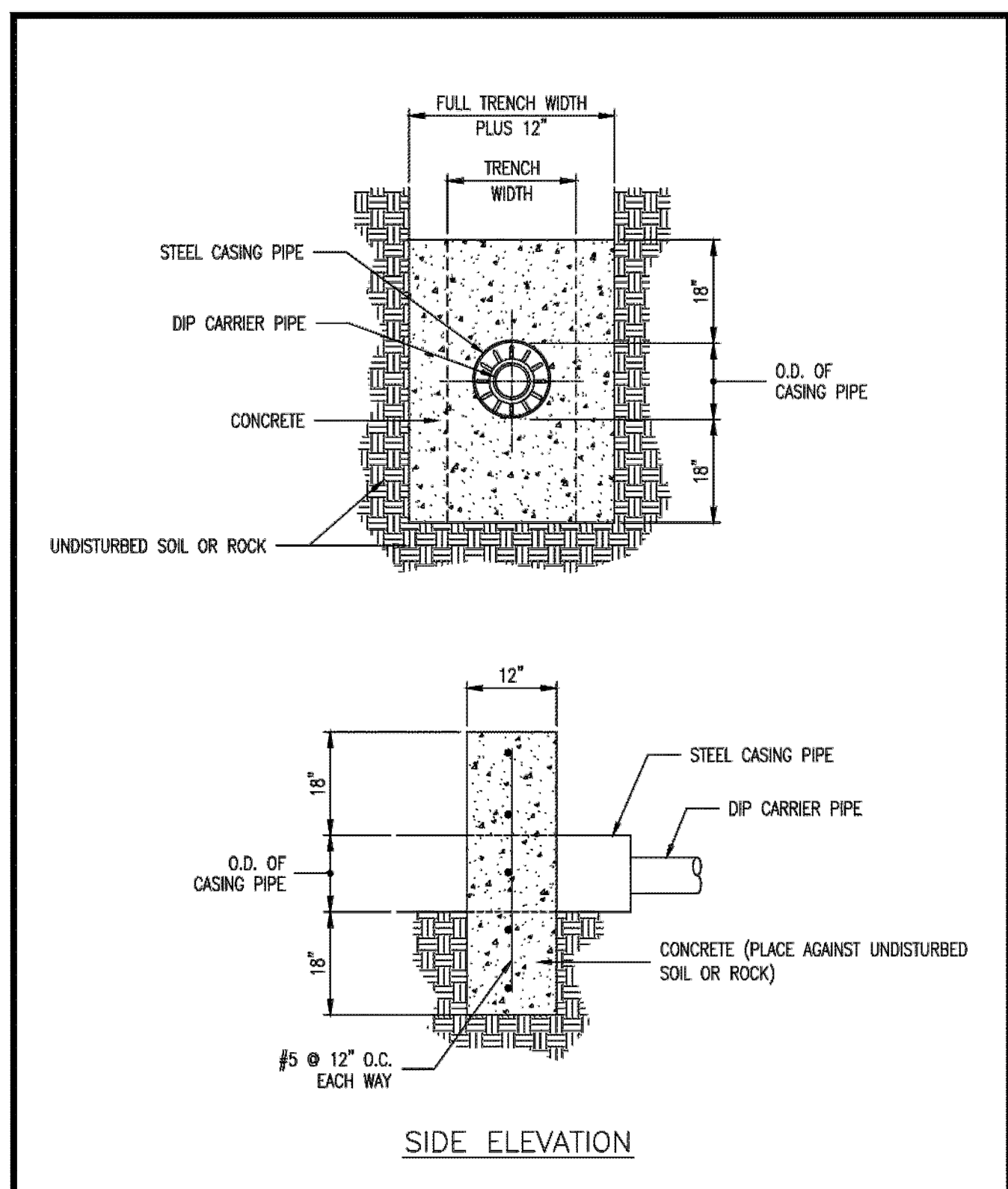
Duckett Creek Sanitary District
ARIEL CROSSING TYPICAL PROFILE
Dwn By: MSM App By: KA Detail No. 30B
Cnd By: Date: OCT. 2016



Duckett Creek Sanitary District
ARIEL PIPE CROSSING CONCRETE PIER DETAIL
Dwn By: MSM App By: KA Detail No. 30C
Cnd By: Date: JULY 2016



Duckett Creek Sanitary District
ARIEL PIPE CROSSING CASING PIPE DETAILS
Dwn By: MSM App By: KA Detail No. 30D
Cnd By: Date: JULY 2016



Duckett Creek Sanitary District
ARIEL CROSSING CONCRETE COLLAR DETAIL
Dwn By: MSM App By: KA Detail No. 30E
Cnd By: Date: JULY 2016

Installation Techniques - Link-Seal® Modular Seals
Online Installation Video Visit www.linkseal.com

Link-Seal® Model	Tool Size/Type Req.
LS-200, LS-275	4mm Allen
LS-300, LS-345	6mm Allen
LS-325, LS-340, LS-360	13mm Hex
LS-400, LS-410, LS-425, LS-475	17mm Hex
LS-500, LS-525, LS-575	19mm Hex
LS-600	30mm Hex
LS-650	19mm Hex

Always Wear Safety Equipment When Using Link-Seal® Modular Seals!

Link-Seal® Modular Seal - DO'S:

1. Make sure pipe is clean and dry.
2. Install the seal with the pressure plate evenly spaced.
3. Tighten the seal evenly.

Link-Seal® Modular Seal - DON'T'S:

1. Don't install Link-Seal® modular seals where welds or other irregular surfaces exist without consideration of the sealing requirements.
2. Don't torque wrench bolt completely before moving on to the next.
3. Don't use high speed power tools (4500 rpm or more).
4. Don't use power tools on Link-Seal® modular seal 316 stainless steel bolts.
5. Don't use grease in quality Link-Seal® modular seals.

LINK-SEAL® MODULAR SEALS WITH CAST OR CORE DRILLED WALL OPENING
MANUFACTURED BY PIPELINE SEAL & INSULATOR, INC.
HOUSTON, TEXAS, U.S.A. TEL: 800-423-2410 E-MAIL: INFO@PSIPSI.COM

LS Model	Seal Element	Bolt/Nut	Pressure Plate
EPDM (Black)	Zinc Dichromate/Organic Coated Carbon Steel Bolt	Reinforced Nylon Polymer	
EPDM (Blue)	Zinc Dichromate/Organic Coated Carbon Steel Bolt	Reinforced Nylon Polymer	
Nitrile	Zinc Dichromate/Organic Coated Carbon Steel Bolt	Steel Zinc Chromate	
Silicone	Zinc Dichromate/Organic Coated Carbon Steel Bolt	Steel Zinc Chromate	
C.I./D.S.-316 (same model options)	316 Stainless Steel	Reinforced Nylon Polymer	

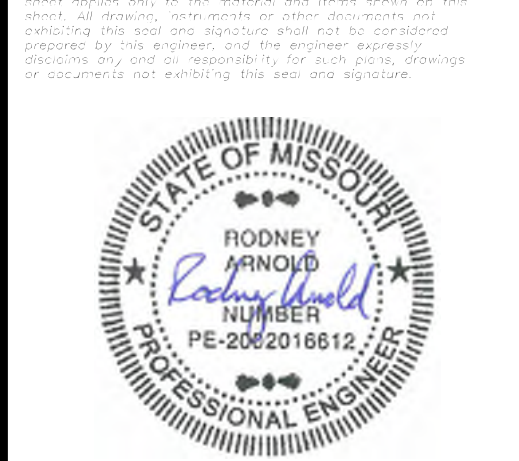
Steele Model Description Material:

CS	Century Line Sleeve	HPET
WS	Steel Wall Sleeve	Steel

For more Material Property Information, see literature at www.linkseal.com.

PROJECT TITLE
WESTLEIGH
OFFALLON, MISSOURI

THE STERLING CO.
ENGINEERS & SURVEYORS
5055 New Baumgartner Road
St. Louis, Missouri 63129
Ph 314-487-0440 Fax 314-487-8944
www.sterling-eng-survey.com
Corporate Certificate of Authority #001348



Date: 3/01/2017
RODNEY ARNOLD
LICENSE # PE-2002016612
Civil Engineer

Lombardo Homes of St. Louis, LLC
2299 Technology Drive, Suite 150
O'Fallon, Missouri 63366
Ph: (636) 265-2710
Fax (636) 695-3195
www.lombardohomesstlouis.com

SANITARY SEWER DETAILS

P+Z No. P&Z NO
City No. 15-162-SP
Date: 3/01/2017
Job No. 14-10-348

Page No.
DTL-7
IMP