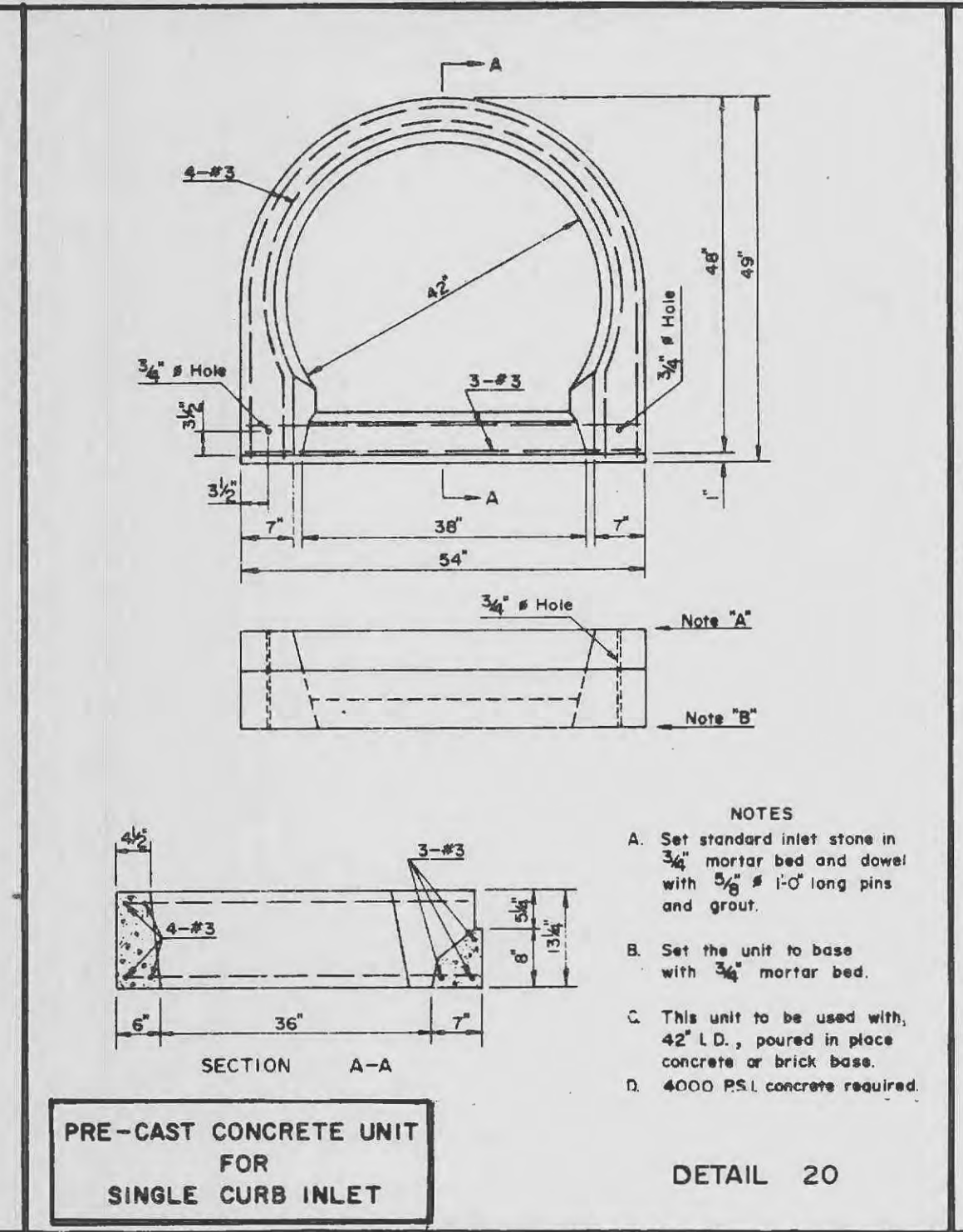
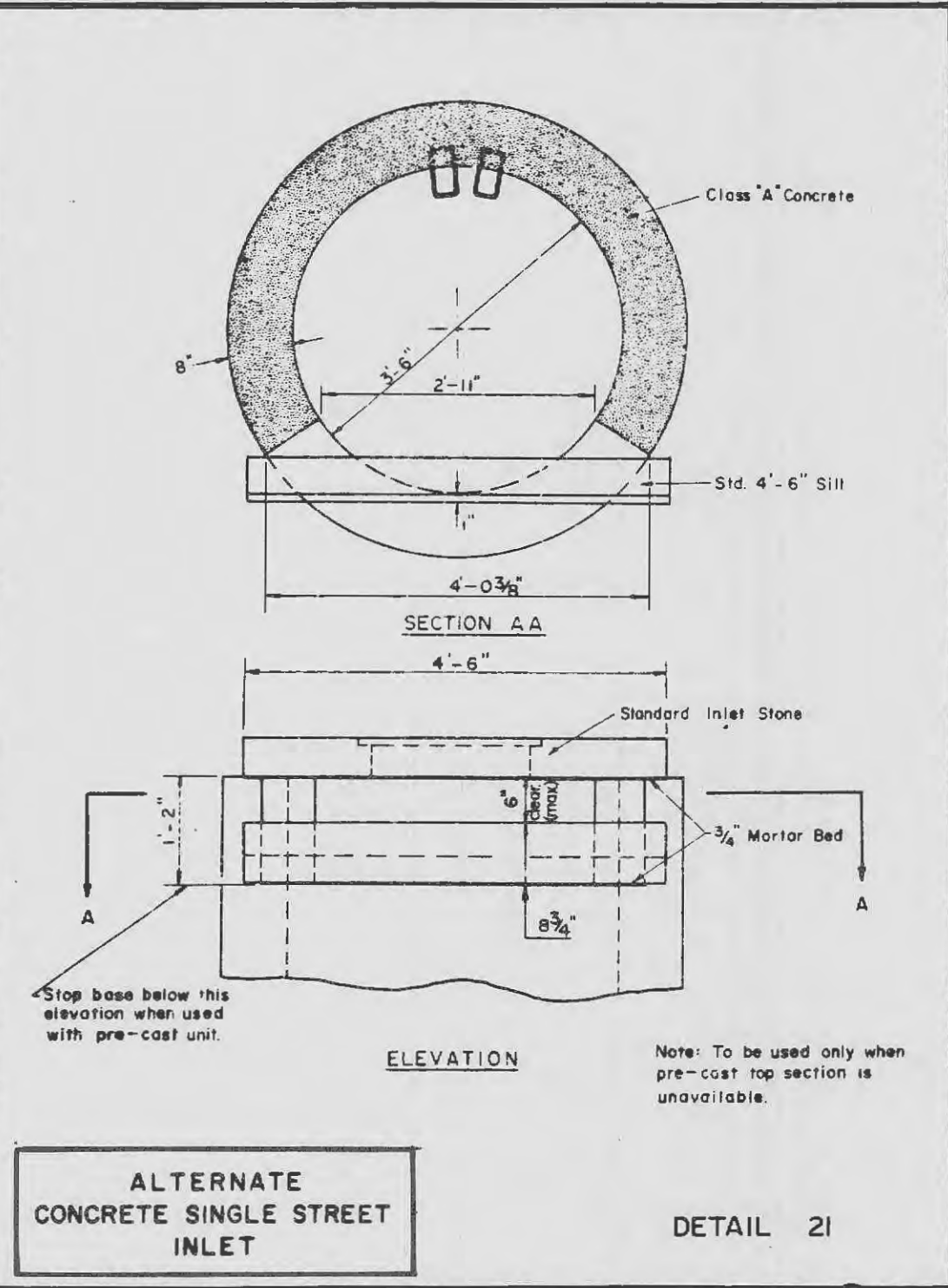


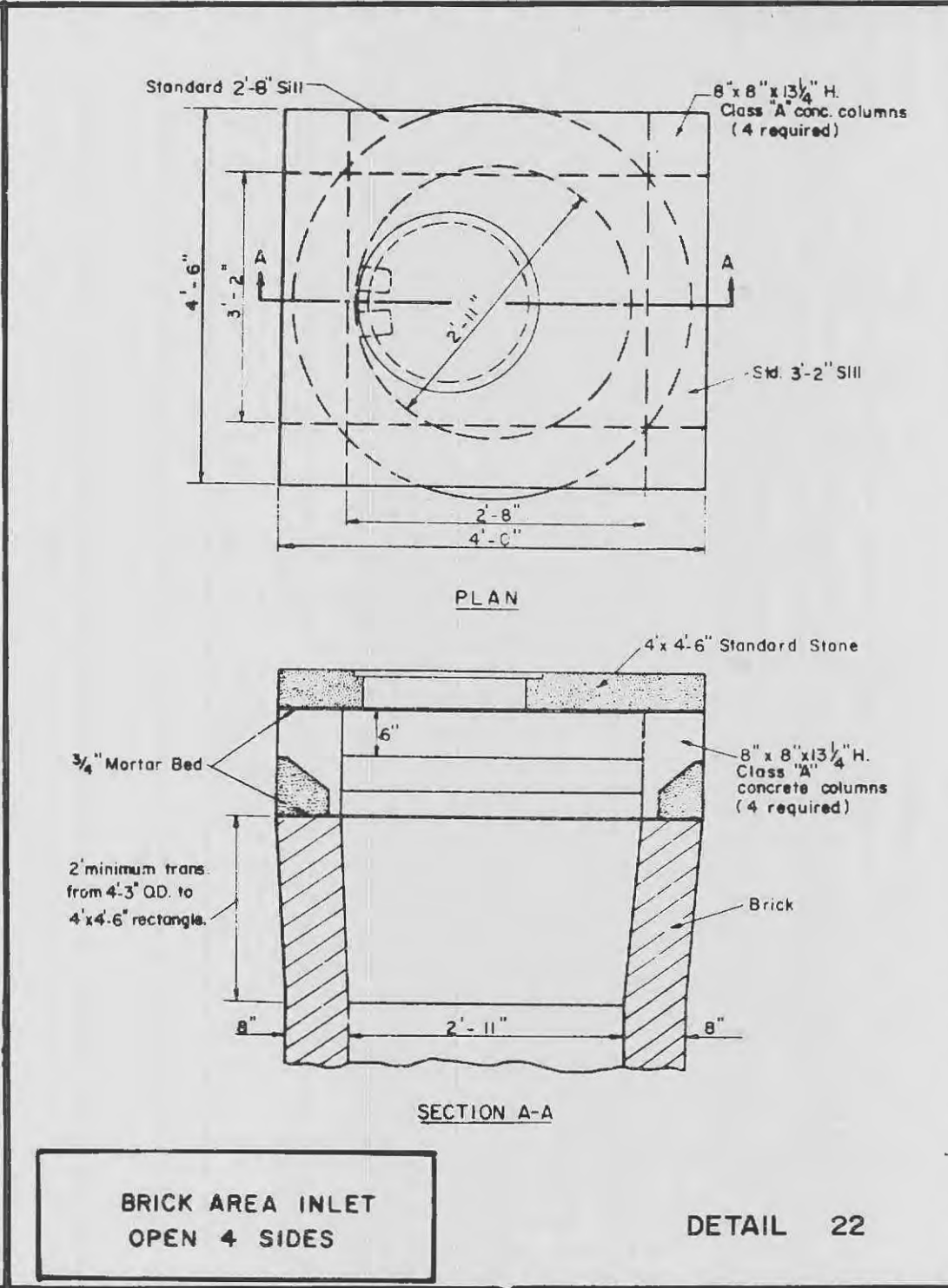
TRAPPED STREET INLET **DETAIL 19**



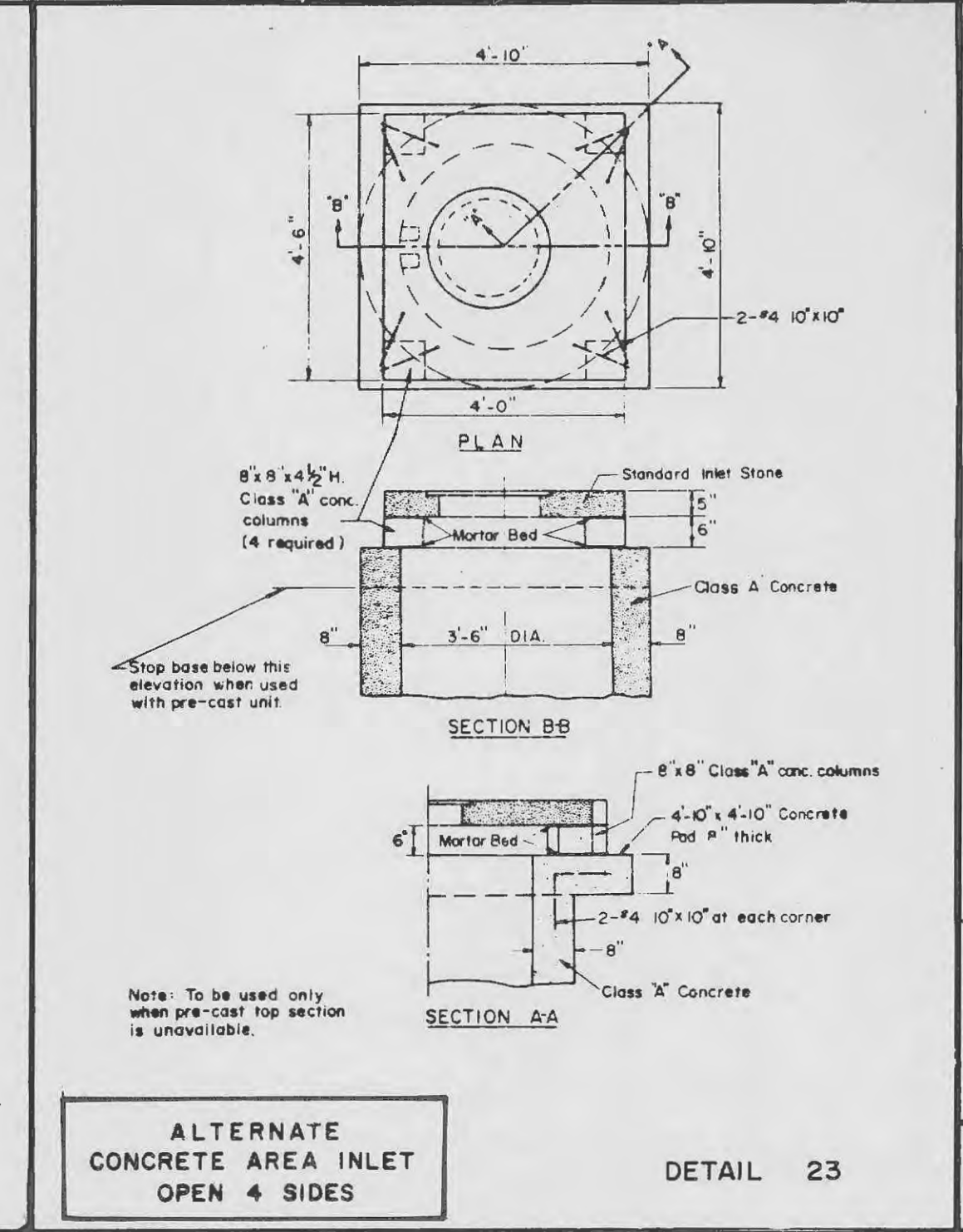
PRE-CAST CONCRETE UNIT FOR SINGLE CURB INLET **DETAIL 20**



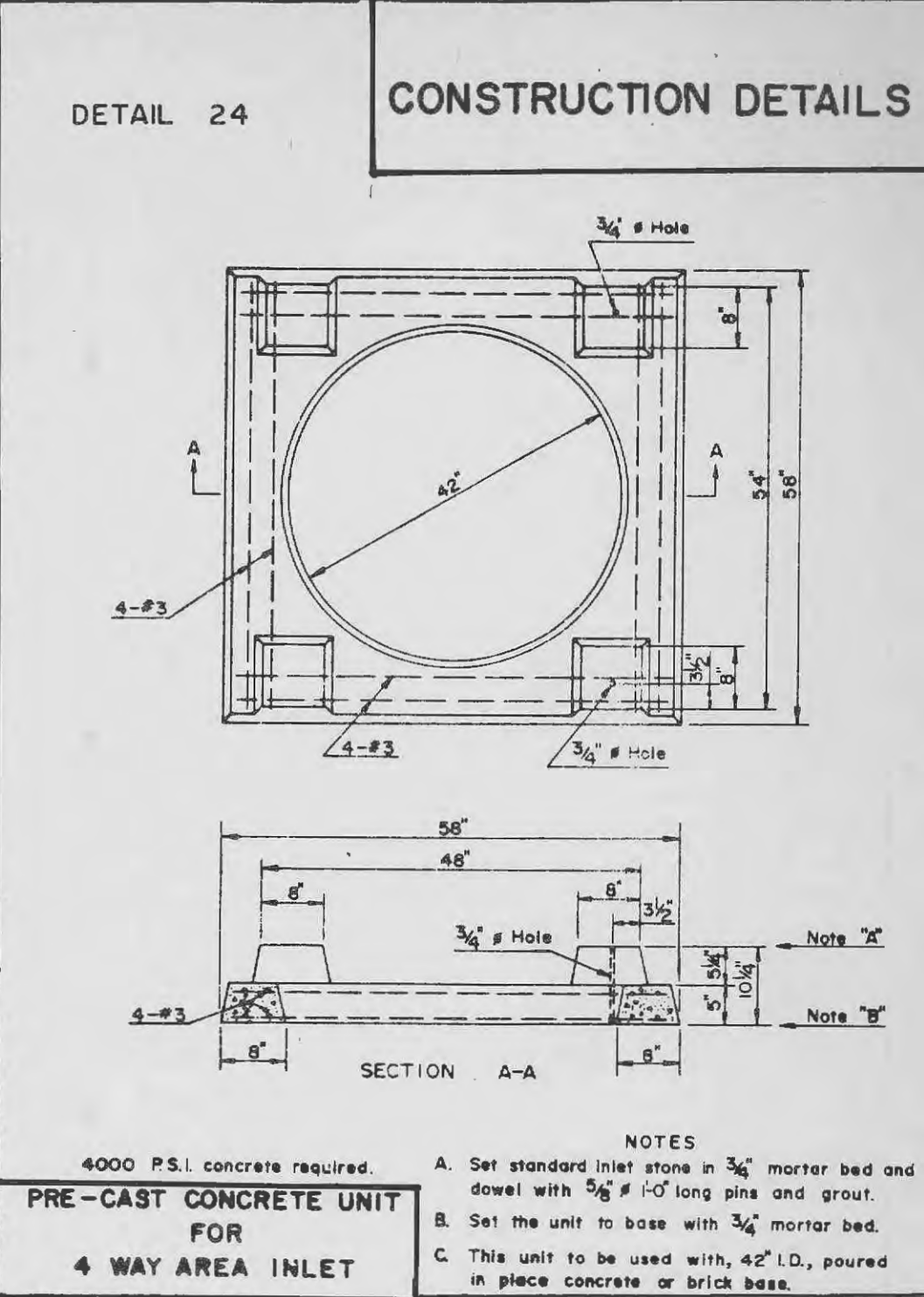
ALTERNATE CONCRETE SINGLE STREET INLET **DETAIL 21**



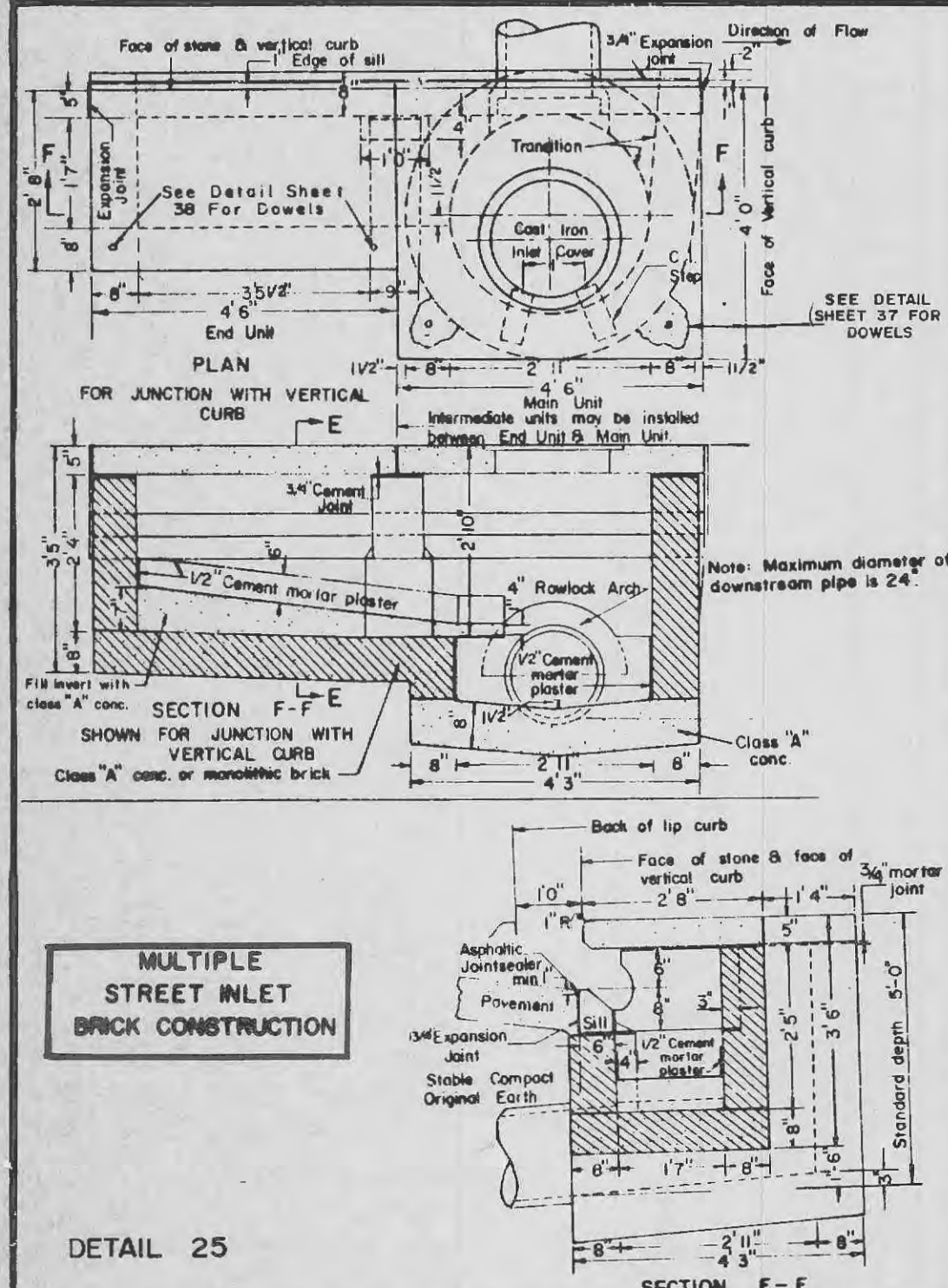
BRICK AREA INLET OPEN 4 SIDES **DETAIL 22**



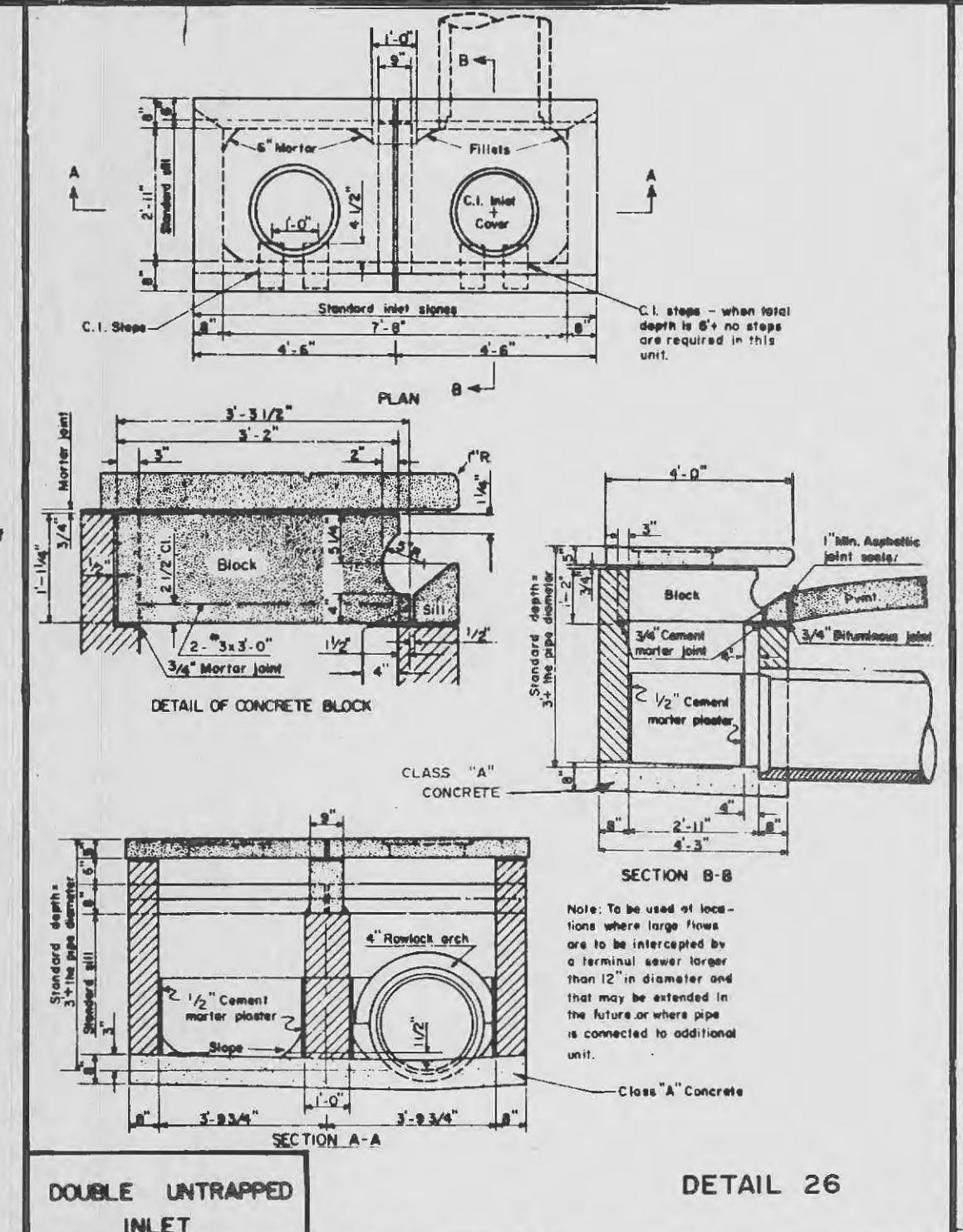
ALTERNATE CONCRETE AREA INLET OPEN 4 SIDES **DETAIL 23**



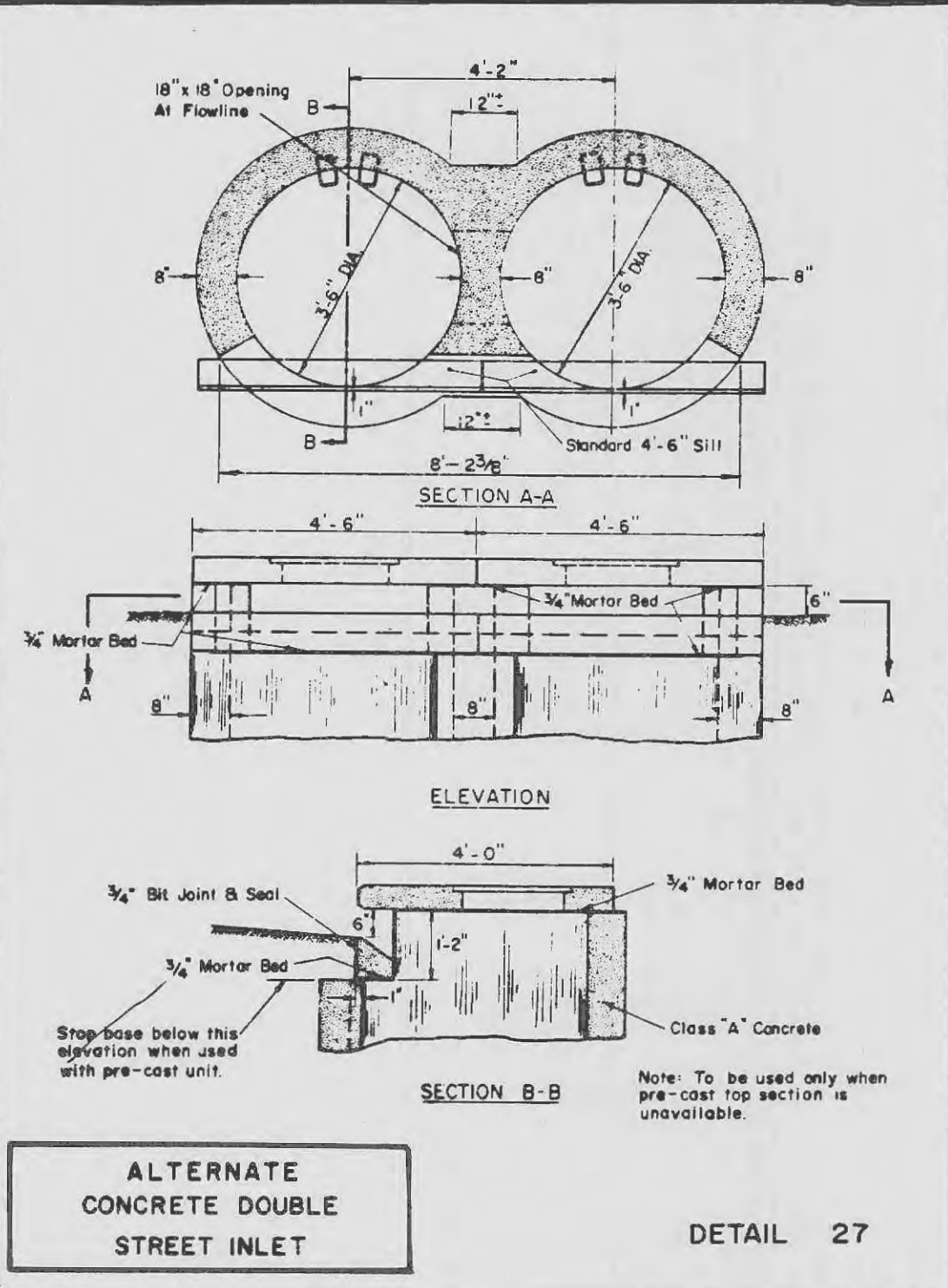
PRE-CAST CONCRETE UNIT FOR 4 WAY AREA INLET **DETAIL 24**



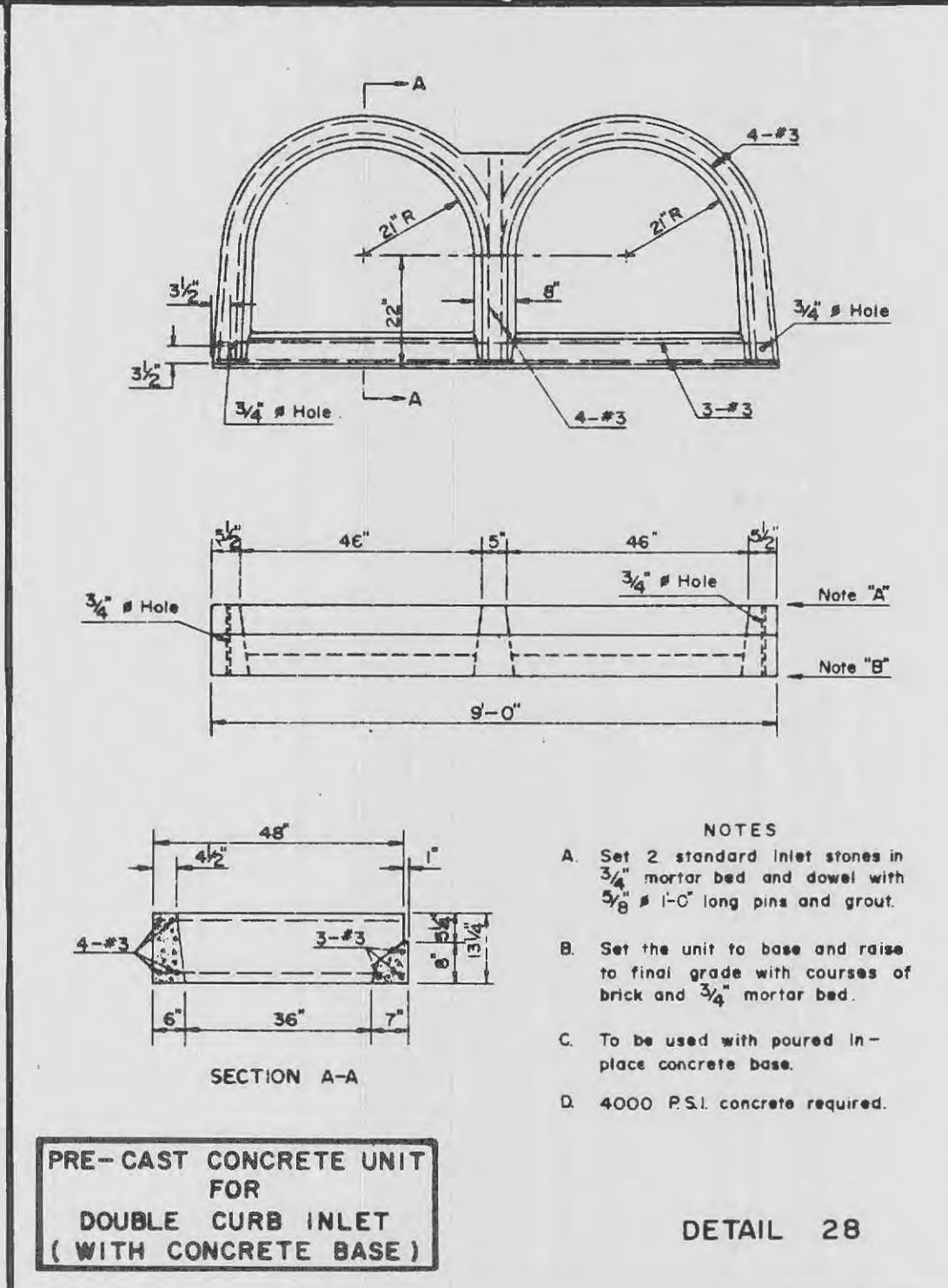
MULTIPLE STREET INLET BRICK CONSTRUCTION **DETAIL 25**



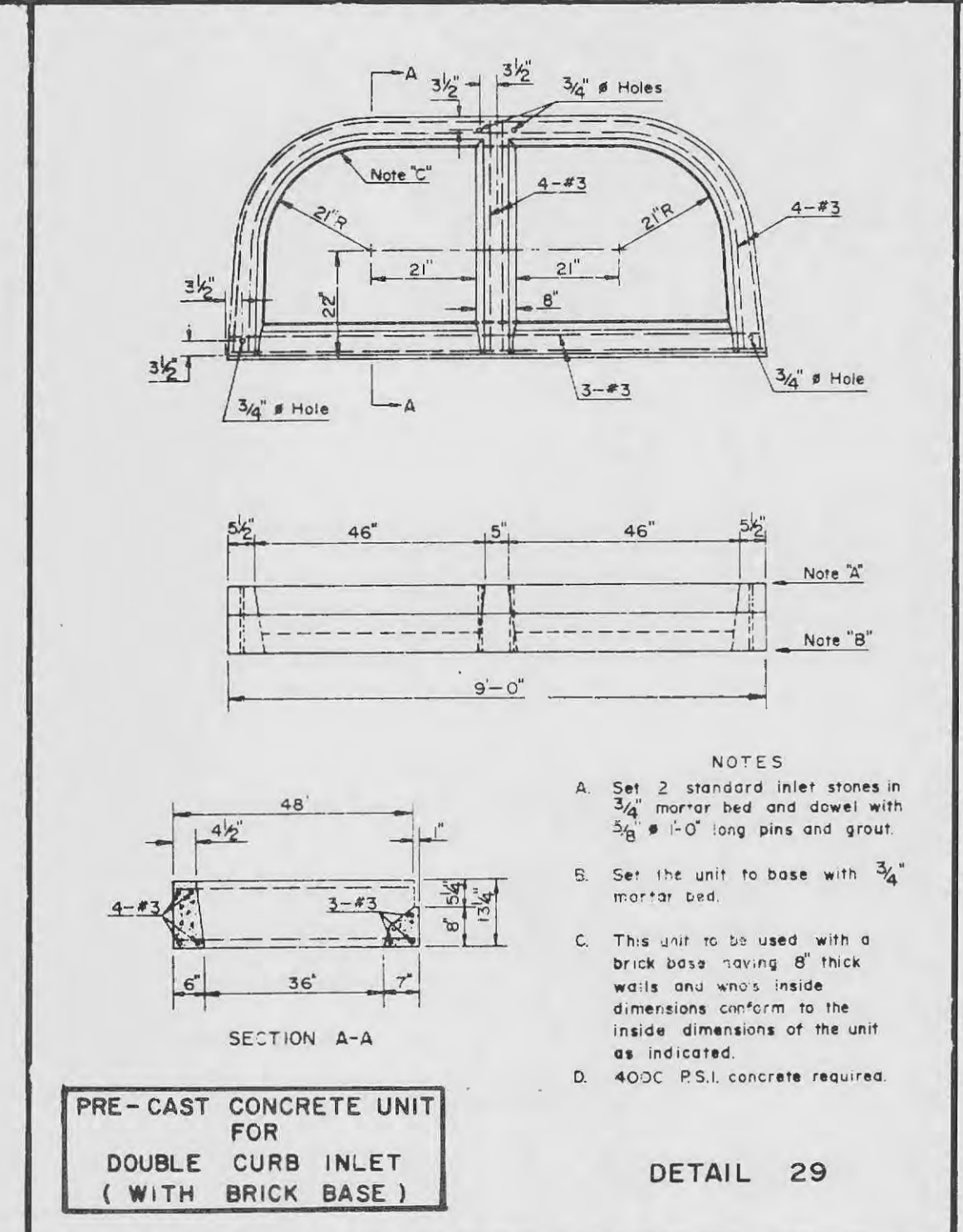
DOUBLE UNTRAPPED INLET **DETAIL 26**



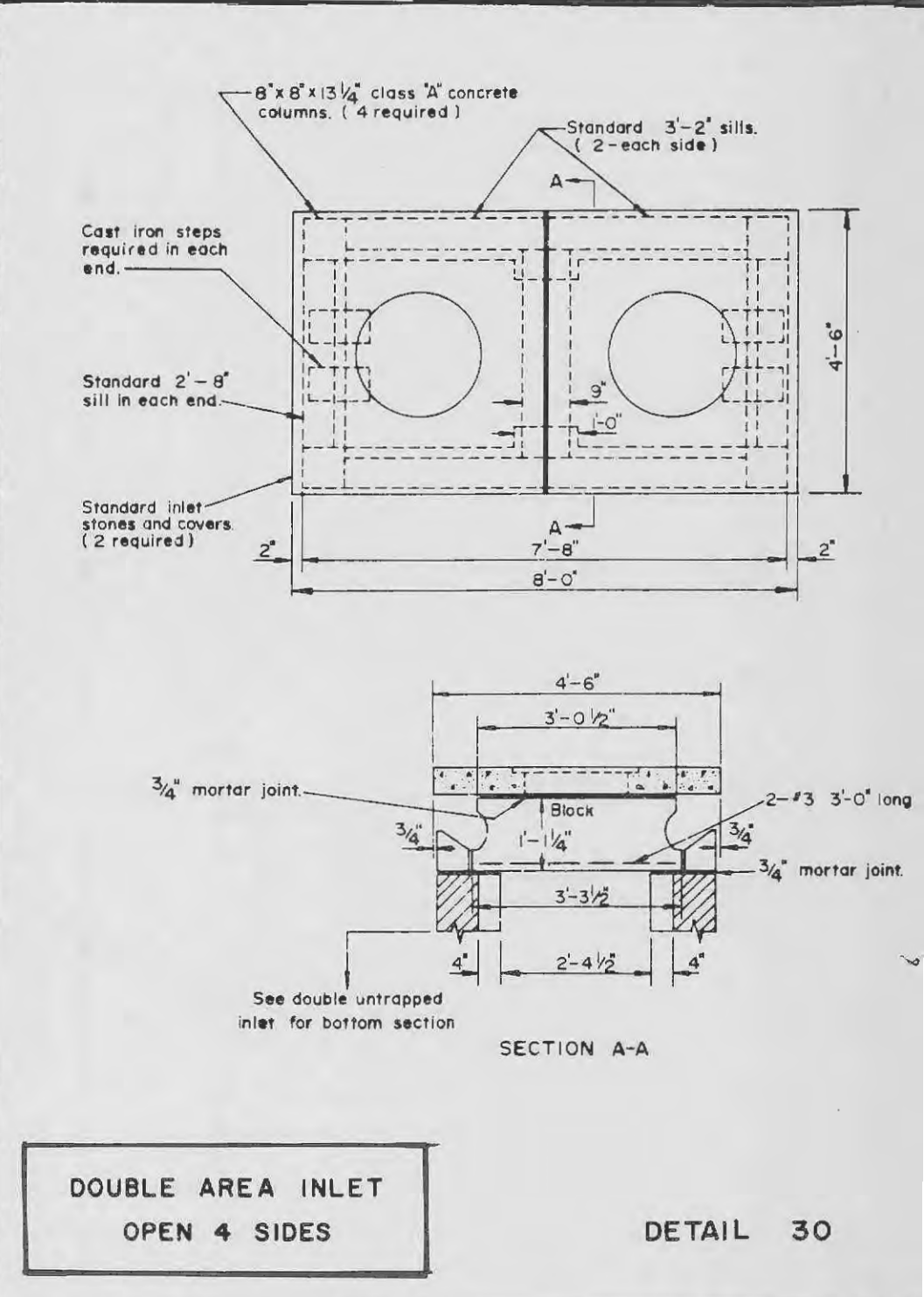
ALTERNATE CONCRETE DOUBLE STREET INLET **DETAIL 27**



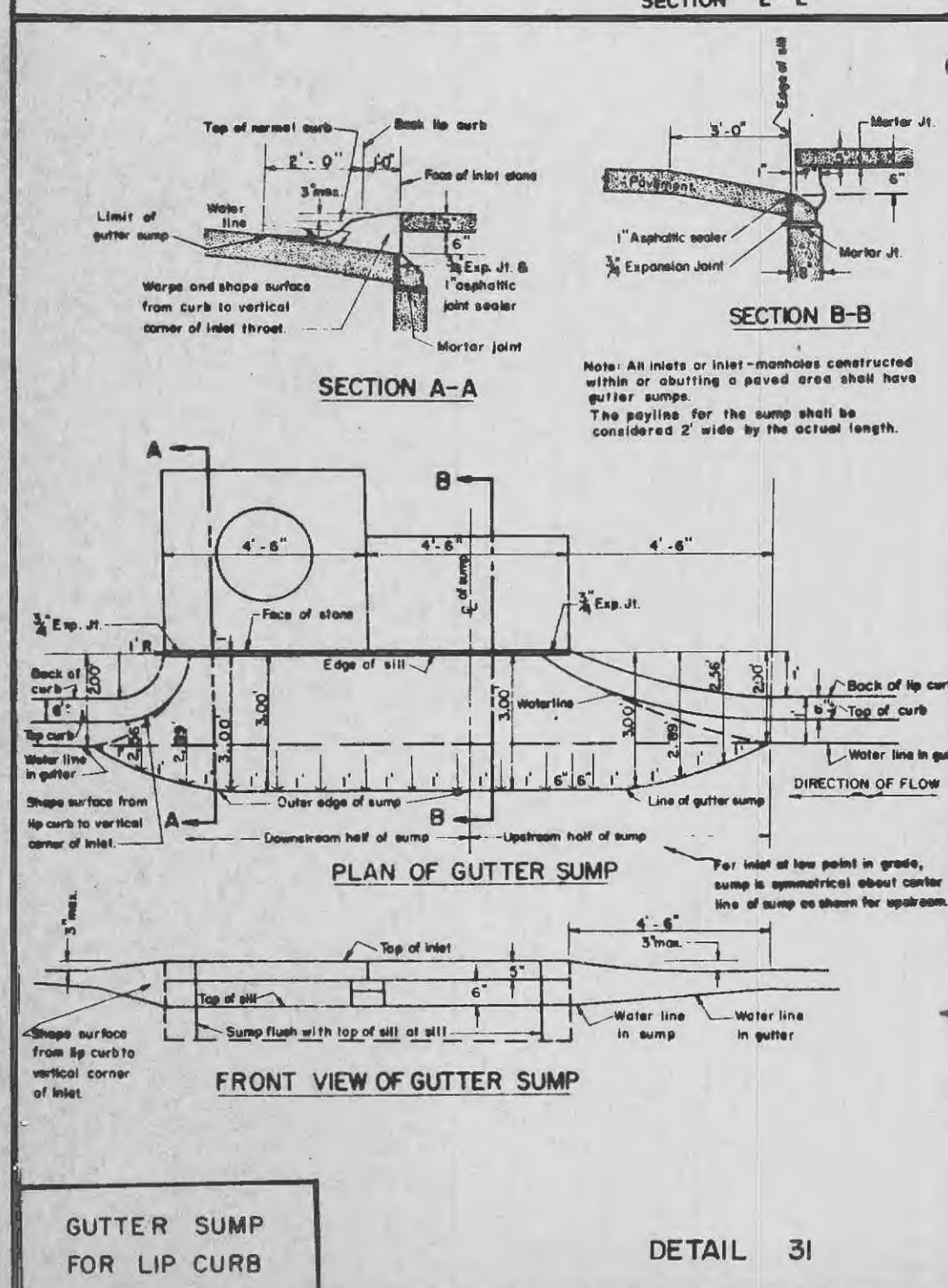
PRE-CAST CONCRETE UNIT FOR DOUBLE CURB INLET (WITH CONCRETE BASE) **DETAIL 28**



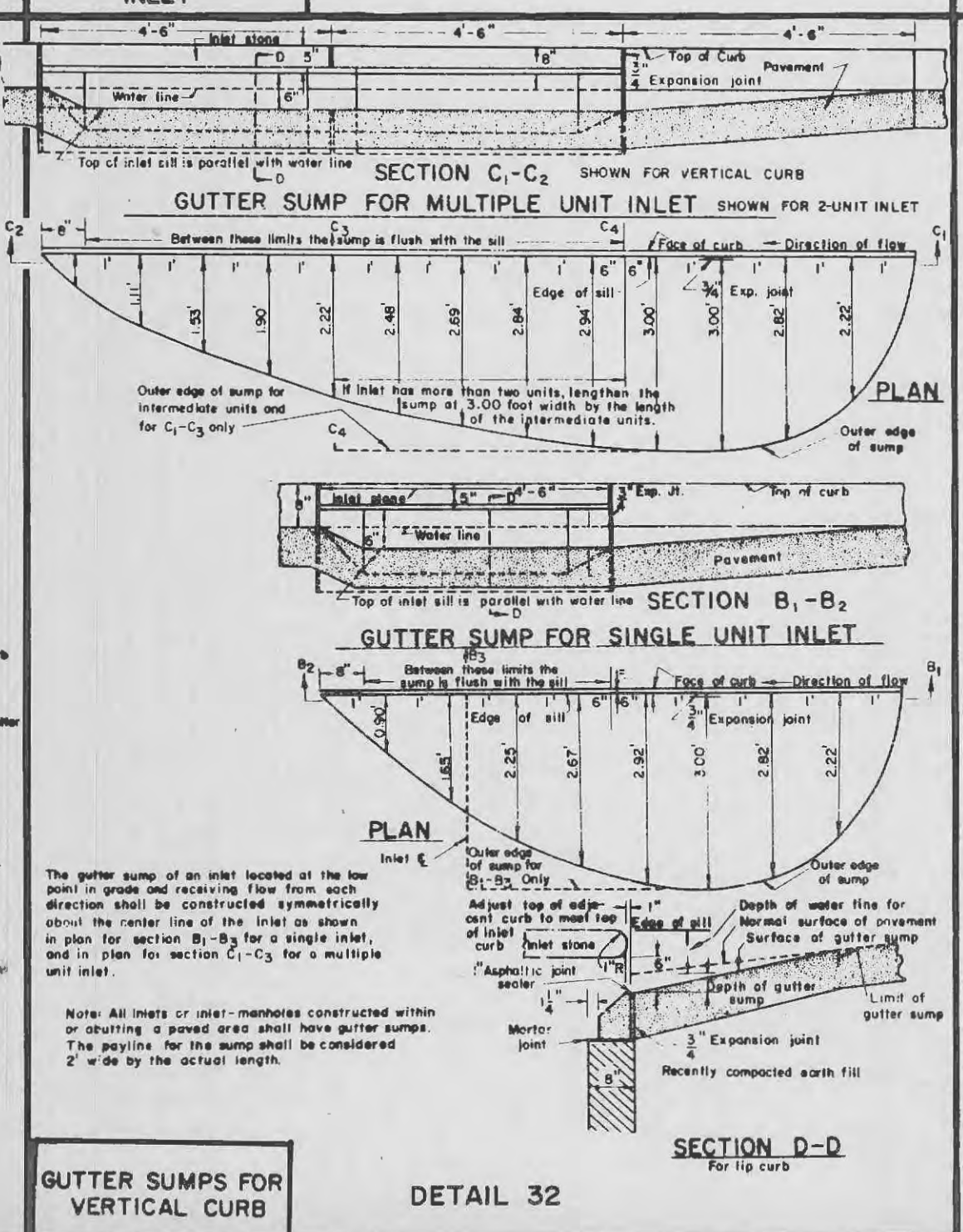
PRE-CAST CONCRETE UNIT FOR DOUBLE CURB INLET (WITH BRICK BASE) **DETAIL 29**



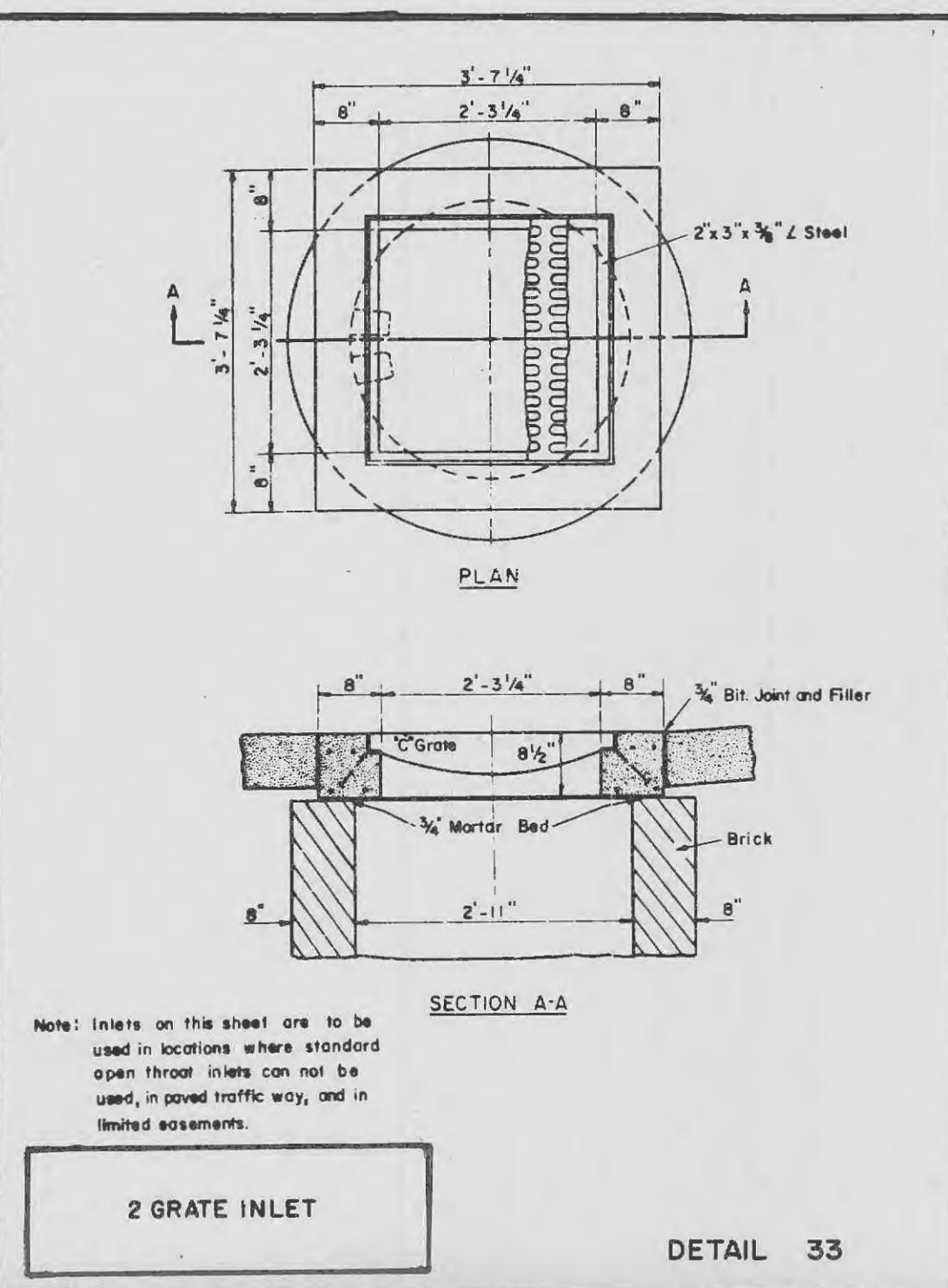
DOUBLE AREA INLET OPEN 4 SIDES **DETAIL 30**



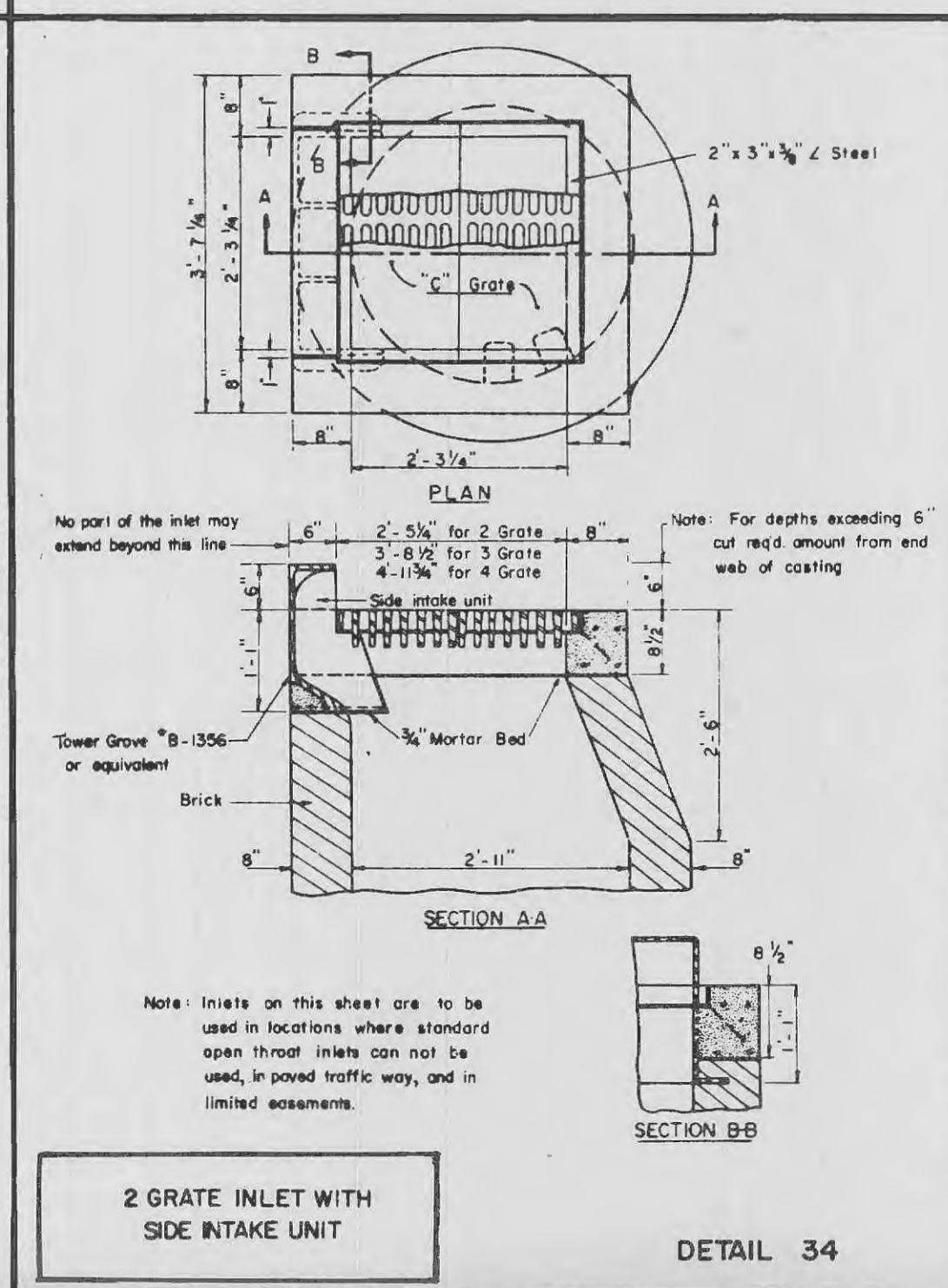
GUTTER SUMP FOR LIP CURB **DETAIL 31**



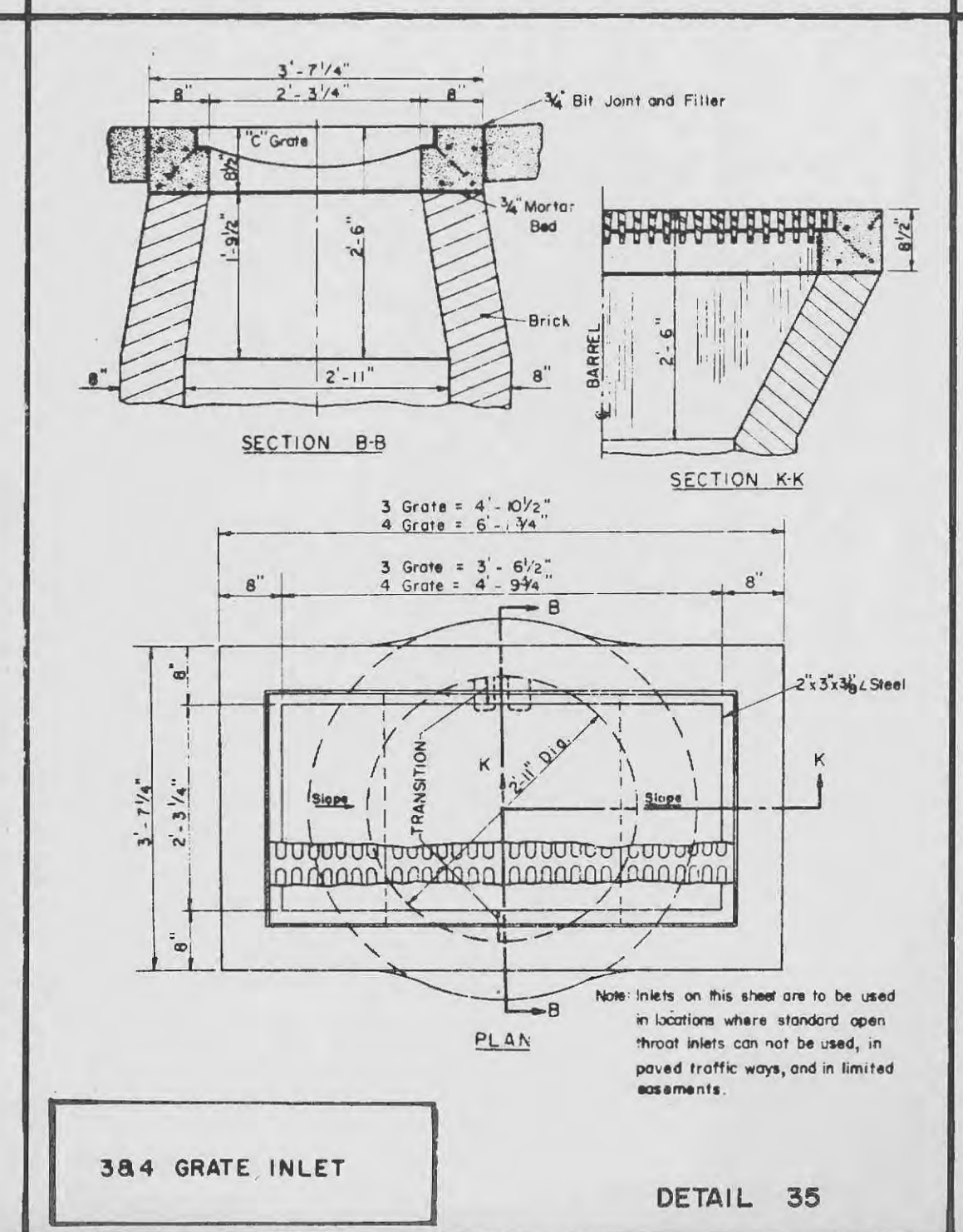
GUTTER SUMPS FOR VERTICAL CURB **DETAIL 32**



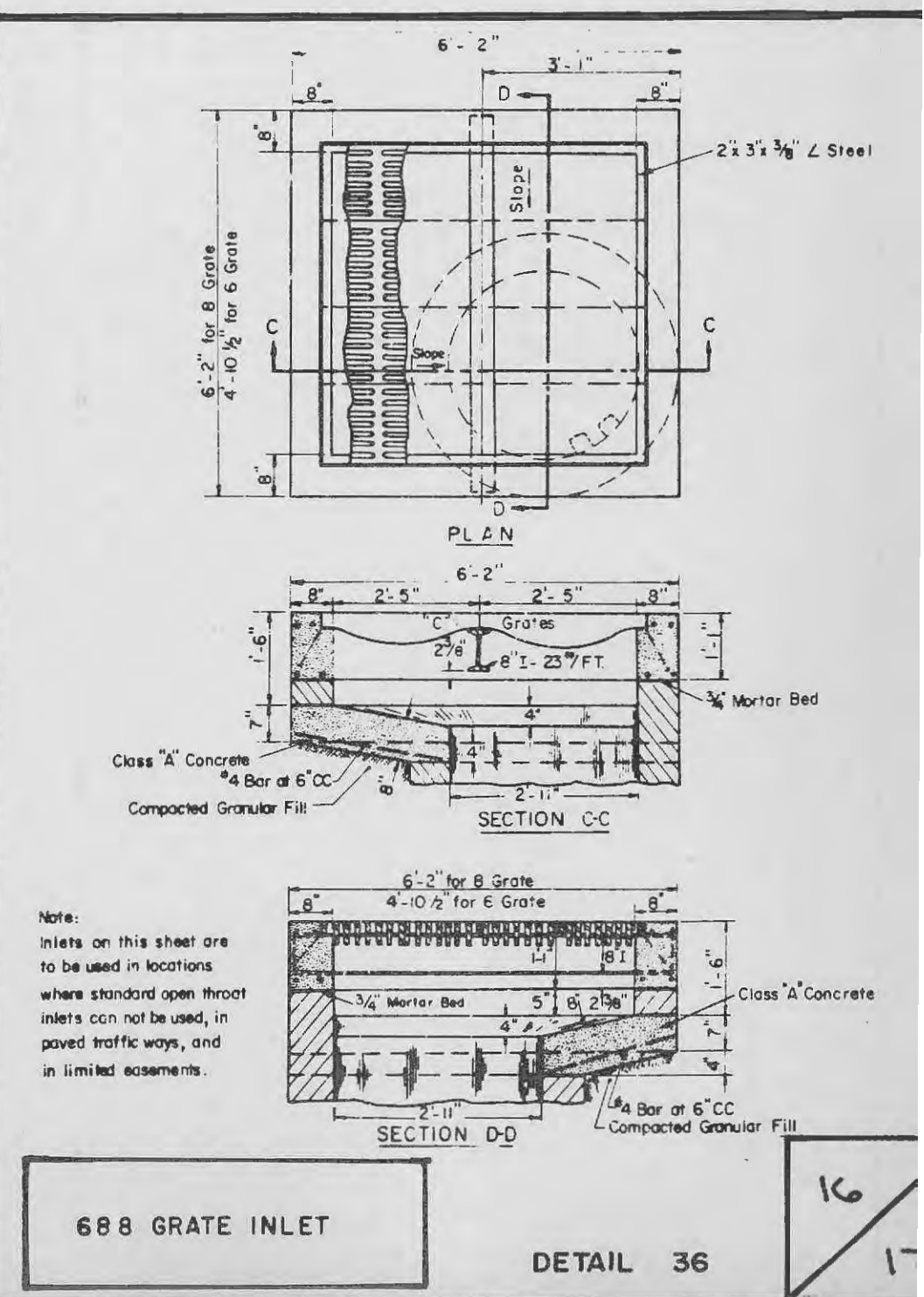
2 GRATE INLET **DETAIL 33**



2 GRATE INLET WITH SIDE INTAKE UNIT **DETAIL 34**



3 & 4 GRATE INLET **DETAIL 35**



6 & 8 GRATE INLET **DETAIL 36**