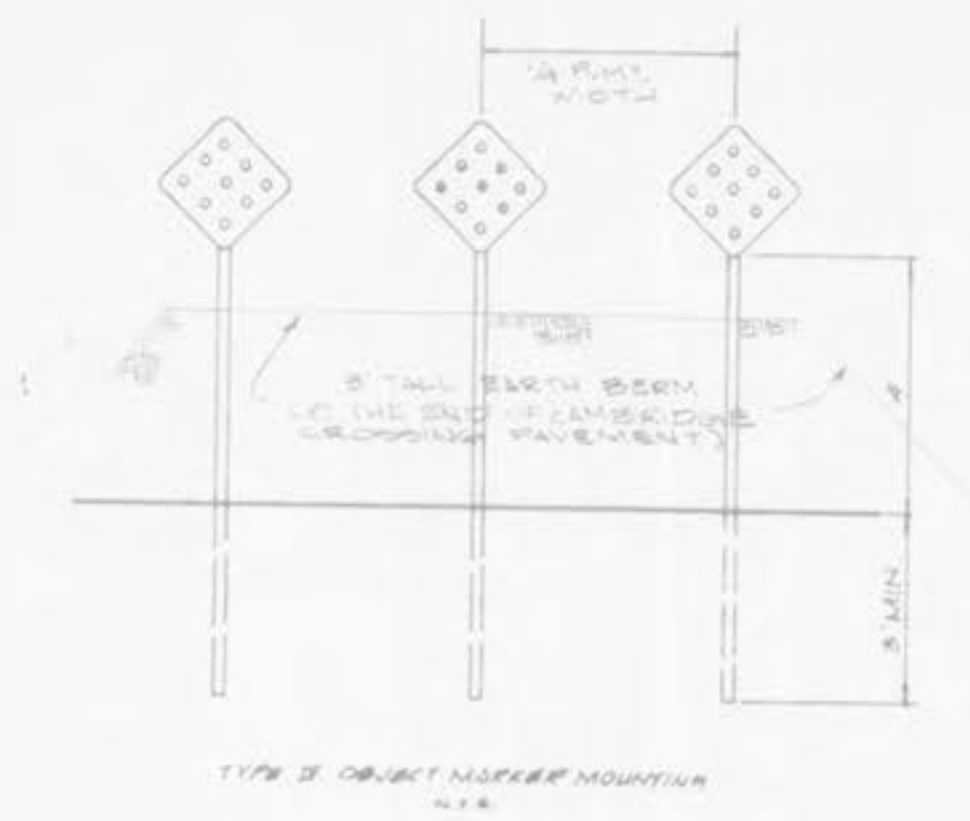
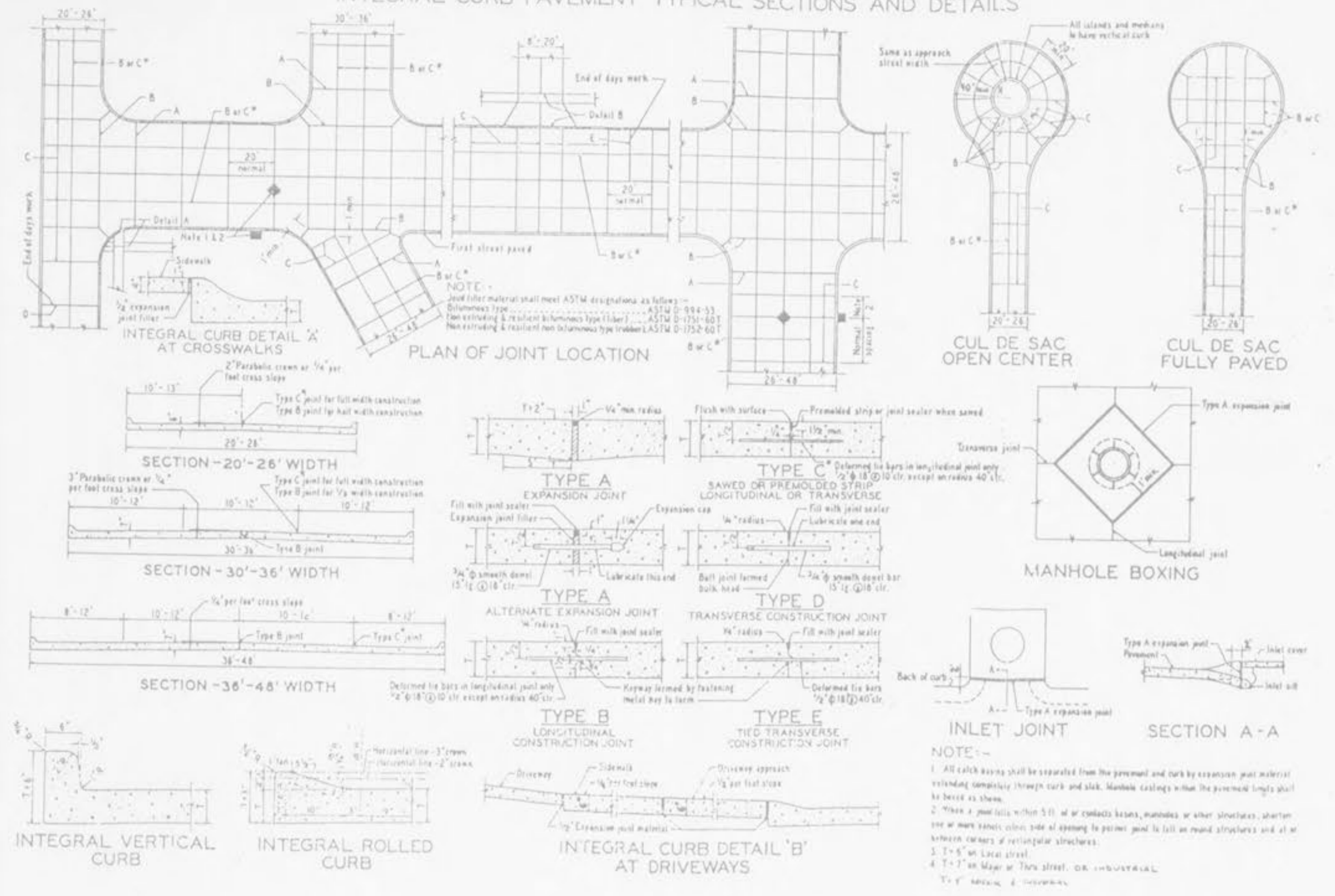
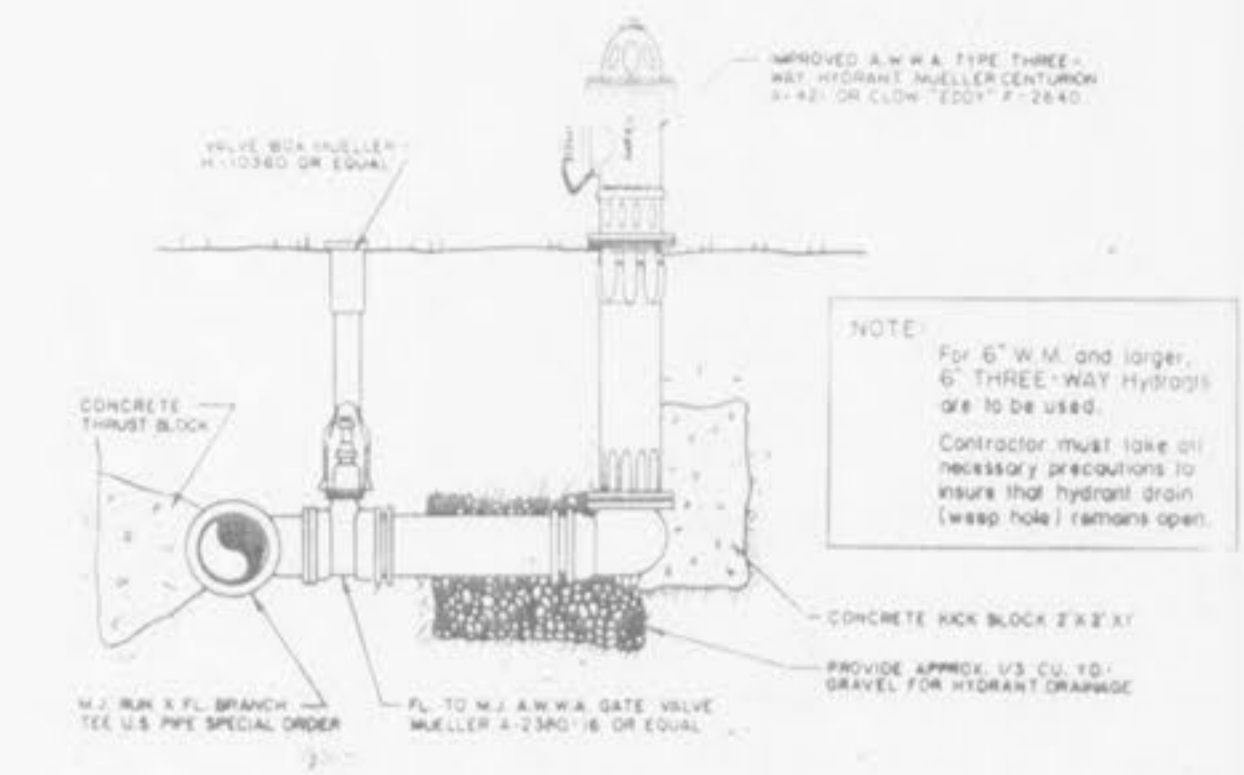


PORTLAND CEMENT CONCRETE
INTEGRAL CURB PAVEMENT TYPICAL SECTIONS AND DETAILS



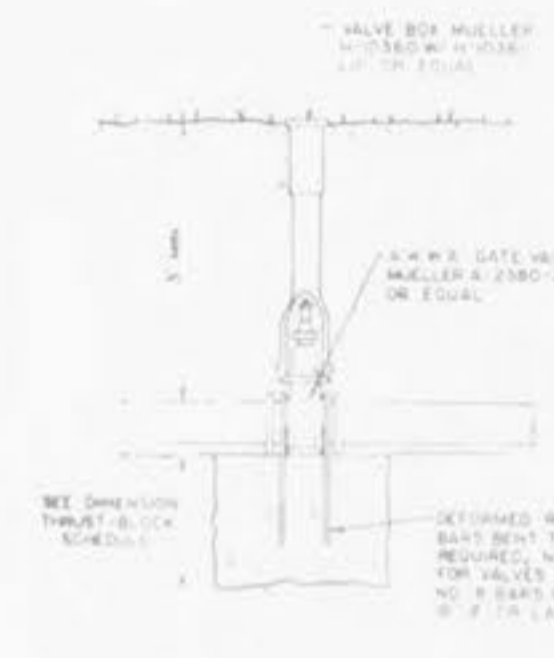
BARRICADE DETAIL



NOTE:

For 6" M. & M. and larger, 6" THREE-WAY HYDRANT OR TO BE USED.

Contractor must take all necessary precautions to ensure that hydrant drain (wired hole) remains open.

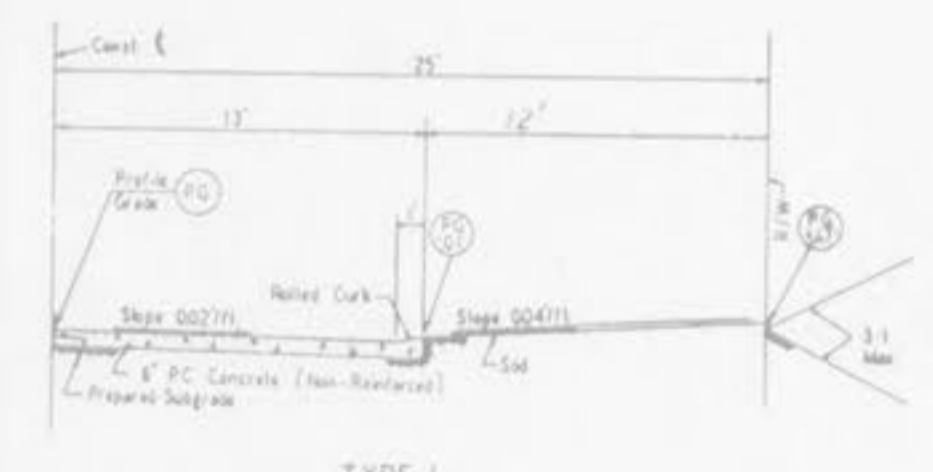


THRUST-BLOCK SCHEDULE

Minimum thrust-block bearing dimensions to bear against undisturbed earth.

WATER MAIN SIZE	BEND 45°	BEND 22 1/2°	TEE	VALVE	CROSS
2"	0.5' x 1'	0.5' x 1'	0.5' x 1'	0.5' x 1'	0.5' x 1'
4"	1' x 1'	1' x 1'	2' x 1'	2' x 1'	1' x 1'
6"	1.5' x 1'	1' x 1'	2' x 1'	2' x 1'	1' x 1'
8"	2' x 1'	1' x 1'	2' x 2.5'	2' x 2'	1' x 1'
10"	2' x 2.5'	1.5' x 2'	2' x 3.5'	2' x 3'	2' x 2'
12"	2' x 3.5'	1.5' x 2.5'	3' x 3.5'	3' x 3'	2' x 3'
16"	3' x 4'	2' x 3'	4' x 4.5'	3' x 4.5'	3' x 3'
18"	3' x 4.5'	2' x 3.5'	5' x 4.5'	4' x 5'	4' x 4'

BUCKET CREEK SEWER DISTRICT TYPICAL CREEK CROSSING



- GENERAL NOTES:**
- Do not scale drawings. Follow dimensions.
 - Sections are approximate. Actual construction may vary.
 - For longitudinal and transverse profiles, refer to the Pavement Construction Data, the James and Curtis Standard Drawing S-2023.
 - All necessary pavement markings by 30th Charter County.
 - Surface shown may not apply to other projects.
 - For details on pipe structure, refer to the Lower San Joaquin Drainage District Standard Drawing S-2023.
 - Subcontractor to provide 5' high Private Drains and 7' high Commercial Drains. See Entrance Construction Details.
 - Structure when required shall be constructed of 4" concrete. See Entrance Construction Details. Contractor and Designer to 30th Charter County.

Grouted Rip-Rap is required at all creek crossings where the embankments crossed are steeper than 1 vertical to 2 horizontal ratio slope; and also where there is 3.0 feet or less cover over top of pipe.

Place Rip-Rap on lower 3/4 of slope. Grade upper 1/4 of slope 1 vertical to 2 horizontal slope for sod or 1 vertical to 2.5 horizontal slope for sod and straw.

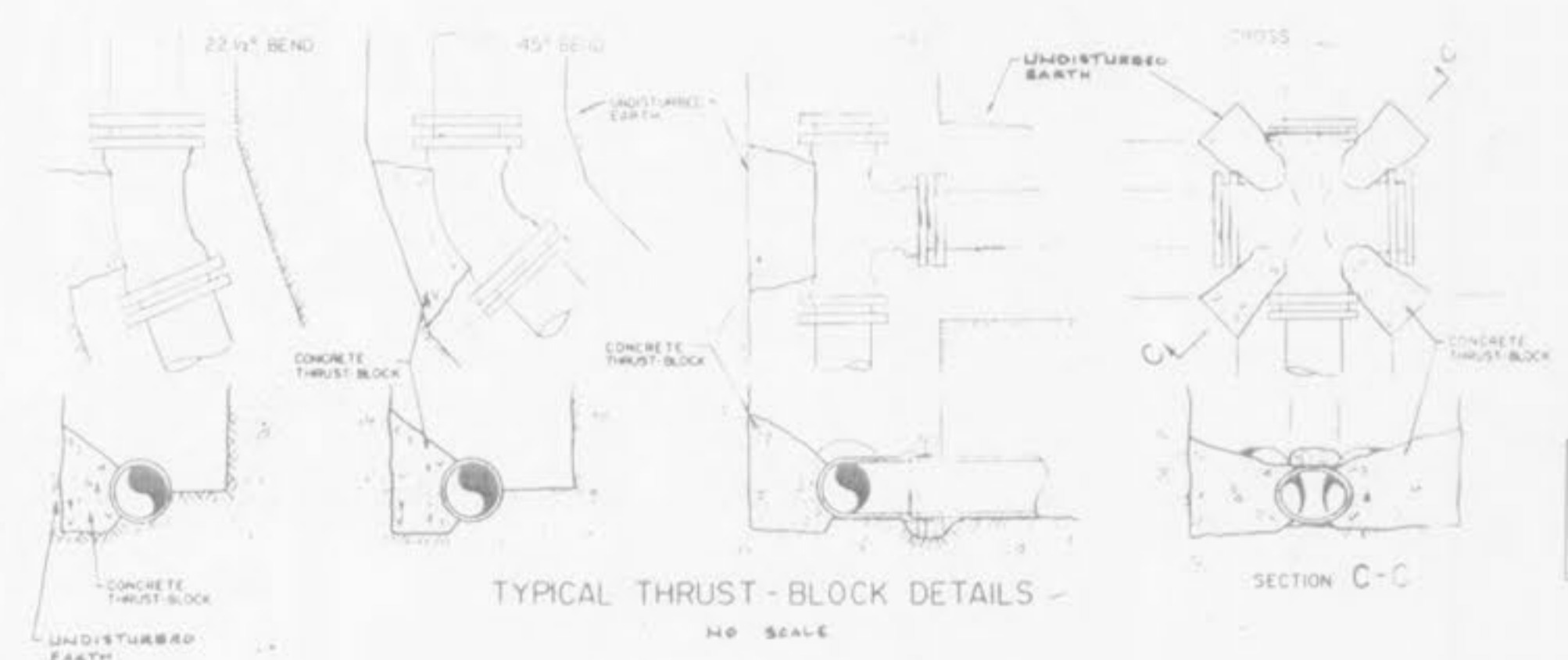
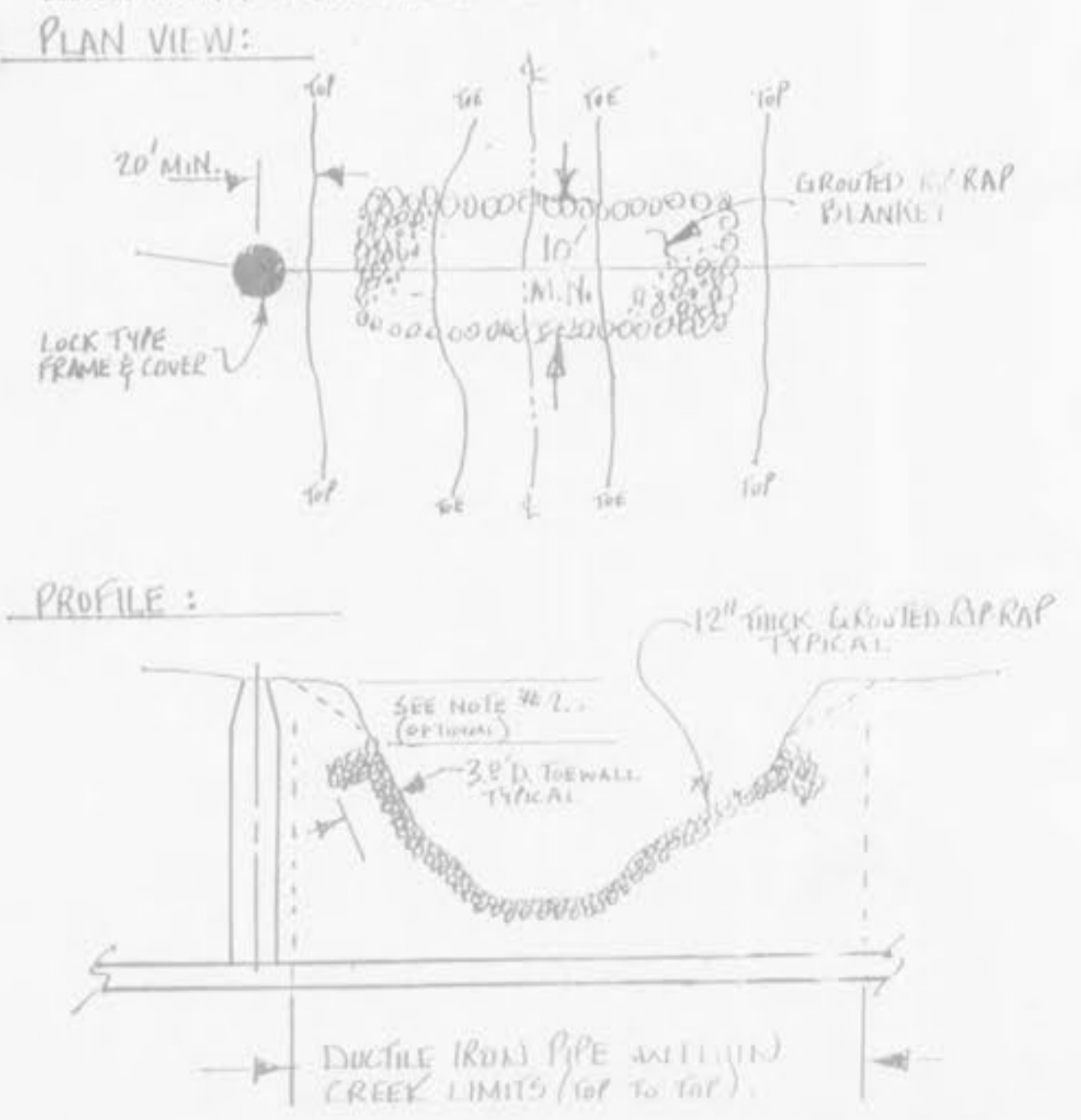
Rip-Rap to be "MSD-5" Gradation, minimum 12" thick, grouted with 8 sack mix, sand cement slurry, broom finish.

Incorporate a 3 foot deep toe wall on embankment's upper edge of Rip-Rap.

Top surface of Rip-Rap should not be higher than adjacent ground surface.

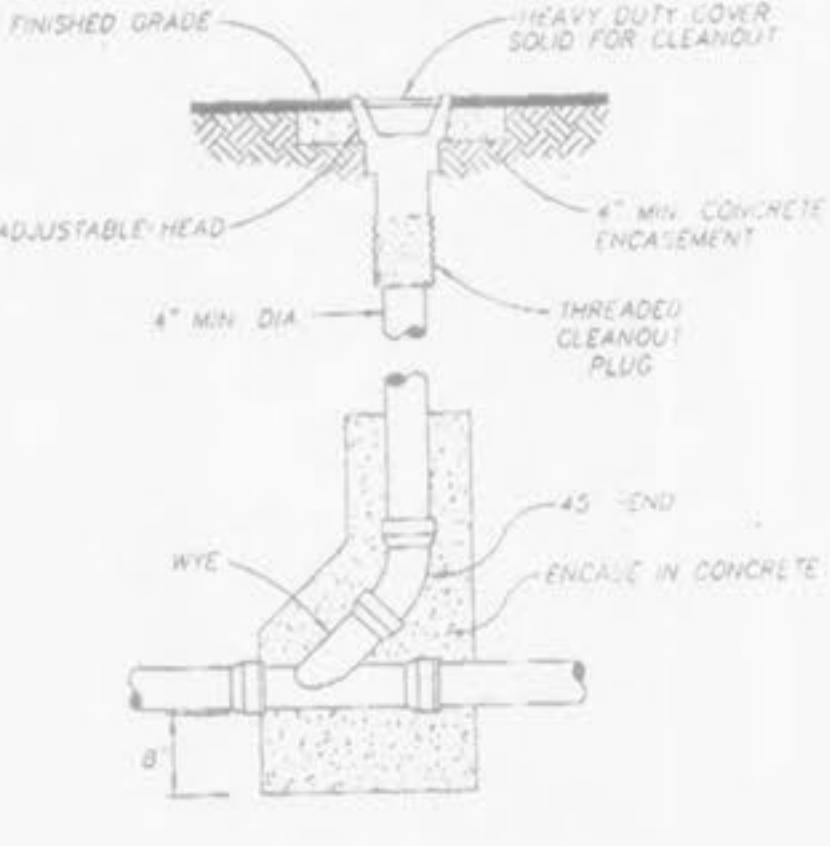
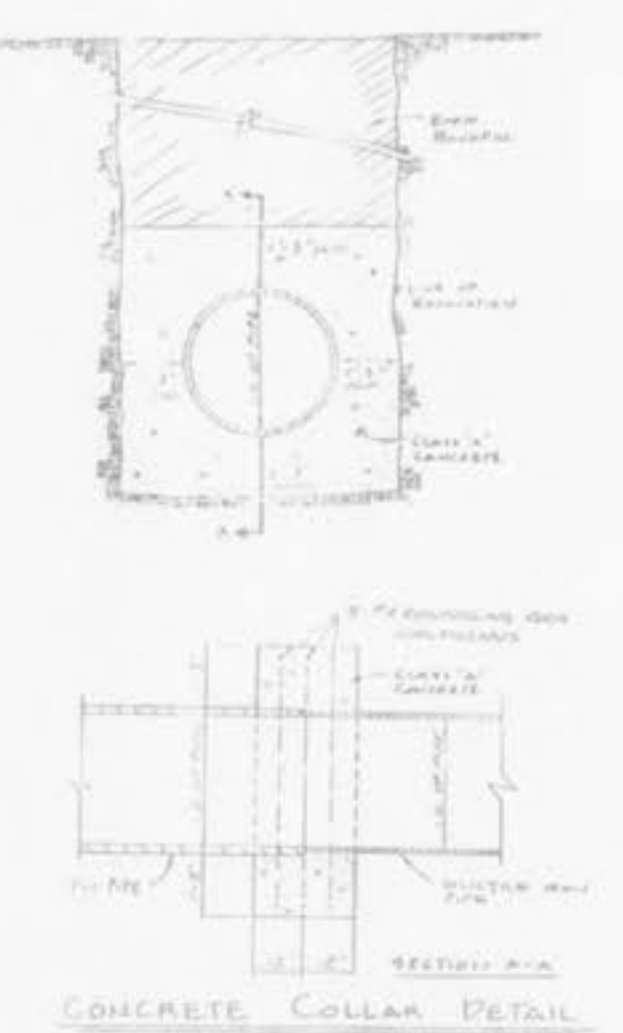
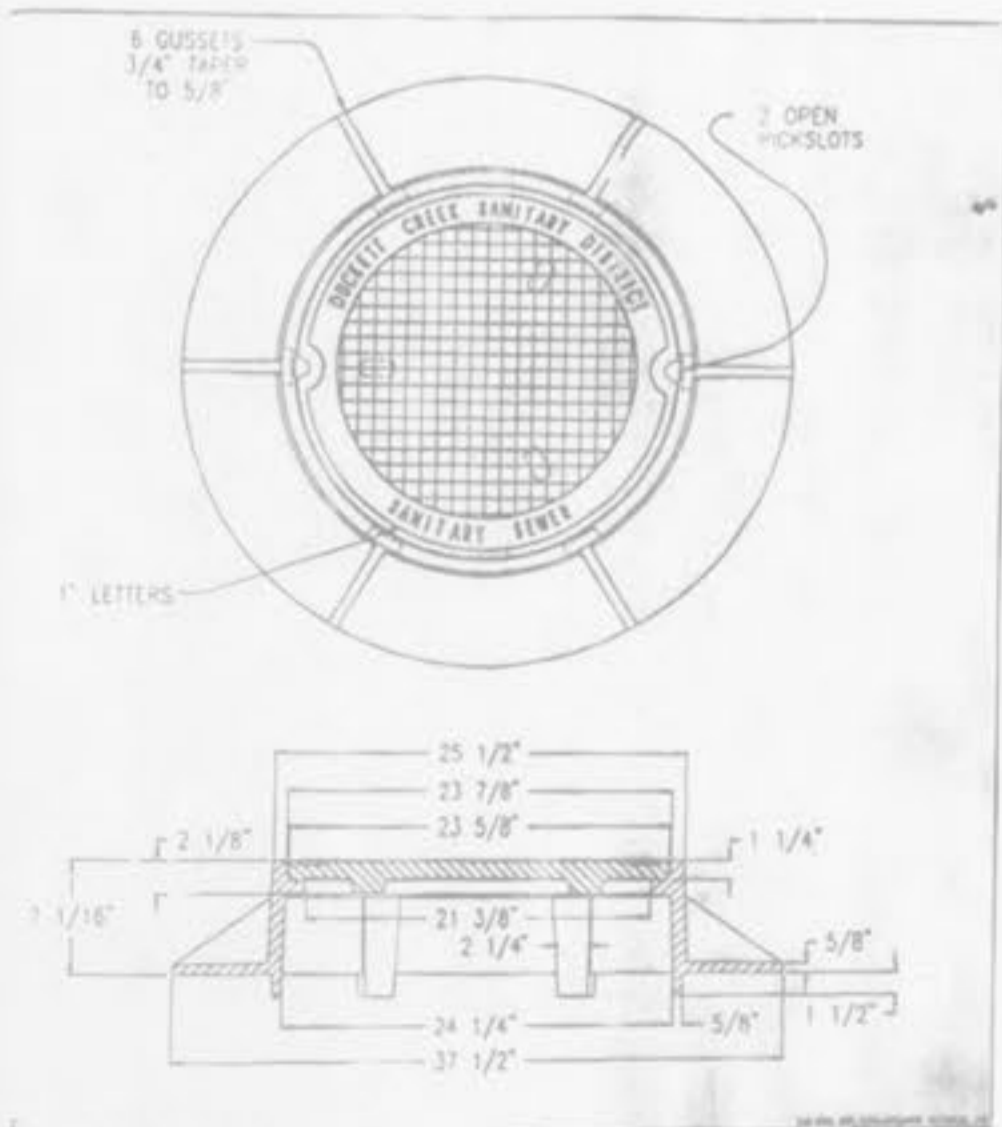
If pipe has less than 12" cover, a paved channel may be required.

Ductile iron pipe required within creek limits.

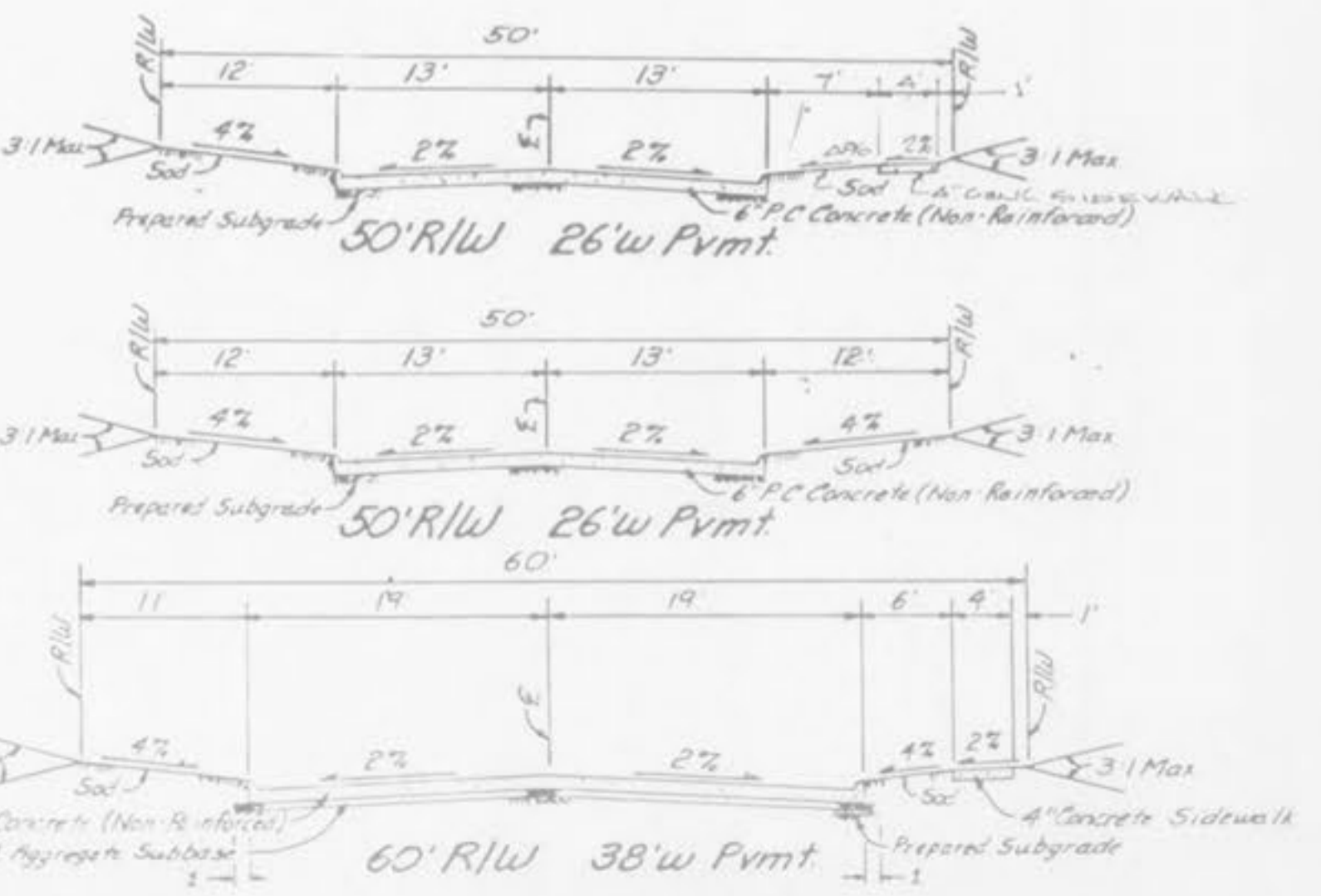


NOTE:

All dimensions, pipe, bends, flanges, etc. must be provided with concrete w/ 10 # polyethylene fiber.



CLEANOUT DETAIL N.T.S.



Deeter Foundry, Inc.

1275 SHILOH MANHOLE BRG & COKE

CLASS 150

18" DIA. 18" DIA. 18" DIA.

WEIGHT: 395 LBS.