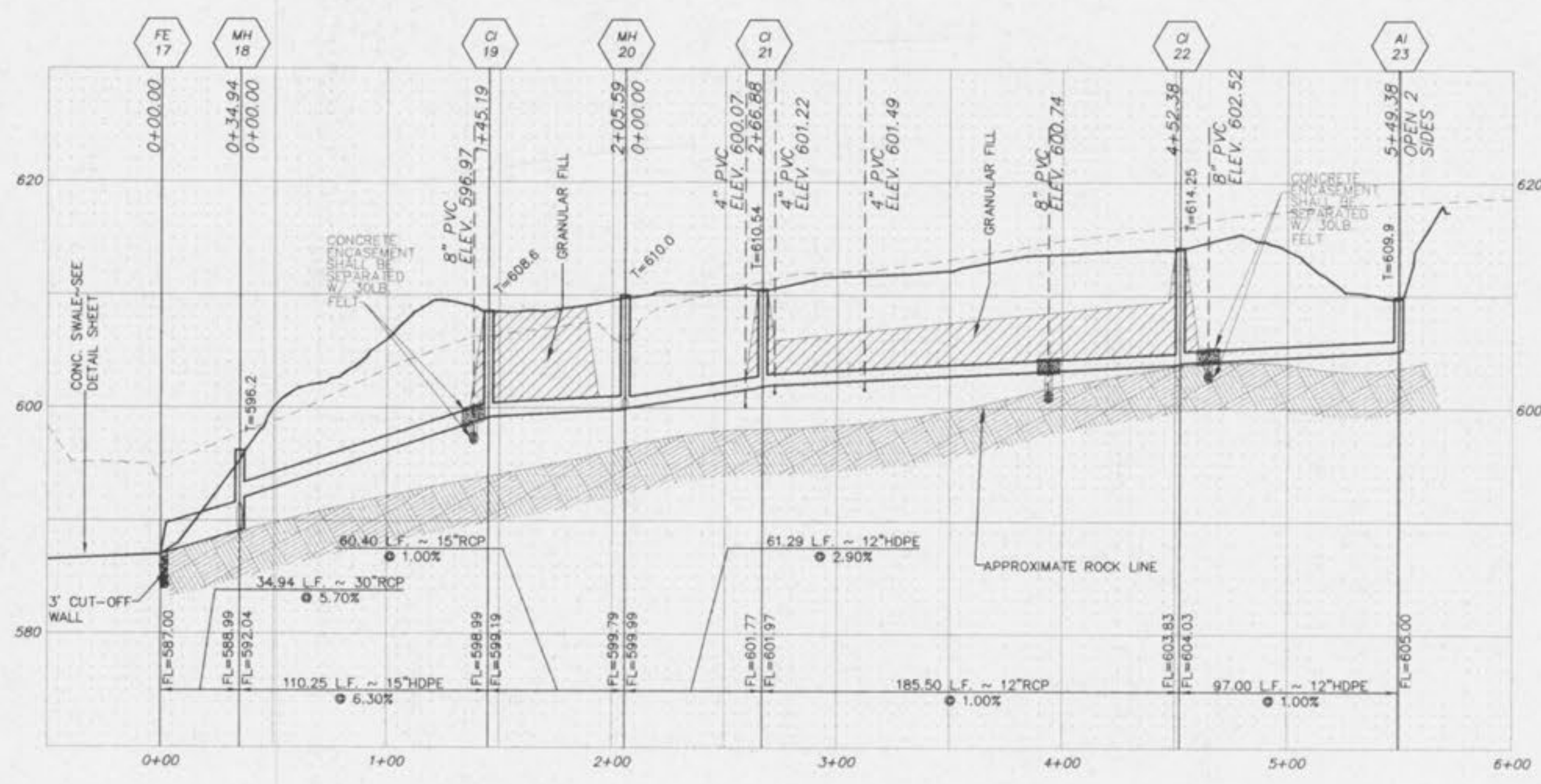
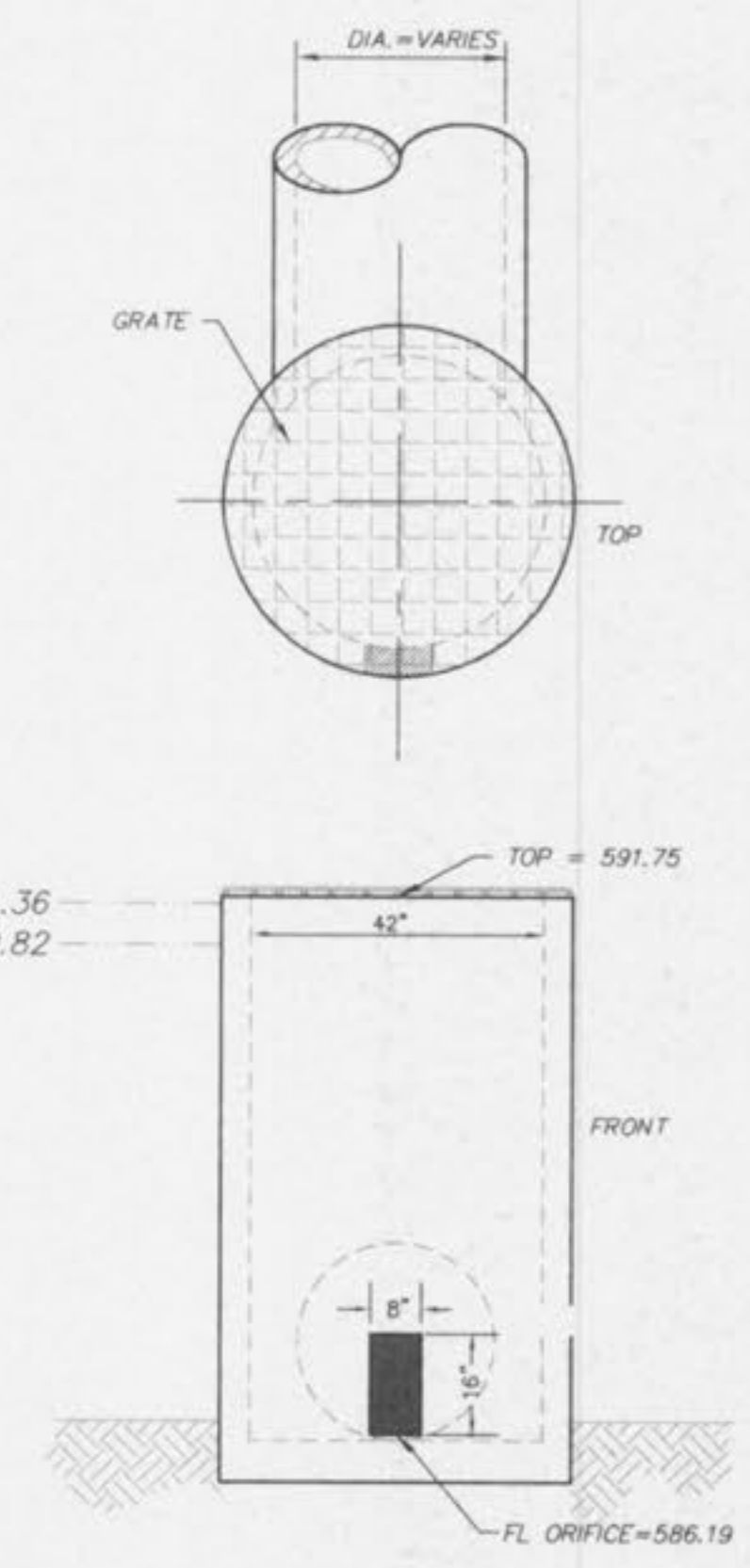
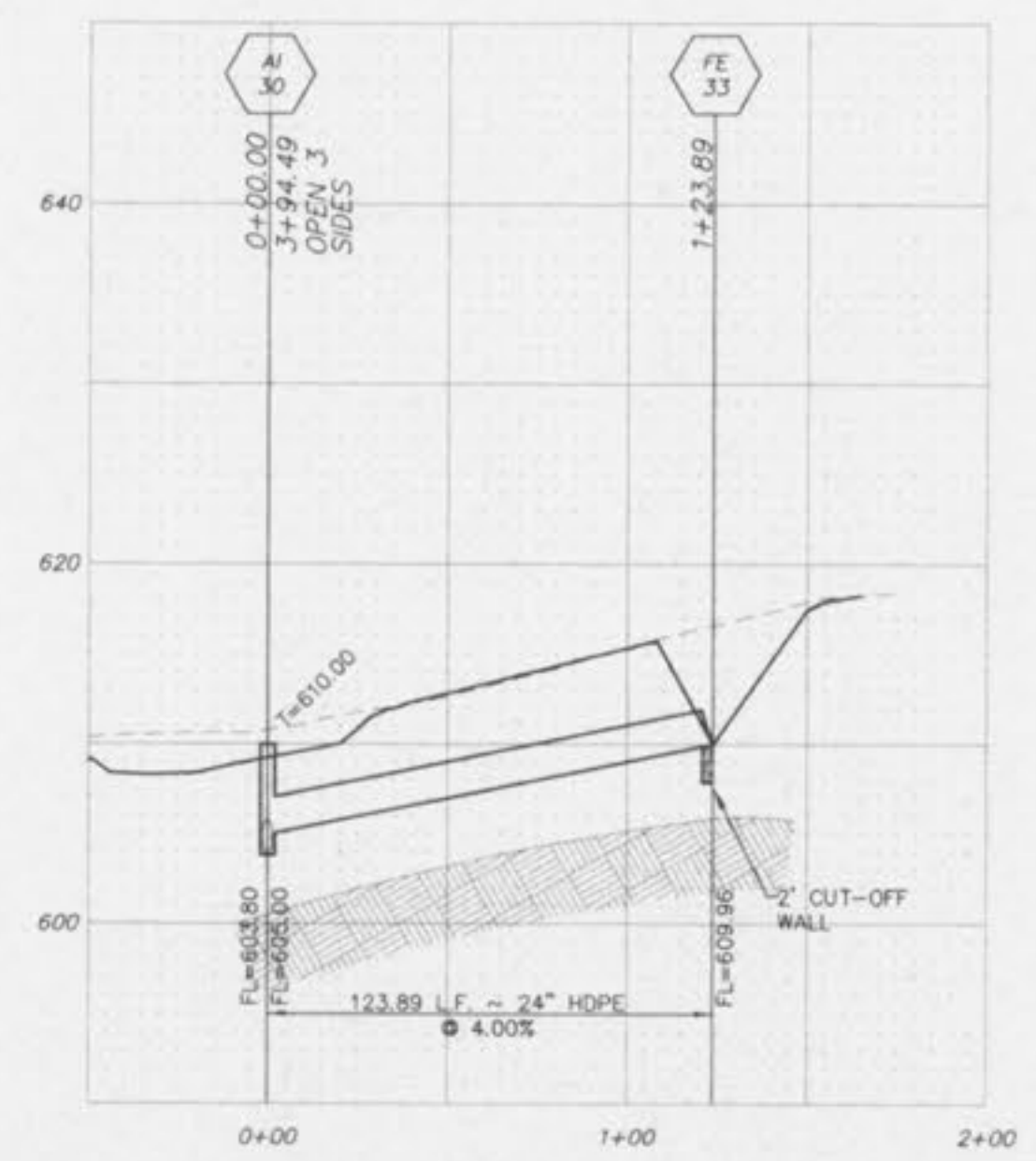
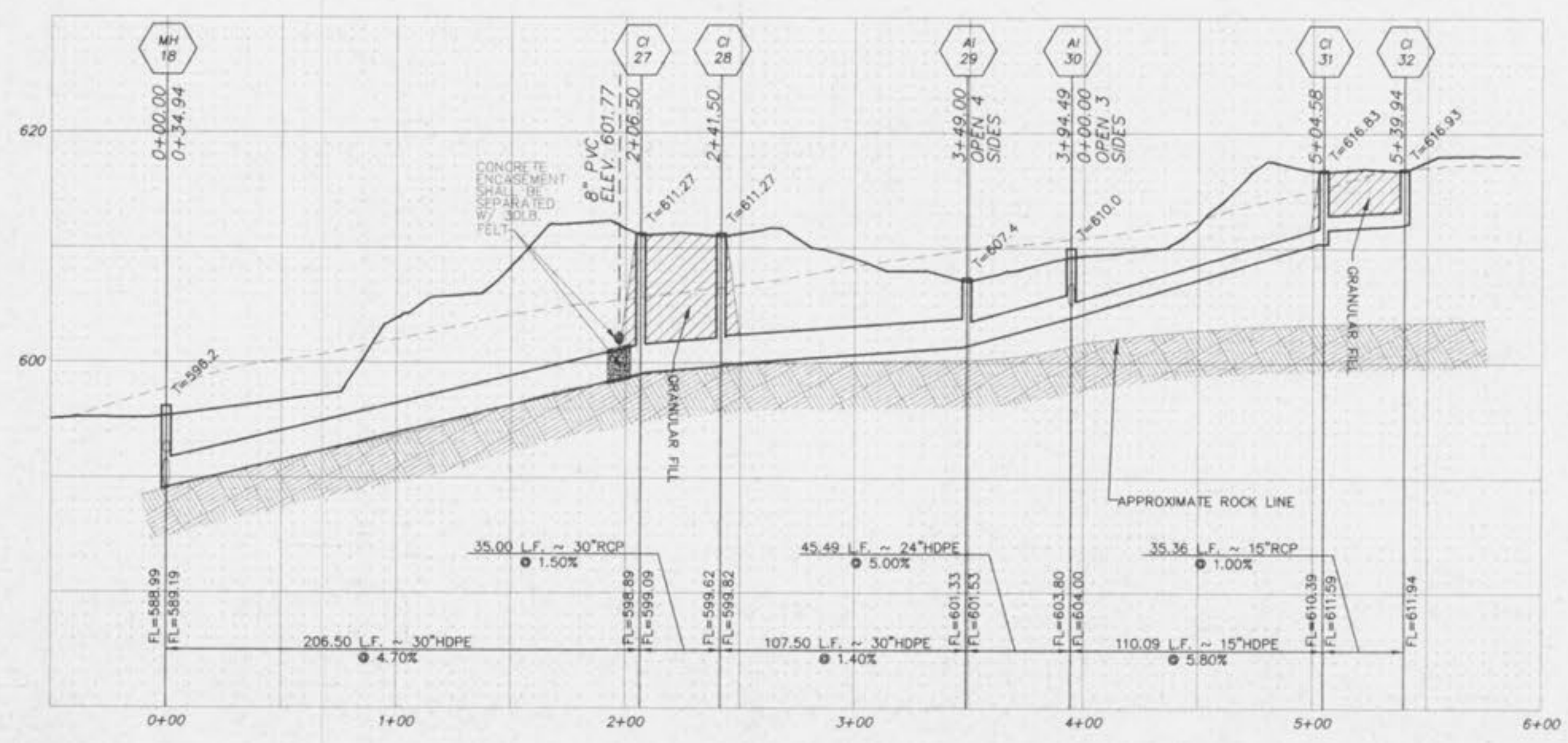
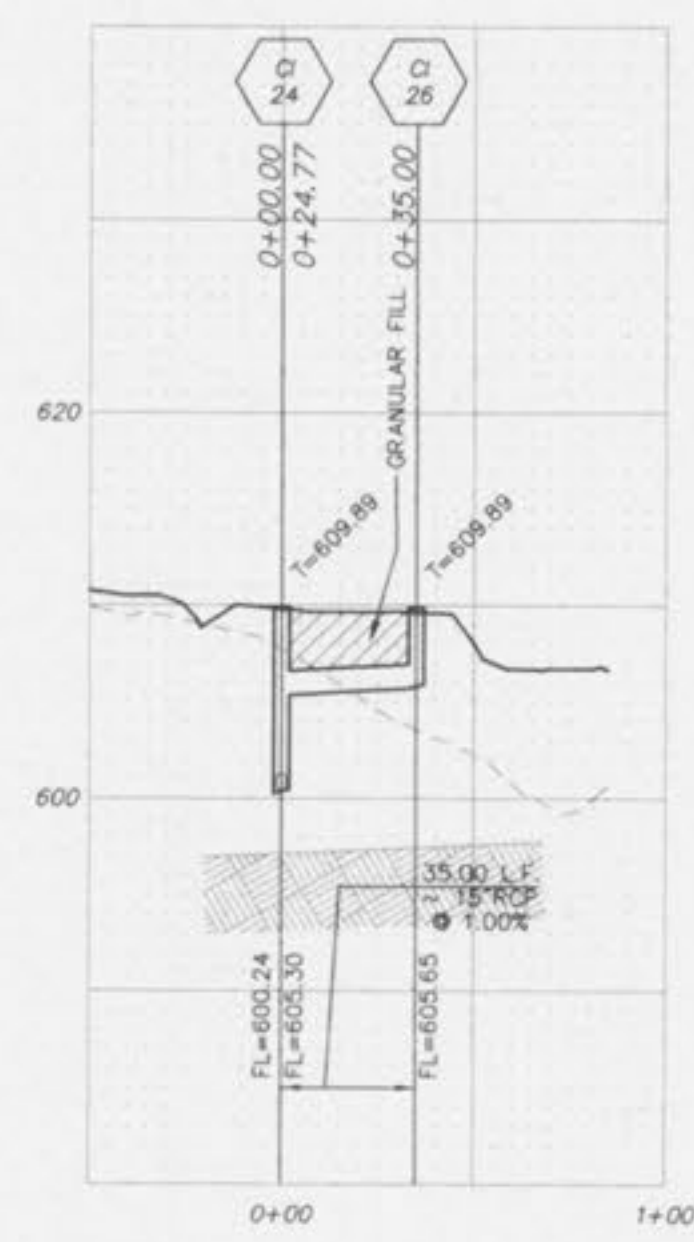
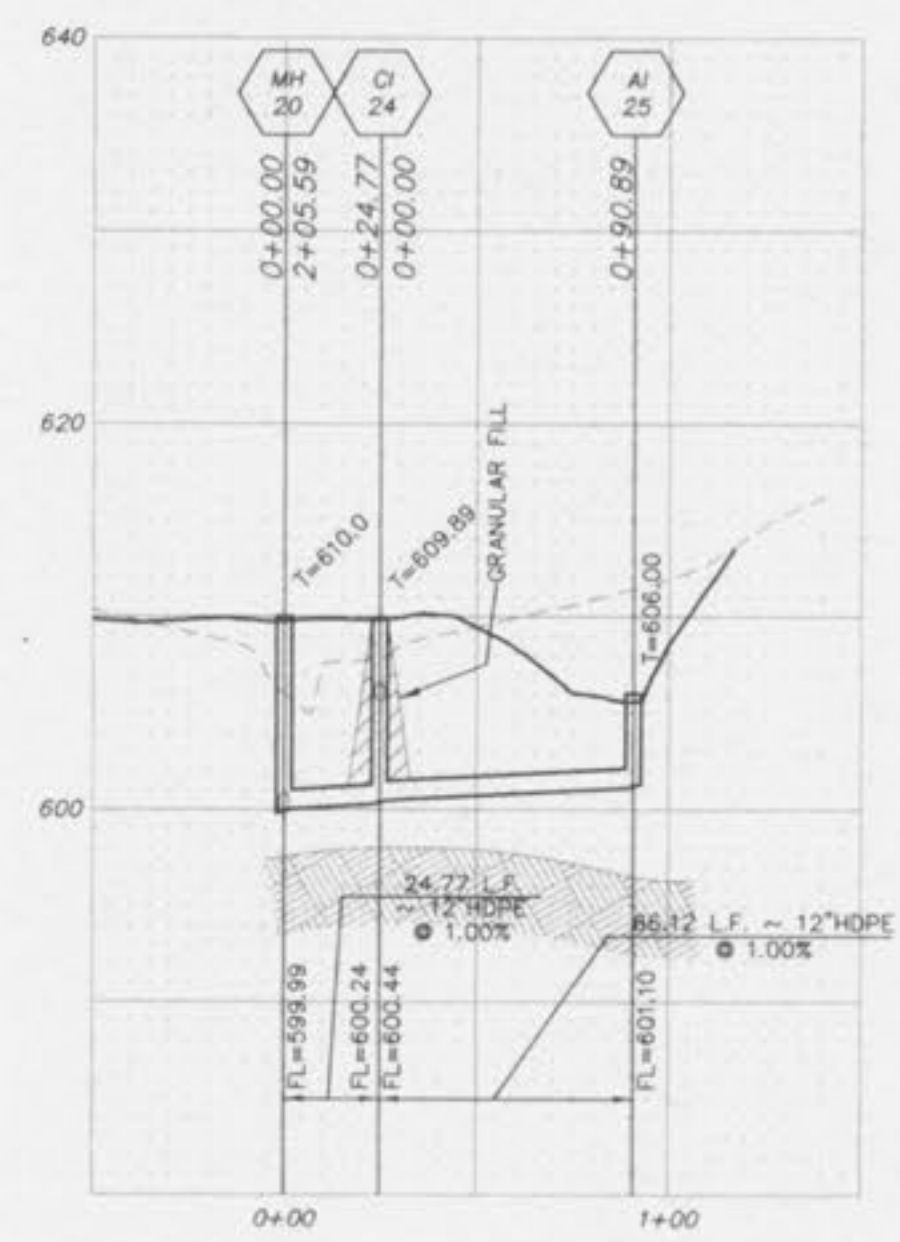


\\1server-prs\projects\02041\dwg\02041SEWERS.dwg, 09/24/02 08:08:01 AM



HORIZONTAL SCALE 1" = 50'
VERTICAL SCALE 1" = 10'



DETENTION BASIN
OUTFALL STRUCTURE
06
42" DIA CONCRETE STANDPIPE
STRUCTURE W/GRATE ON SILL
NOT TO SCALE

PICKETT RAY & SILVER
CIVIL ENGINEERS
PLANNERS
LAND SURVEYORS
333 Mid Rivers Mall Drive
St. Peters, MO 63376
Phone (636) 397-1211
Fax (636) 397-1104

WHITEGATE VILLAS
STORM SEWER PROFILES
Prepared For:
SUMMIT POINTE L.C.
239 FOX HILL RD.
ST. CHARLES, MO 63301
636-340-9360

REVISIONS	NO.	DATE	REV. PER CITY OF O'FALLON
	1	09-08-02	REV. PER CITY OF O'FALLON
	2	09-23-02	REV. PER CITY OF O'FALLON

ENGINEERS AUTHENTICATION
The responsibility for professional engineering liability on this project is hereby limited to the set of plans authenticated by the seal, signature, and date hereunder attached. Responsibility is disclaimed for all other engineering plans involved in this project and specifically excludes revisions after this date unless reauthenticated.
PICKETT RAY & SILVER, INC.
HAROLD J. BARTCH
REGISTERED PROFESSIONAL ENGINEER
NUMBER E-17751

DRAWN ABK	DATE 07-09-02
CHECKED DWD	DATE 07-09-02
PROJECT # 02041.SUPO.01R	FIELD BOOK