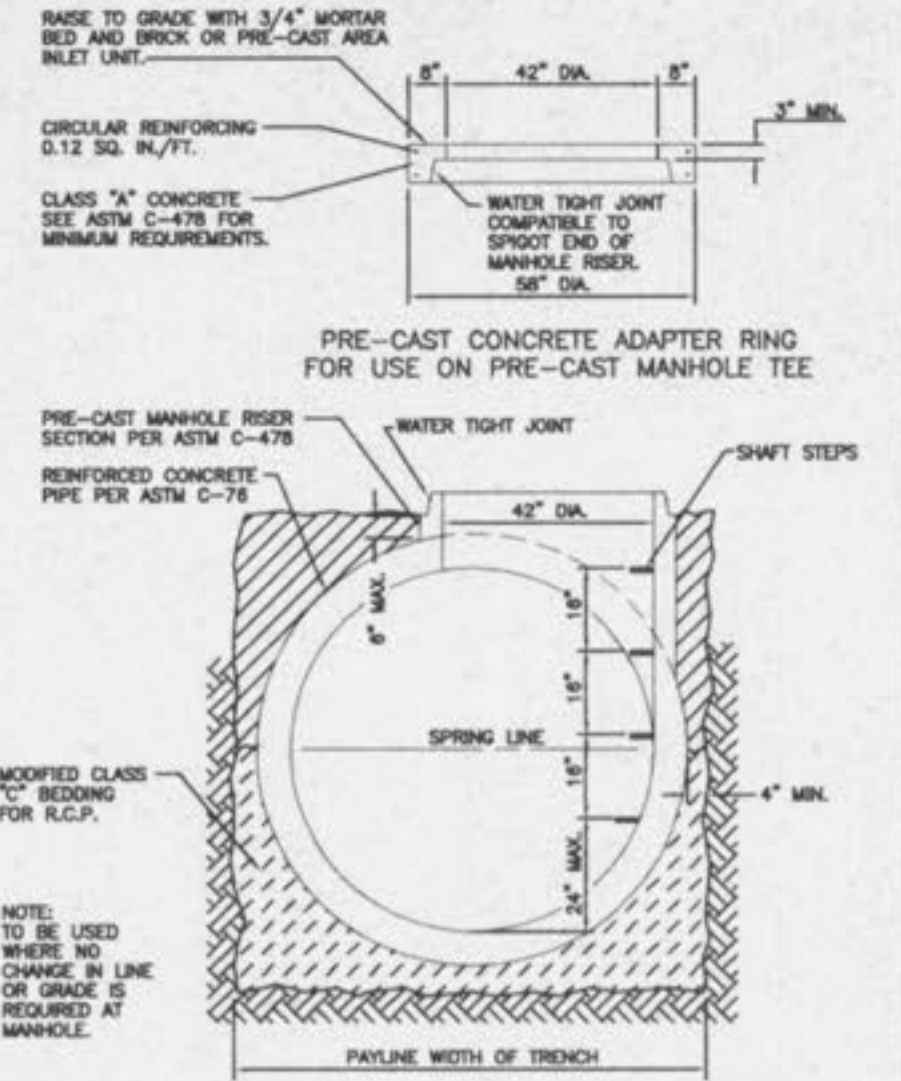
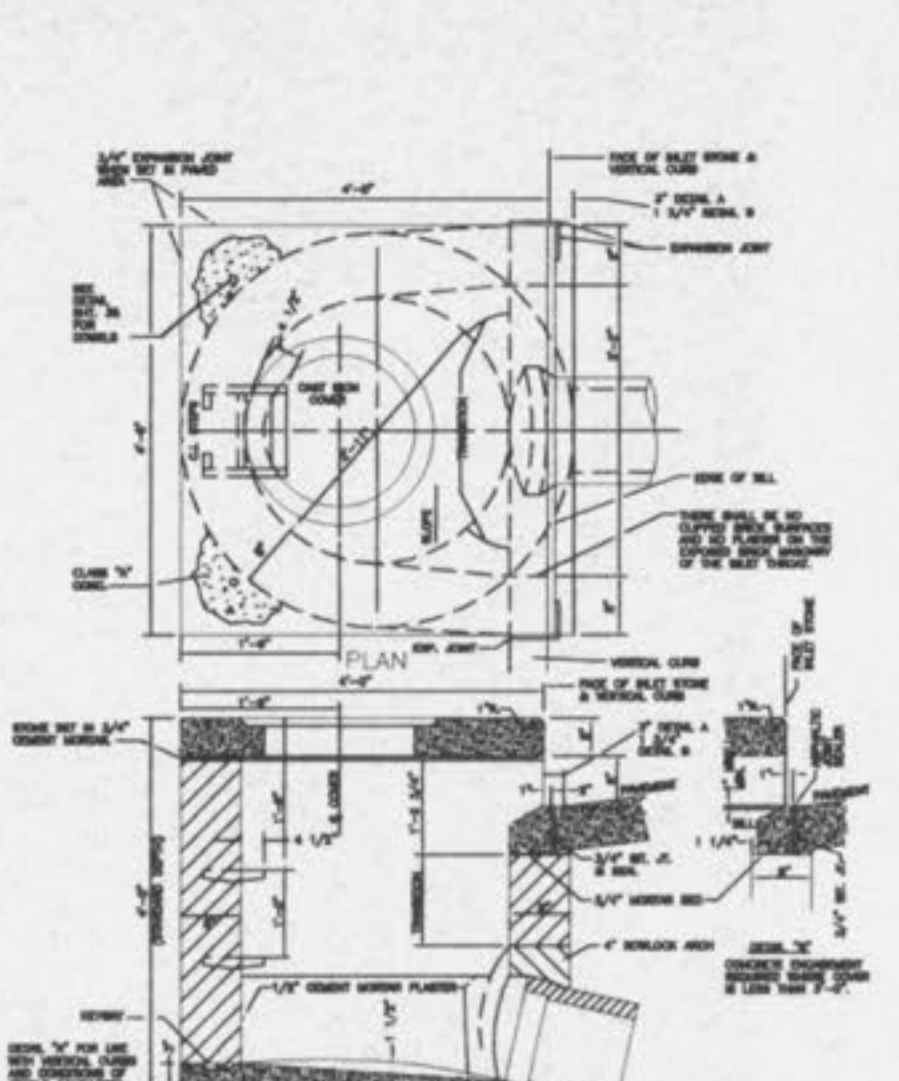


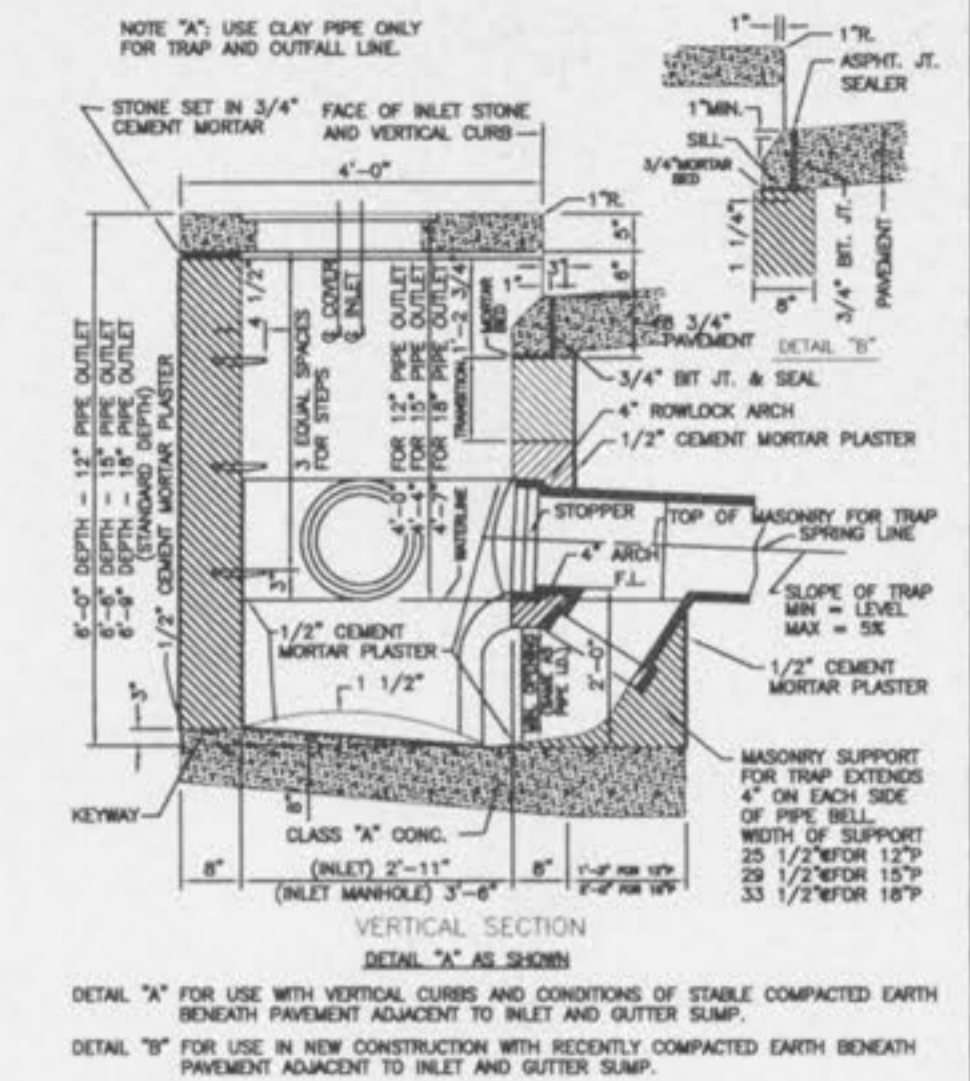
PRE-CAST CONCRETE MANHOLE FOR SEWERS 8" THROUGH 12"



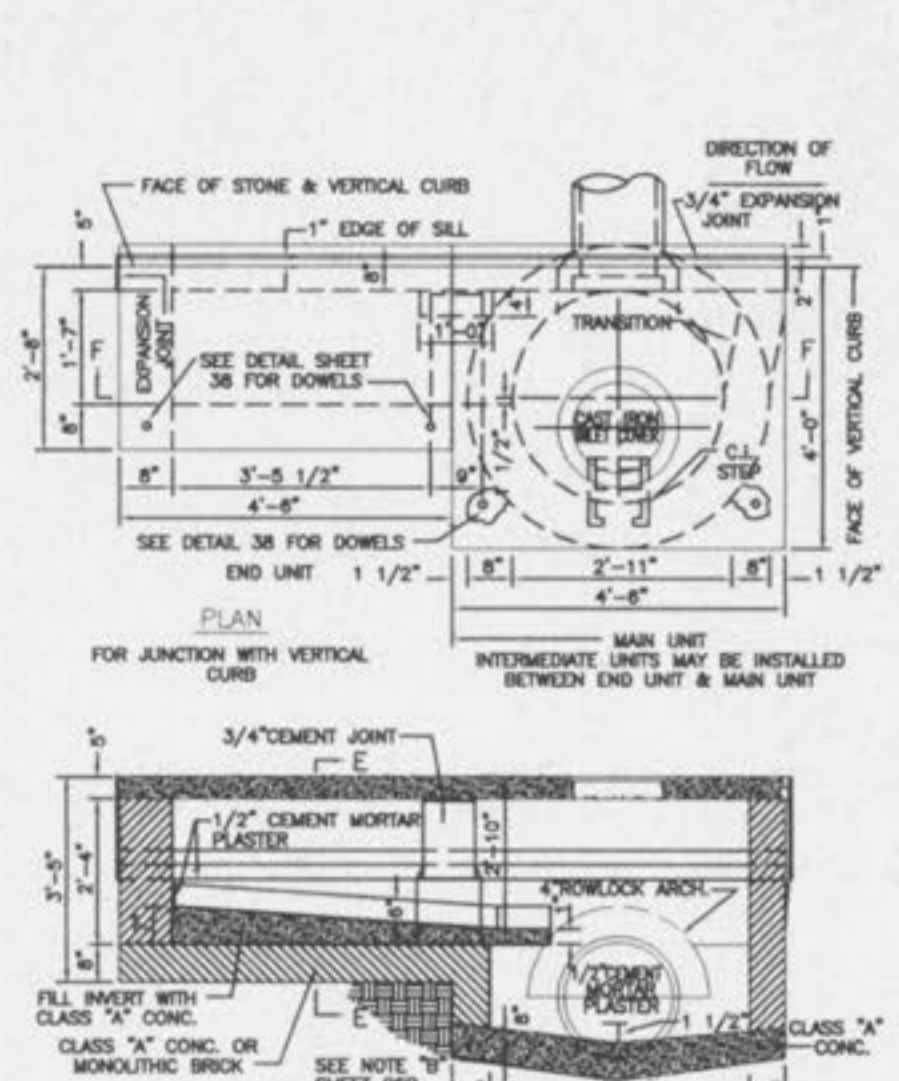
TYPICAL PRE-CAST M.H. TEE FOR REINFORCED CONCRETE PIPE SEWERS 48" AND LARGER IN DIAMETER



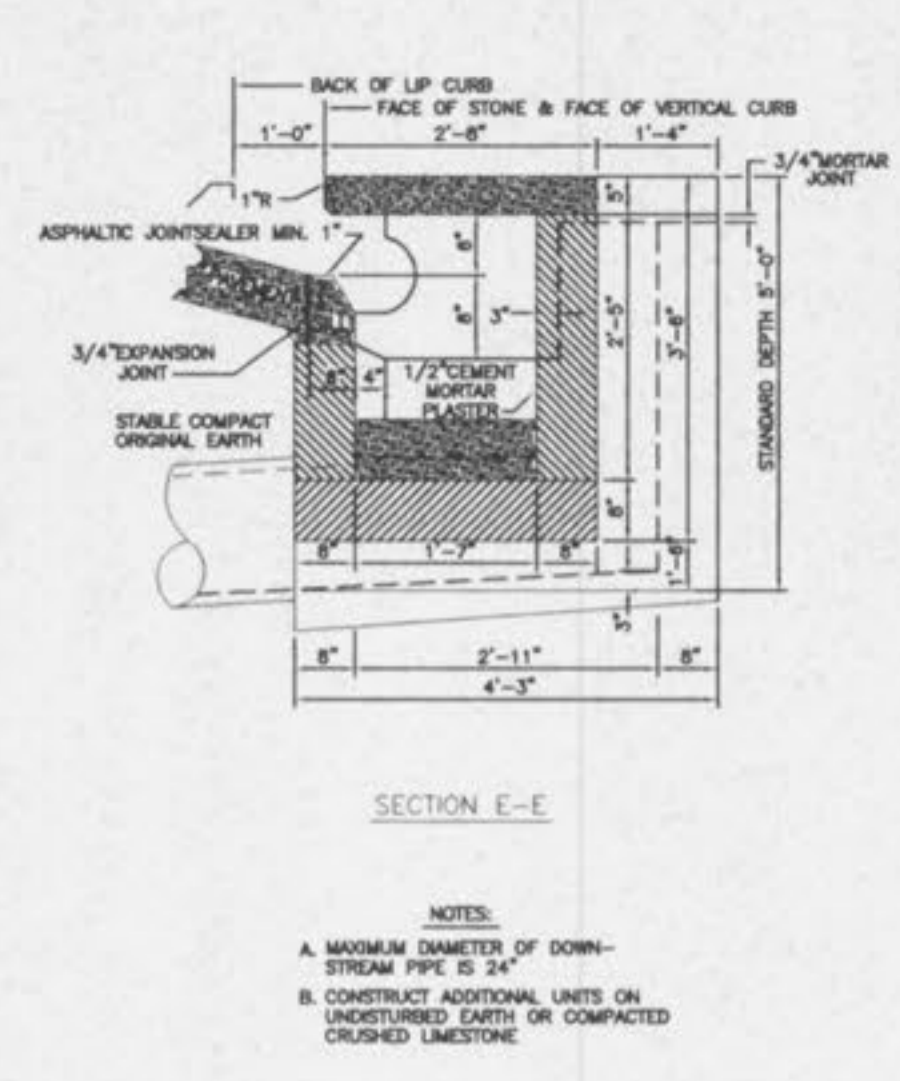
UNTRAPPED STREET INLET BRICK CONSTRUCTION



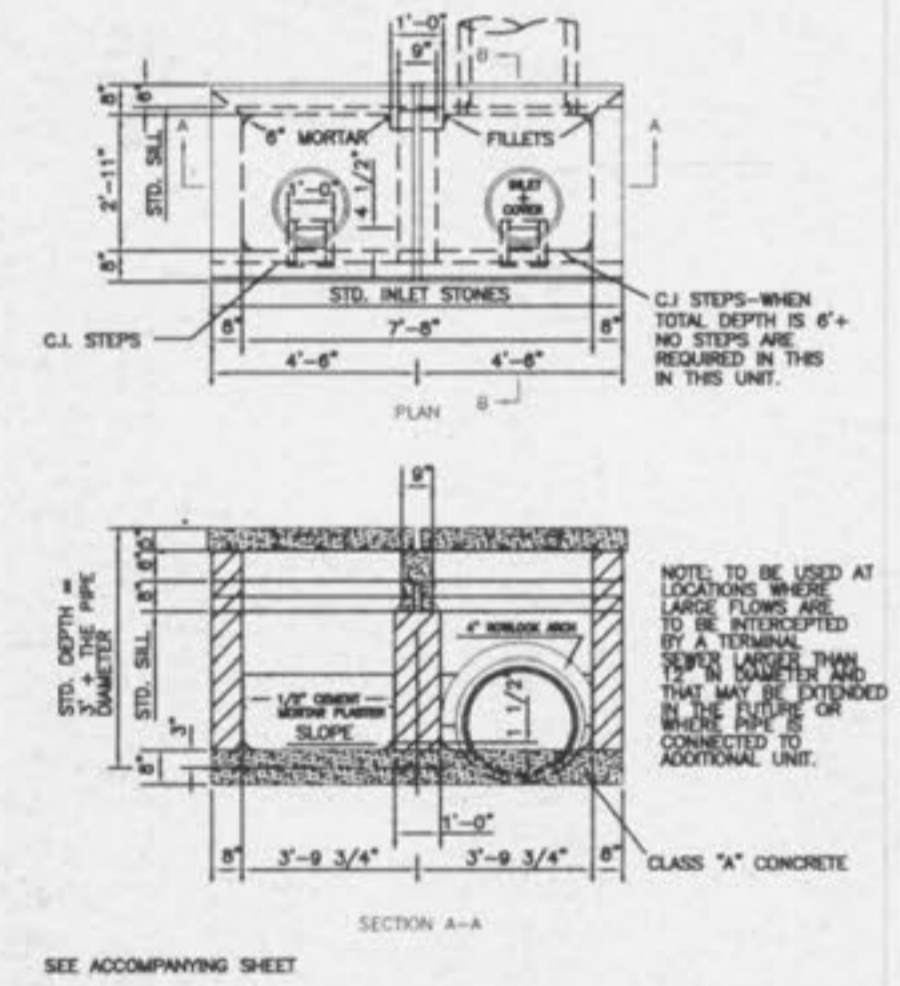
TRAPPED STREET INLET



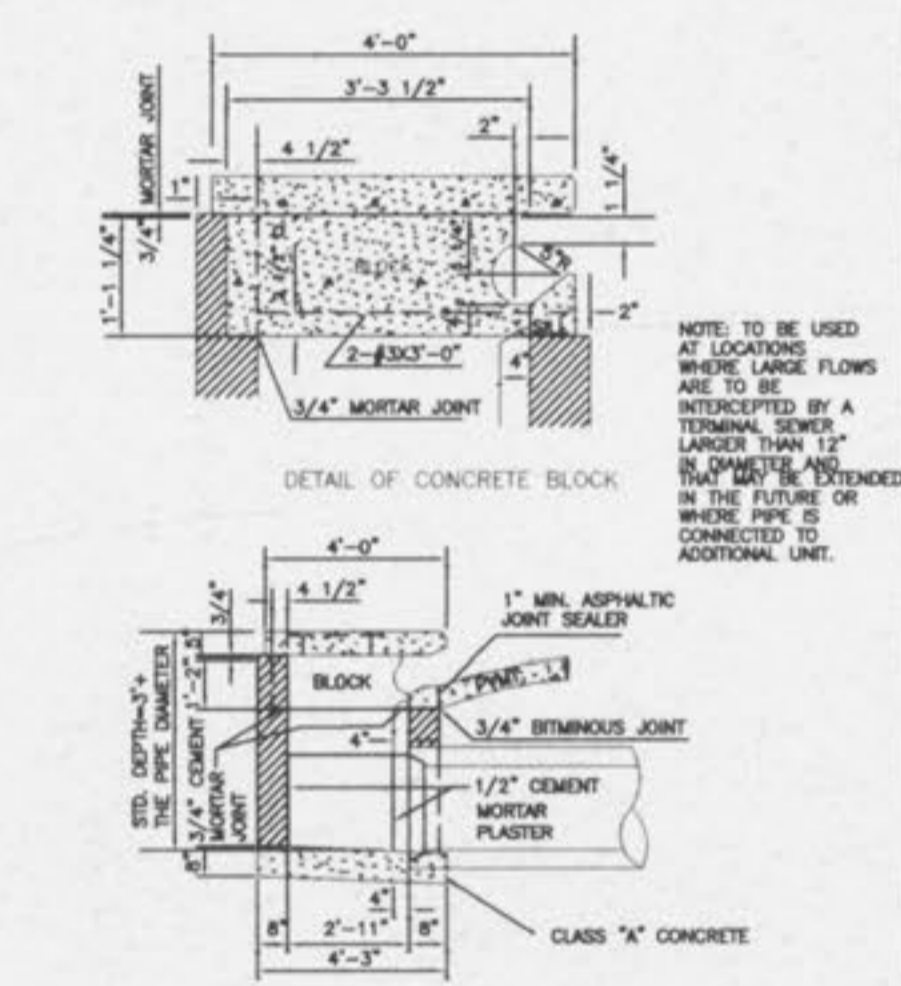
MULTIPLE STREET INLET BRICK CONSTRUCTION



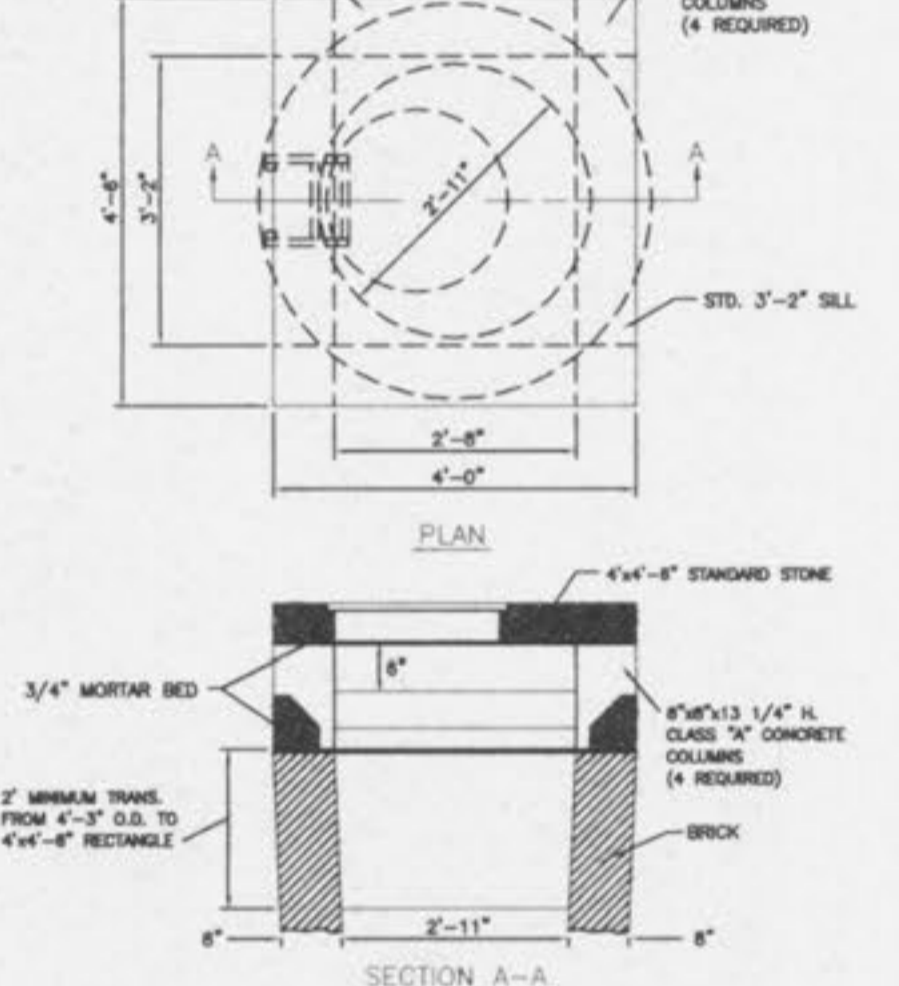
SECTION E-E



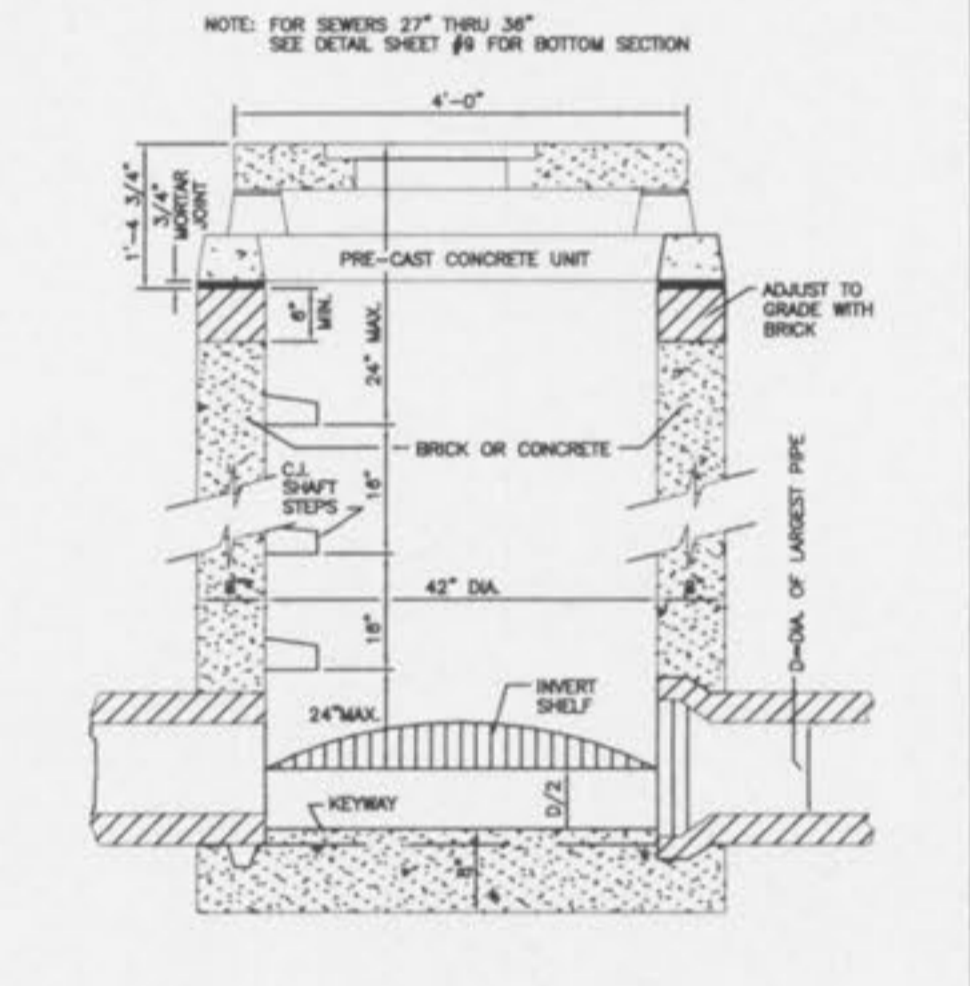
DOUBLE UNTRAPPED INLET



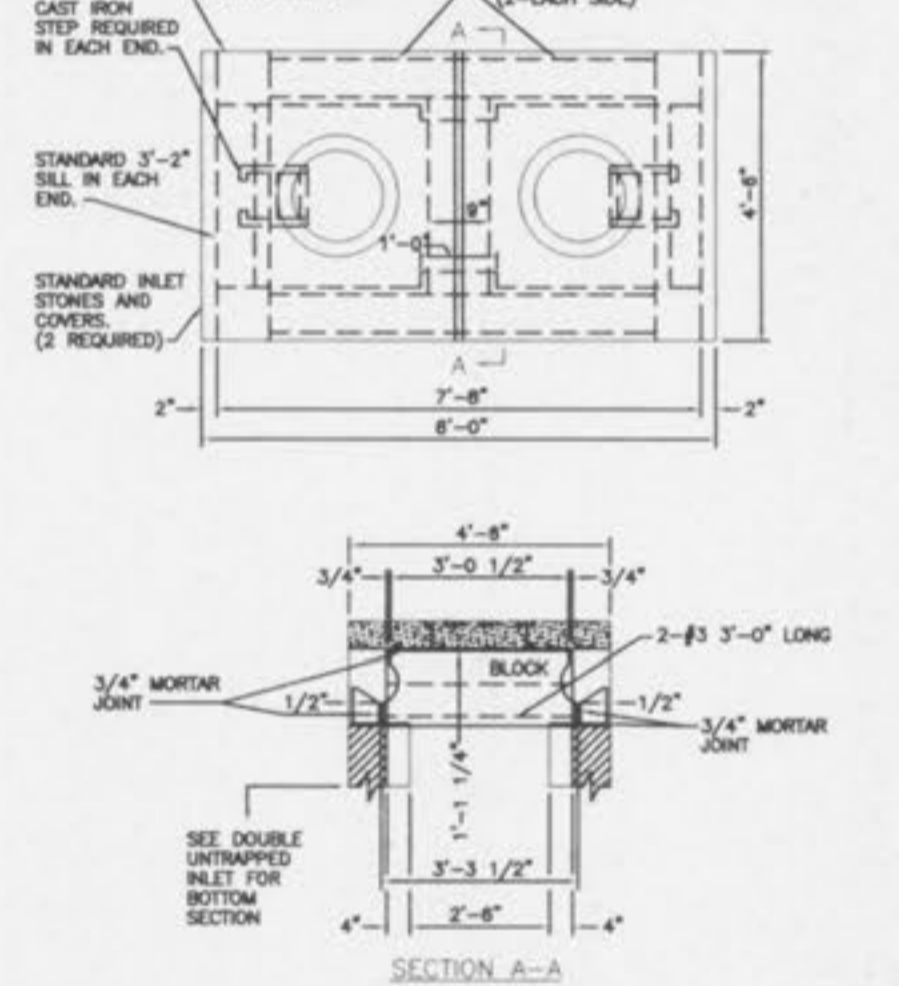
DETAIL OF CONCRETE BLOCK



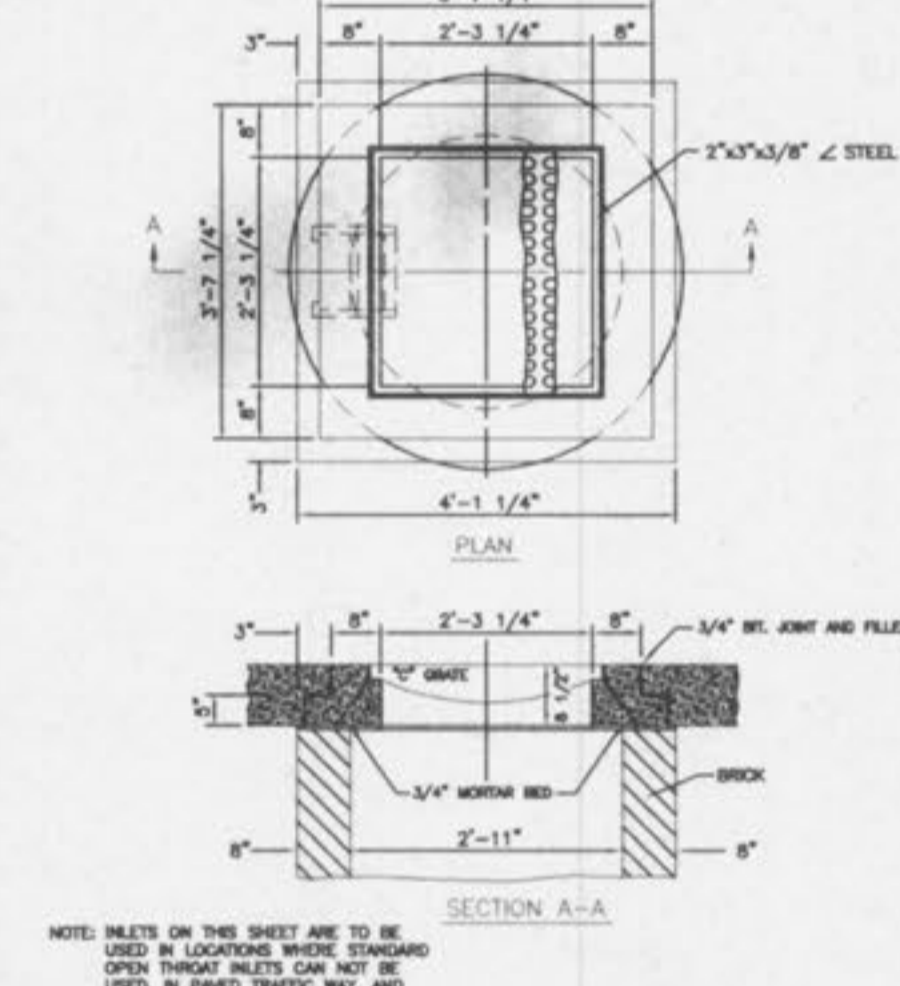
BRICK AREA INLET OPEN 4 SIDES



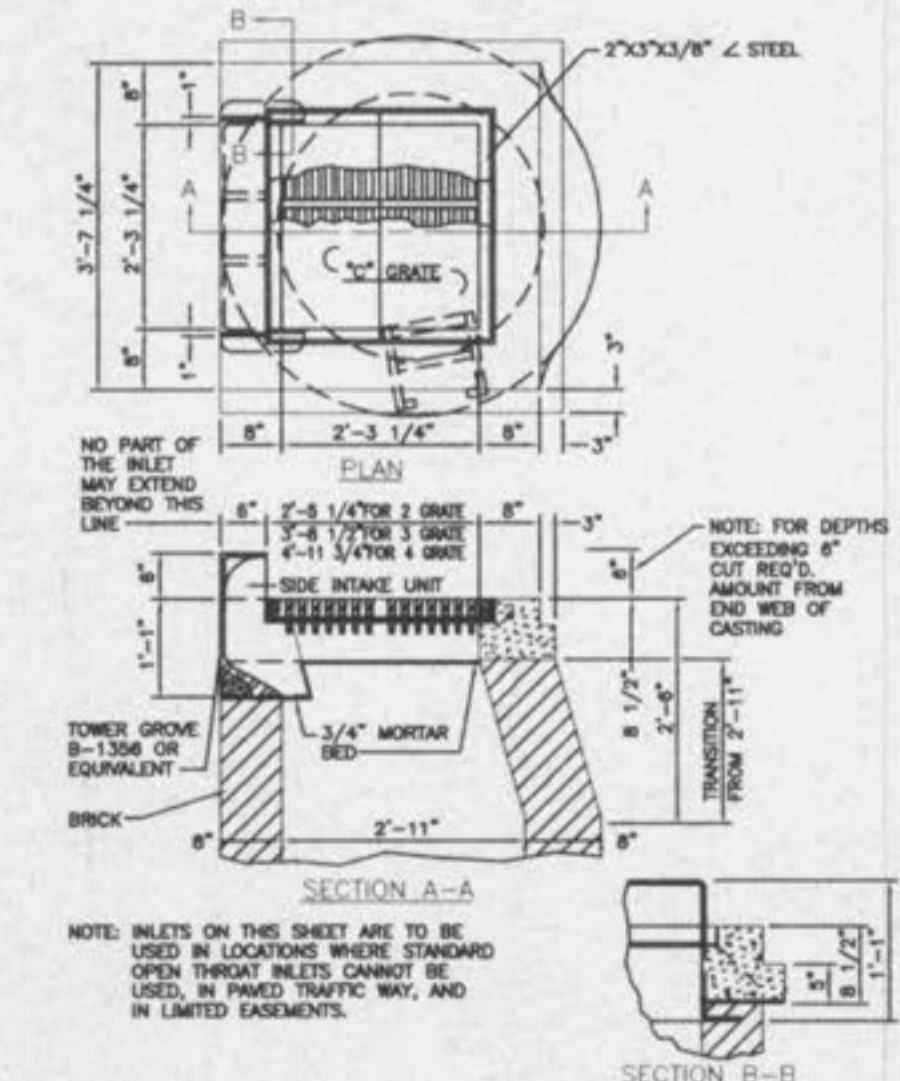
AREA INLET (12" THRU 24")



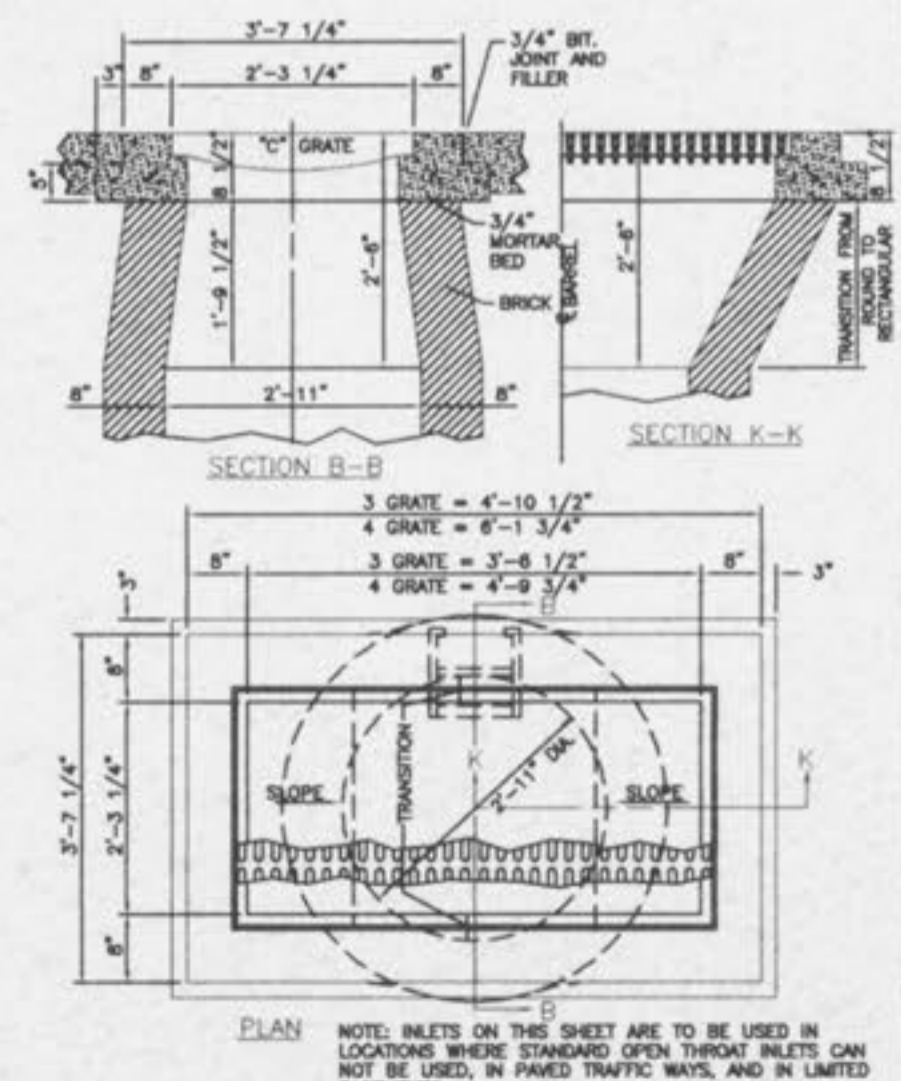
DOUBLE AREA INLET OPEN 4 SIDES



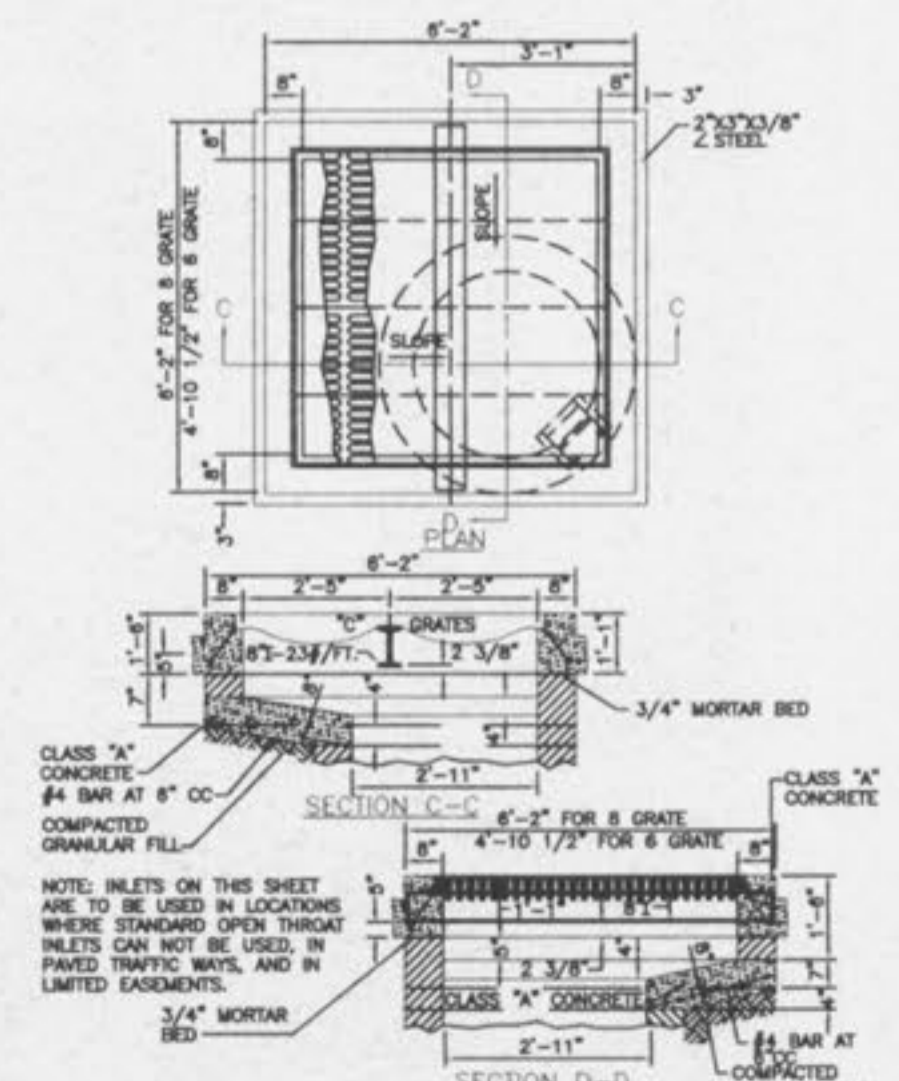
2 GRATE INLET



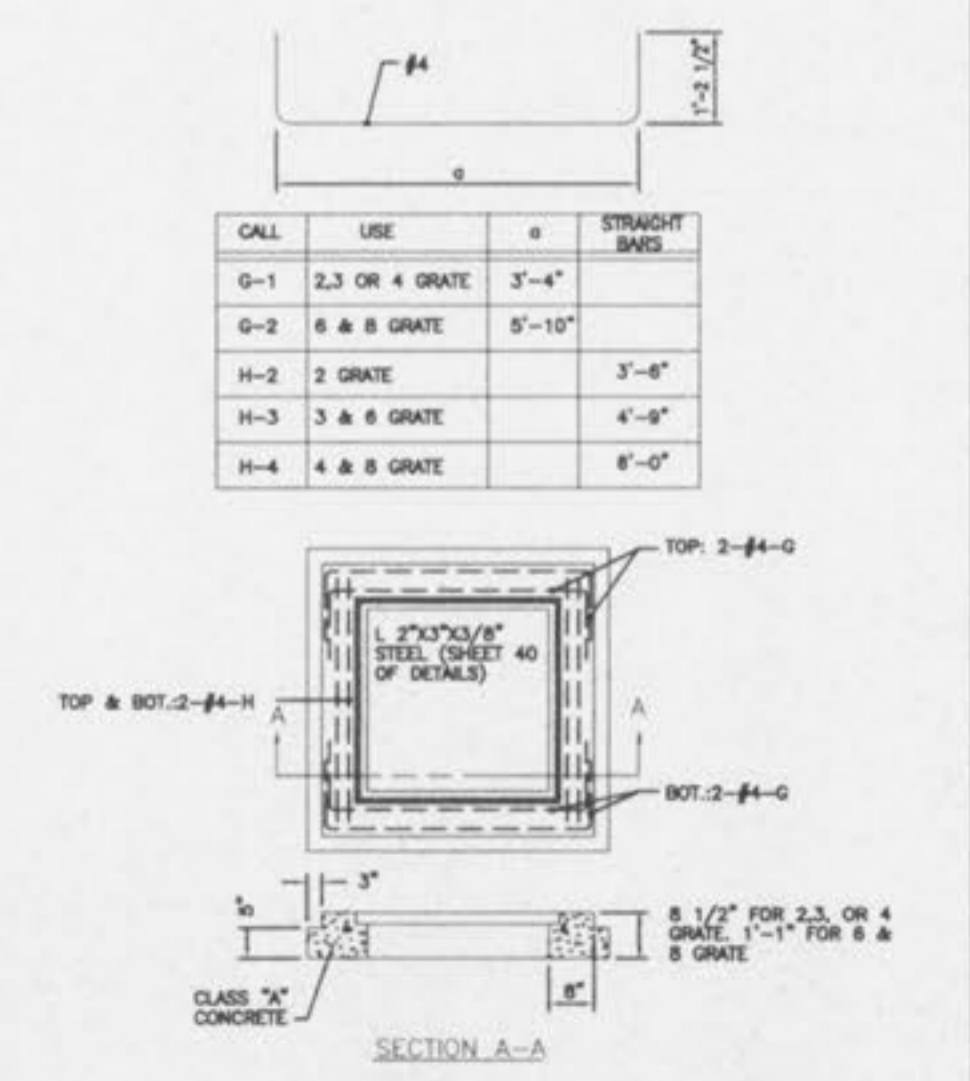
2 GRATE INLET WITH SIDE INTAKE UNIT



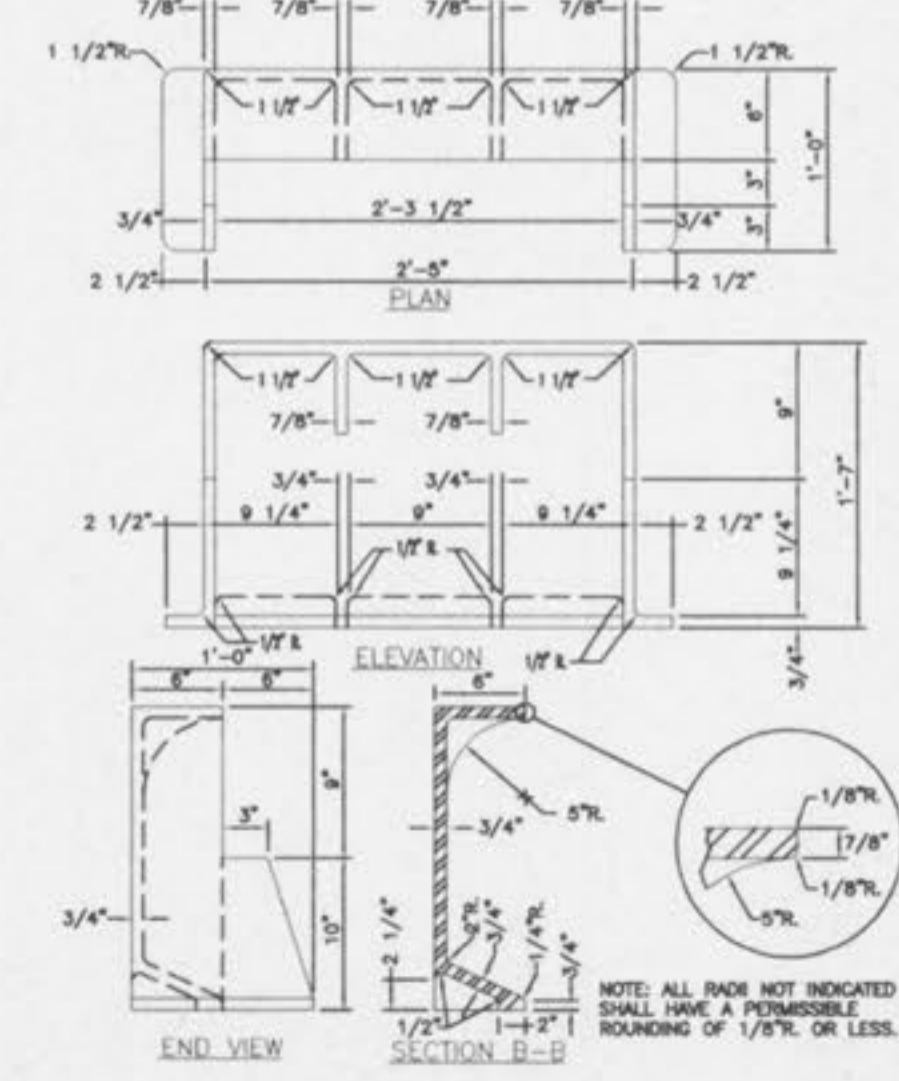
3 & 4 GRATE INLET



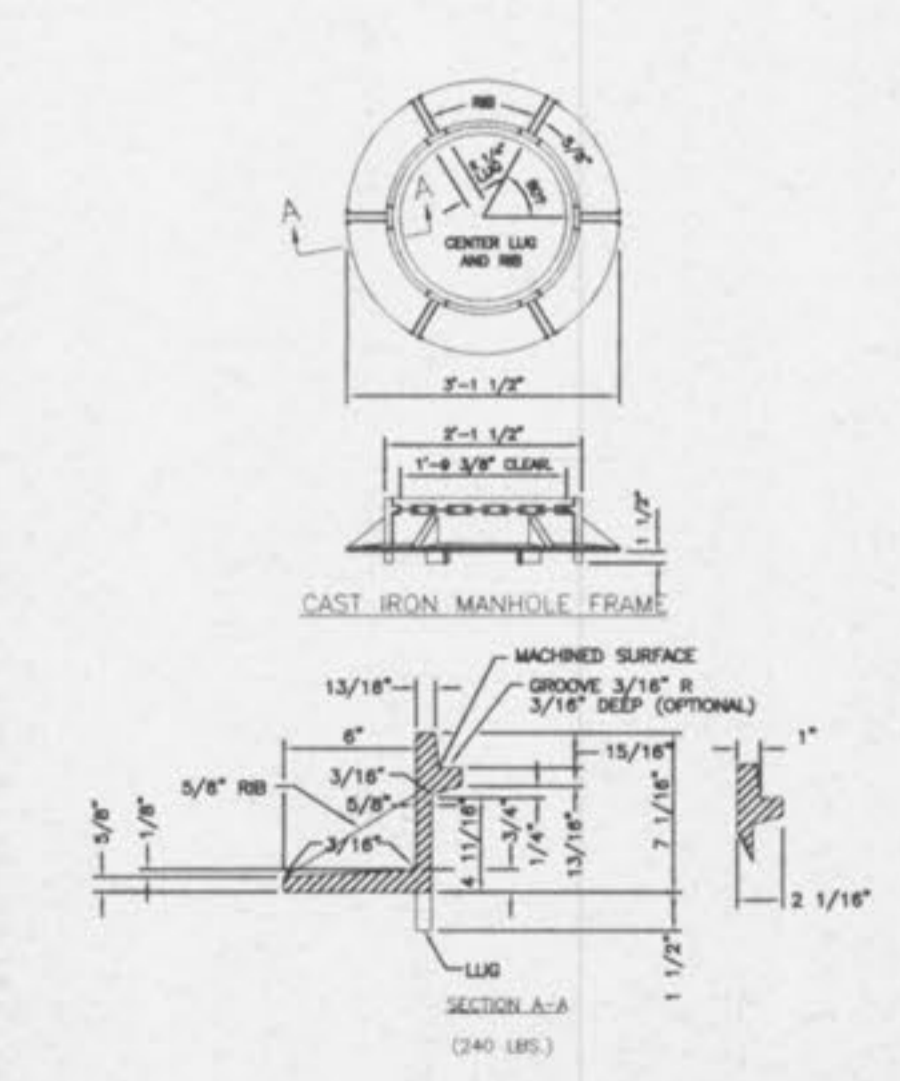
6 & 8 GRATE INLET



STEEL REQUIREMENTS FOR GRATE INLET SEAT



CAST IRON SIDE INTAKE UNIT FOR GRATED INLETS 249 LBS.



CAST IRON MANHOLE FRAME

PICKETT RAY & SILVER
 333 Mid Rivers Mall Drive
 St. Peters, MO 63376
 Phone (636) 397-1211
 Fax (636) 397-1104

WHITEGATE VILLAS
 ADDITION
 CONSTRUCTION DETAILS
 Prepared For:
SUMMIT POINTE L.C.

REVISIONS	NO.	DATE	BY	REV. PER CITY OF O'FALLON
	1	09-08-02		REV. PER CITY OF O'FALLON
	2	09-23-02		REV. PER CITY OF O'FALLON

ENGINEERS AUTHENTICATION
 The responsibility for professional engineering liability on this project is hereby limited to the set of plans authenticated by the seal, signature, and date hereunder attached. Responsibility is disclaimed for all other engineering plans involved in this project and specifically excludes revisions after the date unless reauthenticated.
PICKETT, RAY & SILVER, INC.
 STATE OF MISSOURI
HAROLD J. BARTCH
 REGISTERED PROFESSIONAL ENGINEER
 E-17751

DRAWN	DATE
ARK	07-15-02
CHECKED	DATE
DWD	07-15-02
PROJECT #	02041.SUPQ.OIR
TASK #	2 FIELD BOOK