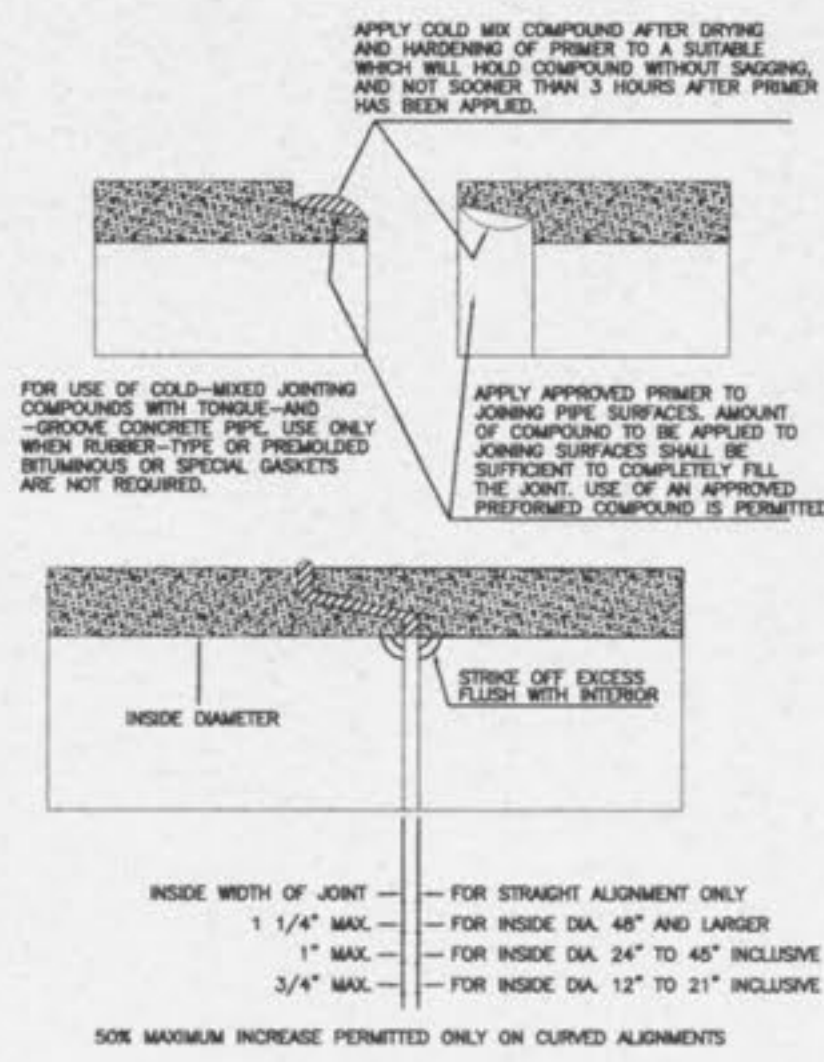
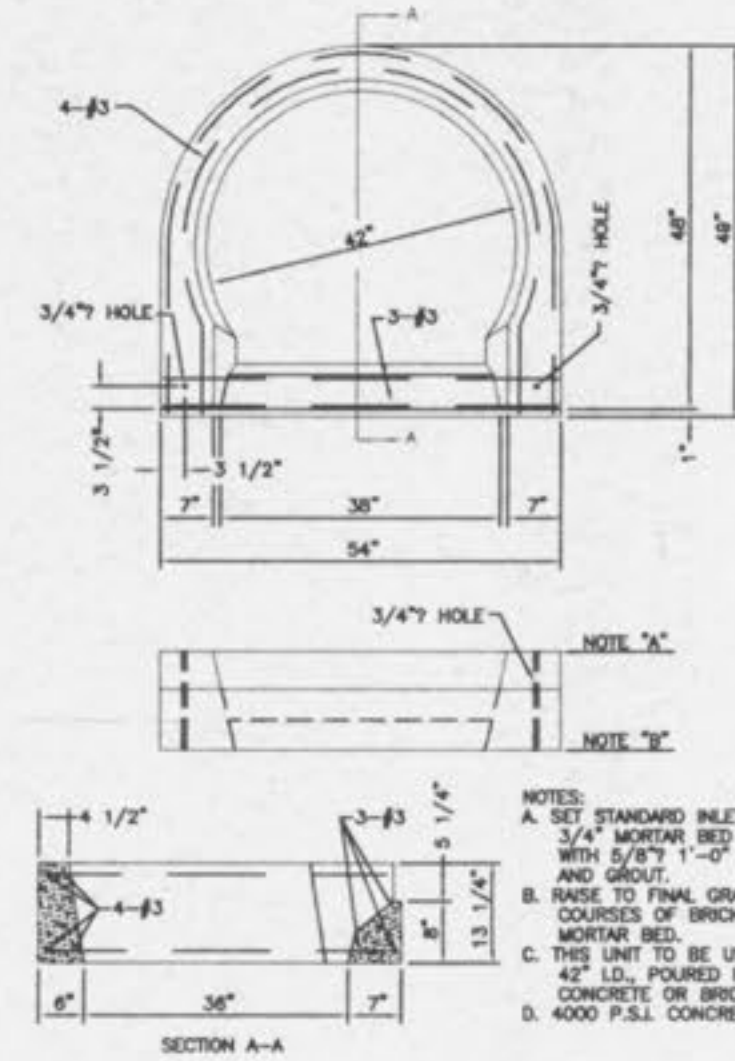


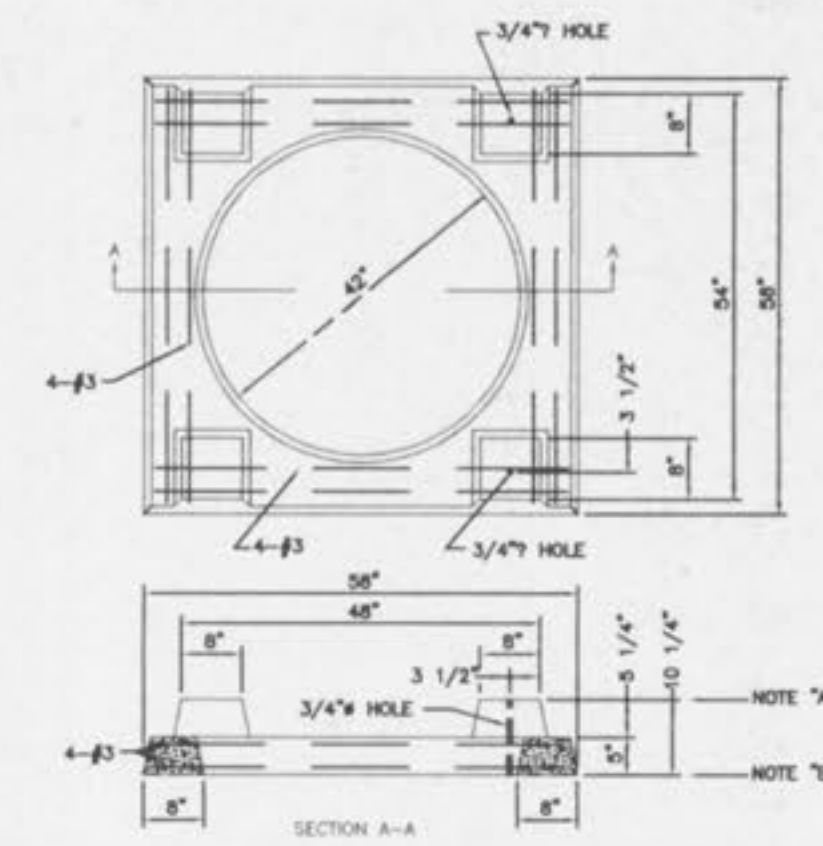
FORCE MAIN CLEANOUT  
(6" DIA. & SMALLER)



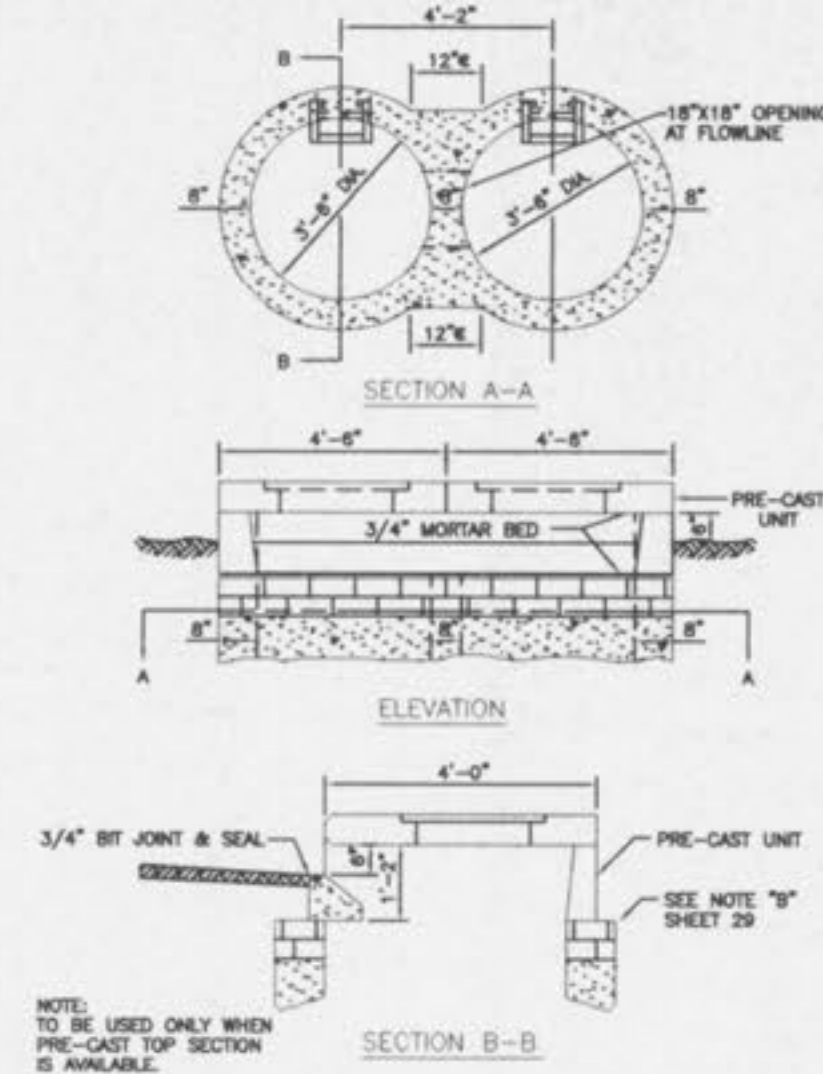
TONGUE AND GROOVE  
CONCRETE PIPE JOINTS



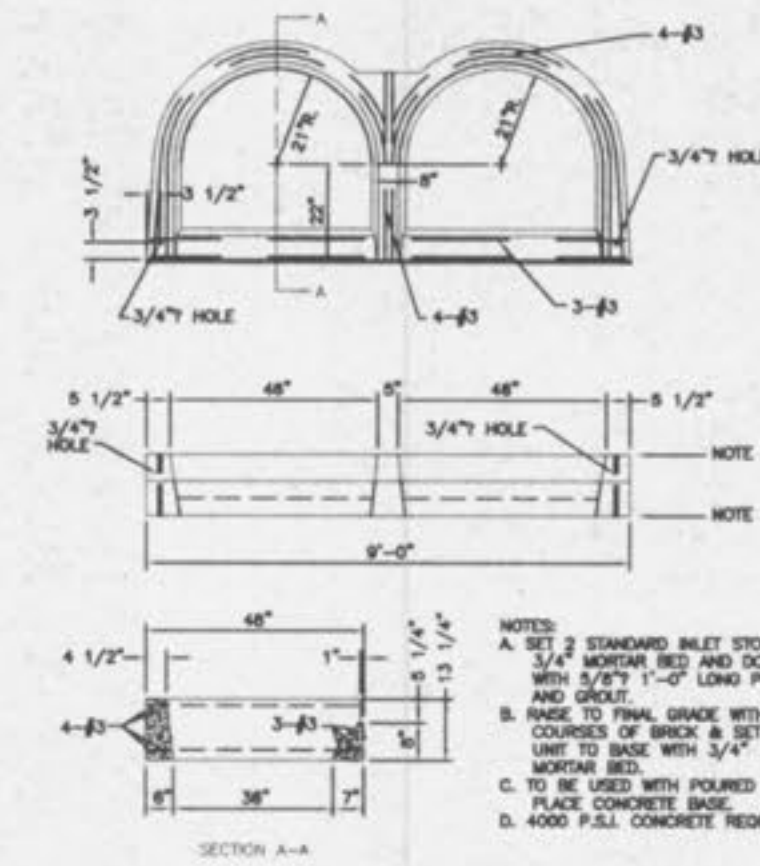
PRECAST CONCRETE UNIT  
FOR  
SINGLE CURB INLET



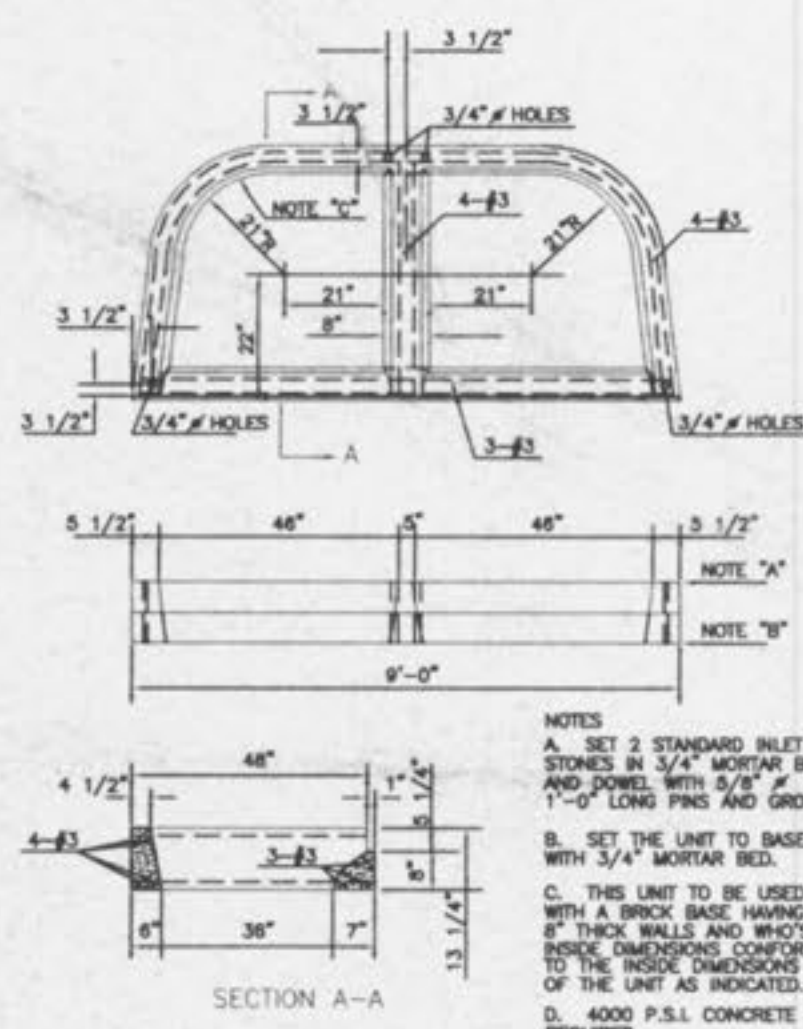
PRECAST CONCRETE UNIT  
FOR  
4-WAY AREA INLET



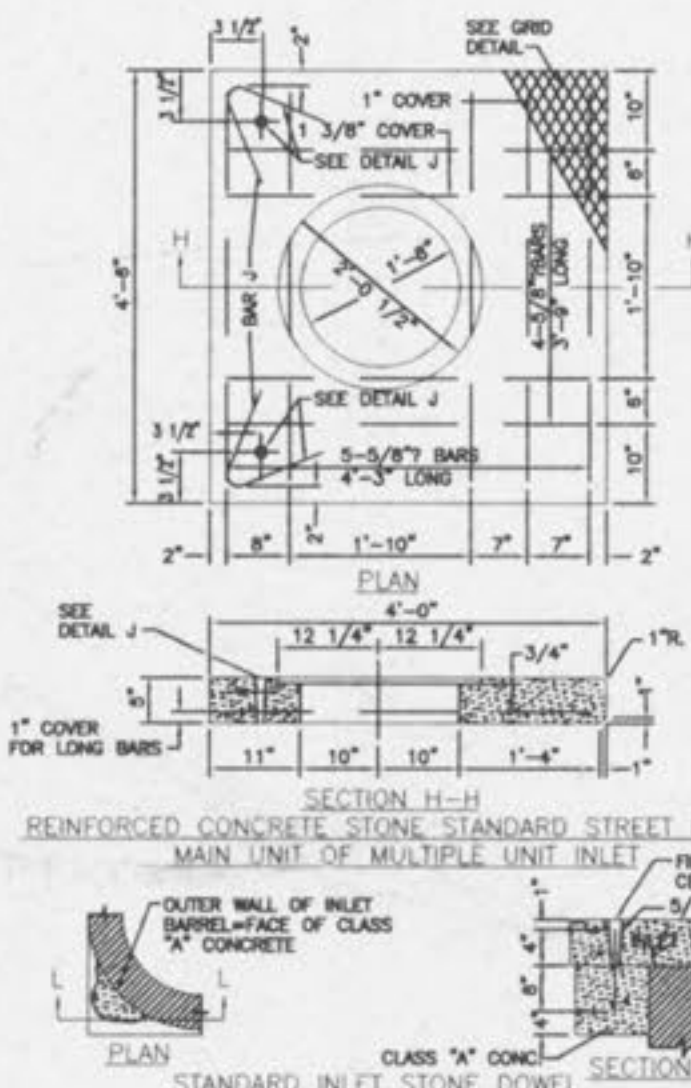
CONCRETE DOUBLE  
STREET INLET  
W/PRE-CAST TOP UNIT



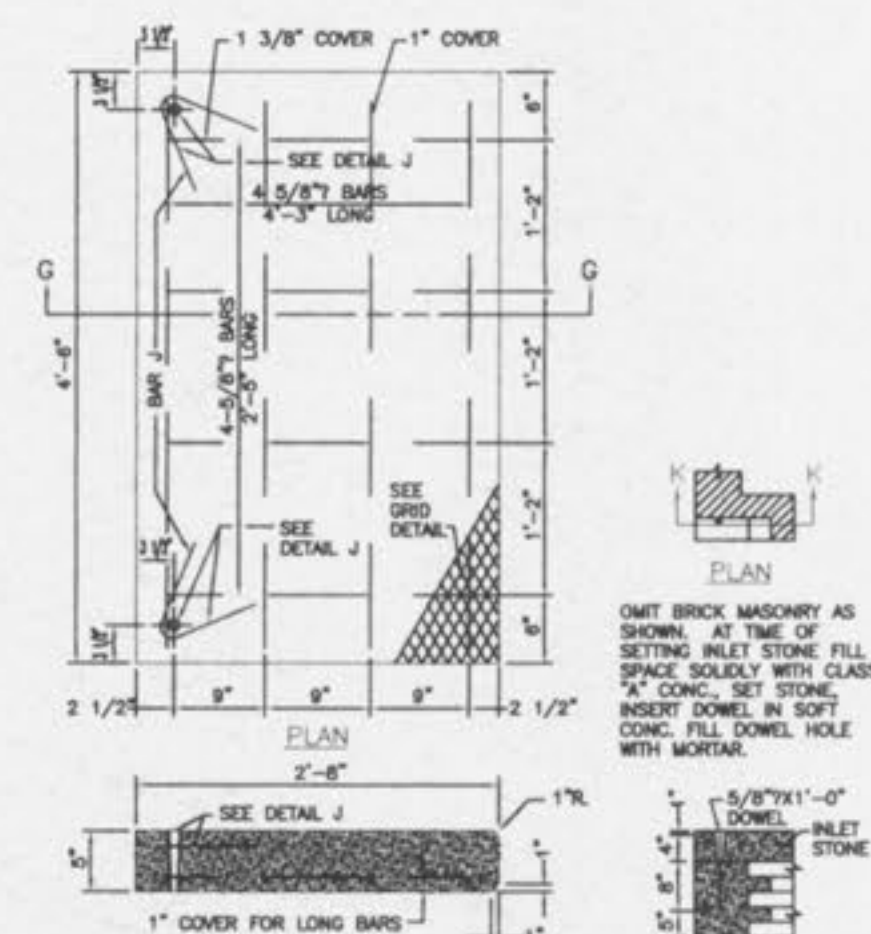
PRECAST CONCRETE UNIT FOR  
DOUBLE CURB INLET  
(WITH CONCRETE BASE)



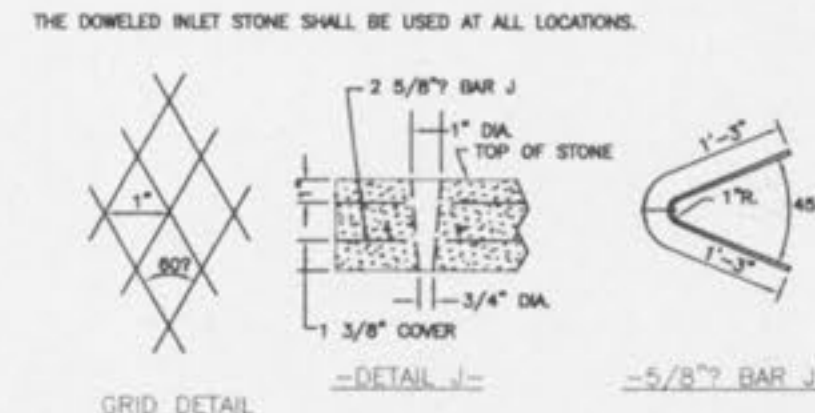
PRE-CAST CONCRETE UNIT FOR  
DOUBLE CURB INLET  
(WITH BRICK BASE)



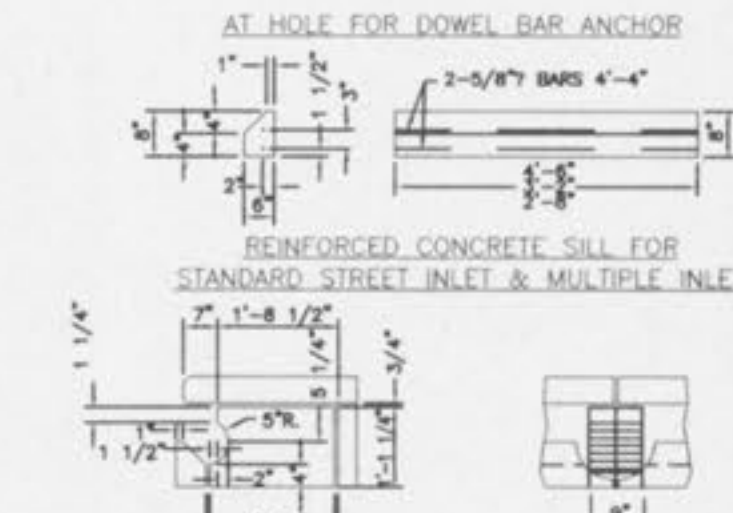
REINFORCED CONCRETE STONE STANDARD STREET INLET AND  
MAIN UNIT OF MULTIPLE UNIT INLET



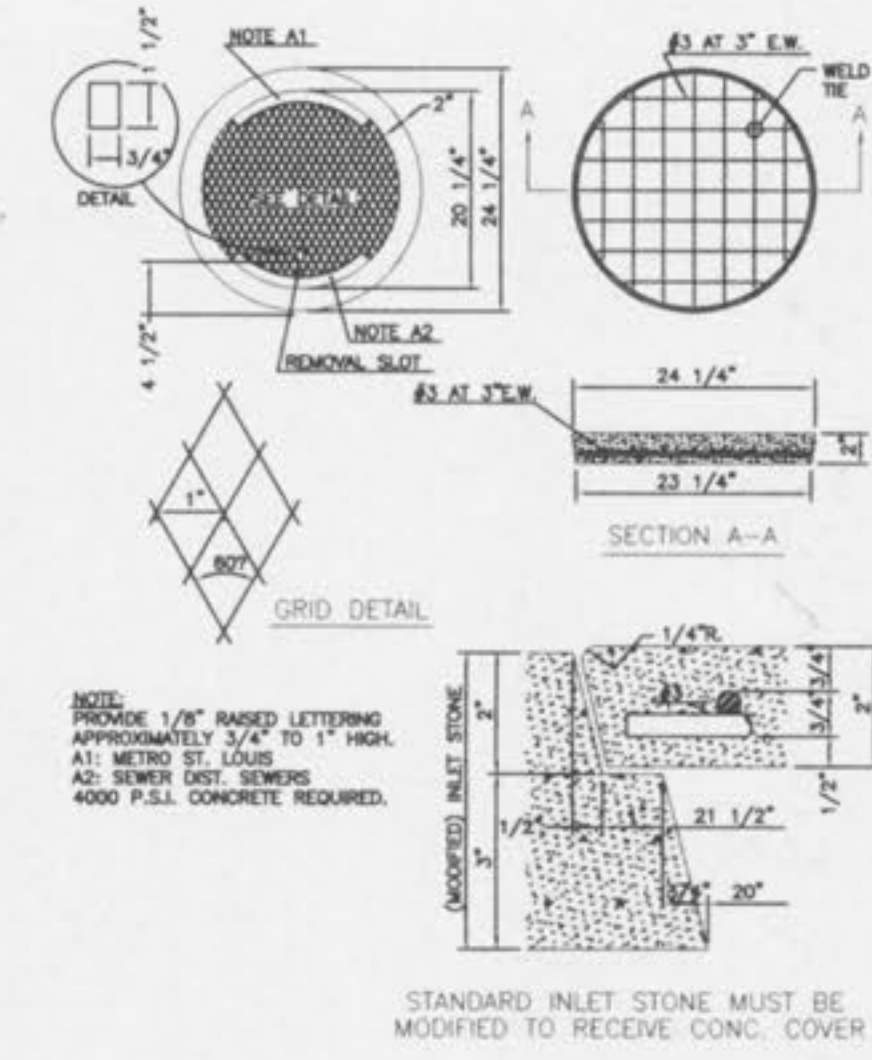
REINFORCED CONCRETE STONE FOR ADDITIONAL  
UNITS OF MULTIPLE UNIT INLET



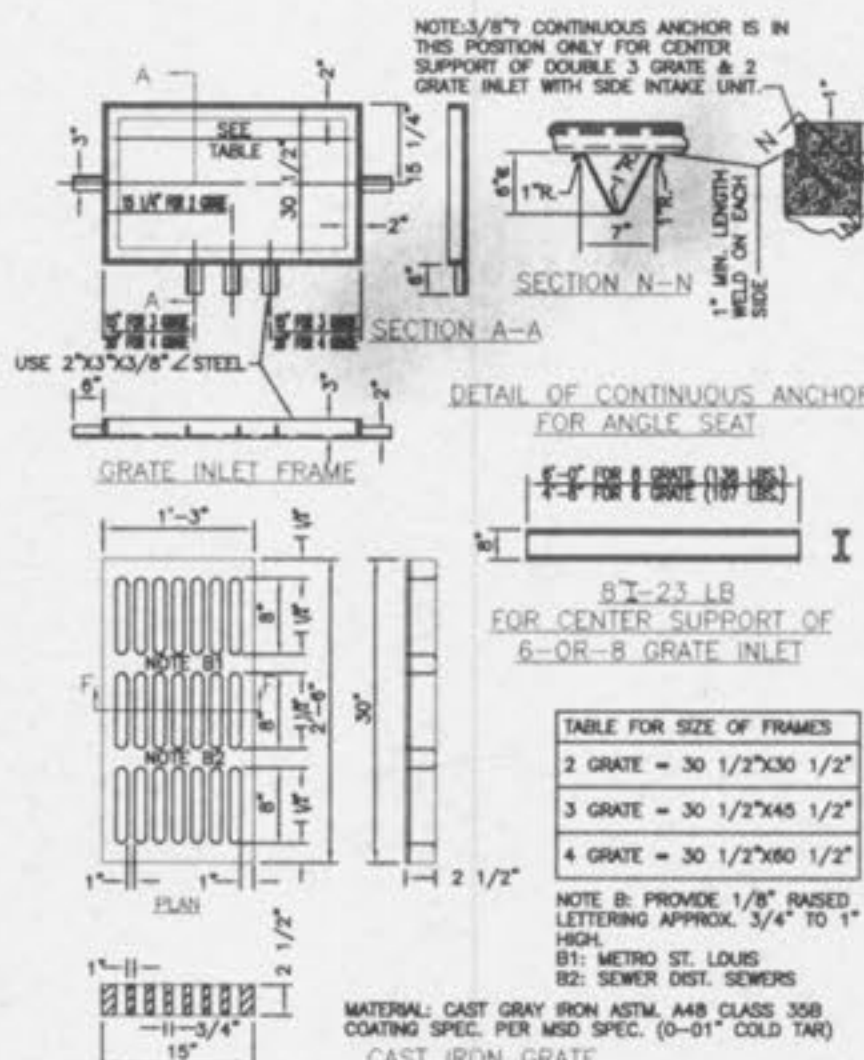
THE DOWELLED INLET STONE SHALL BE USED AT ALL LOCATIONS.



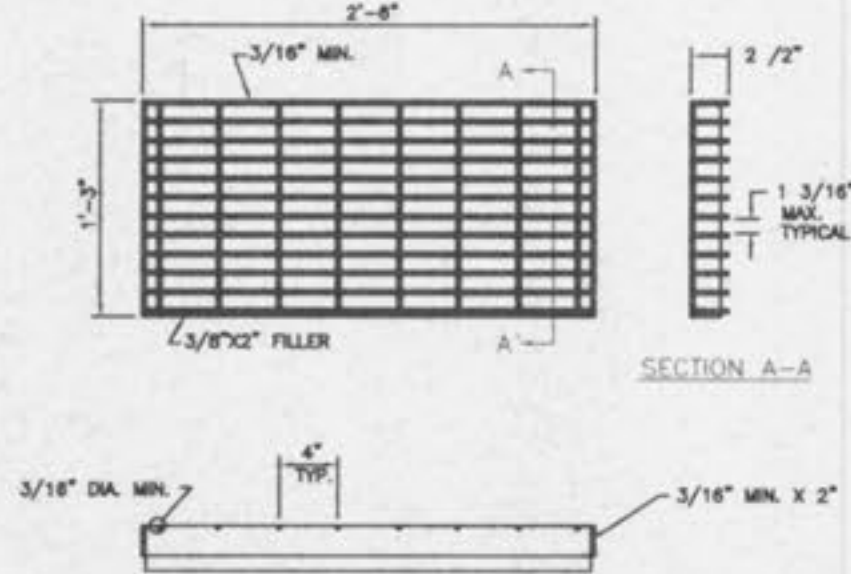
REINFORCED CONCRETE SILL FOR  
STANDARD STREET INLET & MULTIPLE INLET



PRE-CAST CONCRETE  
INLET COVER



DETAILS OF INLET  
FRAME AND GRATES



DETAIL OF STEEL GRATE  
(ALTERNATE TO  
CAST IRON "C" GRATE)

- FINISH - ASPHALTIC TO MIL COATING
- MATERIAL - MILD CARBON STEEL - ASTM A569
- CAPACITY - H-20 LOADING
- WEIGHT - 85 LB. MIN.
- TOLERANCES - ALL DIMENSIONS #1/8"
- IDENTIFICATION - THE MANUFACTURER MUST PLACE HIS NAME OR MARK ON EACH UNIT FOR THE PURPOSE OF IDENTIFICATION

**PICKETT RAY & SILVER**

333 Mid Rivers Mall Drive  
St. Peters, MO 63376  
Phone (636) 397-1211  
Fax (636) 397-1104

**WHITEGATE VILLAS  
ADDITION  
CONSTRUCTION DETAILS**

239 FOX HILL ROAD  
ST. CHARLES, MO 63301  
636-540-9500

Prepared For:  
**SUMMIT POINTE L.C.**

REVISIONS	NO.	DATE	BY	PER CITY OF FALLON
	1	09-06-08	REV.	PER CITY OF FALLON
	2	09-23-08	REV.	PER CITY OF FALLON

**ENGINEERS AUTHENTICATION**  
The responsibility for professional engineering liability on this project is hereby limited to the set of plans authenticated by the seal, signature, and date hereunder attached. Responsibility is disclaimed for all other engineering plans involved in this project and specifically excludes revisions after this date unless reauthenticated.



DRAWN	DATE
ABK	07-15-02
CHECKED	DATE
DWD	07-15-02

PROJECT # 02041.SUP0.01R  
TASK # 2 FIELD BOOK

WHITEGATE VILLAS  
CONSTRUCTION DETAILS

SHEET 18 OF 22

© Copyright 2002 by Pickett, Ray & Silver Inc.