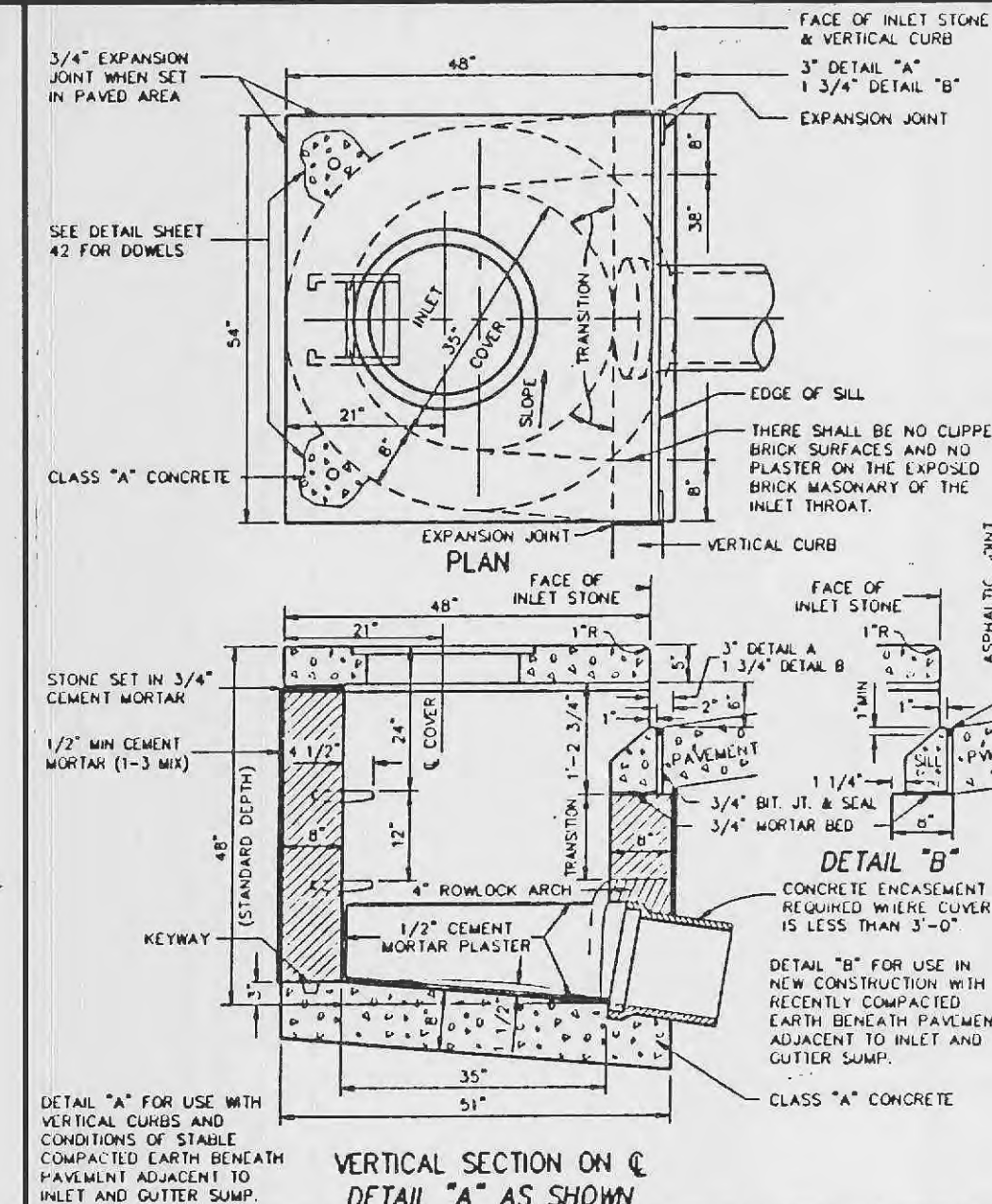
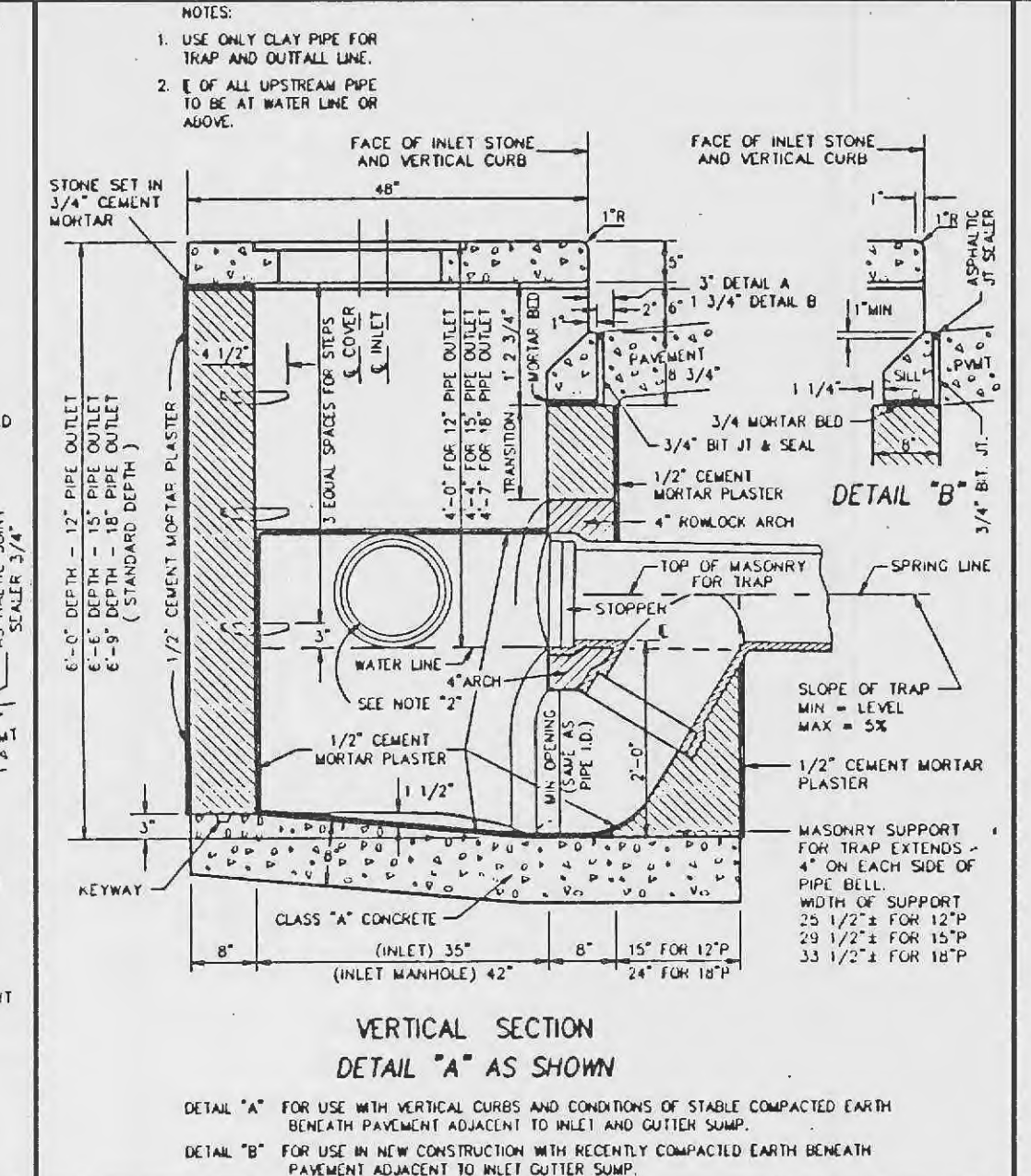


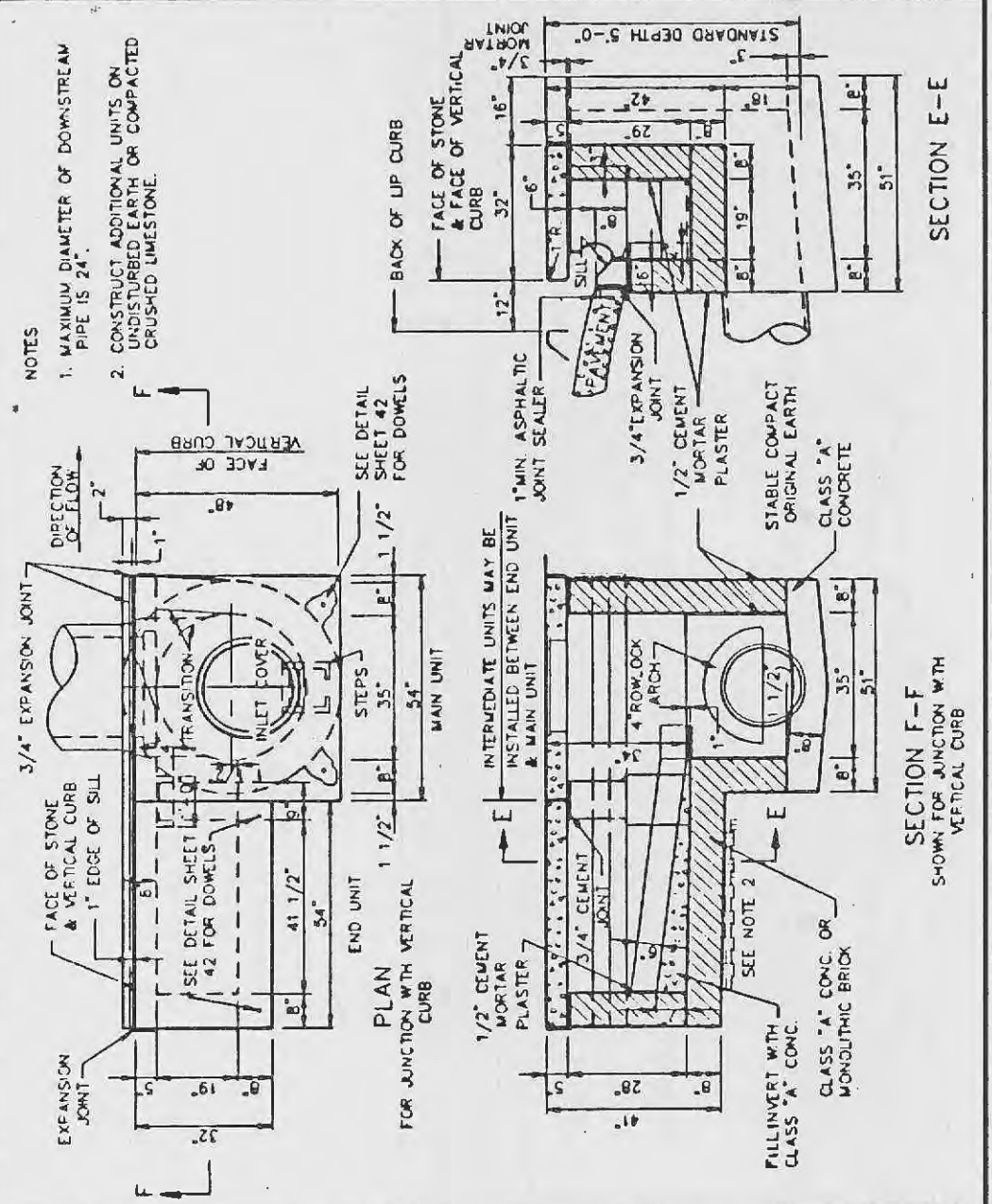
TYPICAL PRE-CAST MH. TEE FOR REINFORCED CONCRETE PIPE SEWERS 48\"/>



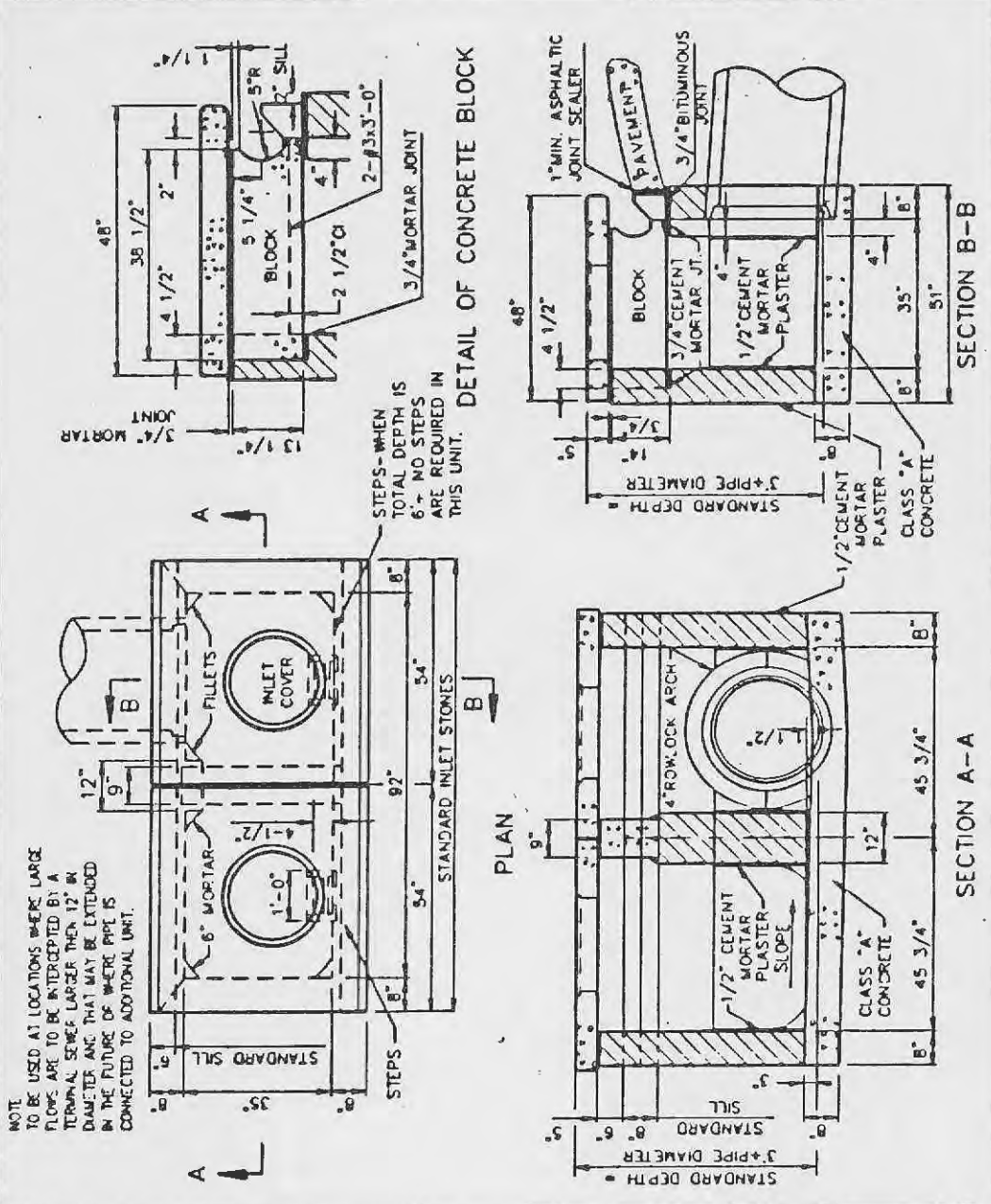
UNTRAPPED STREET INLET BRICK CONSTRUCTION
METROPOLITAN ST. LOUIS SEWER DISTRICT Standard Details of Sewer Construction
 Dr. W.S.H. Ch. J.C.K. 1992 SHEET 19



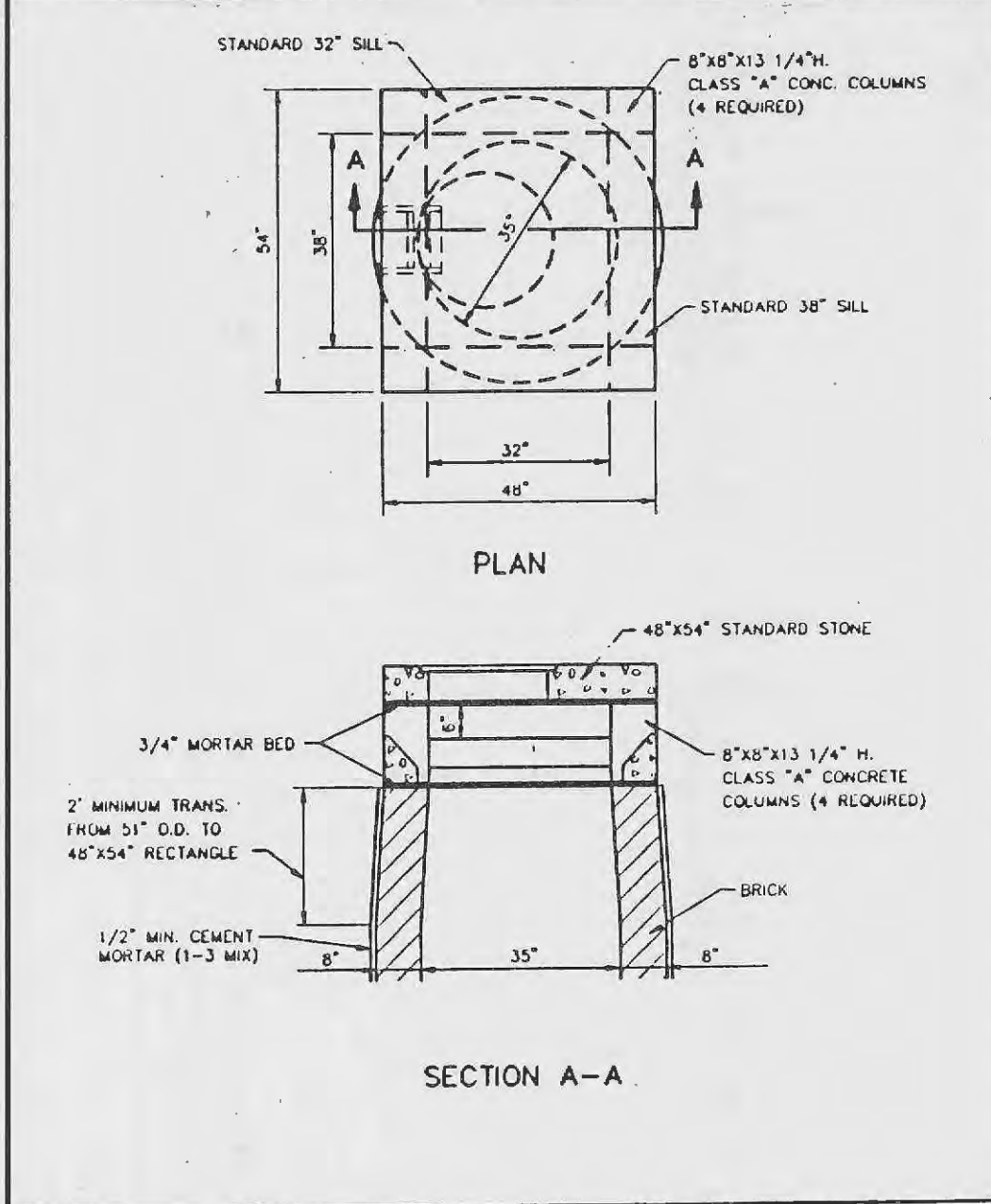
TRAPPED STREET INLET BRICK CONSTRUCTION
METROPOLITAN ST. LOUIS SEWER DISTRICT Standard Details of Sewer Construction
 Dr. W.S.H. Ch. J.C.K. 1992 SHEET 20



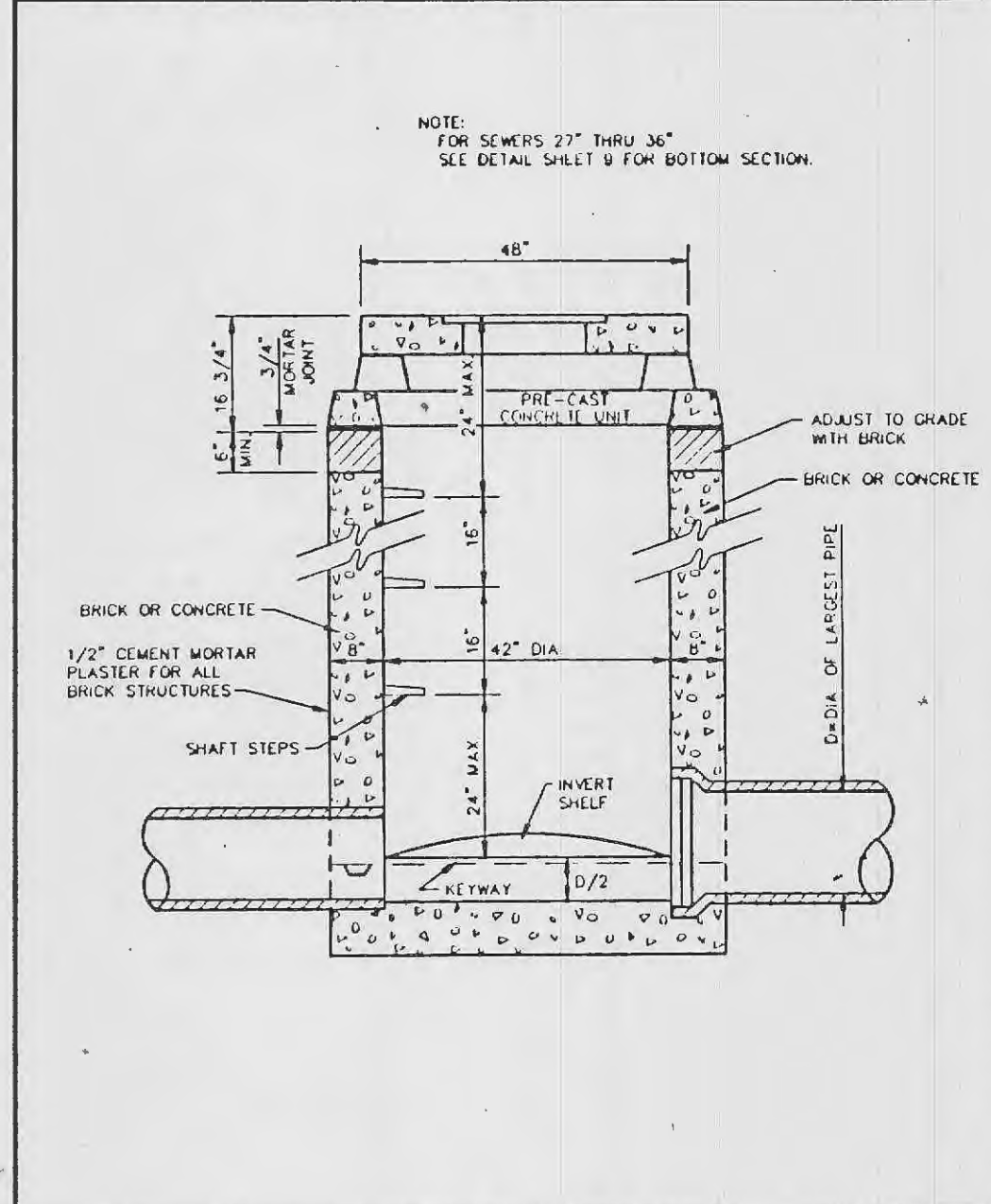
MULTIPLE STREET INLET BRICK CONSTRUCTION
METROPOLITAN ST. LOUIS SEWER DISTRICT Standard Details of Sewer Construction
 Dr. D.A.B. Ch. J.C.K. 1992 SHEET 21



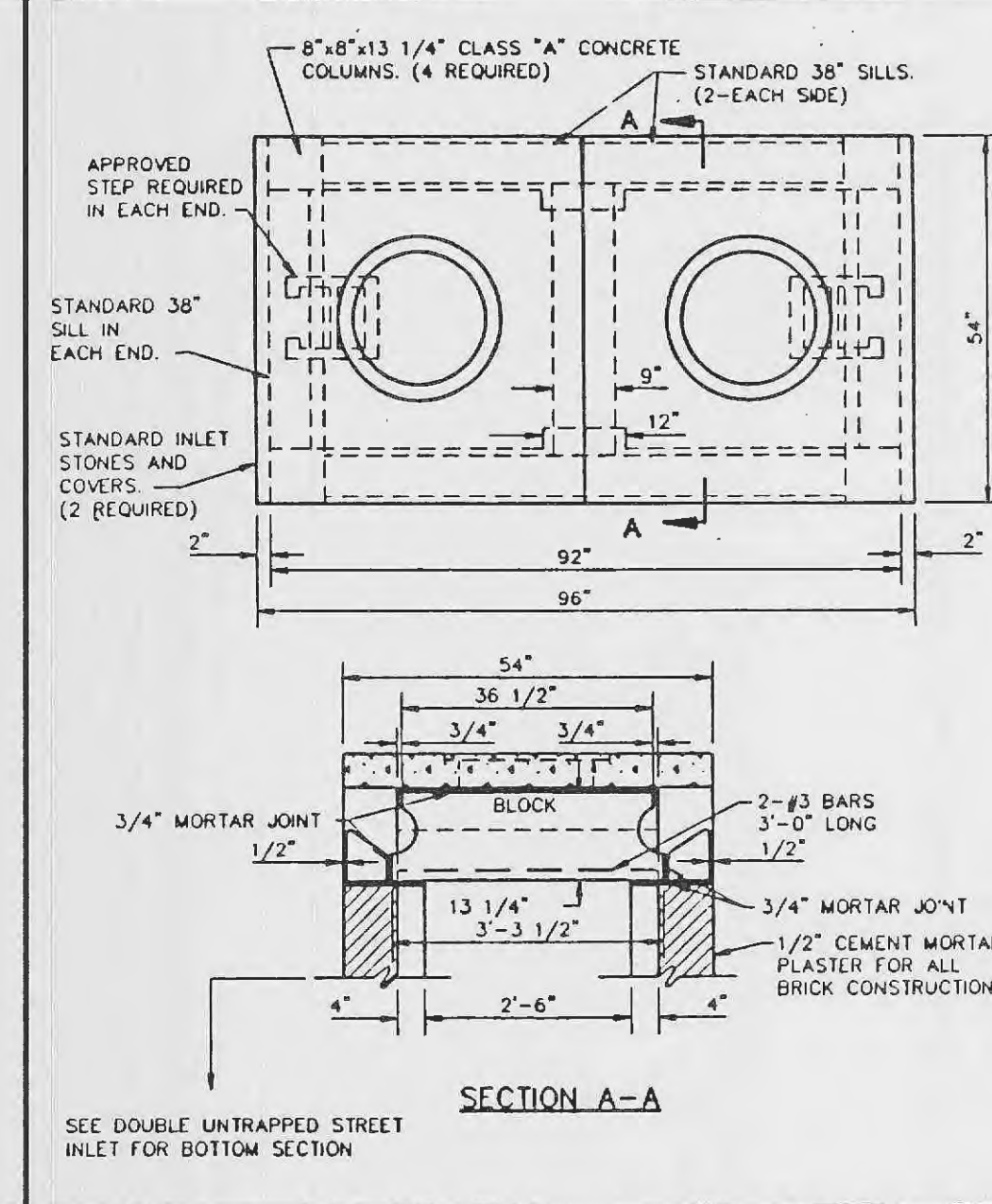
DOUBLE UNTRAPPED STREET INLET BRICK CONSTRUCTION
METROPOLITAN ST. LOUIS SEWER DISTRICT Standard Details of Sewer Construction
 Dr. D.A.B. Ch. J.C.K. 1992 SHEET 22



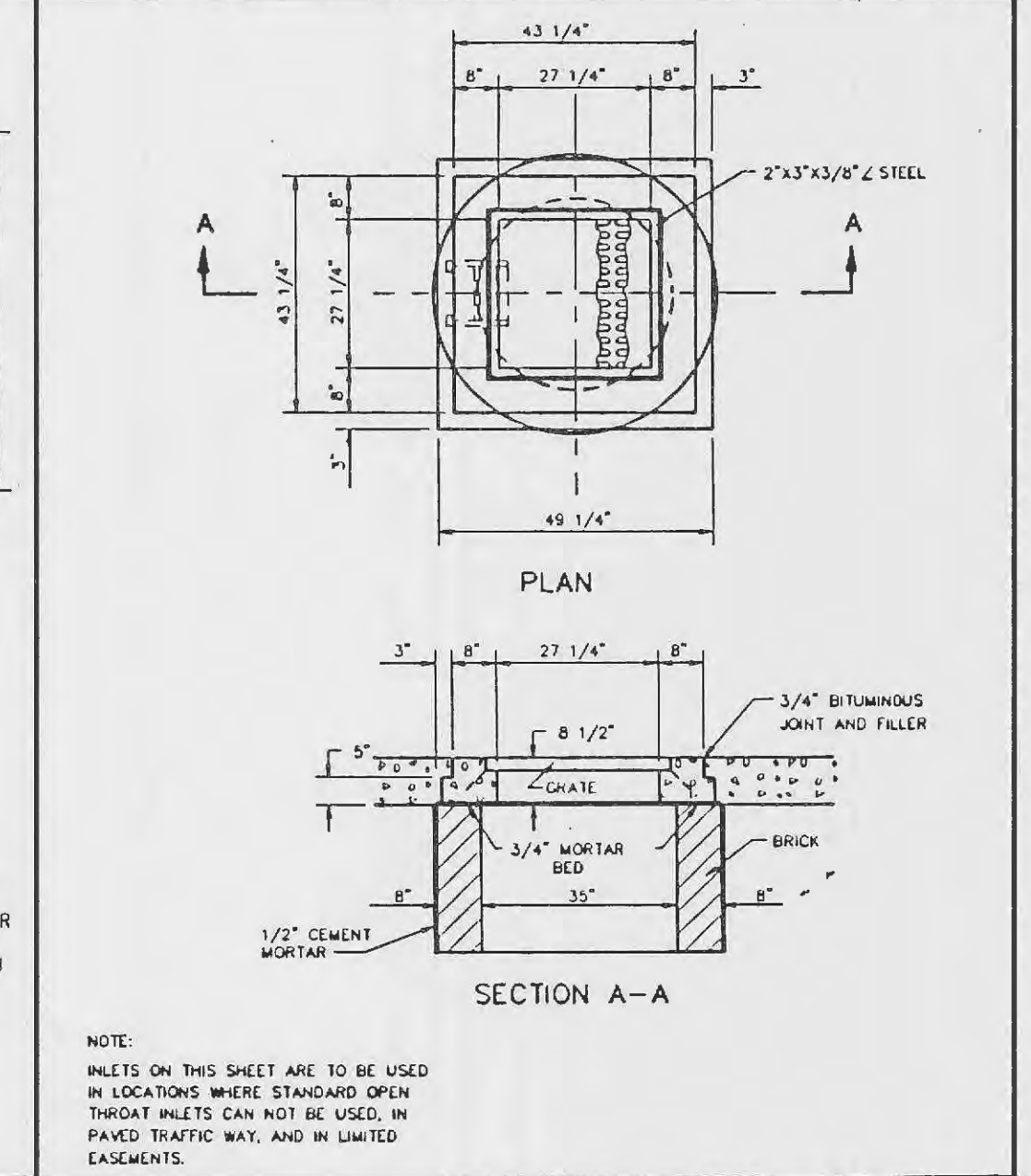
AREA INLET OPEN 4 SIDES BRICK CONSTRUCTION
METROPOLITAN ST. LOUIS SEWER DISTRICT Standard Details of Sewer Construction
 Dr. R.G.W. Ch. J.C.K. 1992 SHEET 23



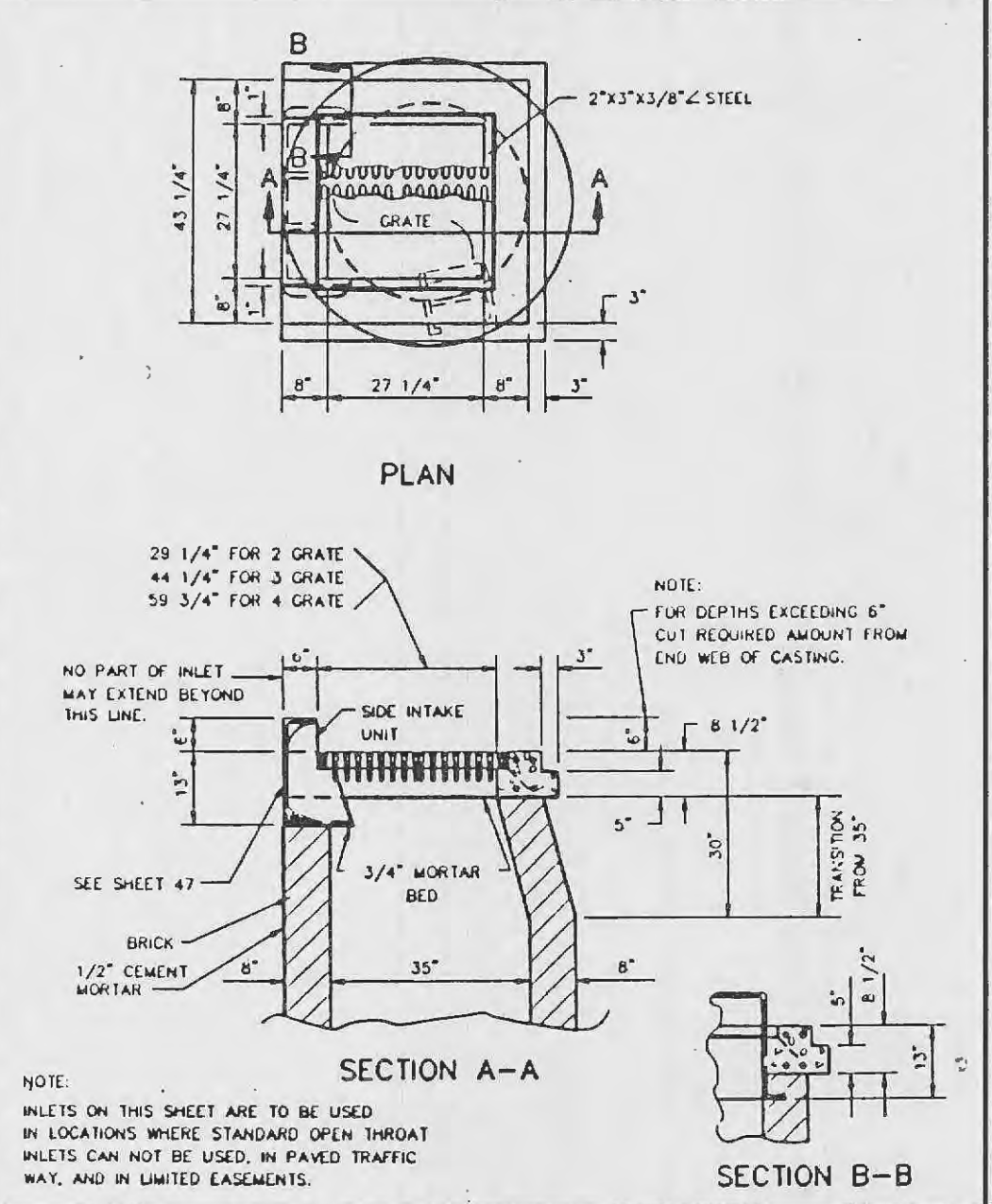
AREA INLET MANHOLE (12\"/>



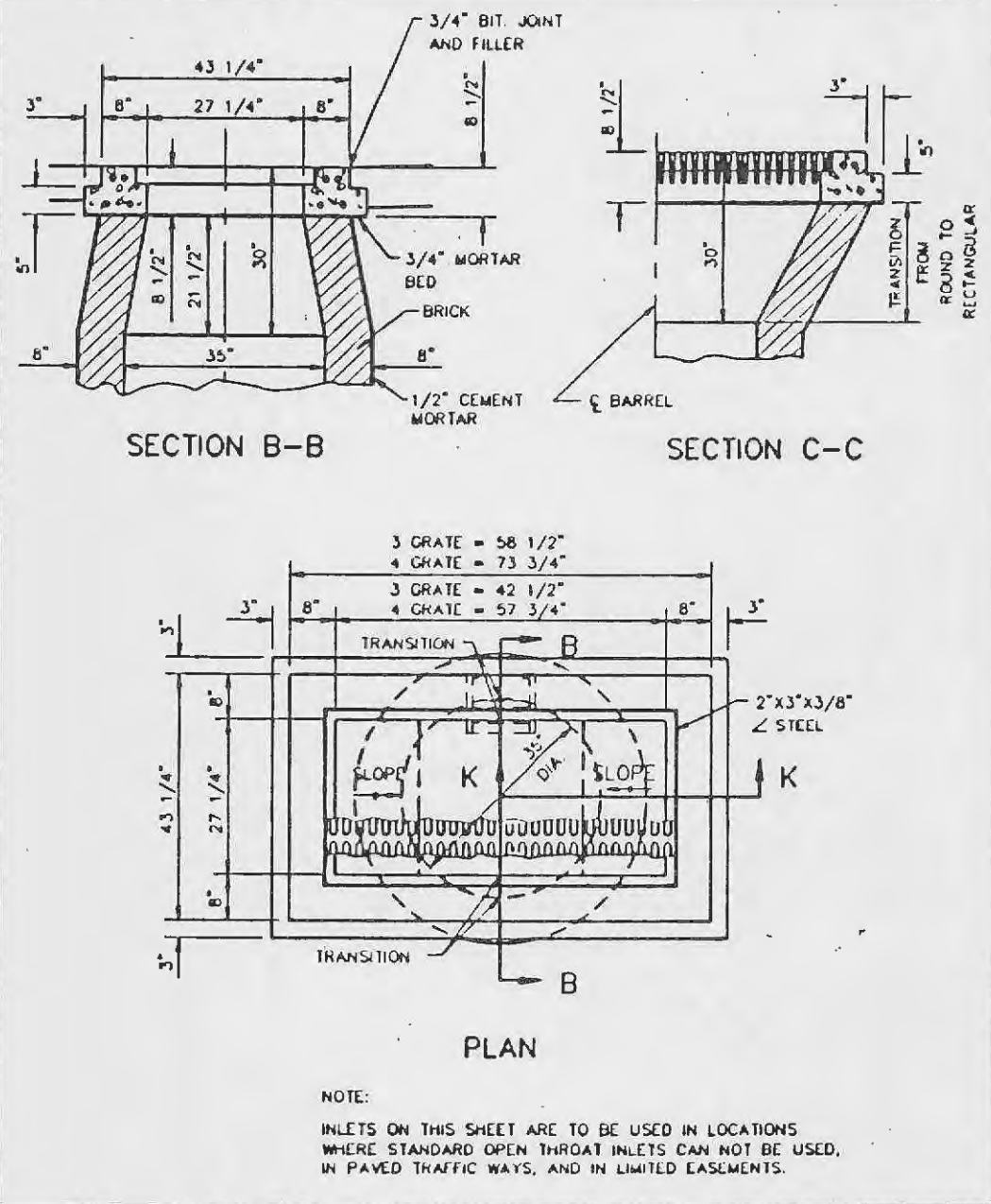
DOUBLE AREA INLET OPEN 4 SIDES BRICK CONSTRUCTION
METROPOLITAN ST. LOUIS SEWER DISTRICT Standard Details of Sewer Construction
 Dr. R.G.W. Ch. J.C.K. 1992 SHEET 24



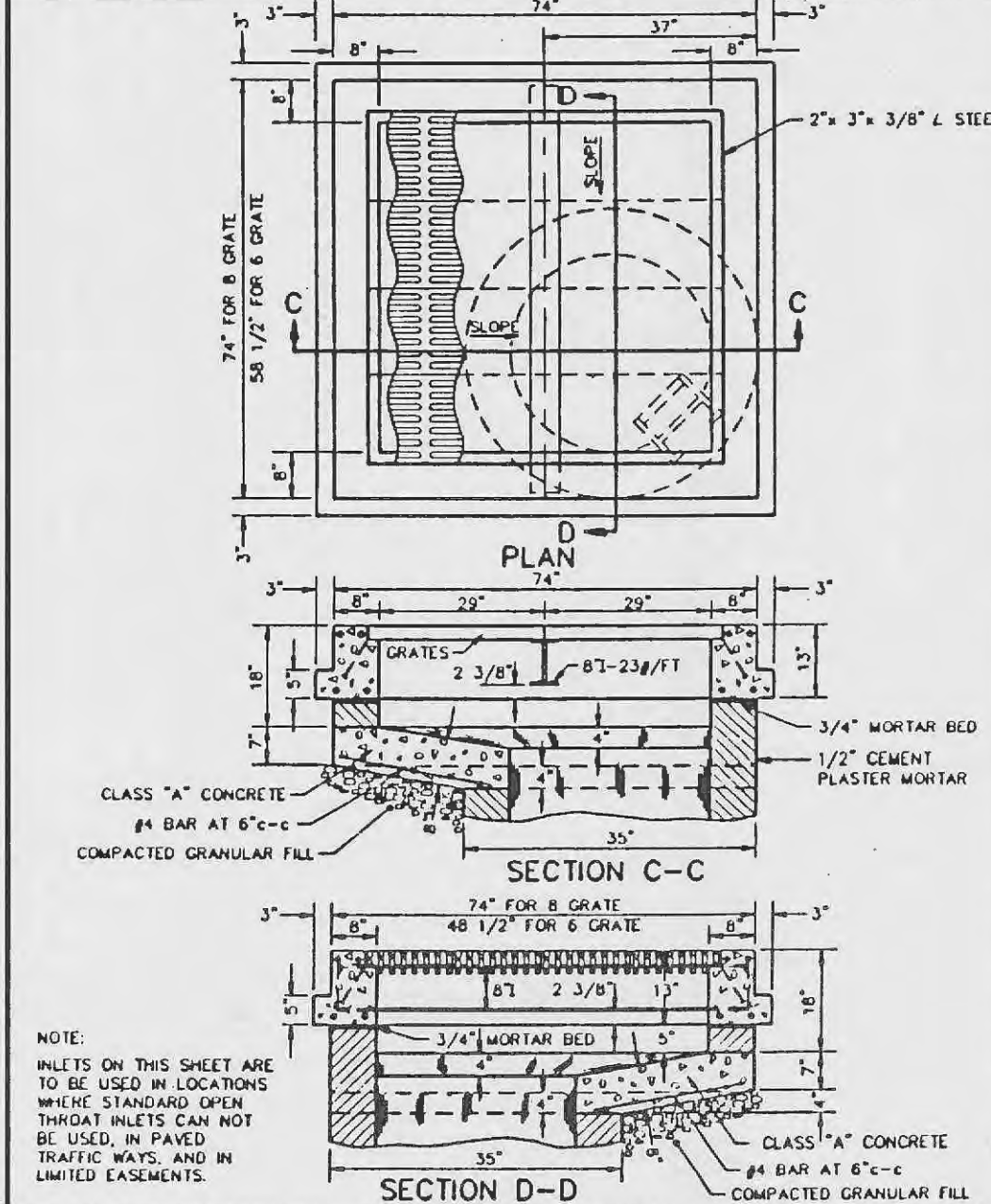
2 GRATE INLET WITH SIDE INTAKE BRICK CONSTRUCTION
METROPOLITAN ST. LOUIS SEWER DISTRICT Standard Details of Sewer Construction
 Dr. R.G.W. Ch. J.C.K. 1992 SHEET 25



3 & 4 GRATE INLET BRICK CONSTRUCTION
METROPOLITAN ST. LOUIS SEWER DISTRICT Standard Details of Sewer Construction
 Dr. R.G.W. Ch. J.C.K. 1992 SHEET 26



6 & 8 GRATE INLET BRICK CONSTRUCTION
METROPOLITAN ST. LOUIS SEWER DISTRICT Standard Details of Sewer Construction
 Dr. W.S.H. Ch. J.C.K. 1992 SHEET 27



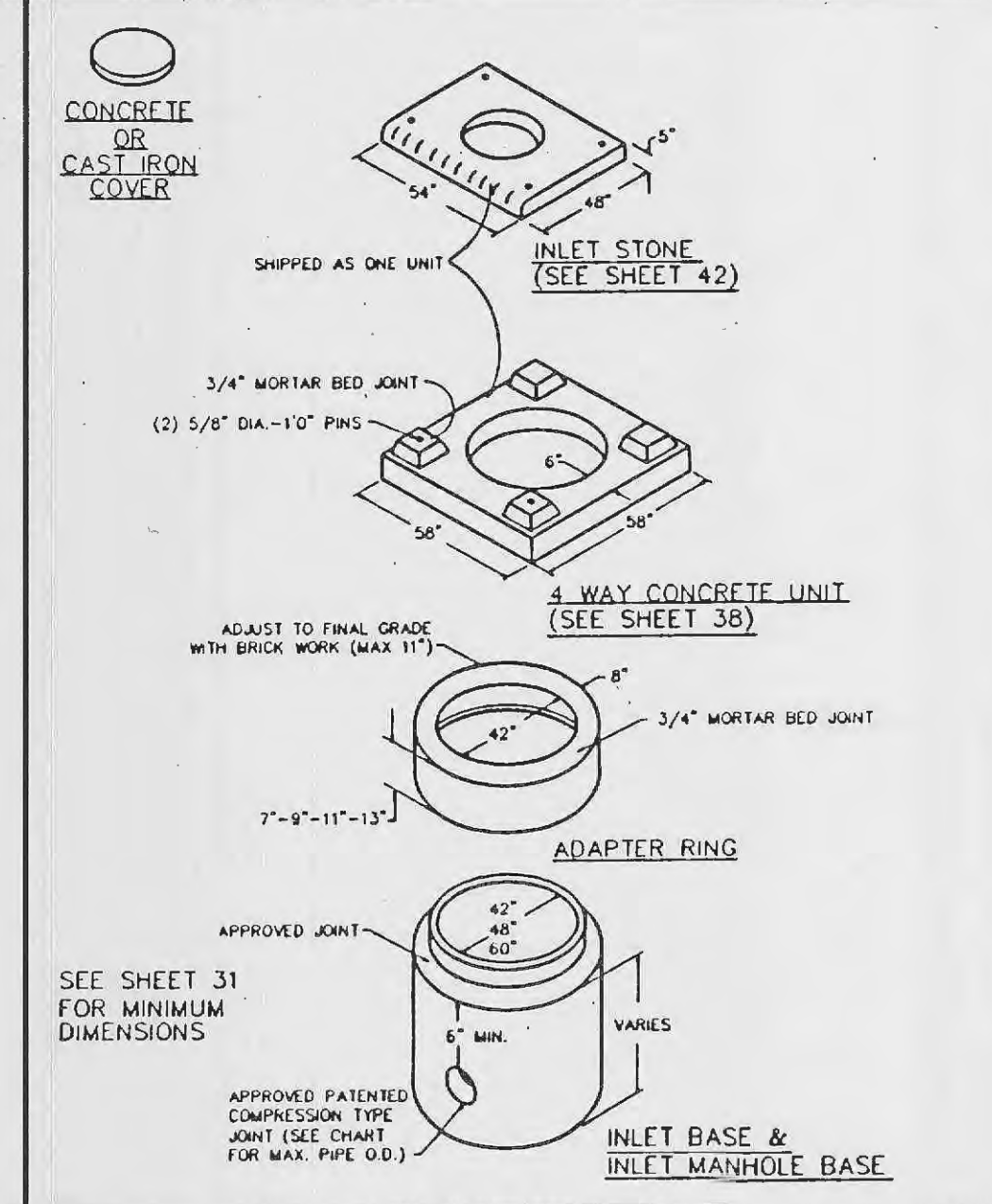
6 & 8 GRATE INLET BRICK CONSTRUCTION
METROPOLITAN ST. LOUIS SEWER DISTRICT Standard Details of Sewer Construction
 Dr. W.S.H. Ch. J.C.K. 1992 SHEET 28

PRECAST CONCRETE STORMWATER STRUCTURES

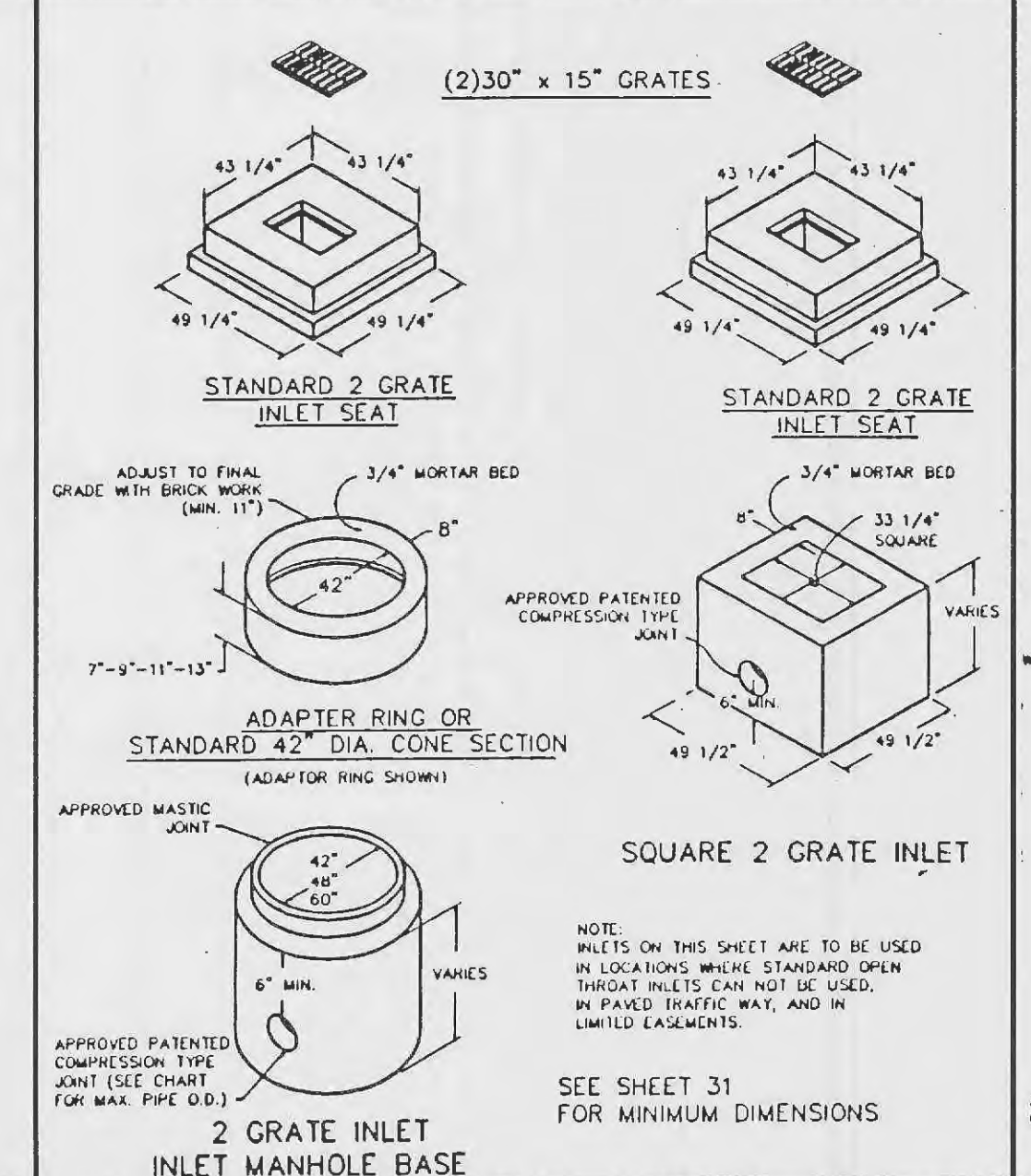
MINIMUM DISTANCE FLOWLINE TO TOP OF STONE OR GRATE

PIPE ID NOMINAL INCHES	AREA INLET		2 GRATE INLET		SINGLE STREET INLET	
	CIRCULAR BASE DIA.	SQUARE CIRCULAR BASE DIA. (MAX.)	CIRCULAR BASE DIA.	SQUARE CIRCULAR BASE DIA. (MAX.)	CIRCULAR BASE DIA.	RECTANGLE BASE DIA. (MAX.)
12"	42"	48"	36"	42"	31"	41"
15"	48"	54"	42"	48"	37"	44"
18"	54"	60"	48"	54"	43"	51"
21"	60"	66"	54"	60"	49"	57"
24"	66"	72"	60"	66"	55"	63"
27"	72"	78"	66"	72"	61"	69"
30"	78"	84"	72"	78"	67"	75"
33"	84"	90"	78"	84"	73"	81"

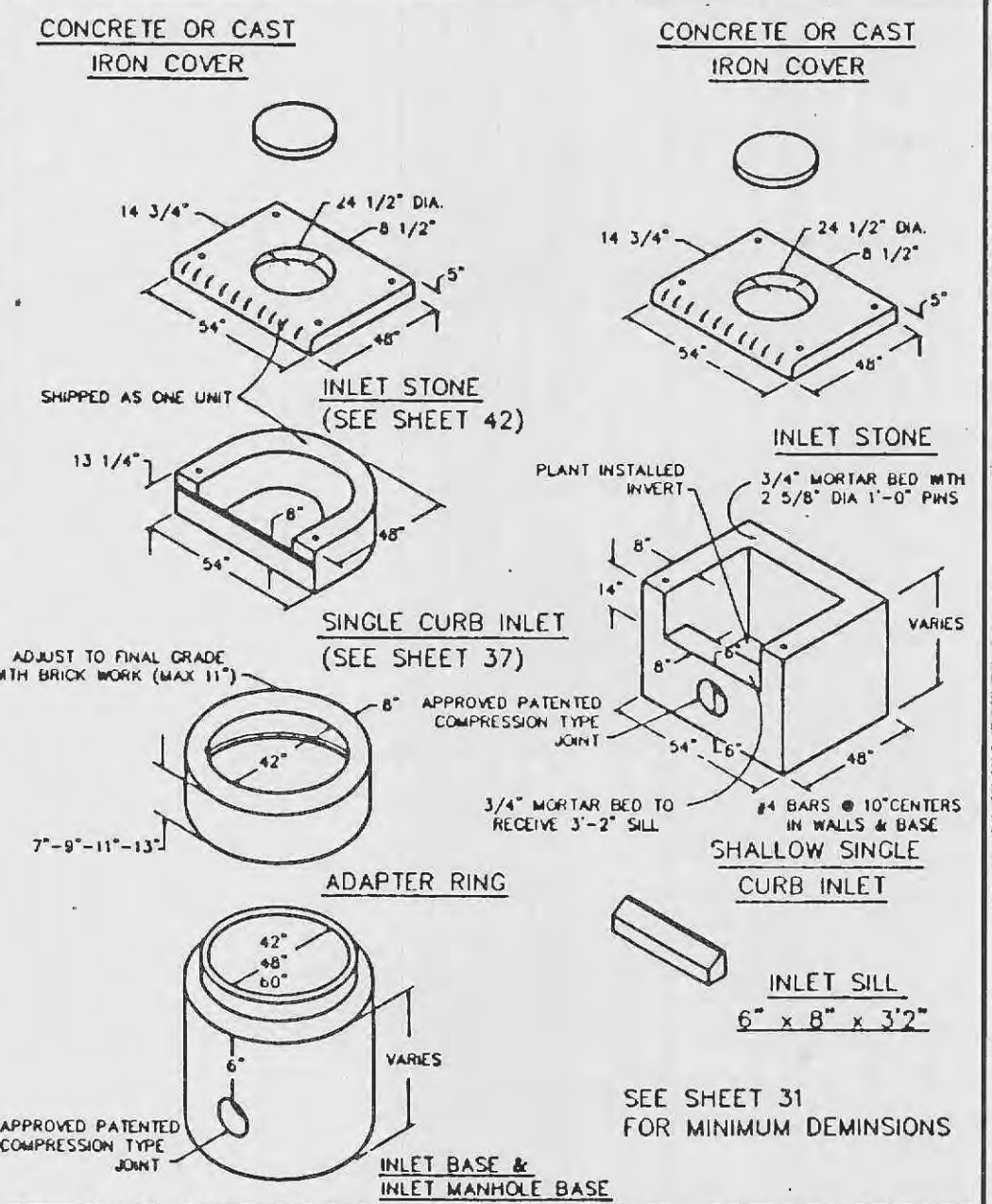
NOTE: 1. 48" DIA. BASE REQUIRES 7" HIGH TRANSITION SECTION TO 42" DIA. SIMILAR TO "ADAPTER RING" SHEET 32.
 2. 60" DIA. BASE REQUIRES 24" HIGH CONCENTRIC REDUCER TRANSITION TO 42" DIA. SIMILAR TO "ADAPTER RING" SHEET 32.



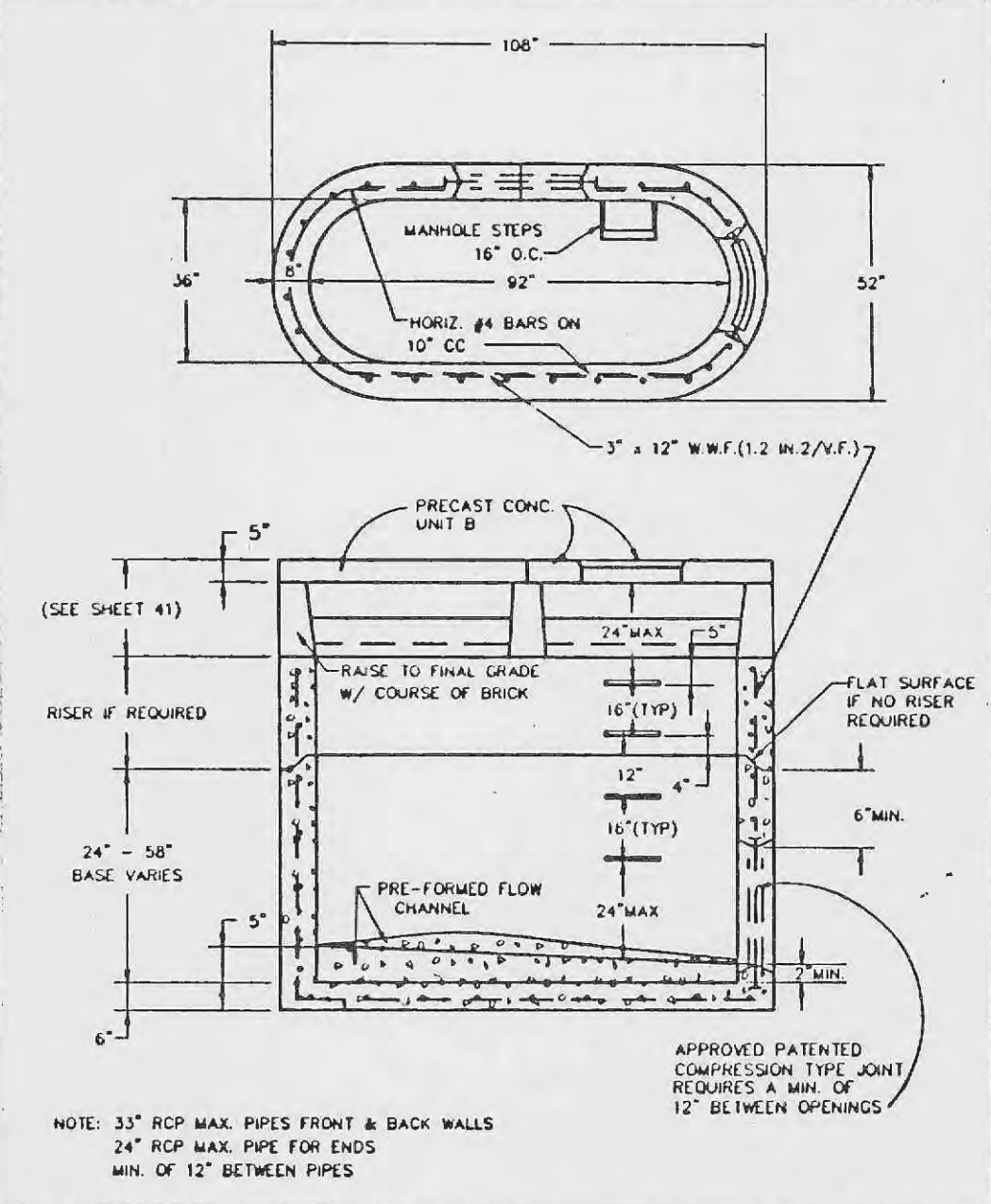
AREA INLET PRECAST CONCRETE
METROPOLITAN ST. LOUIS SEWER DISTRICT Standard Details of Sewer Construction
 Dr. J.L.G. Ch. J.C.K. APRIL 1992 SHEET 31



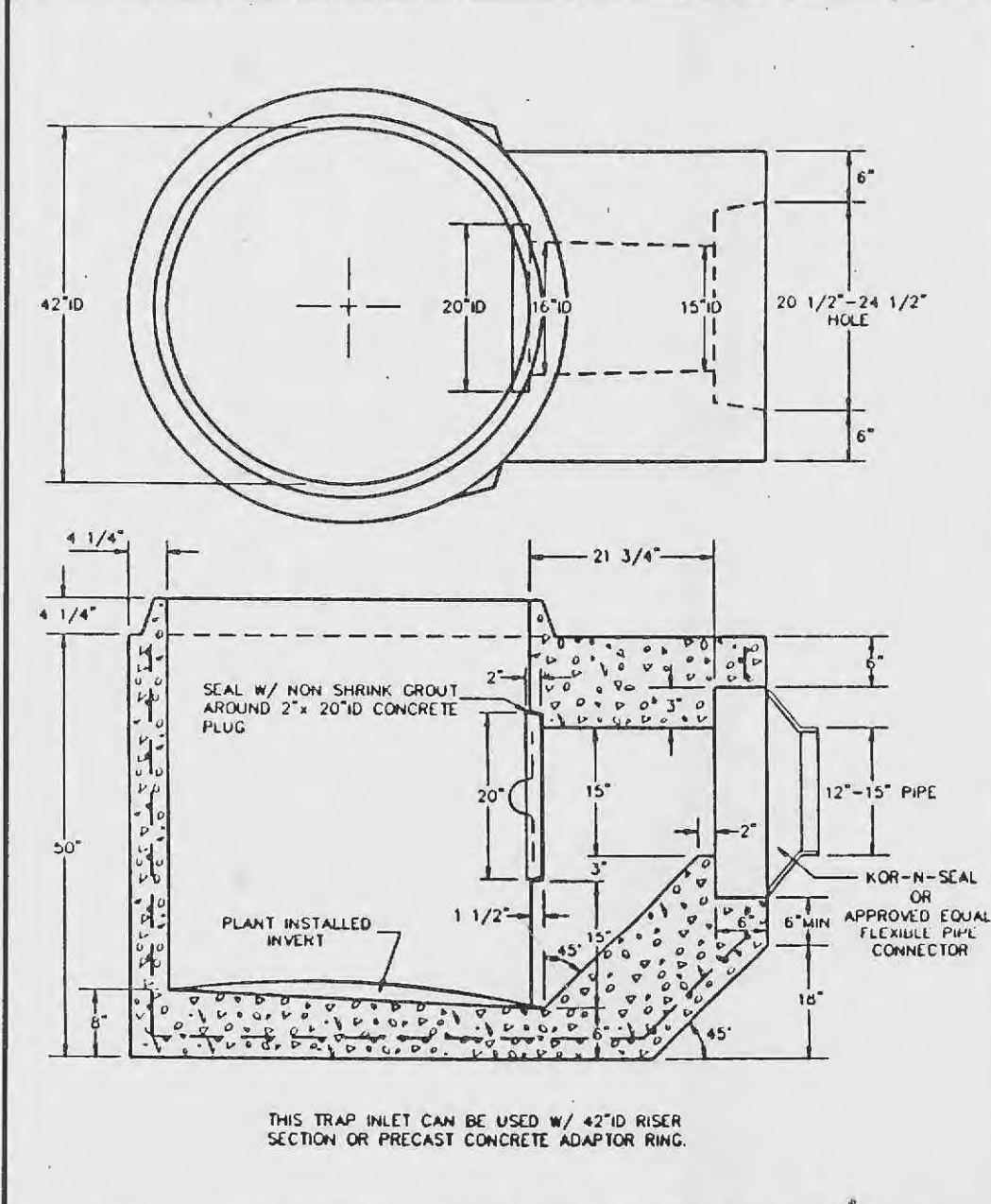
2 GRATE INLETS PRECAST CONCRETE
METROPOLITAN ST. LOUIS SEWER DISTRICT Standard Details of Sewer Construction
 Dr. J.L.G. Ch. J.C.K. APRIL 1992 SHEET 32



SINGLE STREET INLETS PRECAST CONCRETE
METROPOLITAN ST. LOUIS SEWER DISTRICT Standard Details of Sewer Construction
 Dr. J.L.G. Ch. J.C.K. APRIL 1991 SHEET 33



DOUBLE UNTRAPPED STREET INLET PRECAST CONCRETE
METROPOLITAN ST. LOUIS SEWER DISTRICT Standard Details of Sewer Construction
 Dr. J.L.G. Ch. J.C.K. SEPT. 1992 SHEET 34



TRAPPED STREET INLET BASE PRECAST CONCRETE
METROPOLITAN ST. LOUIS SEWER DISTRICT Standard Details of Sewer Construction
 Dr. W.S.H. Ch. J.C.K. 1992 SHEET 35