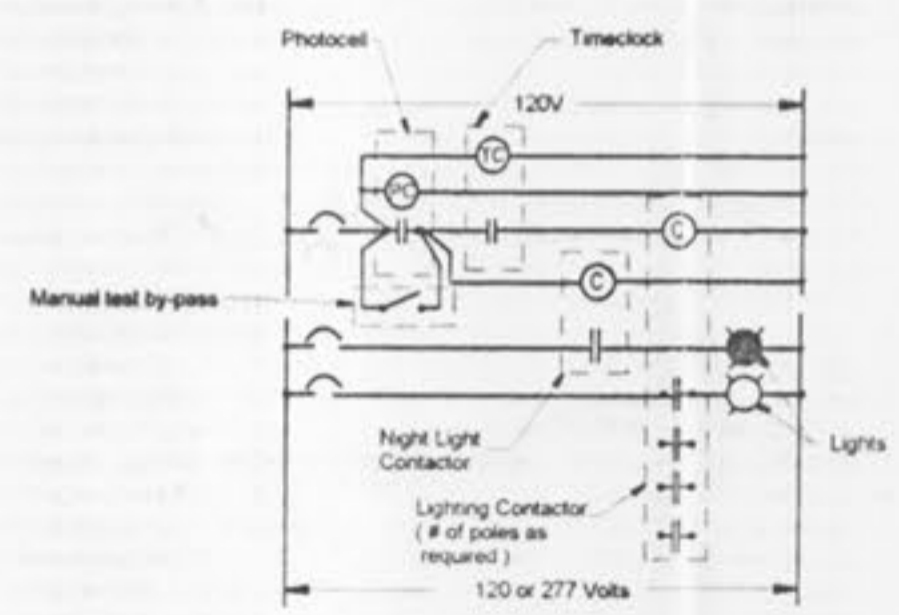
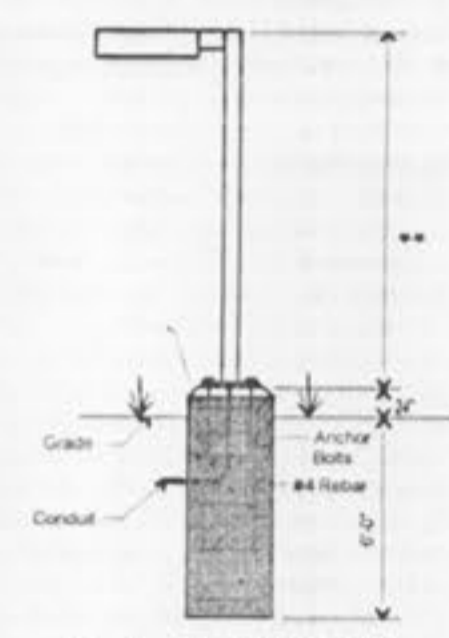


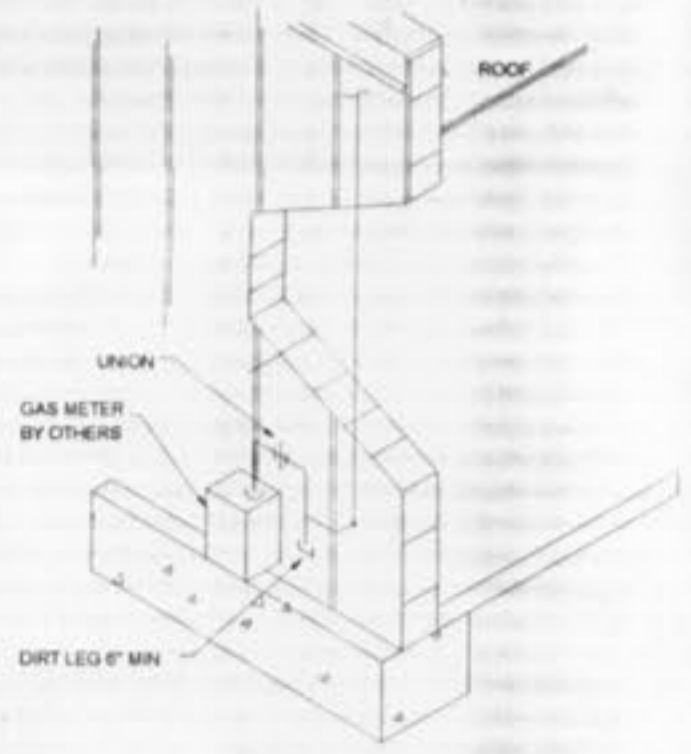
Site Plan



Light Control Diagram



Pole Light Detail



GAS PIPE CONNECTION AT METER
NO SCALE

THESE DRAWINGS ARE HEREBY APPROVED FOR PERMIT AND ANNOTATED AS NECESSARY TO MEET THE REQUIREMENTS OF THE CITY.

SHEETS: 11 OF 11
DATE OF: 04.05.08



BUDGOS-085

RECEIVED
APR 24 2008
BUILDING DEPARTMENT

Wm. Carron Design & Engineering, Inc.
2012 St. Andrews Dr.
St. Charles, MO 63301
PH: (636) 724-6870 Call (314) 568-1070
E-Mail: plm@wcdesign.com



Wholesale Batteries
Cool Springs Industrial Park
St. Charles, Missouri

This drawing was prepared for use on a specific site. It is not to be used on any other project without the written consent of the engineer. The engineer is not responsible for any errors or omissions in this drawing. The user of this drawing is advised to verify all dimensions and conditions before construction. The user of this drawing is advised to verify all dimensions and conditions before construction. The user of this drawing is advised to verify all dimensions and conditions before construction.

DATE	REVISION

Issue Date: 04/21/08
Job Number: 08-003
Drawn By: W.J.C.
Checked By: K.J.K.
Drawing Title: Site Plan

MEP1