

NORTH

SCALE IN FEET

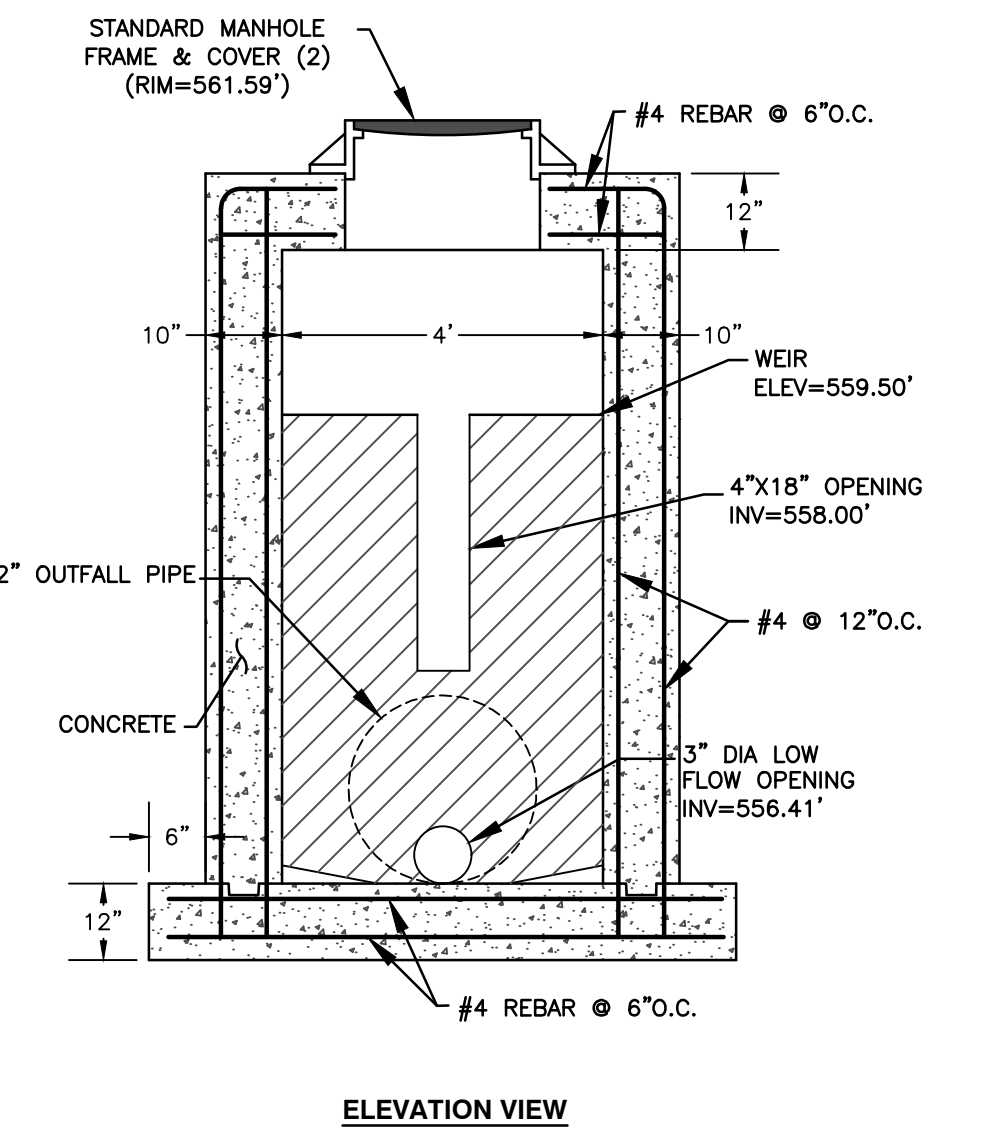
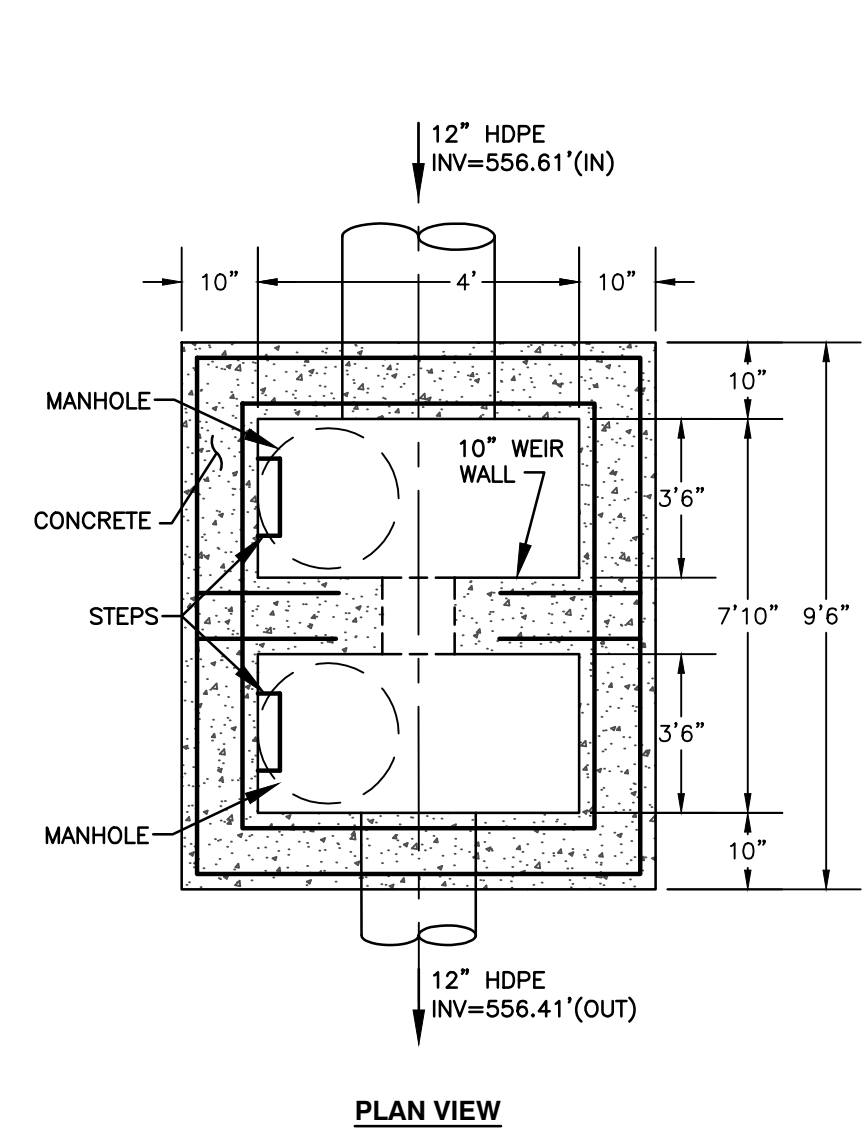
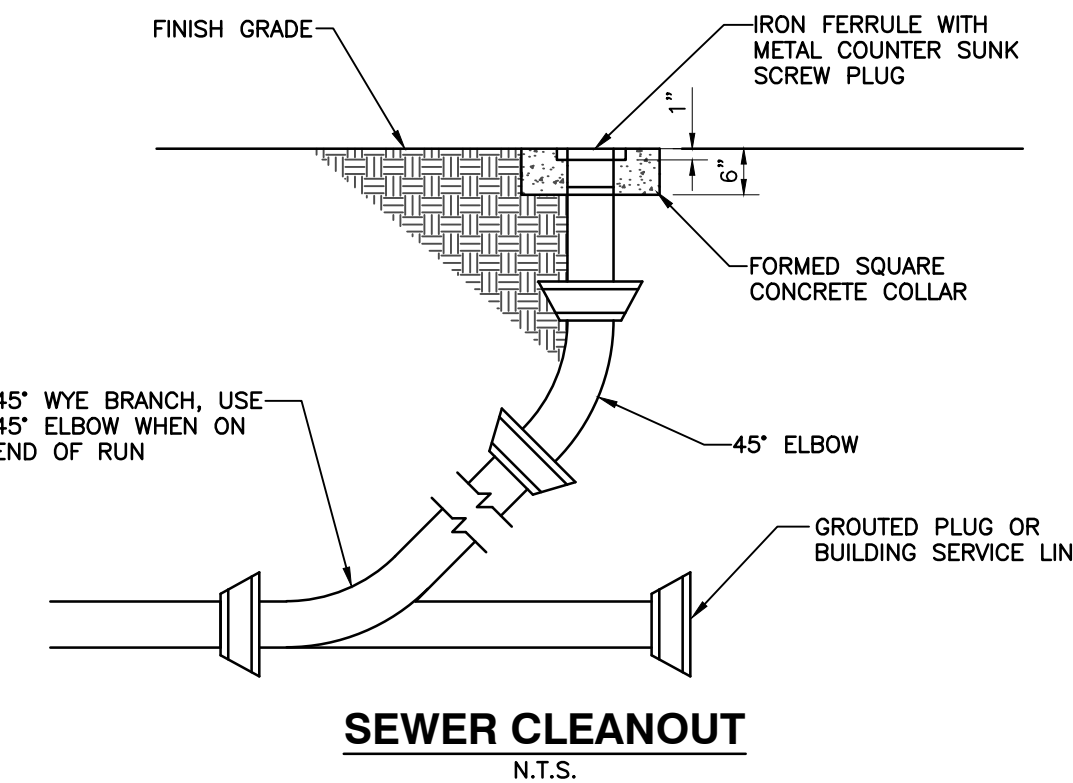


CATCH BASIN INSERTS (FLEXSTORM OR SIMILAR) HIGHLY RECOMMENDED IN EACH STORMWATER INLET

Downspout Capacity	
Diameter	6 inches
Manning's n-value	0.012
Min. Slope	2.0 %
Full Flow Capacity	0.86 cfs

PROPOSED STORM NETWORK - PROPOSED FLOWS (15YR/20MIN)														
Up Str. No.	Down Str. No.	Length (ft)	Defl. Angl (Deg)	Line Type	Size (in)	Slope (%)	n-value	InvertUp (ft)	InvertDn (ft)	Capacity (cfs)	FlowRate (cfs)	Max. Vel. (ft/s)	HGLUp (ft)	HGLDn (ft)
2	3	138	-147.0	Cir	12	0.8	0.013	558.25	557.15	3.18	0.54	0.69	559.61	559.58
4	3	83	90.9	Cir	12	0.5	0.013	557.56	557.15	2.5	1.59	2.02	559.75	559.58
OUT	X1	12	-8.8	Cir	12	0.5	0.013	556.41	556.35	2.52	1.47	3.33	556.96	556.9
X1	BEND	72	9.2	Cir	12	2.67	0.013	556.15	554.22	5.82	1.47	3.62	556.66	554.73
BEND	X2	96	119.9	Cir	12	2.19	0.013	554.22	552.12	5.27	1.47	3.62	554.73	553.12

Notes Calculations From Hydroflow Storm Sewers Software



- NOTES:
1. PROVIDE 1.5" COVER FROM FORMED OR FINISHED SURFACES TO REBAR.
 2. PROVIDE 3" COVER FROM UNFORMED SURFACES TO REBAR.
 3. ALL CONCRETE SHALL HAVE A MINIMUM OF 4,000 PSI STRENGTH.
 4. MUST CONFORM TO LATEST ASTM C478.
 5. COMPOUND WEIR MAY BE INSTALLED INSIDE A PRECAST STRUCTURE

OUTFALL STRUCTURE DETAIL N.T.S.

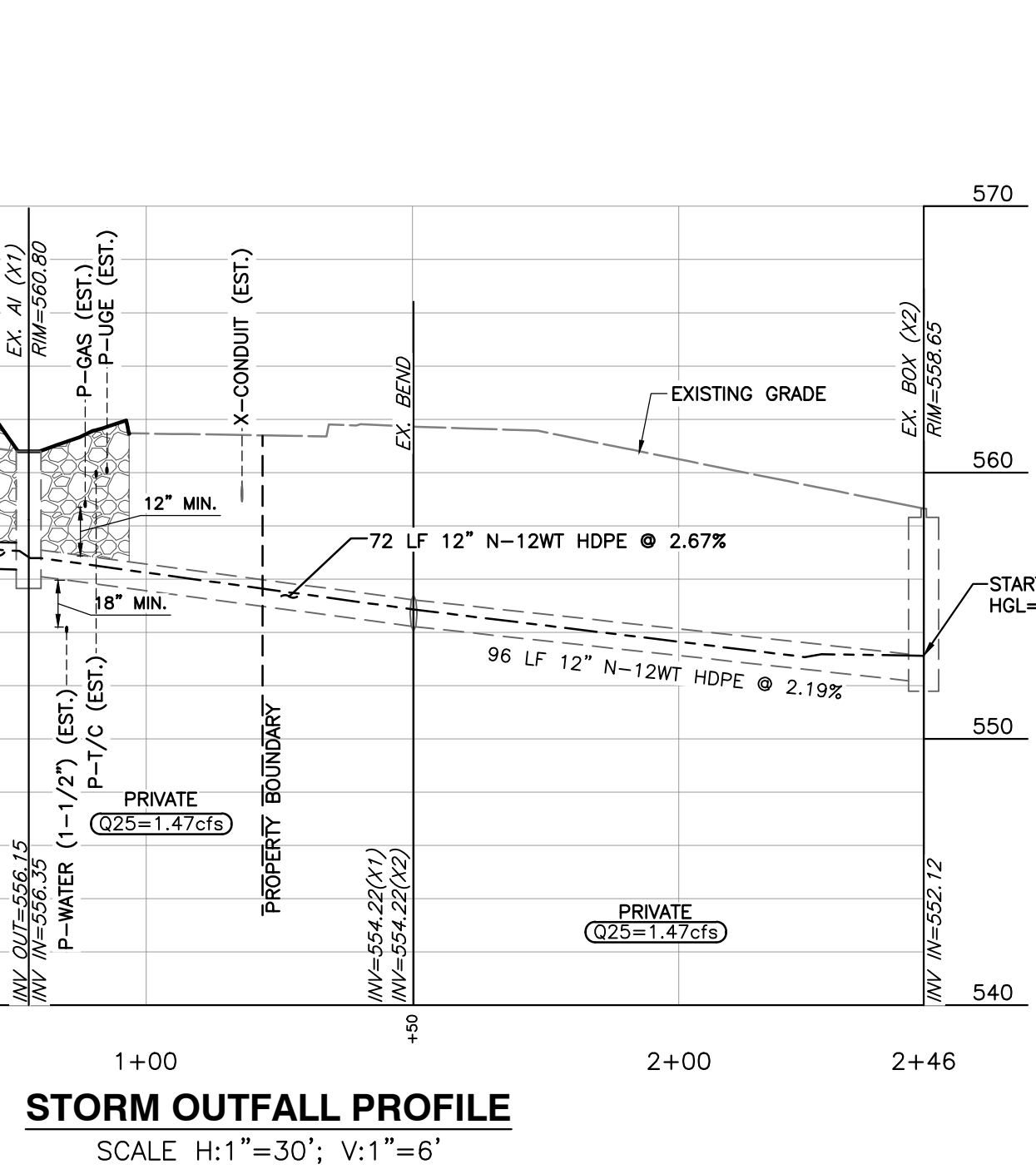
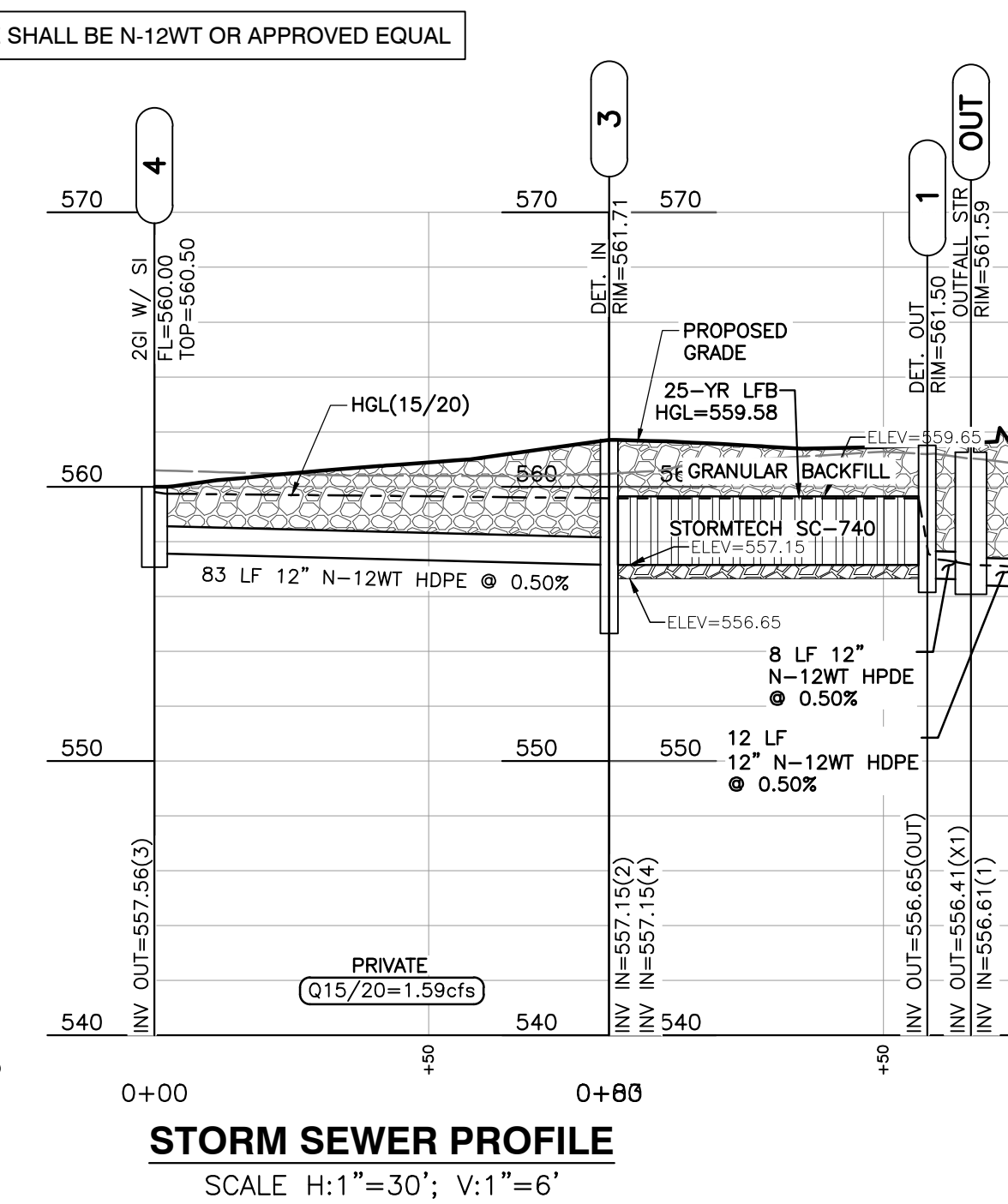
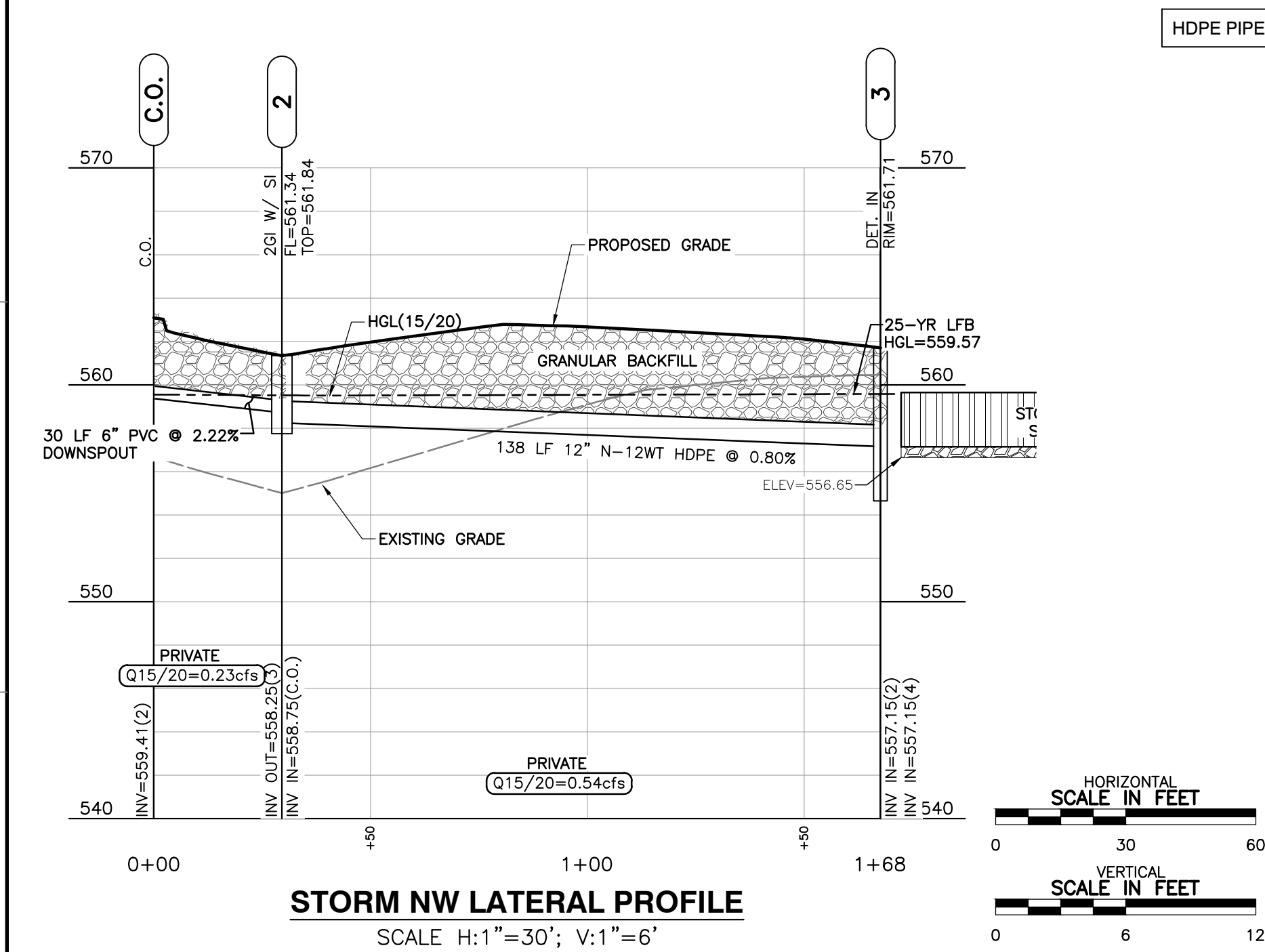
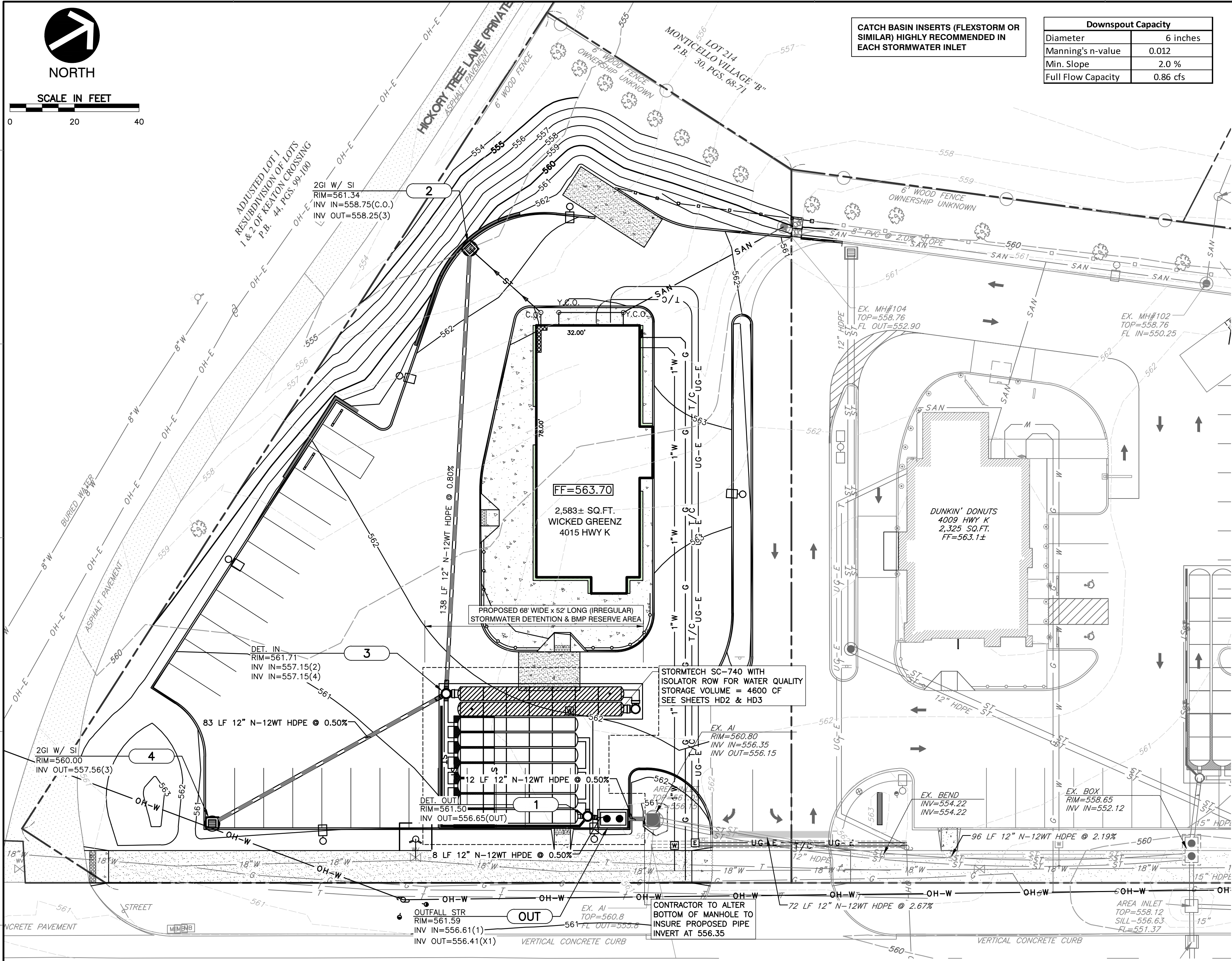
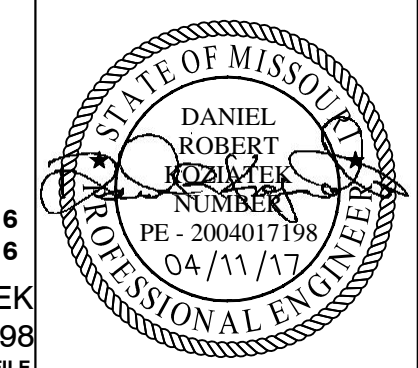
- NOTES:
1. SEE SHEET C001 FOR GENERAL NOTES
 2. CONTRACTOR SHALL REFER TO OTHER PLANS WITHIN THIS CONSTRUCTION SET FOR OTHER PERTINENT INFORMATION. IT IS NOT THE ENGINEER'S INTENT THAT ANY SINGLE PLAN SHEET IN THIS SET OF DOCUMENTS FULLY DEPICT ALL WORK ASSOCIATED WITH THIS PROJECT.

NOTE TO CONTRACTOR: PRIOR TO ANY EXCAVATION FOR UNDERGROUND UTILITIES, CONTRACTOR SHALL EXPOSE AND VERIFY LOCATIONS (HORIZONTAL AND VERTICAL) OF ALL EXISTING UTILITIES INCLUDING BUT NOT LIMITED TO GAS, WATER, BROADBAND, PHONE, SANITARY AND STORM SEWERS. ANY CONFLICT SHALL BE REPORTED IMMEDIATELY TO THE ENGINEER AND APPROPRIATE AUTHORITIES



CALL BEFORE YOU DIG!
1-800-DIG-RITE
MARCH 14, 2015
ISSUED TICKET#: 150730244

P&Z CUP#25.16
OCT. 31, 2016
DANIEL KOZIATEK
2004017198
*HAND SIGNATURE ON FILE



SUBMITTAL RECORD

NO.	DATE	DESCRIPTION
1	12/06/15	INITIAL IMPROVEMENT PLAN SUBMITTED TO CITY, CDDO, COTTEVILLE FIRE AND UTILITIES
2	03/07/17	REVISIONAL TO CITY OF EVALUATION
3	04/11/17	FINAL SUBMITTAL TO CITY, COTTEVILLE FIRE AND UTILITIES FOR APPROVAL
4		
5		
6		
7		
8		

Civil & Environmental Consultants, Inc.
CERTIFICATION/LICENSE NO. 2002013942
4848 Park 370 Blvd., Suite F - Hazelwood, MO 63042
314-656-4566 • 866-250-3679
www.cecinc.com

QUICK SERVE PROPERTIES, LLC
7201 OLIVE BLVD.
UNIVERSITY CITY, MO 63130

WICKED GREENZ
4015 HIGHWAY K
OFALLON, MISSOURI 63368
STORM PLAN & PROFILES

DATE: SEPT. 2016 DRAWN BY: MRV
DVS SCALE: DRK
PROJECT NO.: AS NOTED CHECKED BY: 162-880
APPROVED BY: DRK*

DRAWING NO.: **C400**
SHEET 06 OF 14