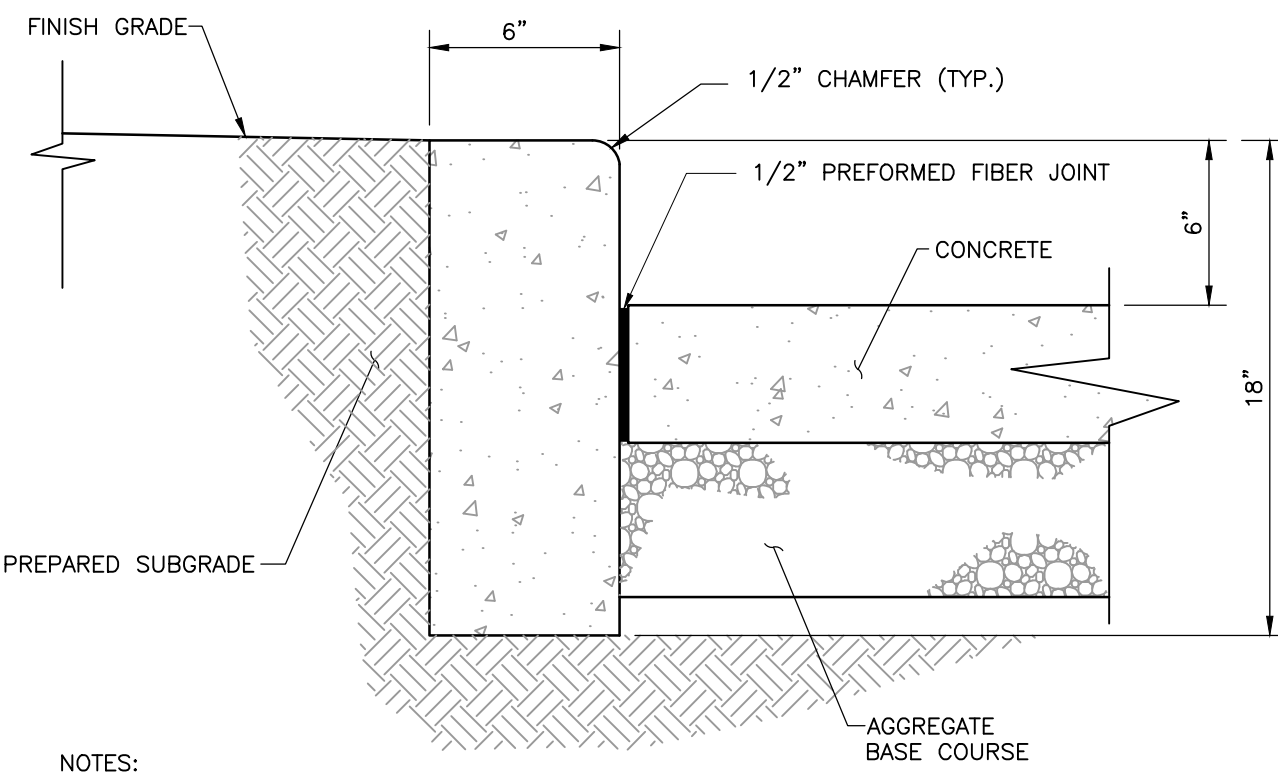
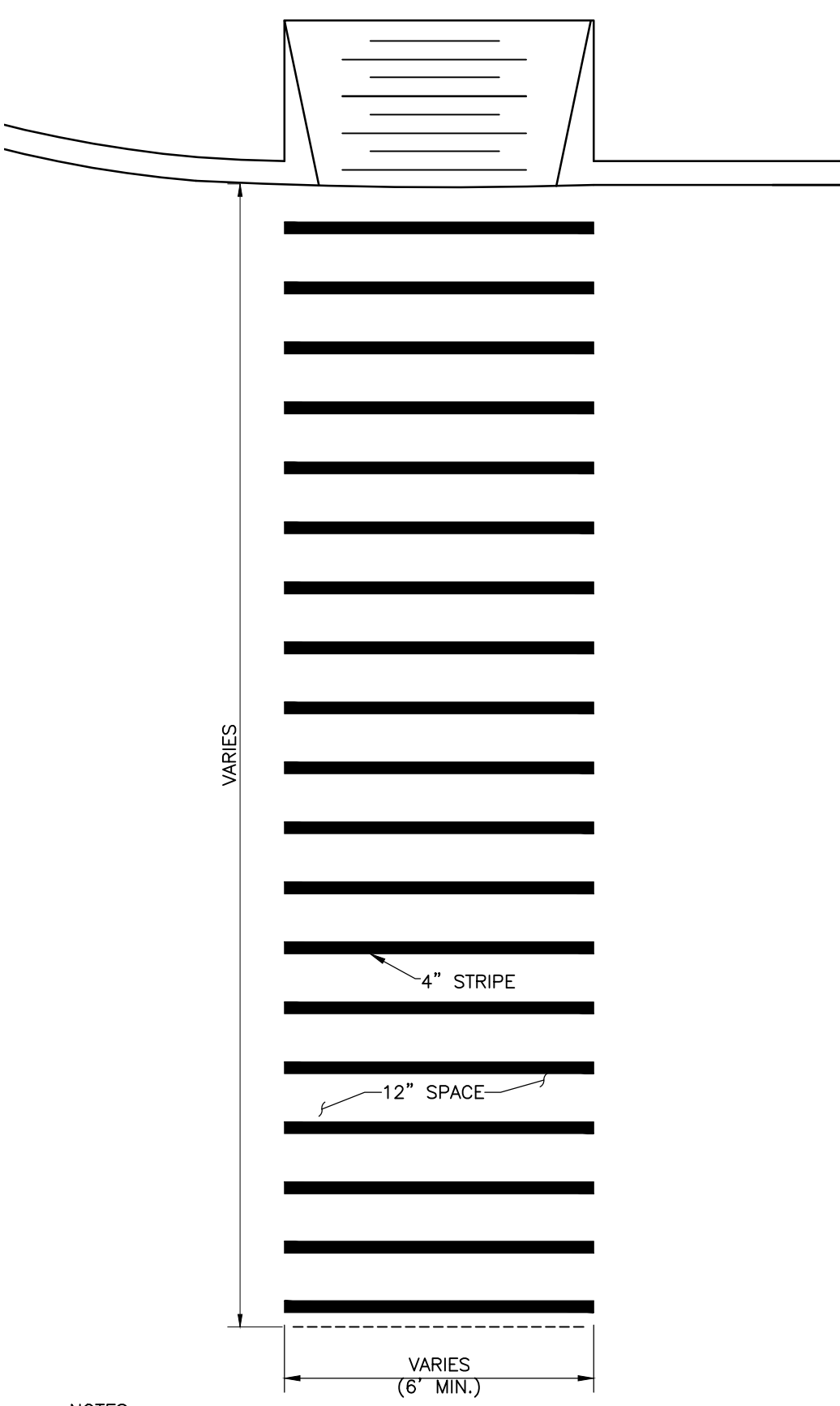


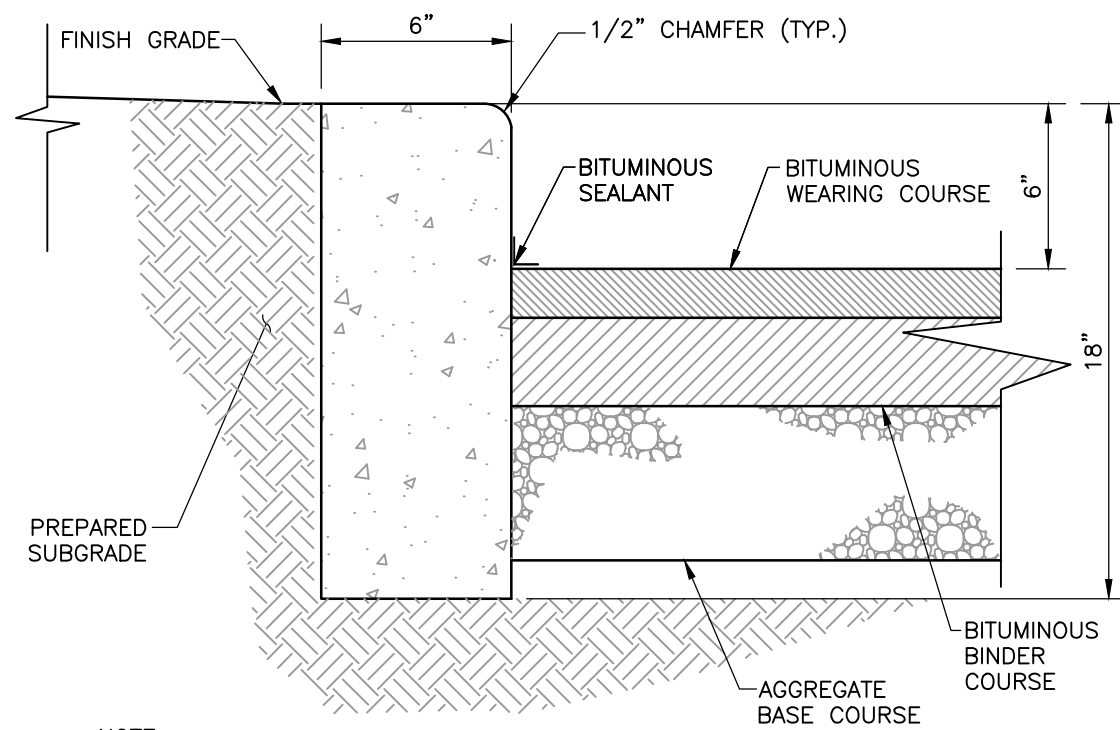
**PRODUCT INFO:**  
**PRODUCT NAME:** APEX BIKE RACK  
**WEB PAGE:** www.sitescapesonline.com  
**MANUFACTURER:** SITE SCAPES  
**LOCAL DISTRIBUTOR:** (AS ABOVE)  
 P.O. BOX 22326  
 LINCOLN, NE 68542  
**PRODUCT #** EC2-05-EM

**01 INVERTED U BIKE RACK**  
 N.T.S.  
 C800



**NOTES:**  
 1. SEE CONCRETE SECTION DETAILS FOR PAVEMENT TYPICALS.  
 2. ALL SITE CURBING TO BE 6" VERTICAL.

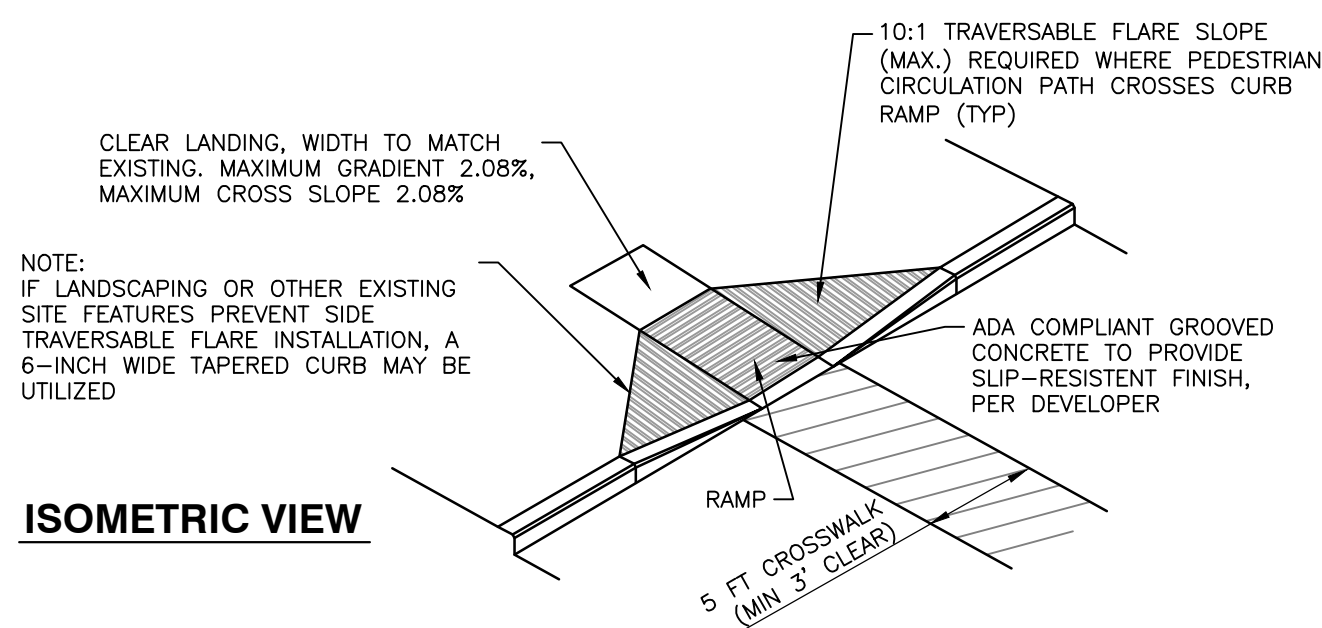
**CONCRETE PAVEMENT**  
 N.T.S.



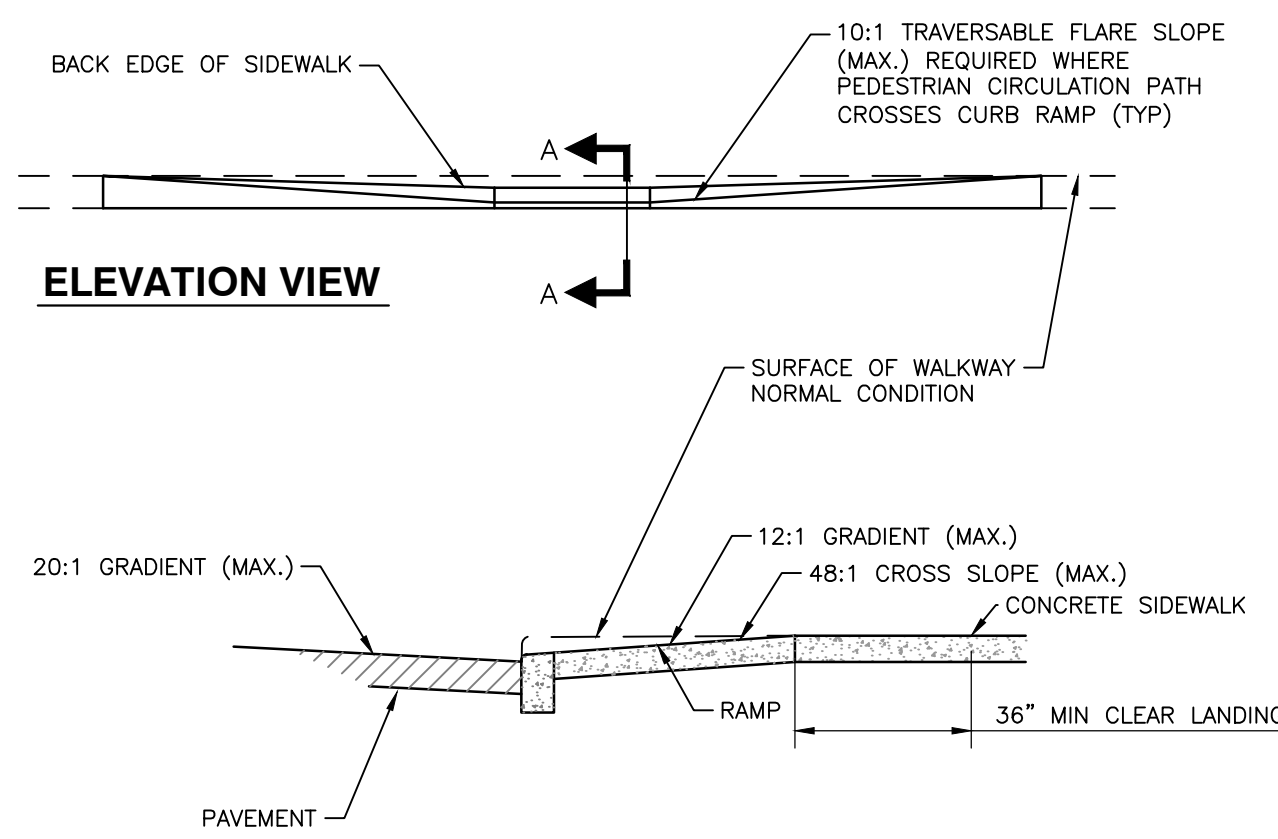
**NOTE:**  
 1. SEE PAVEMENT SECTION DETAILS FOR PAVEMENT TYPICALS

**ASPHALT PAVEMENT**  
 N.T.S.

**04 6 IN. VERTICAL CONCRETE CURB**  
 N.T.S.  
 C800

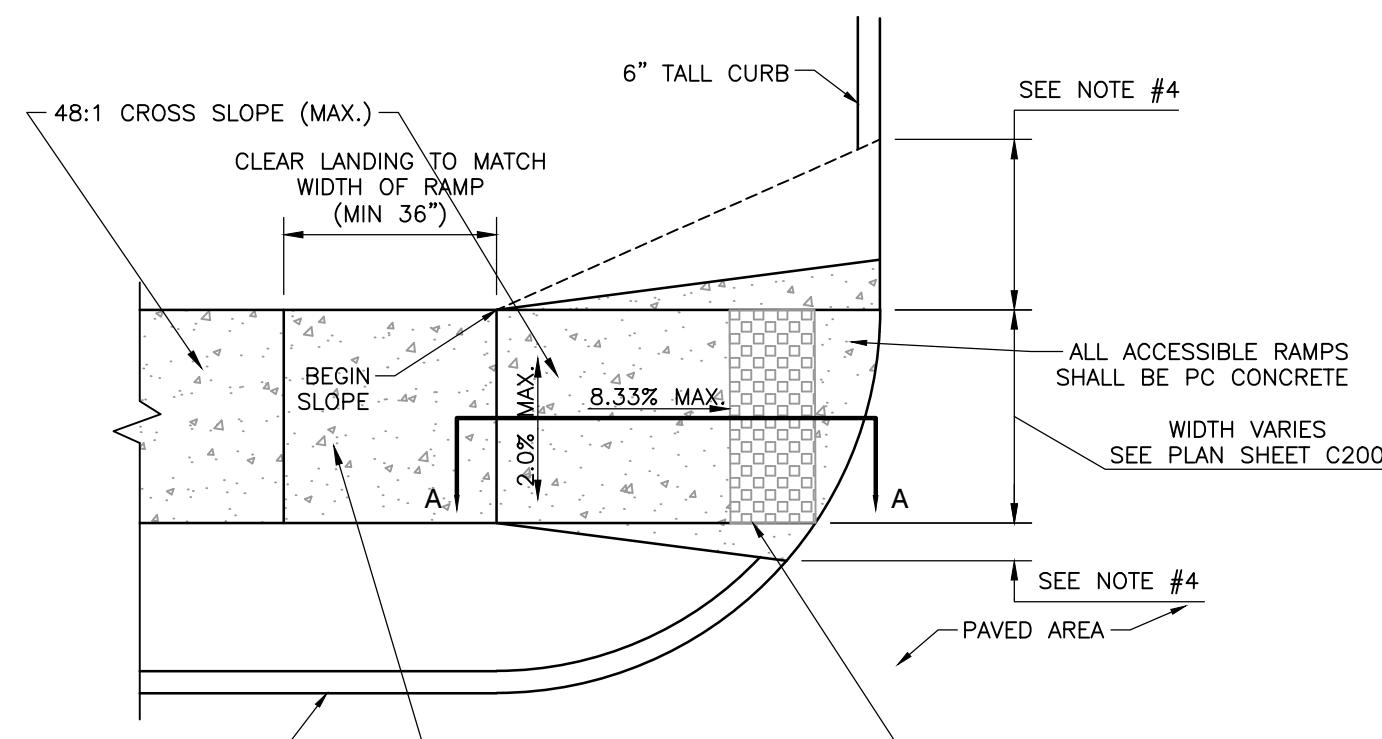


**ISOMETRIC VIEW**  
 N.T.S.



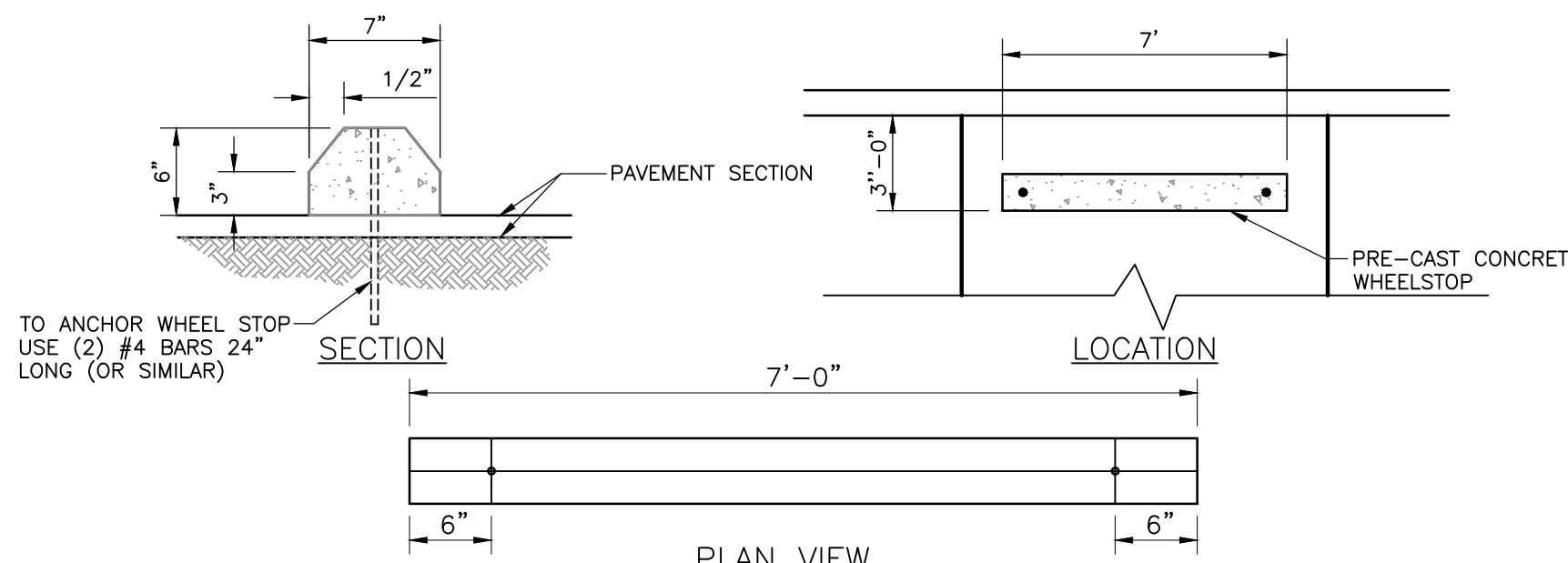
**CROSS SECTION A-A**  
 N.T.S.

**05 TRAVERSABLE FLARE ACCESSIBLE CURB RAMP**  
 N.T.S.  
 C800



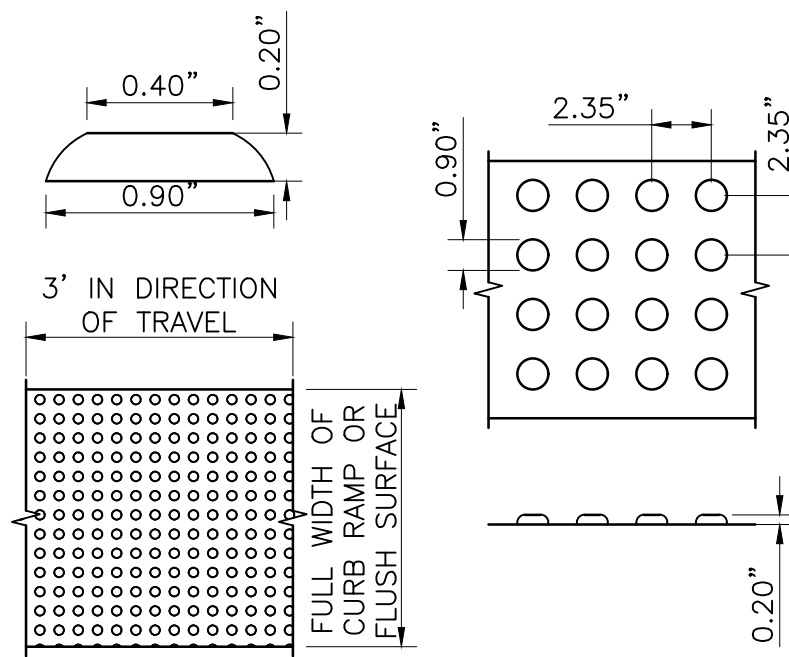
**NOTES:**  
 1. ACCESSIBLE SPACE AND ADJACENT LOADING AREA SHALL HAVE MAXIMUM 1:50 SLOPE IN ANY DIRECTION.  
 2. ASPHALT TO CONCRETE BLENDED TRANSITION TO BE COMPLETELY FLUSH, NO LIP.  
 3. THE RAMP SHALL INCLUDE A DETECTABLE WARNING SURFACE (AS REQUIRED BY CODE OR DEVELOPER)  
 4. 1" WIDE OR PROVIDE A 10:1 MAX. SLOPE "TRAVERSABLE FLARE" WHERE PEDESTRIAN CIRCULATION PATH CROSSES CURB RAMP. SIDE SLOPE VARIES UNIFORMLY FROM A MAXIMUM OF UP TO 10% AT CURB TO CONFORM WITH LONGITUDINAL SIDEWALK SLOPE ADJACENT TO TOP OF THE RAMP.  
 5. CONSTRUCT PER A.D.A. & LOCAL STANDARDS.

**06 ACCESSIBLE RAMP IN PEDESTRIAN WAY**  
 N.T.S.  
 C800

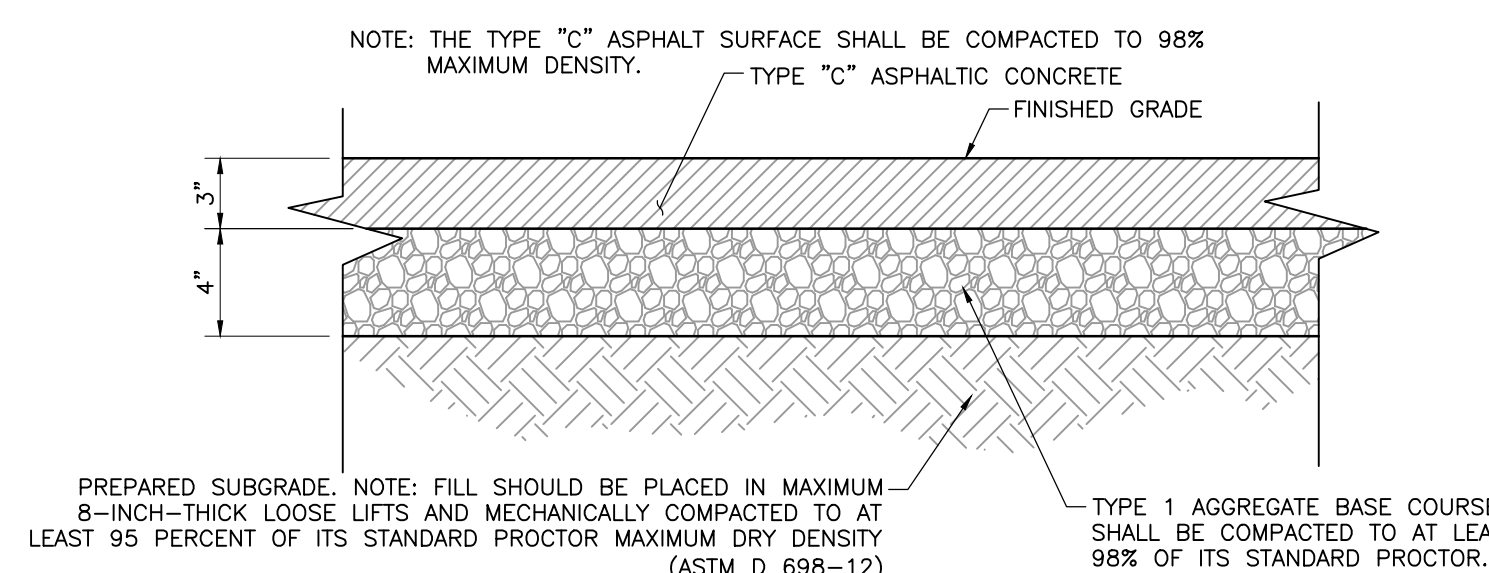


**NOTE:** TO ANCHOR WHEEL STOP, USE 2 - #4 BARS 24" LONG. SIMILAR SHAPE MAY BE USED UPON APPROVAL OF THE ENGINEER.

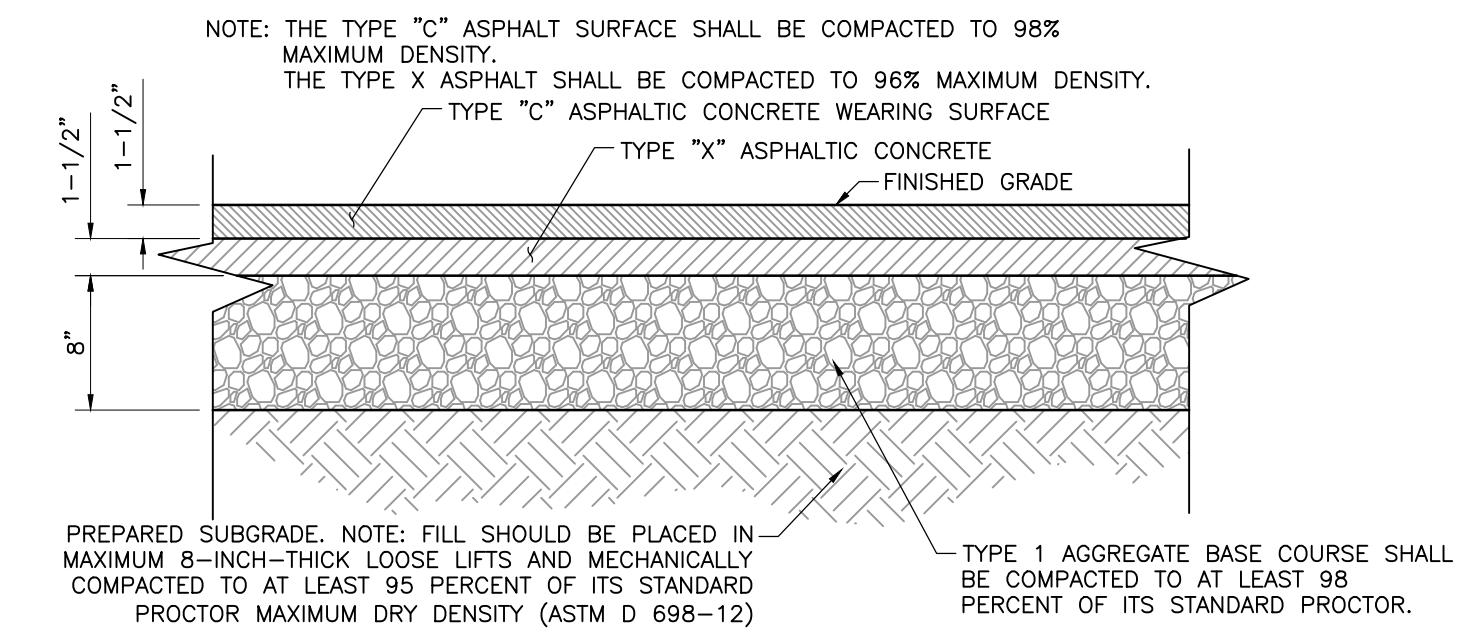
**07 PRECAST CONCRETE WHEELSTOP DETAIL**  
 N.T.S.  
 C800



**08 DETECTABLE WARNING SURFACE**  
 N.T.S.  
 C800

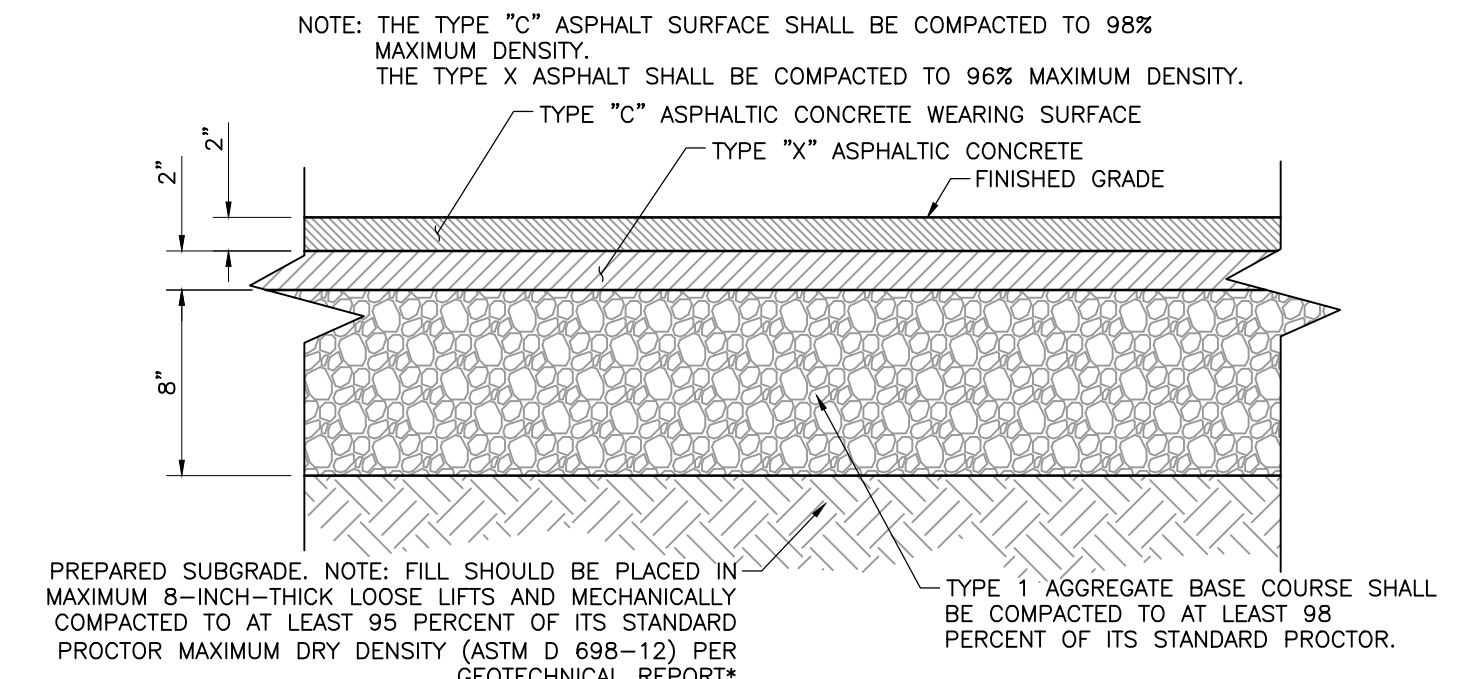


**09 ASPHALT TRAIL**  
 N.T.S.  
 C800



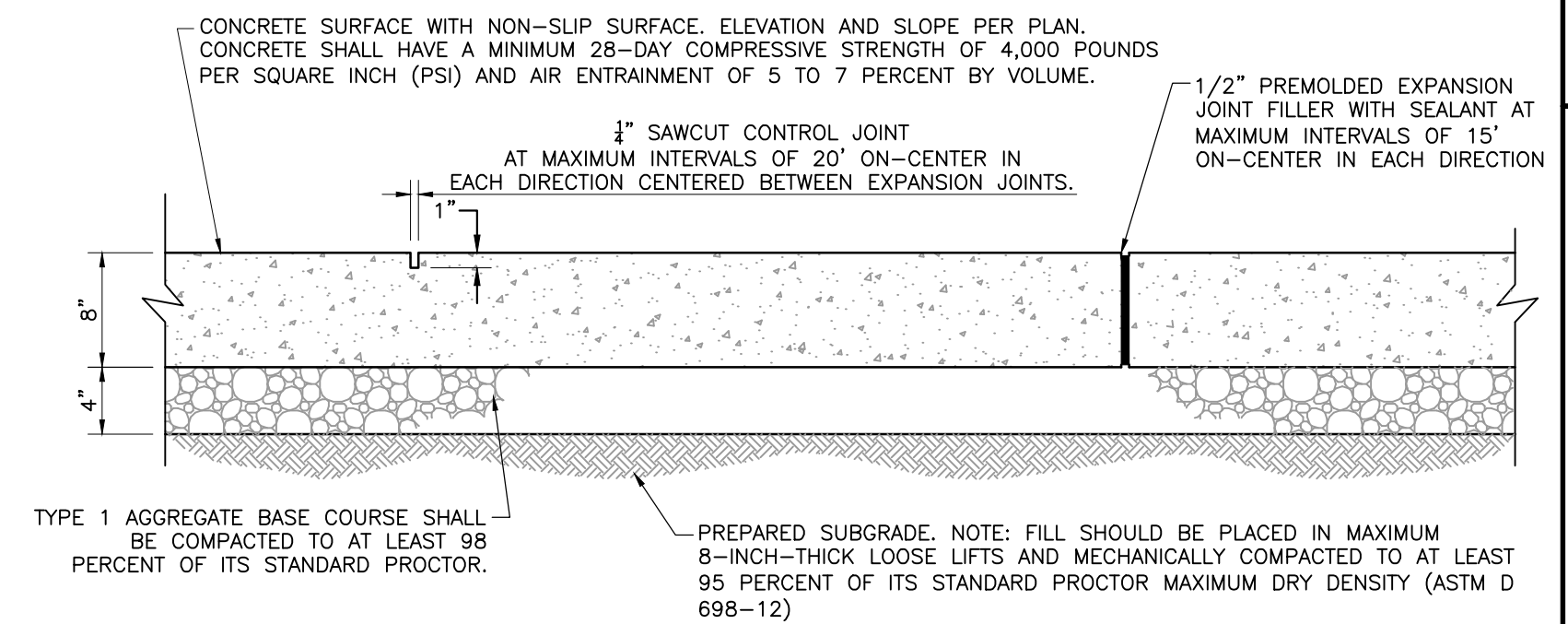
**NOTES:**  
 1. SEE "HATCHED" AREAS FOR LOCATIONS.

**10 LIGHT DUTY ASPHALT PAVEMENT (HATCHED)**  
 N.T.S.  
 C800

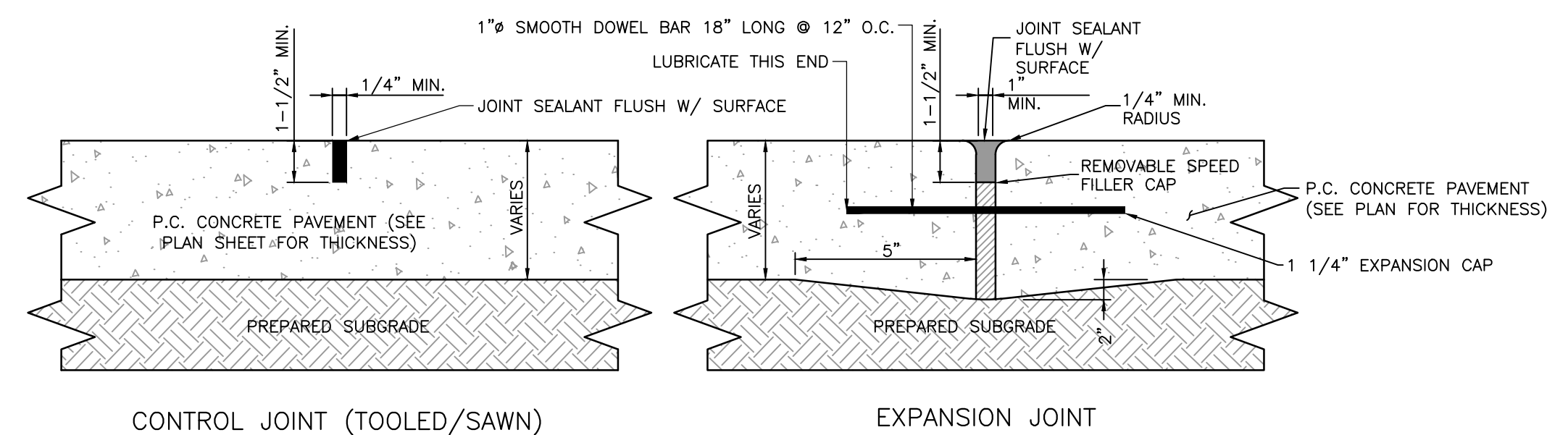


**NOTES:**  
 1. SEE "HATCHED" AREAS FOR LOCATIONS.

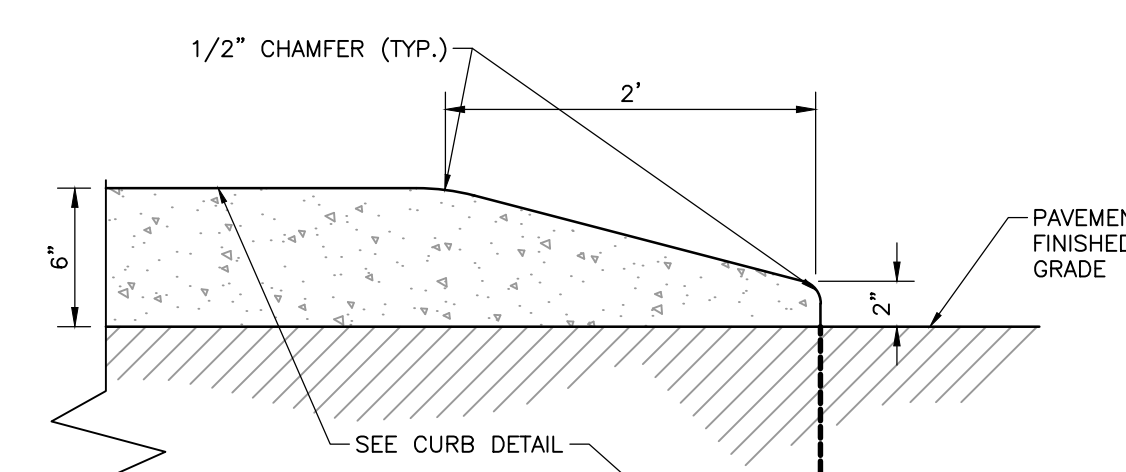
**11 HEAVY DUTY ASPHALT PAVEMENT DETAIL**  
 N.T.S.  
 C800



**12 CONCRETE PAVEMENT DETAIL**  
 N.T.S.  
 C800



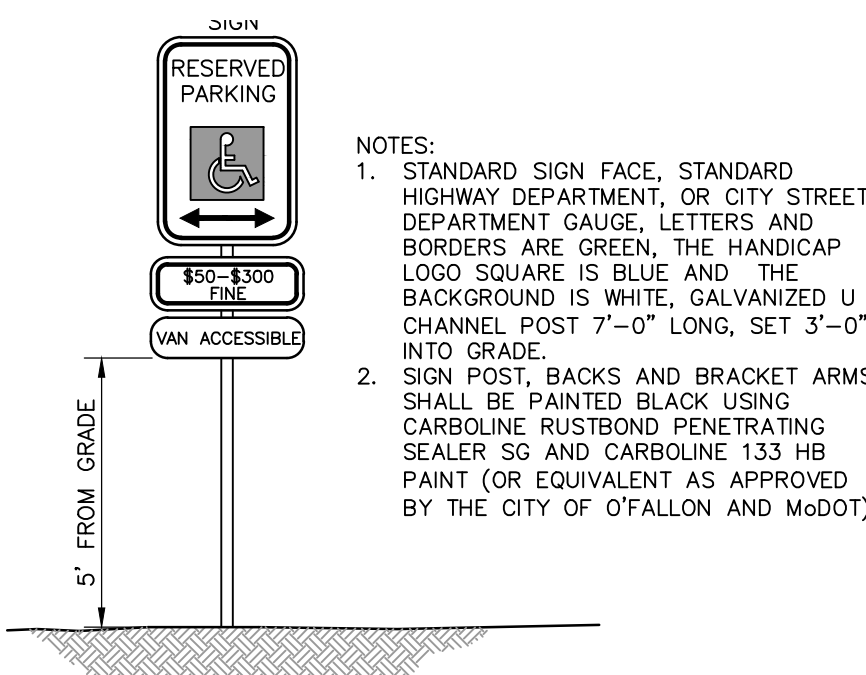
**13 CONCRETE PAVEMENT JOINT DETAIL**  
 N.T.S.  
 C800



**14 CONCRETE CURB TERMINUS DETAIL**  
 N.T.S.  
 C800

**NOTES:**  
 1. MARKINGS FOR STREET SHALL BE ACCORDING TO REQUIREMENTS AS OUTLINED IN SECTION 5B OF THE MANUAL ON UNIFORM TRAFFIC CONTROL DEVICES FOR STREETS AND HIGHWAYS.  
 2. THESE MARKINGS ARE TO BE PAINTED REFLECTIVE WHITE.

**02 CROSS WALK MARKING DETAIL**  
 N.T.S.  
 C800



**NOTES:**  
 1. STANDARD SIGN FACE, STANDARD HIGHWAY DEPARTMENT, OR CITY STREET DEPARTMENT GAUGE, LETTERS AND BORDERS ARE GREEN, THE HANDICAP LOGO SQUARE IS BLUE AND THE BACKGROUND IS WHITE, GALVANIZED U CHANNEL POST 7'-0" LONG, SET 3'-0" INTO GRADE.  
 2. SIGN POST, BACKS AND BRACKET ARMS SHALL BE PAINTED BLACK USING CARBOLINE RUSTBOND PENETRATING SEALER SG AND CARBOLINE 133 HB PAINT (OR EQUIVALENT AS APPROVED BY THE CITY OF FALLON AND MODOT).

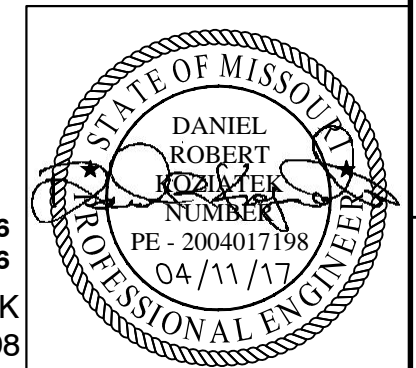
**03 ACCESSIBLE SIGNAGE**  
 N.T.S.  
 C800

**Civil & Environmental Consultants, Inc.**  
 CERTIFICATION/LICENSE NO. 2002013942  
 4848 Park 370 Blvd., Suite F - Hazelwood, MO 63042  
 314-656-4566 • 866-250-3679  
 www.cecfinc.com

**QUICK SERVE PROPERTIES, LLC**  
 7201 OLIVE BLVD.  
 UNIVERSITY CITY, MO 63130

**WICKED GREENZ**  
 4015 HIGHWAY K  
 OFALLON, MISSOURI 63368  
 CONSTRUCTION DETAILS (1 OF 2)

DATE: SEPT. 2016 DRAWN BY: DANIEL KOZIATEK  
 DVG SCALE: (NOT TO SCALE) CHECKED BY: DANIEL KOZIATEK  
 PROJECT NO: 162-880  
 APPROVED BY: DRK\*



P&Z CUP#25.16  
 OCT. 31, 2016  
 DANIEL KOZIATEK  
 2004017198  
 \*HAND SIGNATURE ON FILE

DRAWING NO. **C800**  
 SHEET 08 OF 14