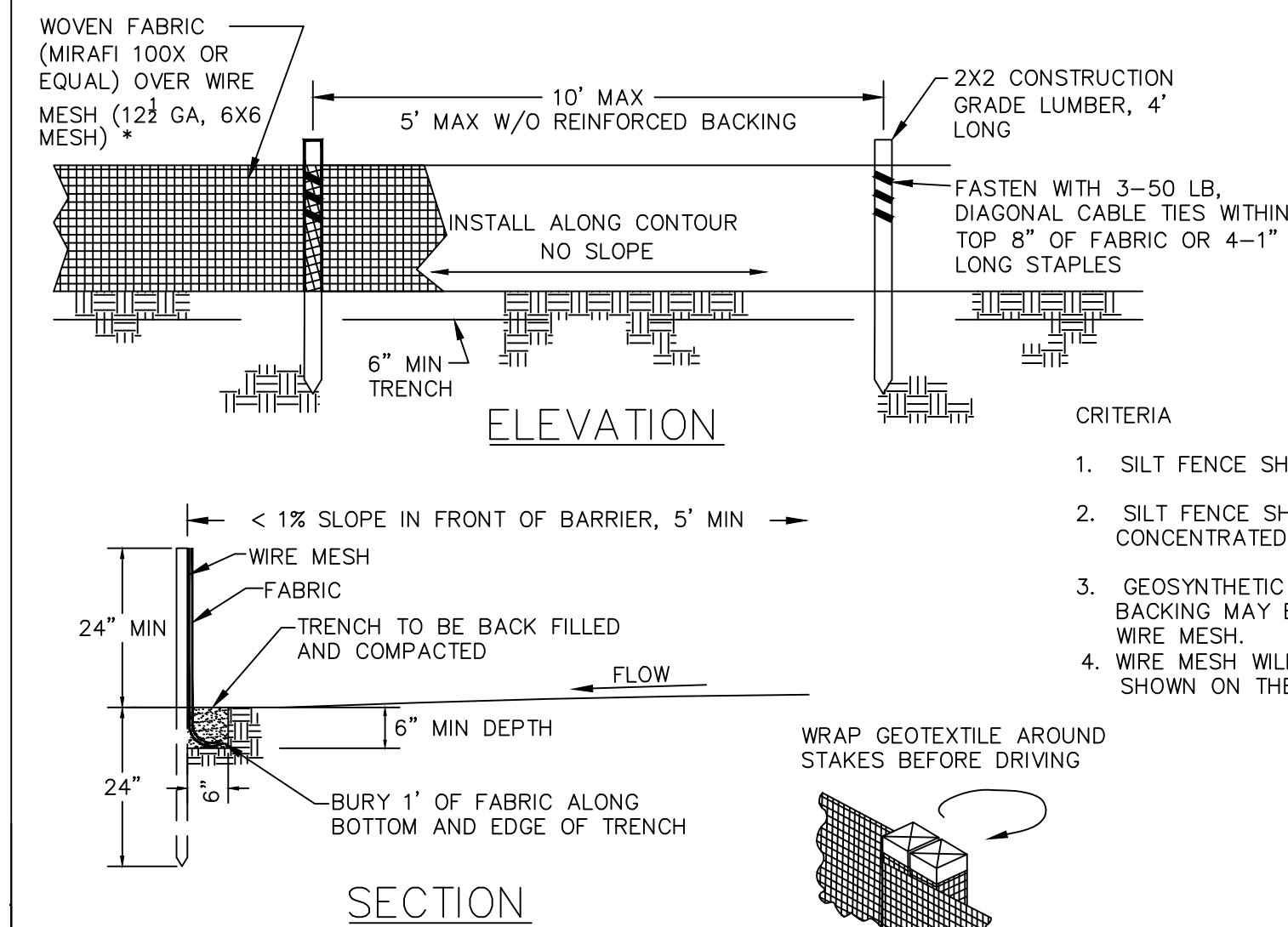


- DESIGN CRITERIA**
- SILT FENCE FOR SHEET FLOW SHALL HAVE A MAXIMUM DRAINAGE AREA OF 1/4 ACRE PER 100 LF.
 - STRAW BALE BARRIERS FOR SHEET FLOW SHALL HAVE A MAXIMUM DRAINAGE AREA OF 1/4 ACRE PER 100 LF.
 - REFER TO INDIVIDUAL ESC FIGURE FOR INSTALLATION.
 - TERRACING INCLUDES LOGS, WATTLES & FILTER SOCKS.

CITY OF O'FALLON
ENGINEERING DEPARTMENT
O'FALLON, MISSOURI

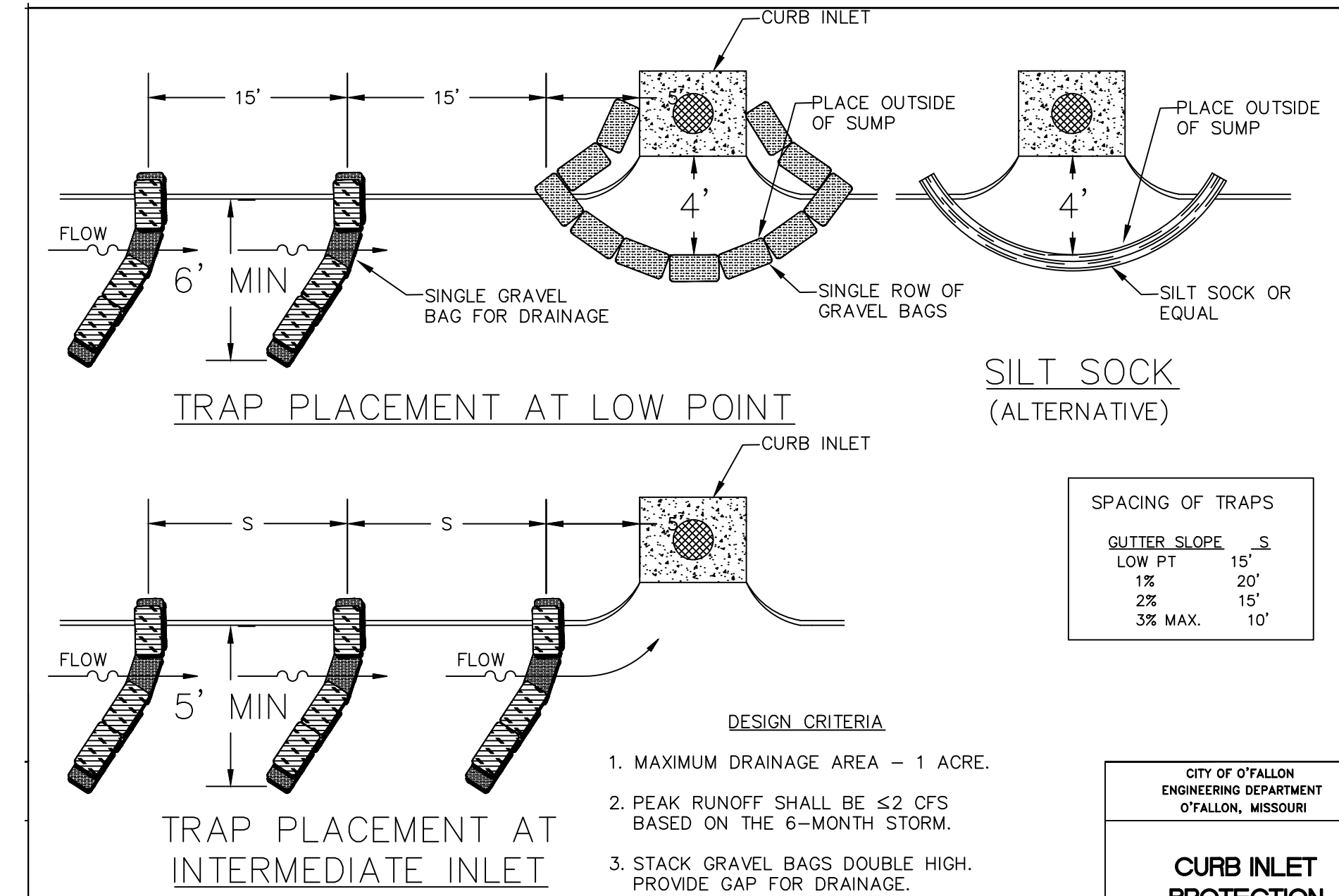
**SPACING CHART
FOR ESC DEVICES**



- CRITERIA**
- SILT FENCE SHALL BE 24 INCHES HIGH.
 - SILT FENCE SHALL NOT BE USED FOR CONCENTRATED FLOWS.
 - GEOSYNTHETIC REINFORCED SILT FENCE BACKING MAY BE USED IN LIEU OF WIRE MESH.
 - WIRE MESH WILL BE USED AT LOCATIONS SHOWN ON THE APPROVED SWPPP.

CITY OF O'FALLON
ENGINEERING DEPARTMENT
O'FALLON, MISSOURI

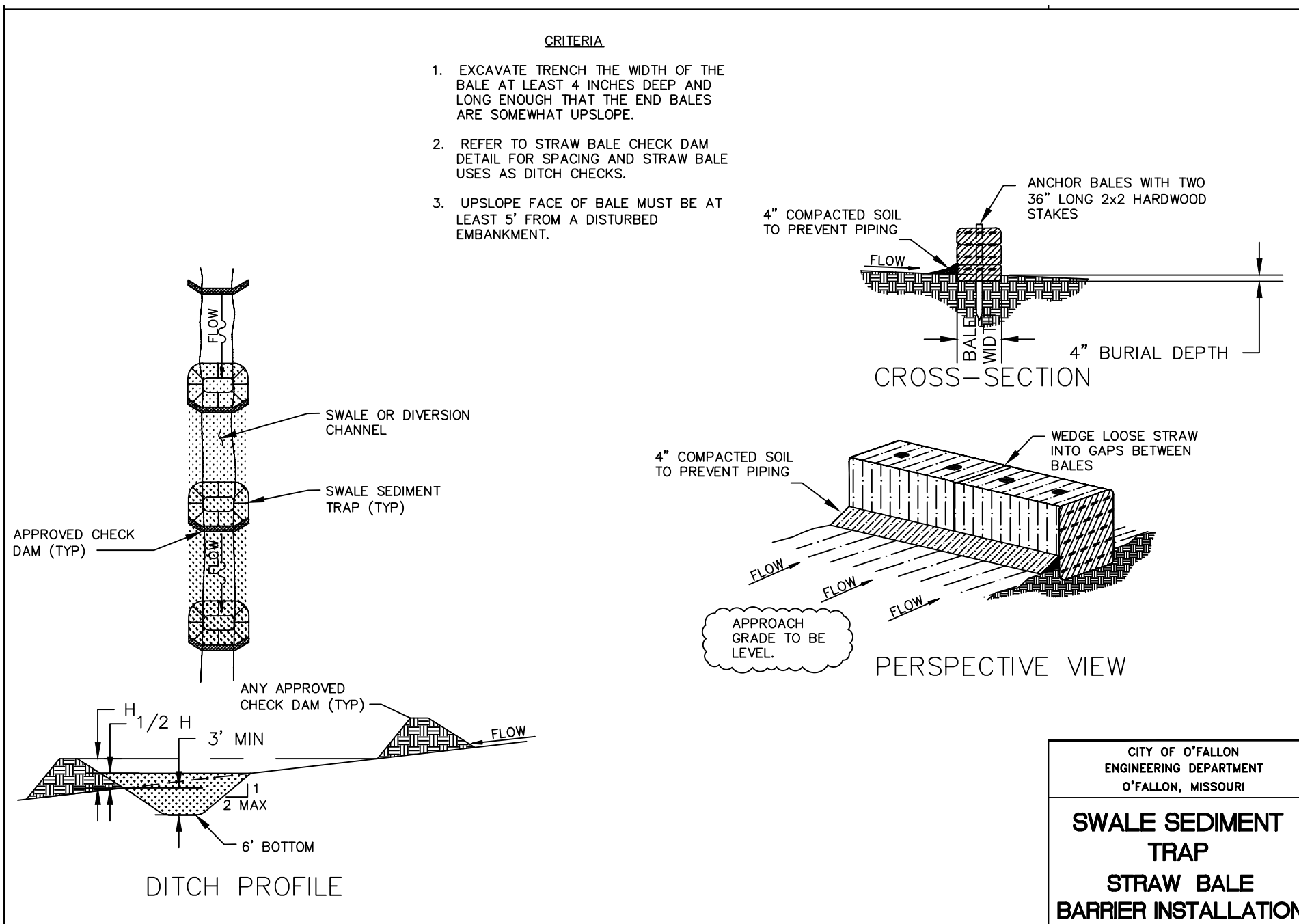
**SILT FENCE INSTALLATION
SHEET FLOW (ONLY)**



- DESIGN CRITERIA**
- MAXIMUM DRAINAGE AREA - 1 ACRE.
 - PEAK RUNOFF SHALL BE ≤ 2 CFS BASED ON THE 6-MONTH STORM.
 - STACK GRAVEL BAGS DOUBLE HIGH. PROVIDE GAP FOR DRAINAGE.

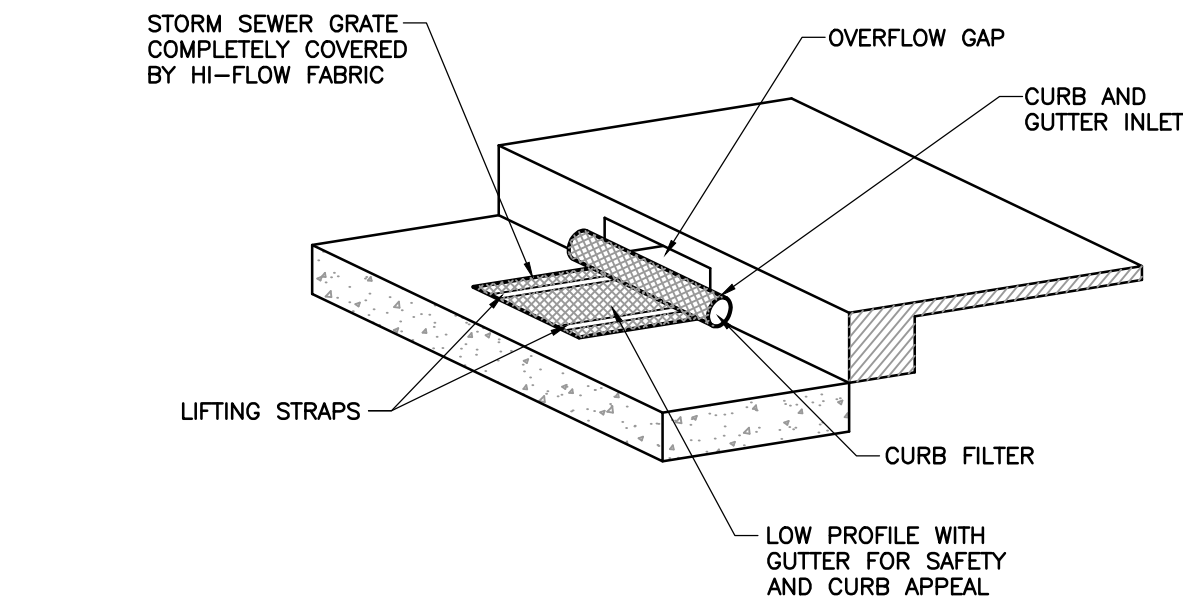
CITY OF O'FALLON
ENGINEERING DEPARTMENT
O'FALLON, MISSOURI

**CURB INLET
PROTECTION**



CITY OF O'FALLON
ENGINEERING DEPARTMENT
O'FALLON, MISSOURI

**SWALE SEDIMENT
TRAP
STRAW BALE
BARRIER INSTALLATION**



DANDY CURB BAG™ SPECIFICATIONS

NOTE: THE DANDY CURB BAG WILL BE MANUFACTURED IN THE U.S.A FROM A WOVEN MONOFILAMENT FABRIC THAT MEETS OR EXCEEDS THE FOLLOWING SPECIFICATIONS:

DANDY CURB BAG™ (SAFETY ORANGE)		UNITS	MARV
MECHANICAL PROPERTIES	TEST METHOD		
GRAB TENSILE STRENGTH	ASTM D 4632	KN (LBS)	1.62 (365) X 0.89 (200)
GRAB TENSILE ELONGATION	ASTM D 4632	%	24 X 10
PUNCTURE STRENGTH	ASTM D 4833	KN (LBS)	0.40 (90)
MULLLEN BURST STRENGTH	ASTM D 3786	KPA (PSI)	3097 (450)
TRAPEZOID TEAR STRENGTH	ASTM D 4533	KN (LBS)	0.51 (115) X 0.33 (75)
UV RESISTANCE	ASTM D 4355	%	90
APPARENT OPENING SIZE	ASTM D 4751	MM (US STD SIEVE)	0.425 (40)
FLOW RATE	ASTM D 4491	1/MIN/MP (GAL/MIN/FT²)	5907 (145)
PERMITTIVITY	ASTM D 4491	SEC"	2.1

*NOTE: ALL DANDY CURB BAGS™ CAN BE ORDERED WITH OPTIONAL OIL ABSORBENTS.

SUBMITTAL RECORD

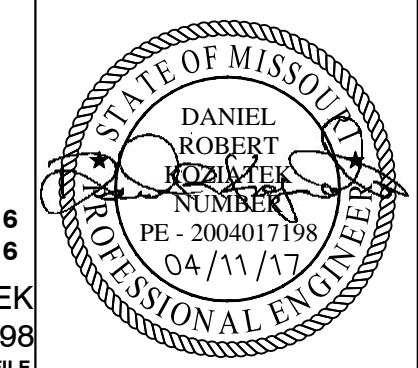
NO	DATE	DESCRIPTION
1	12/20/16	INITIAL IMPROVEMENT PLAN SUBMITTED TO CITY, MISSOURI, MISSOURI
2	03/07/17	REVISIONS TO CITY OF O'FALLON
3	04/11/17	FINAL SUBMITTAL TO CITY, MISSOURI, MISSOURI FOR APPROVAL
4		
5		
6		
7		
8		

Civil & Environmental Consultants, Inc.
 CERTIFICATION/LICENSE NO. 2002013942
 4848 Park 370 Blvd., Suite F - Hazelwood, MO 63042
 314-656-4566 · 866-250-3679
 www.cecfinc.com

QUICK SERVE PROPERTIES, LLC
 7201 OLIVE BLVD.
 UNIVERSITY CITY, MO 63130

WICKED GREENZ
 4015 HIGHWAY K
 OFALLON, MISSOURI 63368
EROSION CONTROL DETAILS

DATE: SEPT. 2016 DRAWN BY: CAC
 DWS SCALE: 1" = 20' CHECKED BY: DRK
 PROJECT NO: 162-880
 APPROVED BY: DRK*



P&Z CUP#25.16
 OCT. 31, 2016
 DANIEL KOZIATEK
 2004017198
 *HAND SIGNATURE ON FILE

DRAWING NO. **C901**
 SHEET 11 OF 14

P:\2016\162-880\CADD\DWG\001\WICKEDGREENZ\162880-001_C901.DWG LAST SAVED BY:(MTR/AM/WH) - 2/17/2017 11:53:00 AM, LAST PRINTED BY:(MTR/AM/WH) - 4/11/2017 2:42:29 PM