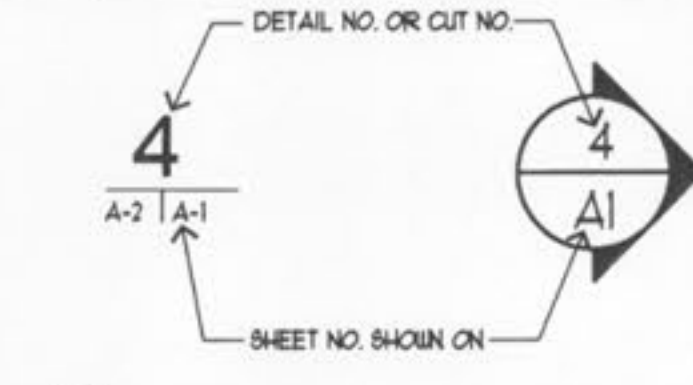


1 FIRST FLOOR PLAN
 NORTH

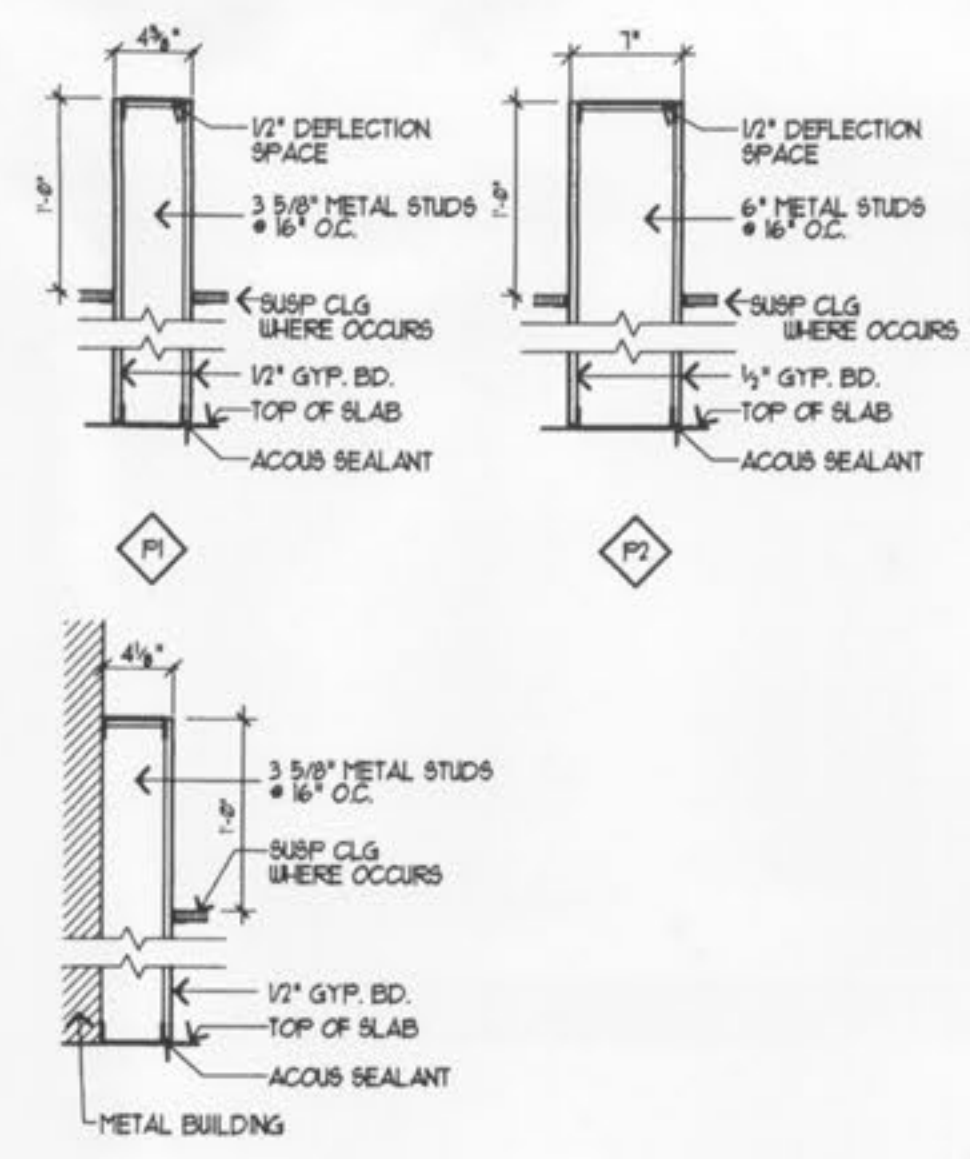
INFORMATION BLOCK	
CODE	BOCA NATIONAL BUILDING CODE / 1996
USE GROUP	S-1 STORAGE
OCCUPANCY LOADS	OFFICE 75# + 100 + 7 1/2 WARE 37,75# + 1000 + 37 1/2 TOTAL + 45
POSTING REQUIREMENTS	
TYPE CONST.	2C - 2 STY. 30', 8400 #'
AREA + HT. LIMITATIONS	38500 #', 22' HT. - FULLY SPRINKLERED UNLIMITED AREA
FIRE PROTECTION	TOTAL PER NFPA 13
FIRE WALL LOCATION	NONE
FIRE RATING STRUCTURAL ELEMENT	NONE PER TABLE 6-02
FIRE RATING EXT. WALLS	NONE PER TABLE 6-02
FLAME SPREAD	ALL ITEMS 75 OR LESS TESTED BY ASTM E84
SMOKE DEVELOPED	ALL ITEMS 450 OR LESS, TESTED BY ASTM E84



2 SECTION SYMBOL
 All AI

3 MATERIAL SYMBOLS			
	WOOD BLOCKING		CONCRETE
	FINISH WOOD		BRICK
	STRUCTURAL STEEL		CEMENT, PLASTER OR STONE
	RIGID INSULATION		INSULATION

3 MATERIAL SYMBOLS
 All AI



4 PARTITION TYPES
 All AI SCALE: 1" = 1'-0"

THESE DRAWINGS ARE HEREBY APPROVED FOR PERMIT AND ANNOTATED AS NEEDED TO MEET THE REQUIREMENTS OF THE CITY.
 M. Longoria
 SHEETS OF 5
 DATE OF 5-14-2001

STRUCTURAL
 STRAIN ENGINEERING
 42 ROLAND DRIVE
 SAINT PETERS, MO 63376
 CONTACT: JOE STRAIN, P.E.
 PHONE (314) 978-9459
 FAX (314) 978-9459

LePIQUE & ORNE ARCHITECTS, INC.
 ESTABLISHED 1916
 423 JACKSON STREET, SAINT CHARLES, MO 63301
 PHONE (636) 947-0099 FAX (636) 947-8700
 CONTACT: RON POWELL E-Mail: rpowell@lpoarchitects.com



NEW FACILITY FOR WILDERD WELDING
 NORTH I-70 SERVICE ROAD, O'FALLON, MO 63366
 QUALITY BUILDING SYSTEMS - G.C.

PROJECT NUMBER 00-097
 DATE 12-6-00

SHEET **A-1**
FIRST FLOOR PLAN