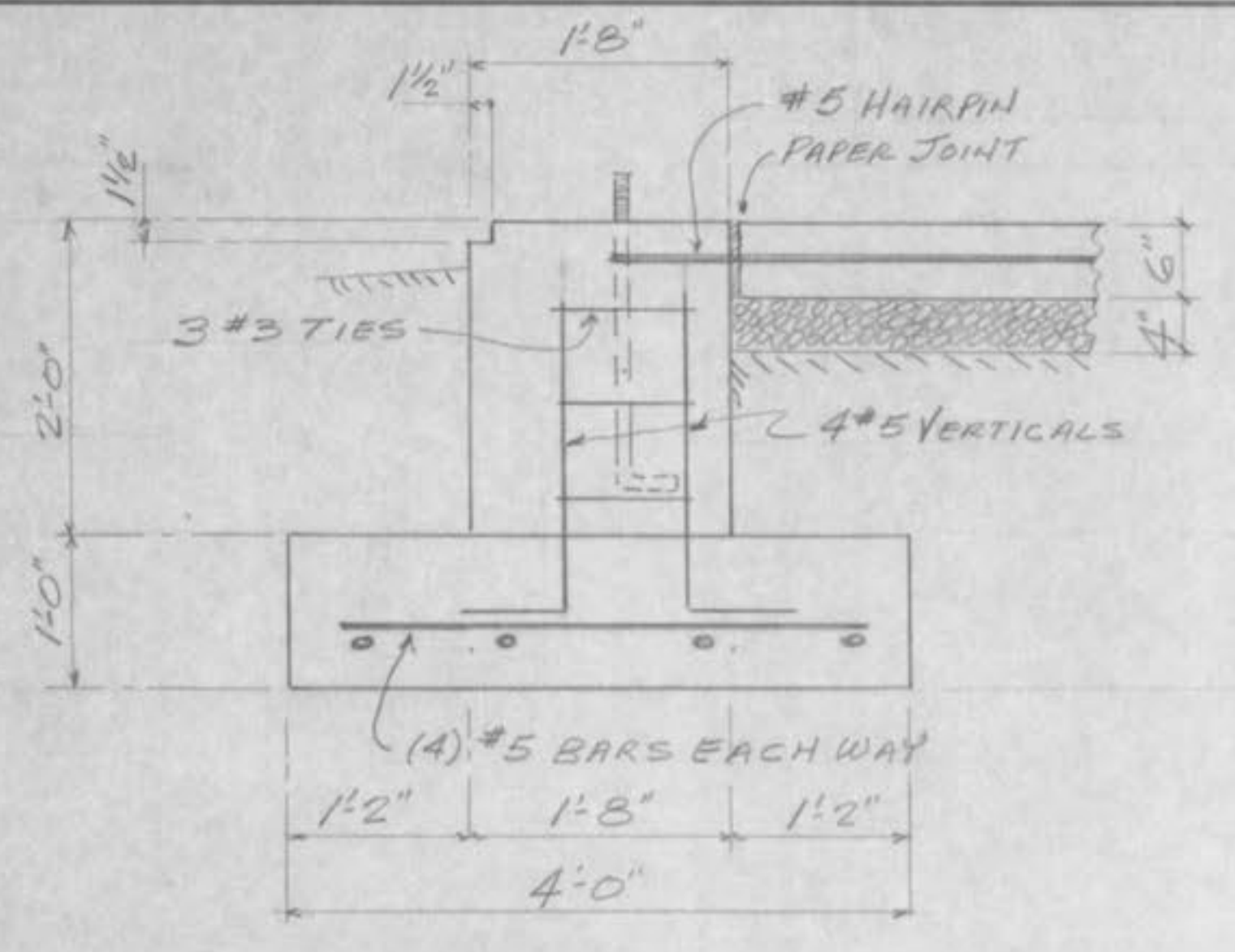
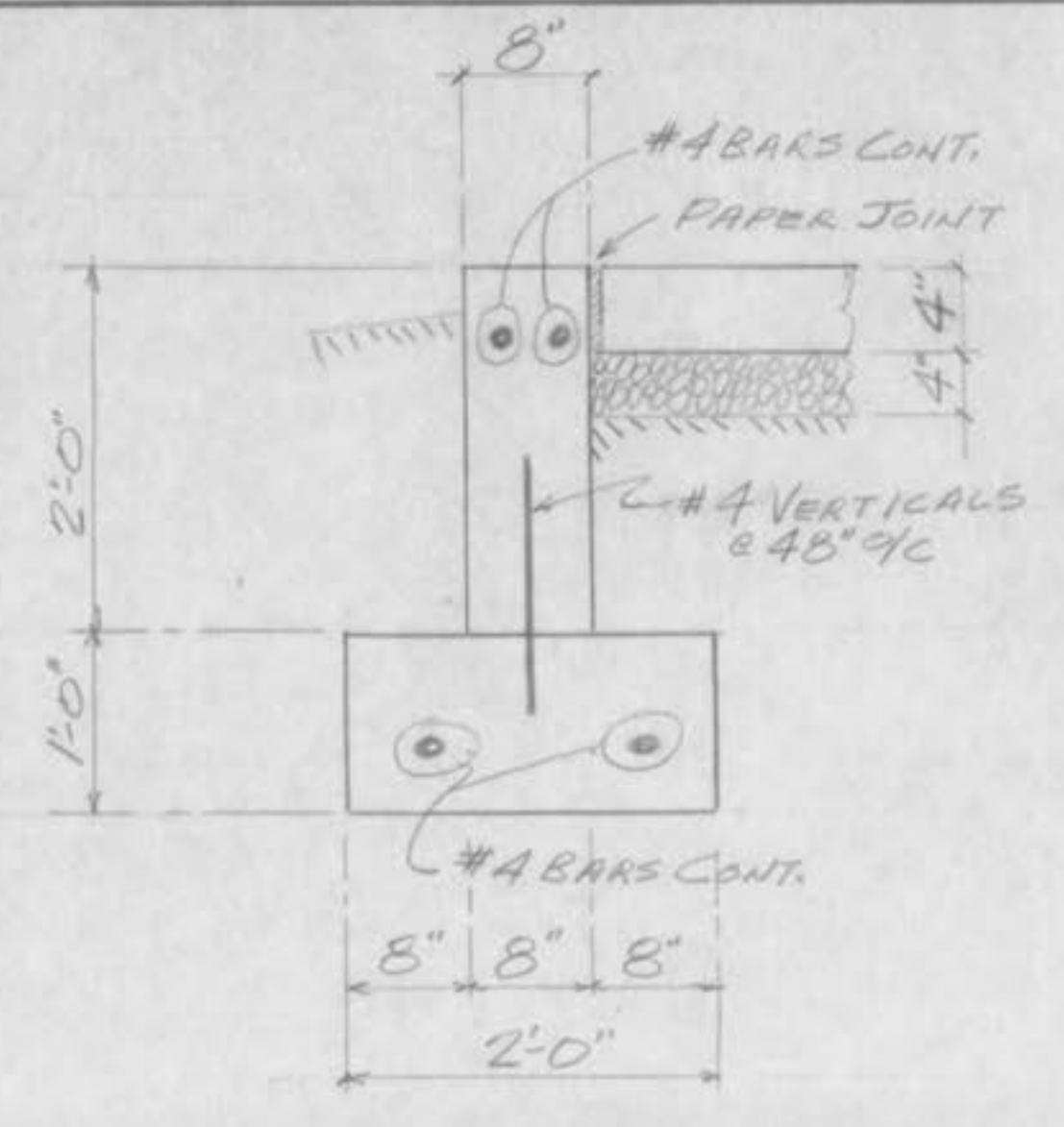


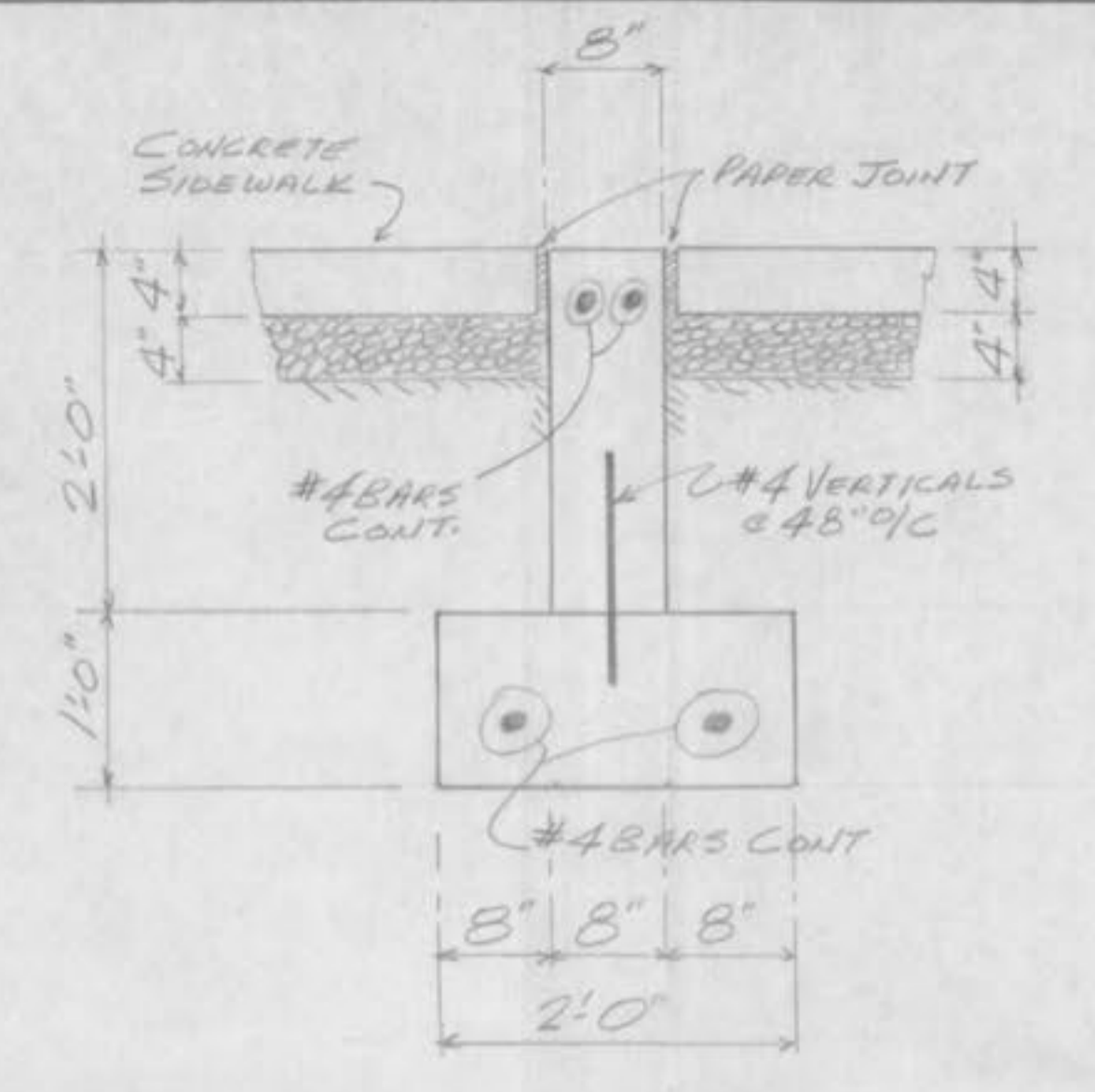
SECTION 1



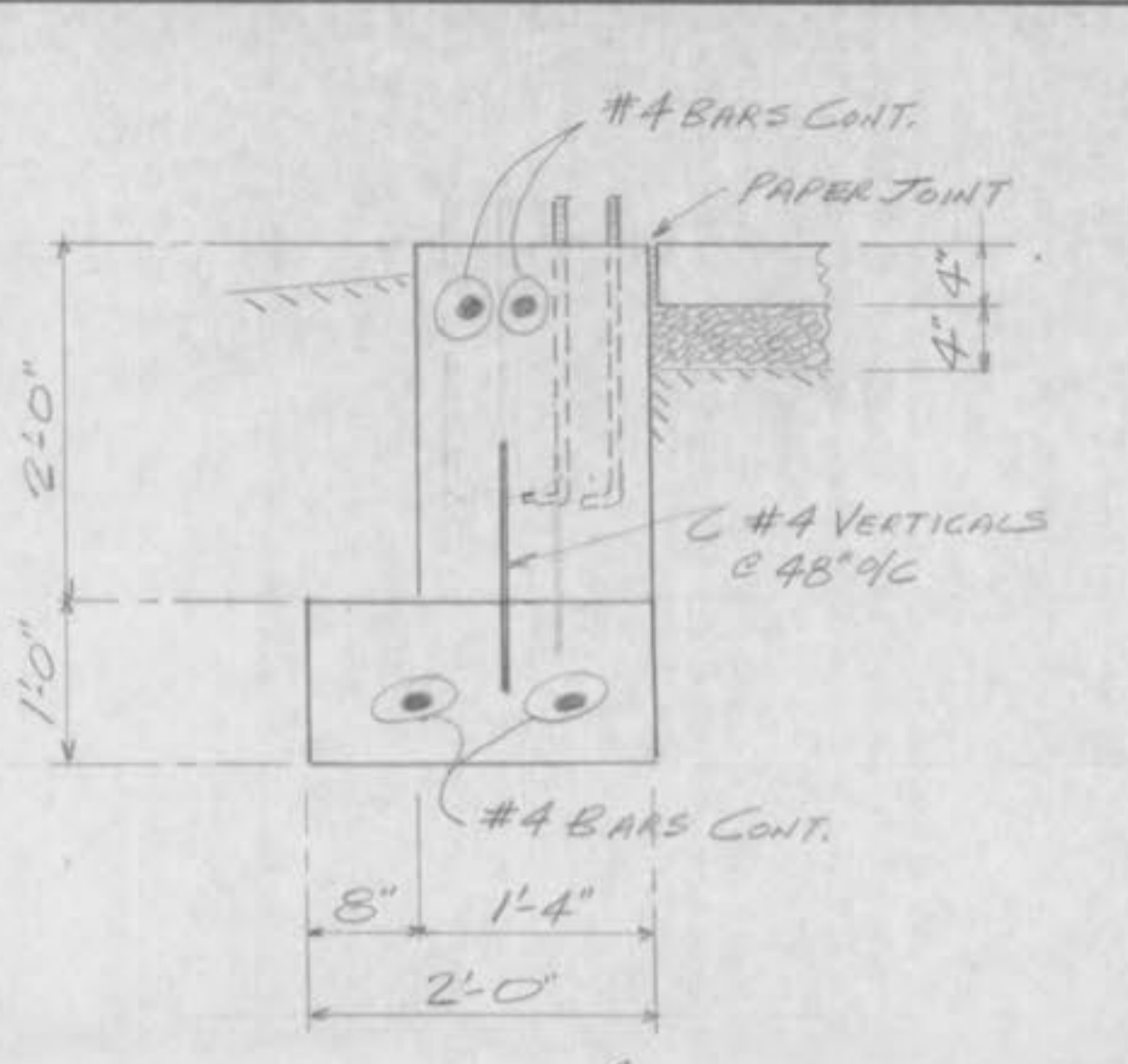
SECTION 2



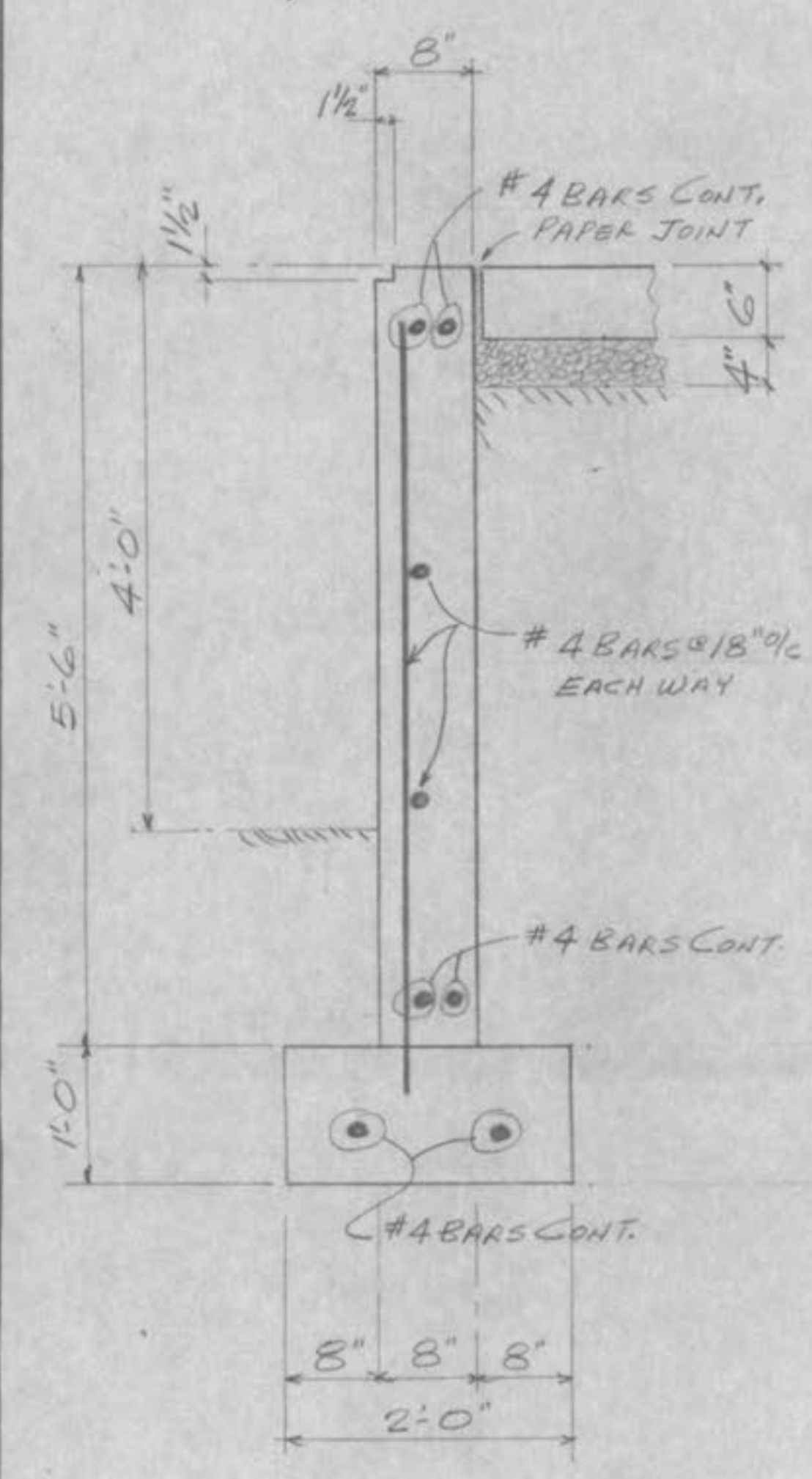
SECTION 3



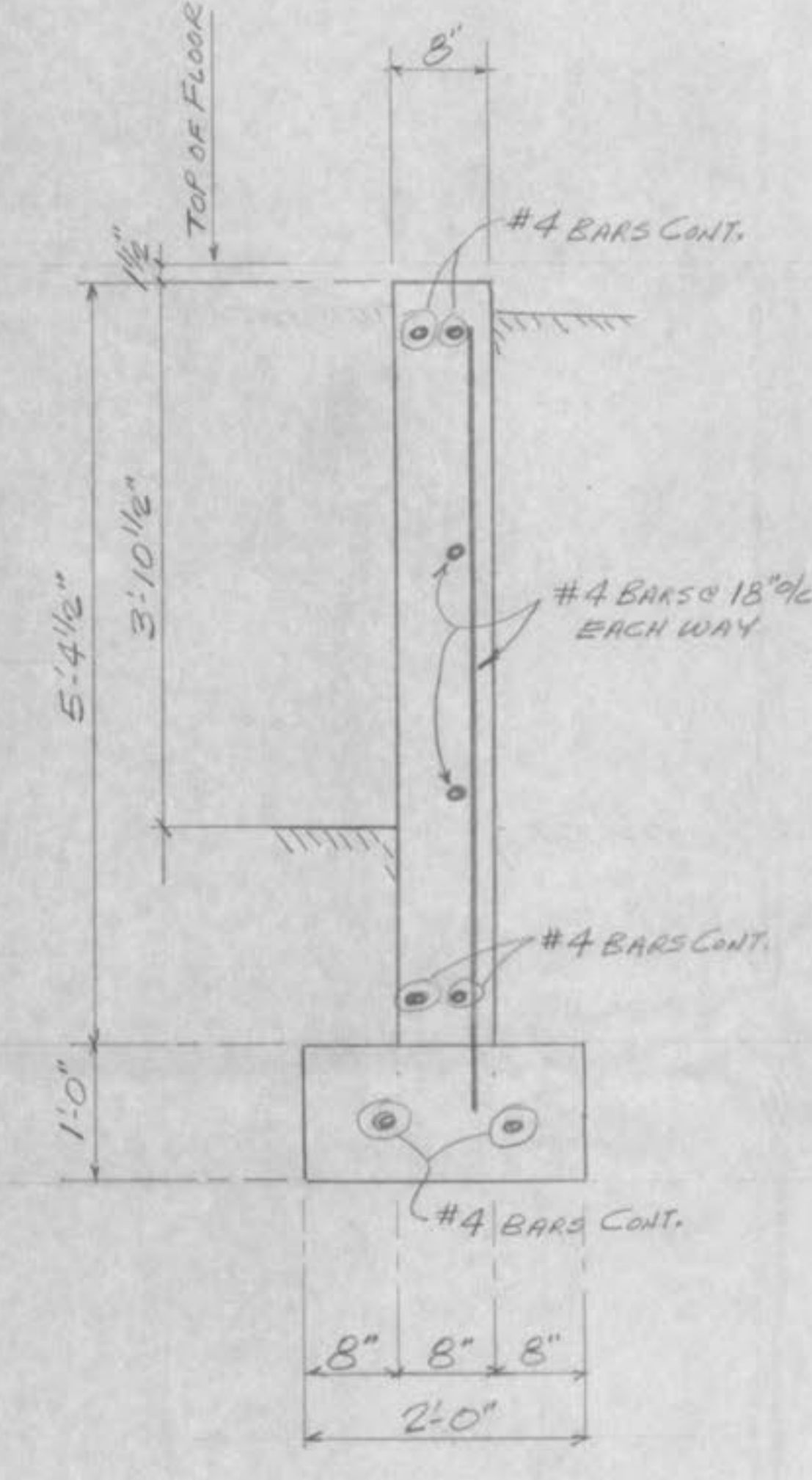
SECTION 4



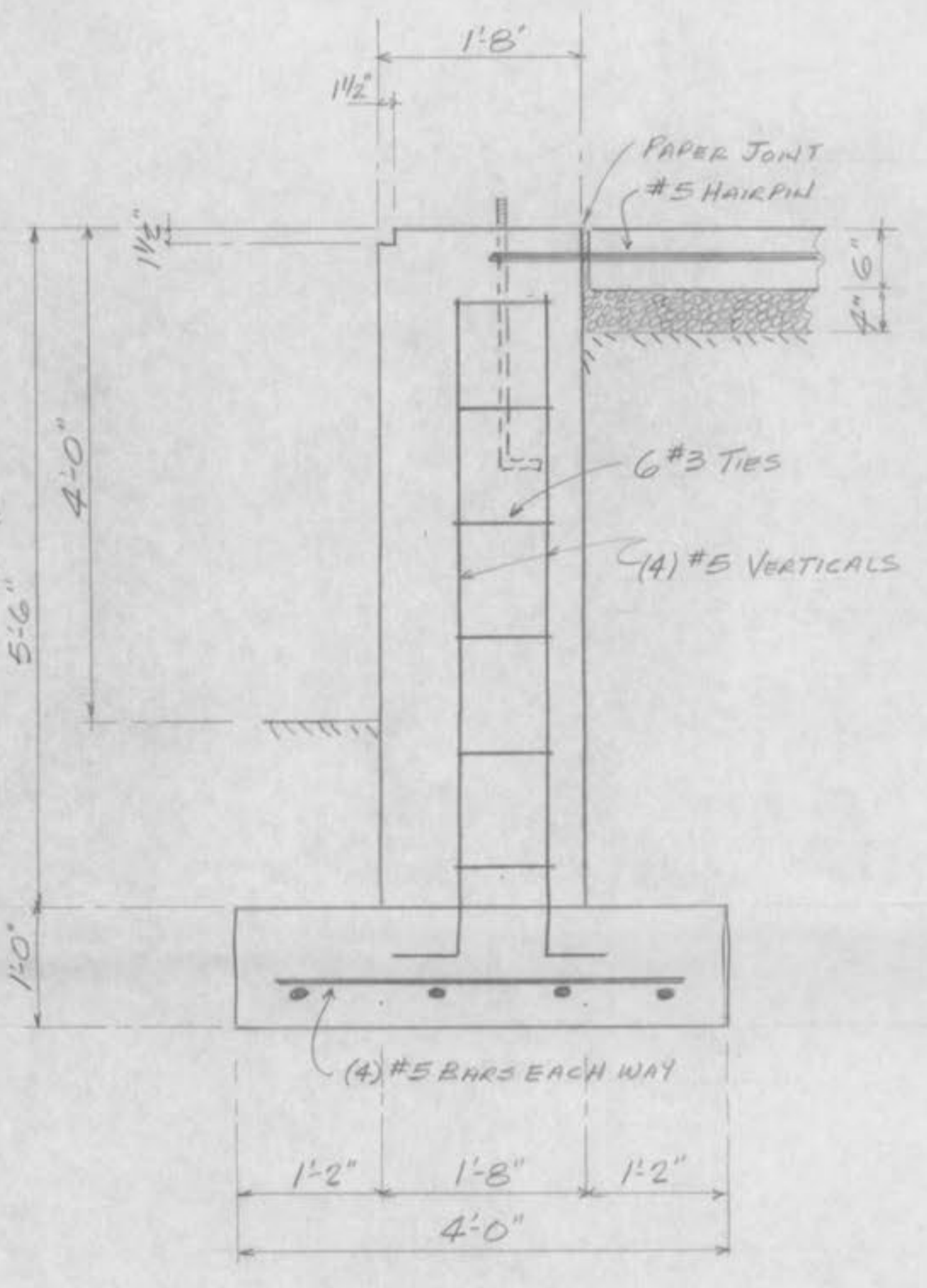
SECTION 5



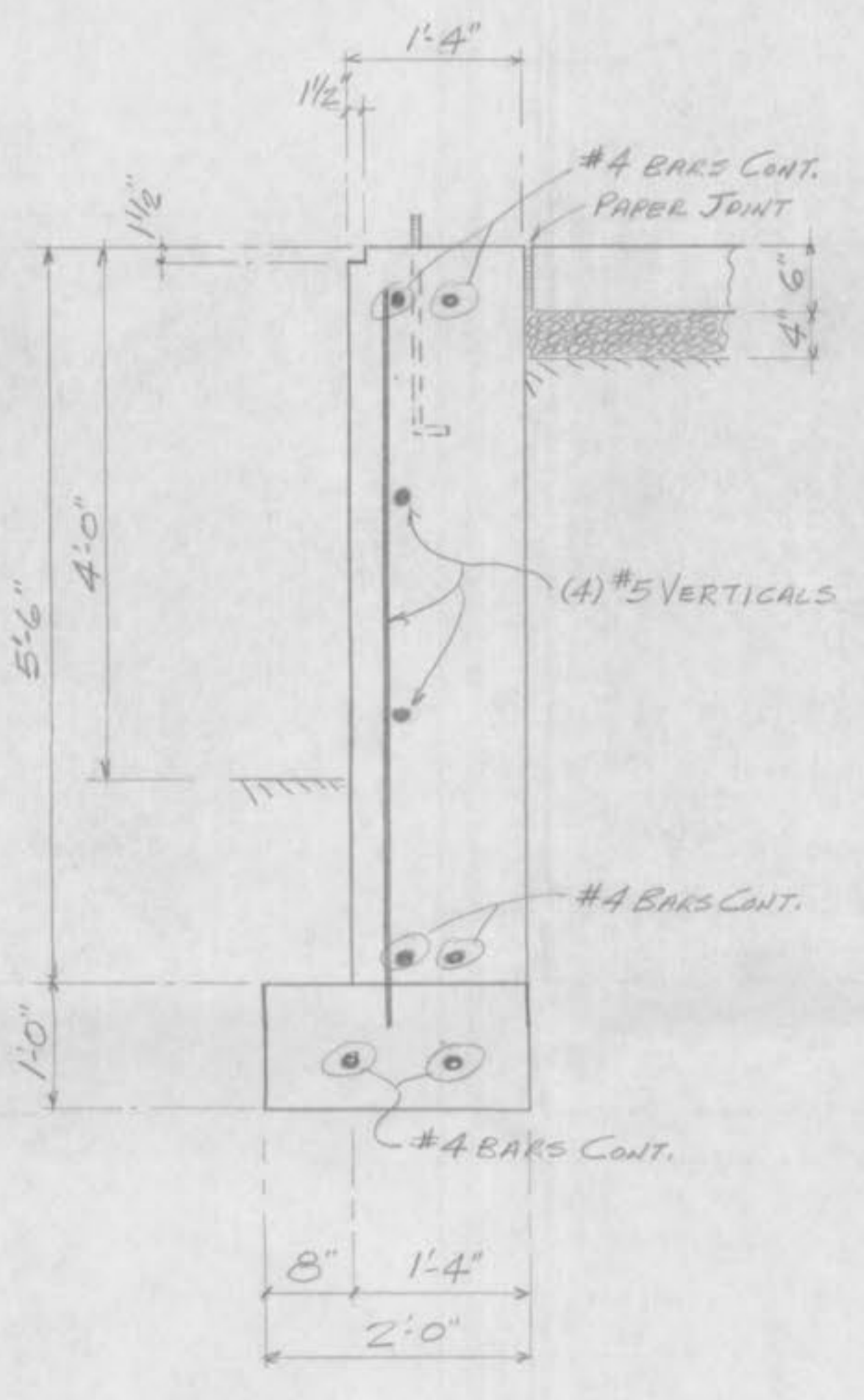
SECTION 6



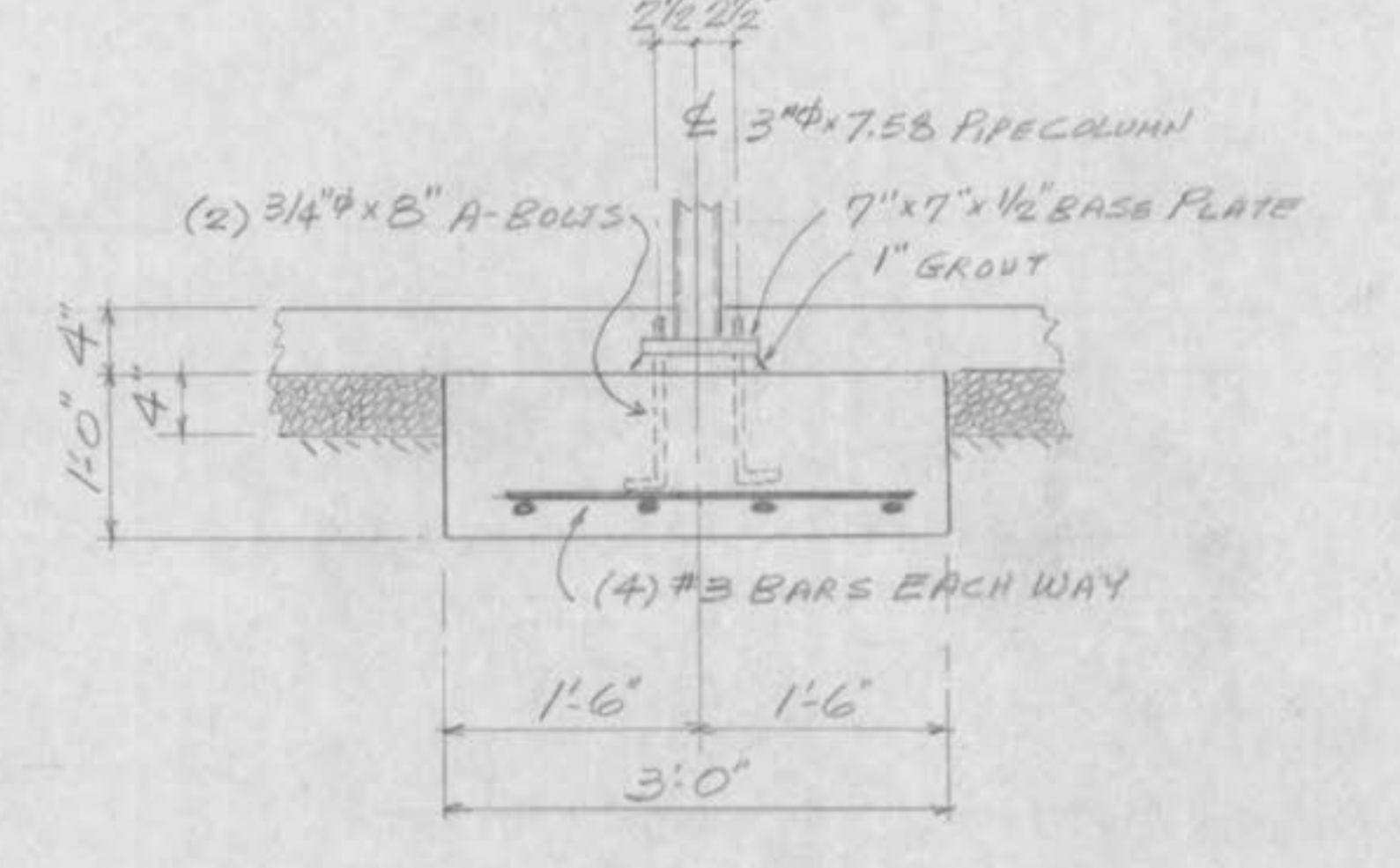
SECTION 7



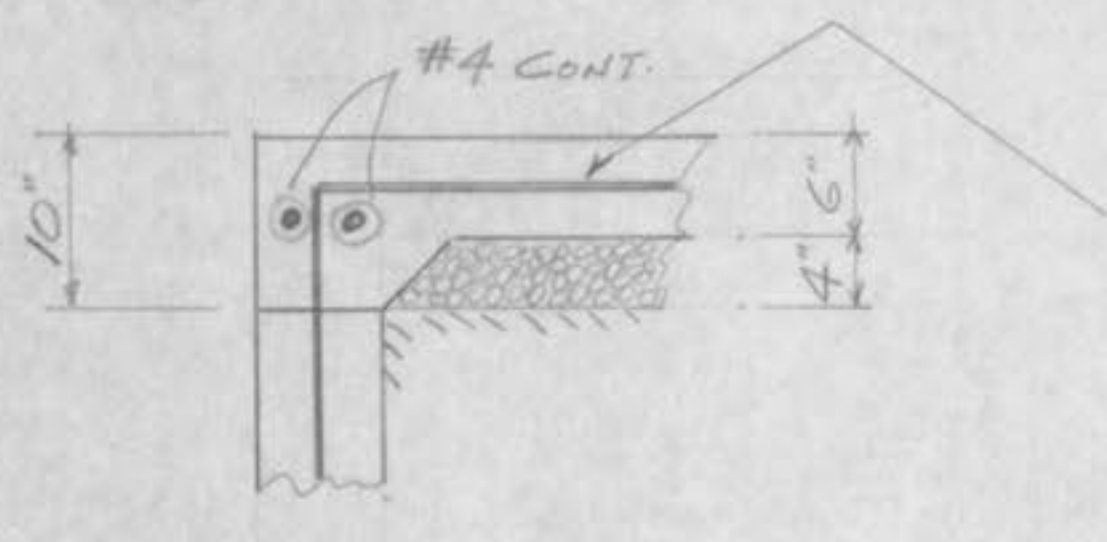
SECTION 8



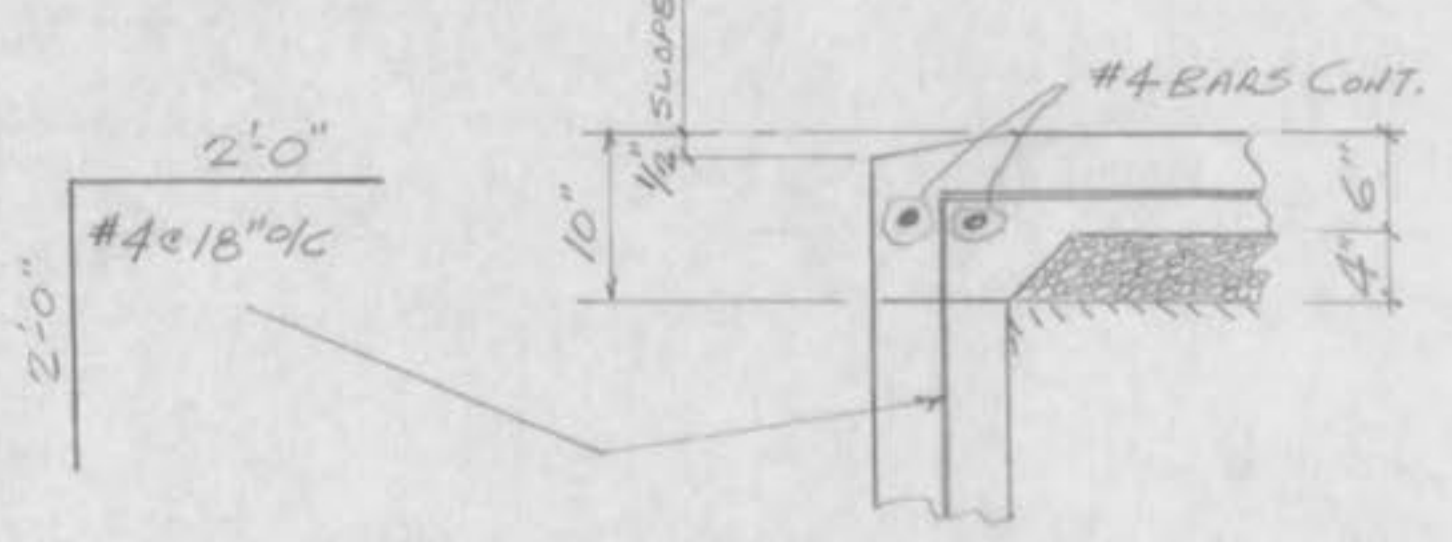
SECTION 9



SECTION 10



RECESS AT SER. DOORS



RECESS AT O.H. DOORS



FOUNDATION DETAILS		
SCALE: 1" = 1'-0"	APPROVED BY:	DRAWN BY:
DATE: 10-17-88		L.B.J.
WILLERDING WELDING CO.		
O'FALLON, MO.	DRAWING NUMBER:	40R4