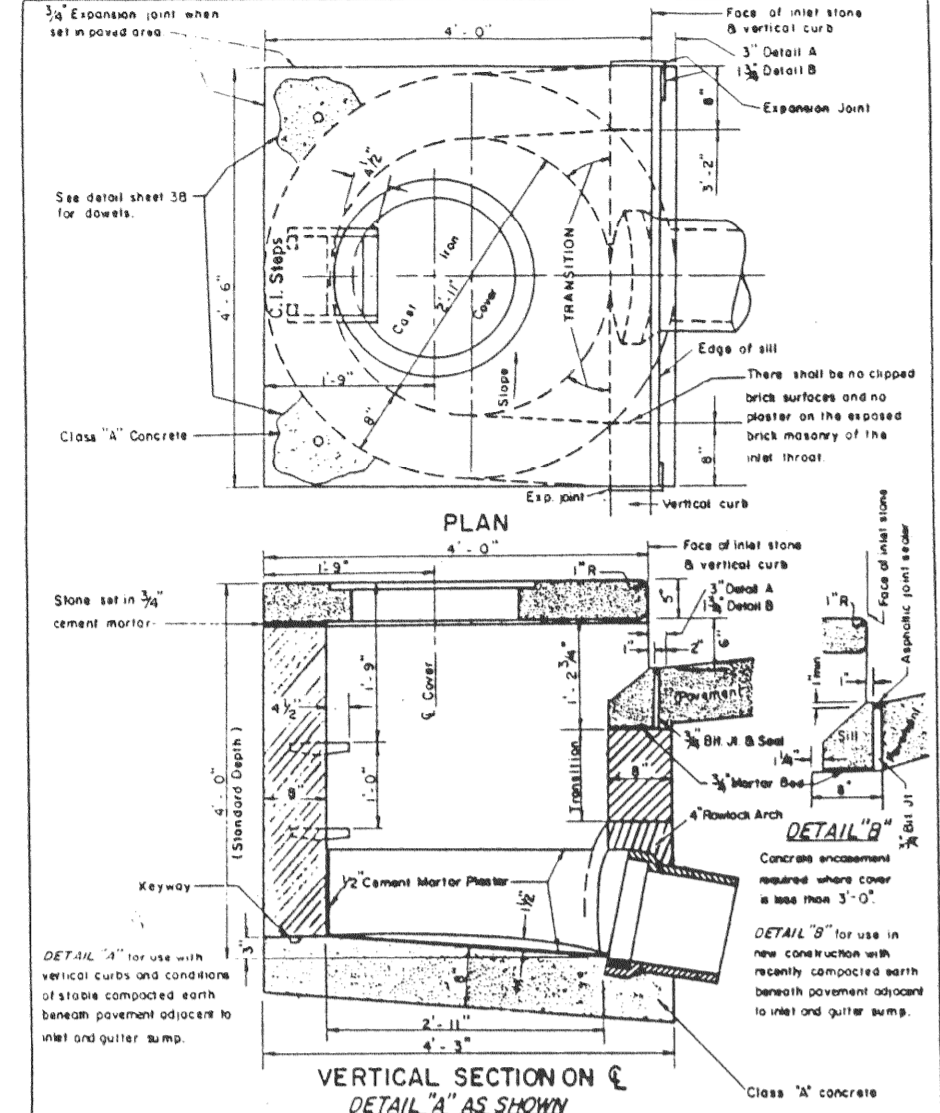
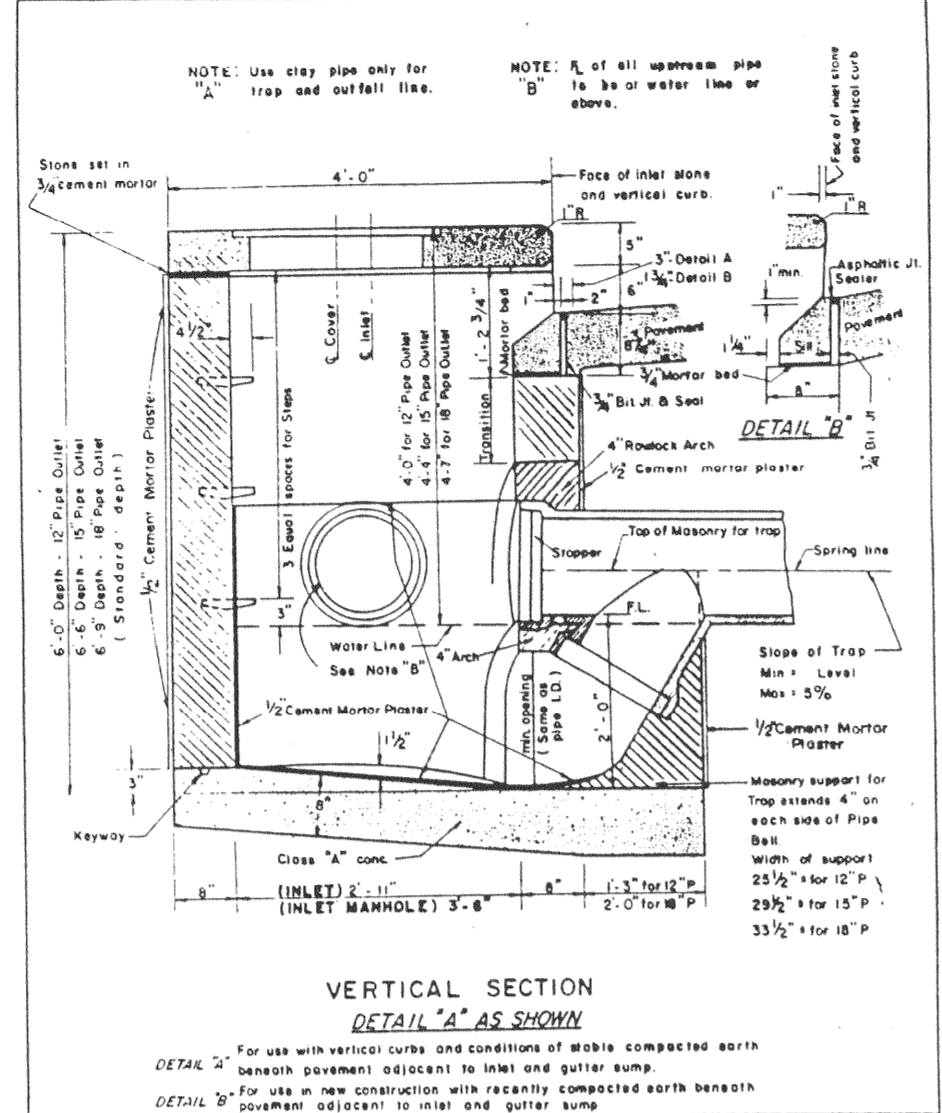


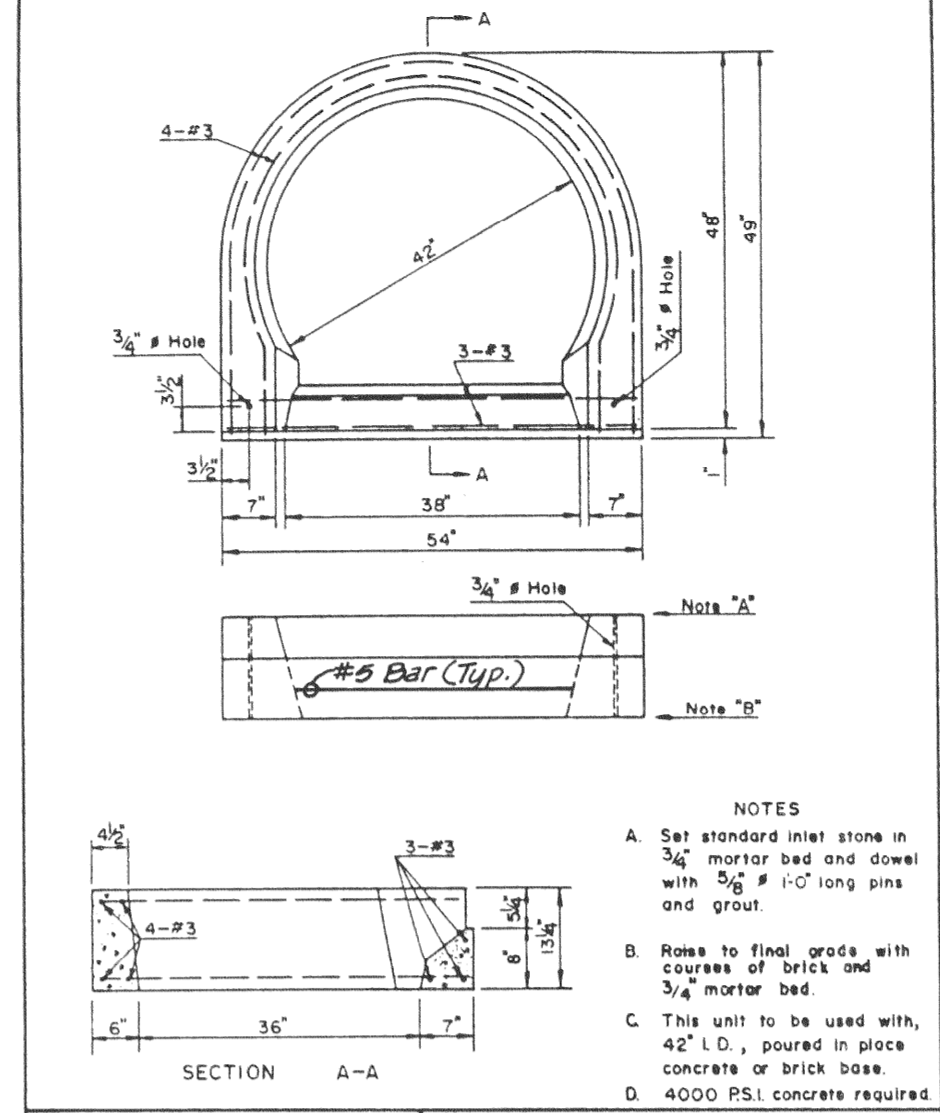
PRE-CAST CONCRETE MANHOLE FOR SEWERS 6" THROUGH 12"
METROPOLITAN ST. LOUIS SEWER DISTRICT
Standard Details of Sewer Construction
Dr. R.P.P. April 1984 Sheet 19
Ch. J.C.K.



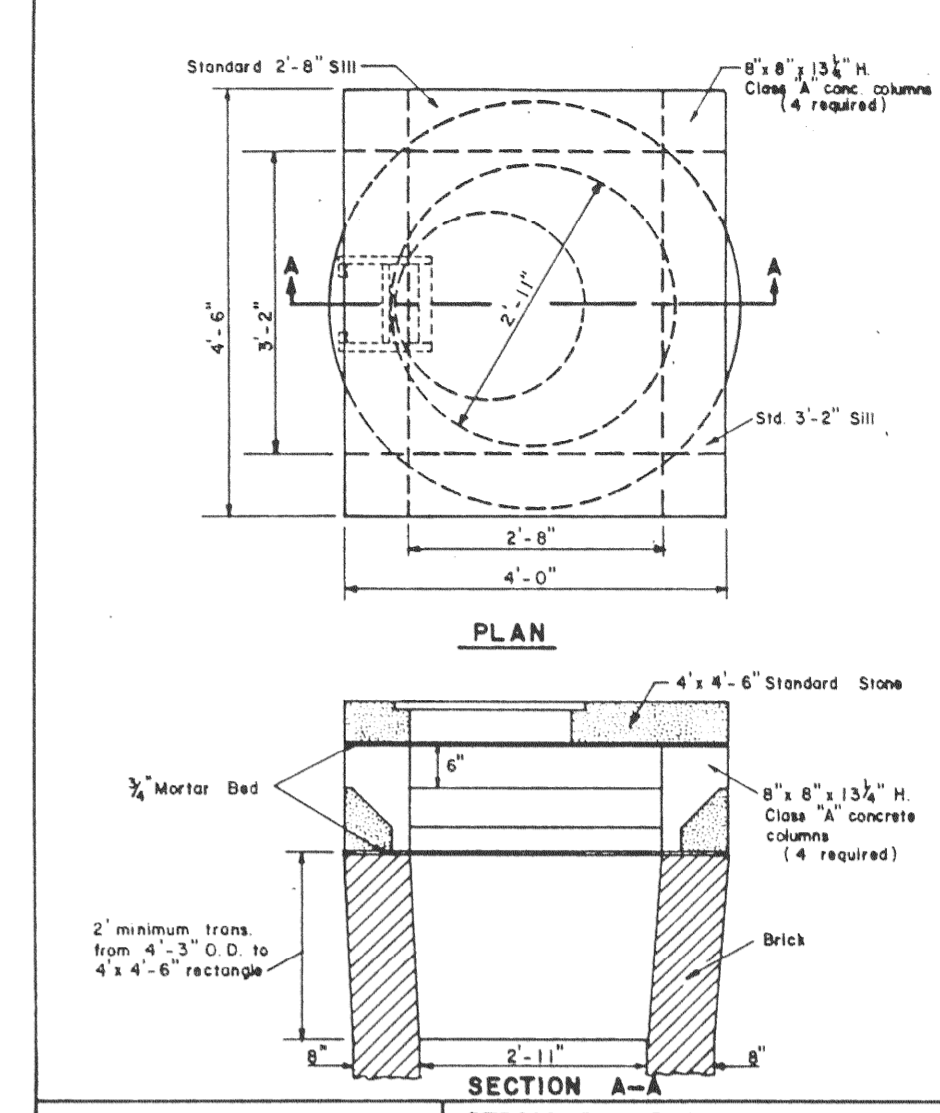
UNTRAPPED STREET INLET BRICK CONSTRUCTION
METROPOLITAN ST. LOUIS SEWER DISTRICT
Standard Details of Sewer Construction
Dr. R.P.P. April 1985 Sheet 20
Ch. J.C.K.



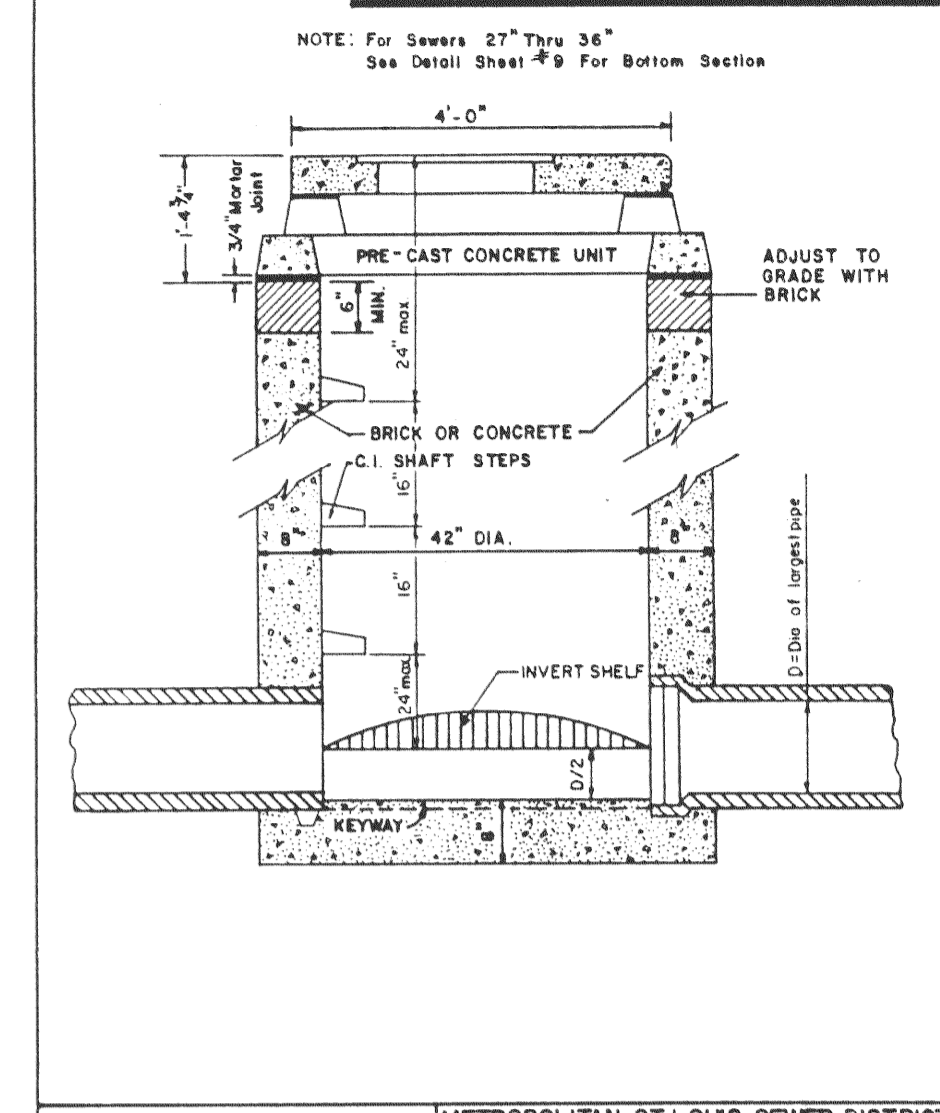
TRAPPED STREET INLET
METROPOLITAN ST. LOUIS SEWER DISTRICT
Standard Details of Sewer Construction
Dr. R.P.P. April 1985 Sheet 21
Ch. J.C.K.



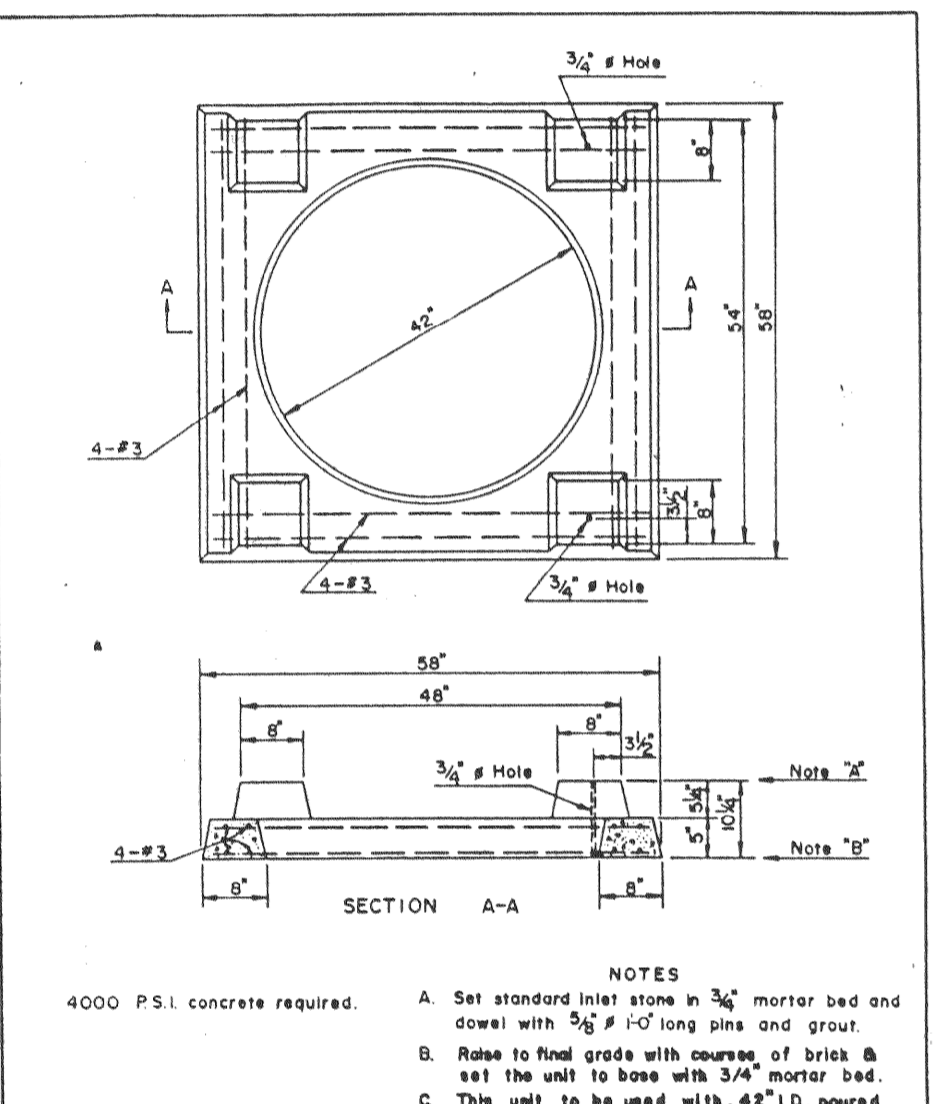
PRE-CAST CONCRETE UNIT FOR SINGLE CURB INLET
METROPOLITAN ST. LOUIS SEWER DISTRICT
Standard Details of Sewer Construction
Dr. R.P.P. April 1984 Sheet 22
Ch. J.C.K.



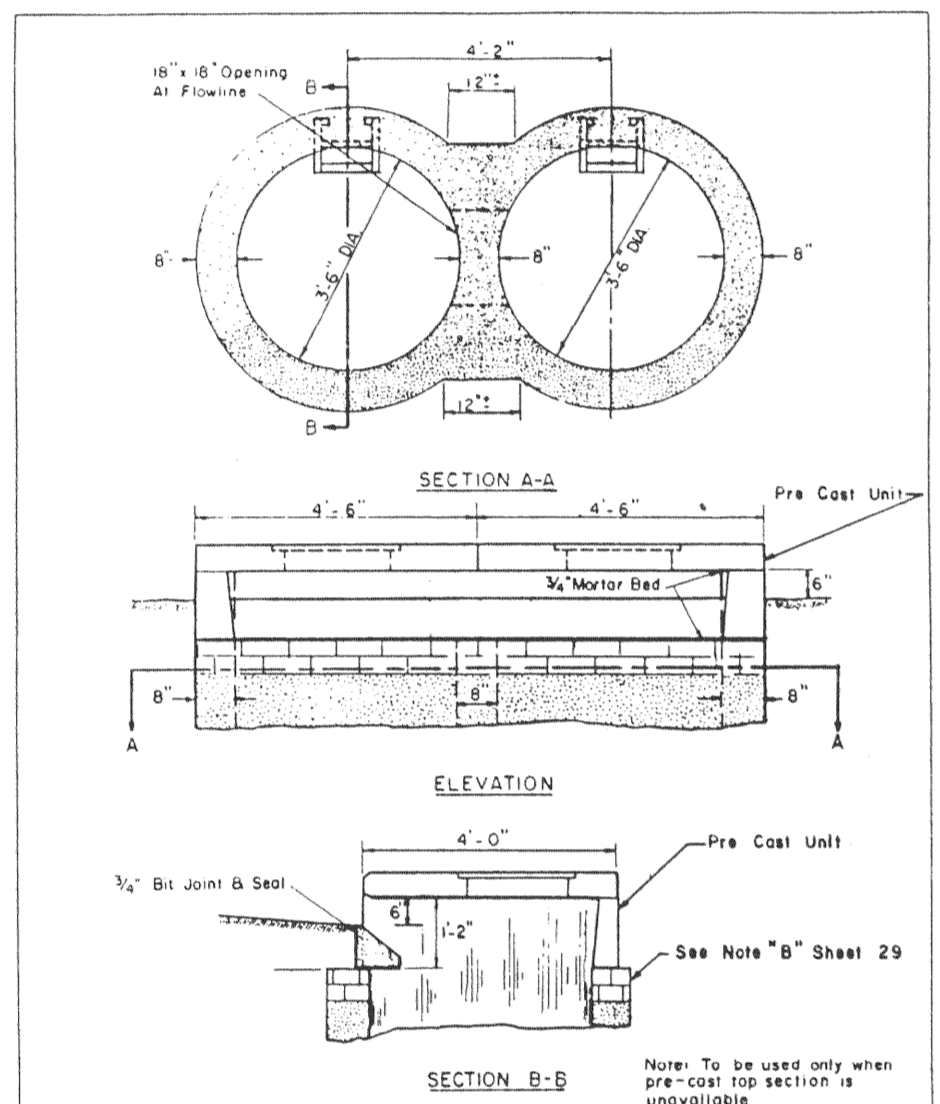
BRICK AREA INLET OPEN 4 SIDES
METROPOLITAN ST. LOUIS SEWER DISTRICT
Standard Details of Sewer Construction
Dr. R.P.P. April 1985 Sheet 23
Ch. J.C.K.



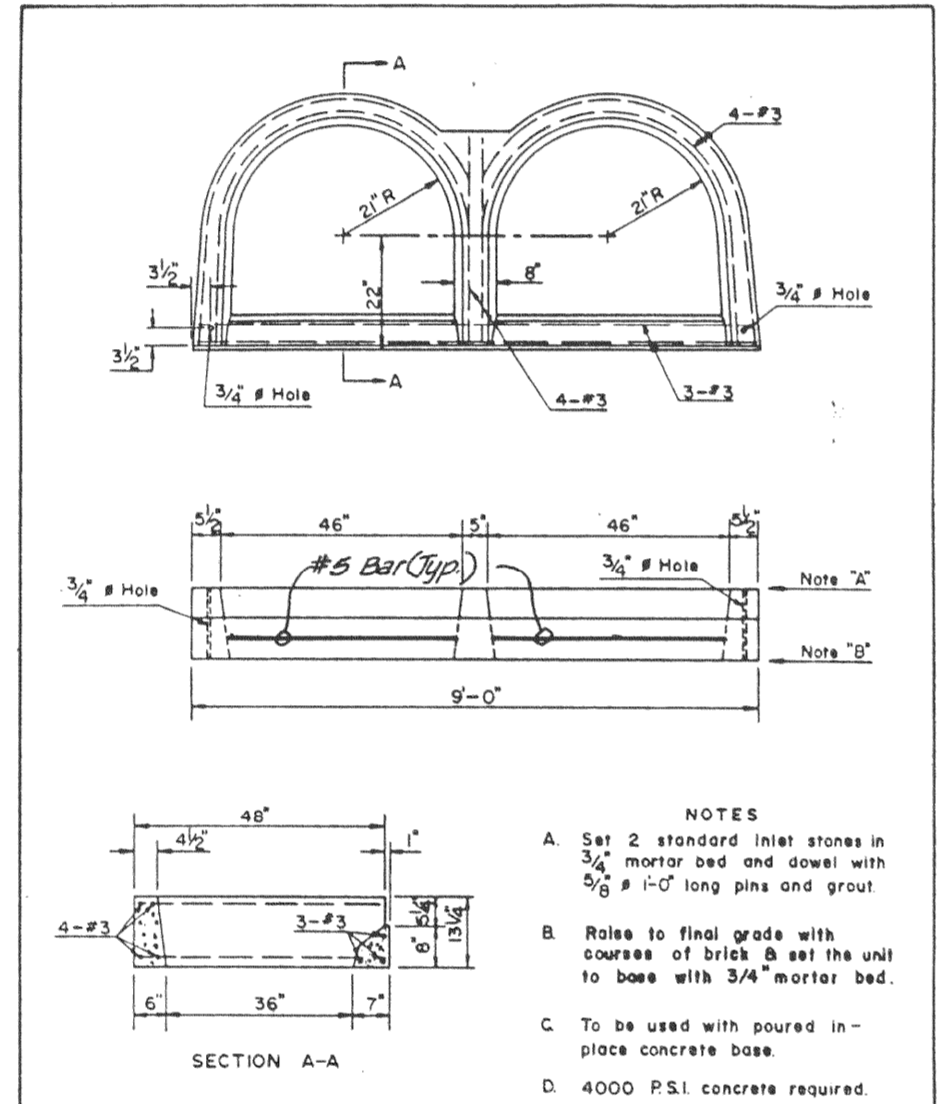
AREA INLET (12" thru 24")
METROPOLITAN ST. LOUIS SEWER DISTRICT
Standard Details of Sewer Construction
Dr. S.A.M. Ch. DRM. JAN. 1984 Sheet 24



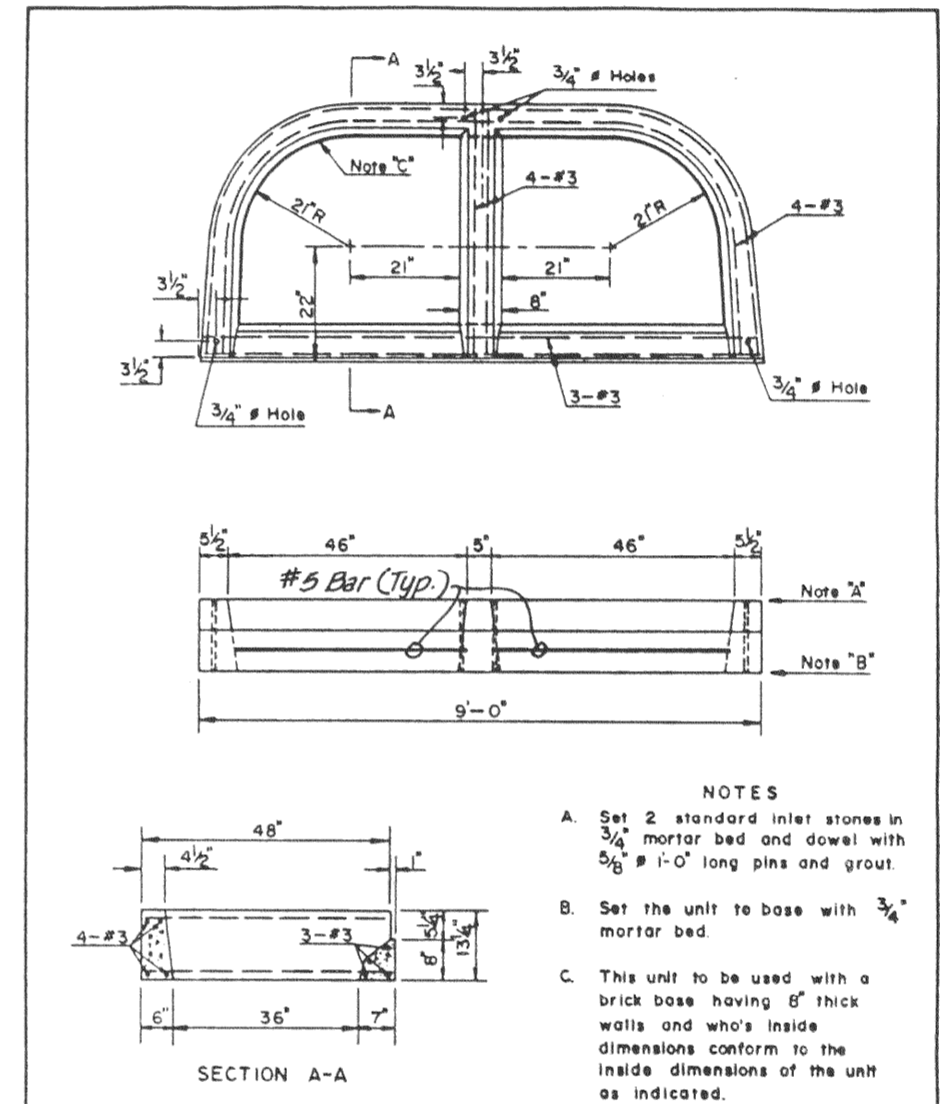
PRE-CAST CONCRETE UNIT FOR 4 WAY AREA INLET
METROPOLITAN ST. LOUIS SEWER DISTRICT
Standard Details of Sewer Construction
Dr. R.P.P. April 1985 Sheet 25
Ch. J.C.K.



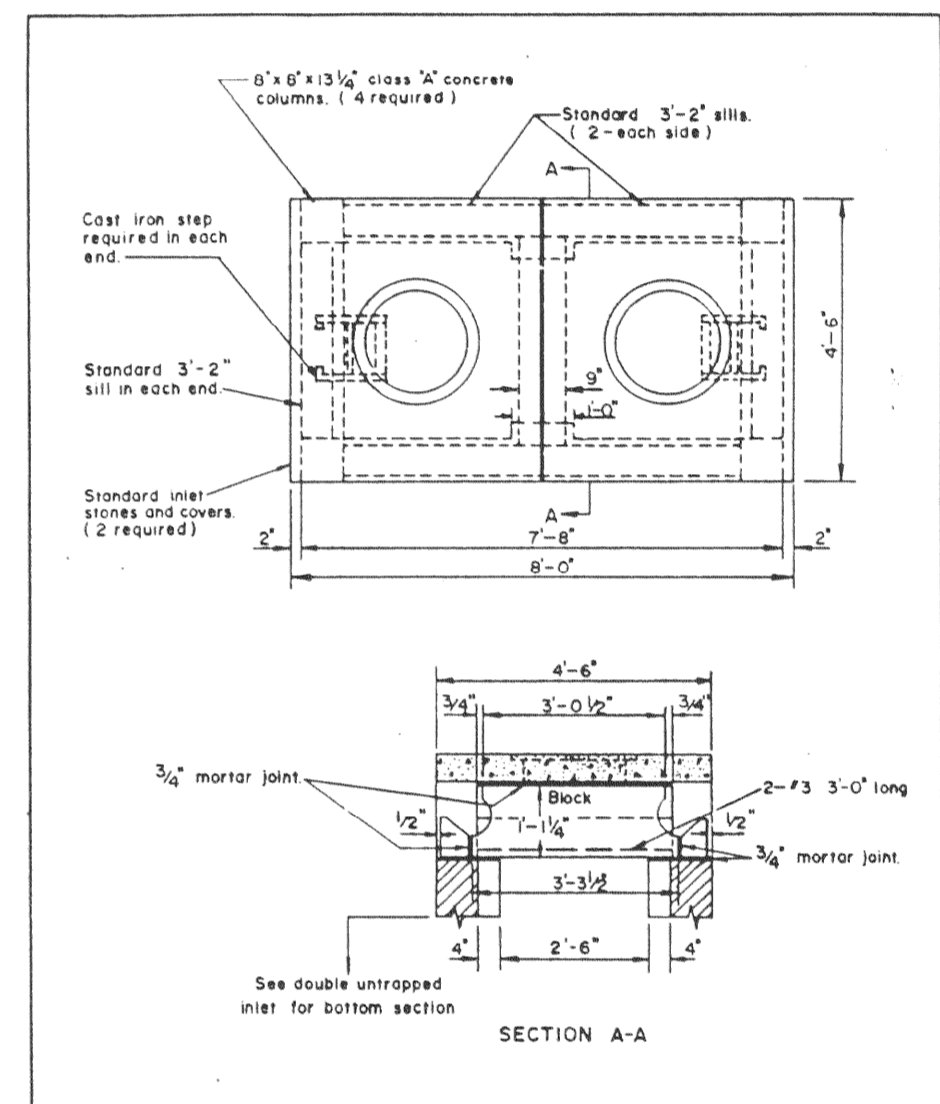
CONCRETE DOUBLE STREET INLET W/PRE CAST TOP UNIT
METROPOLITAN ST. LOUIS SEWER DISTRICT
Standard Details of Sewer Construction
Dr. R.P.P. June 1984 Sheet 26
Ch. J.C.K.



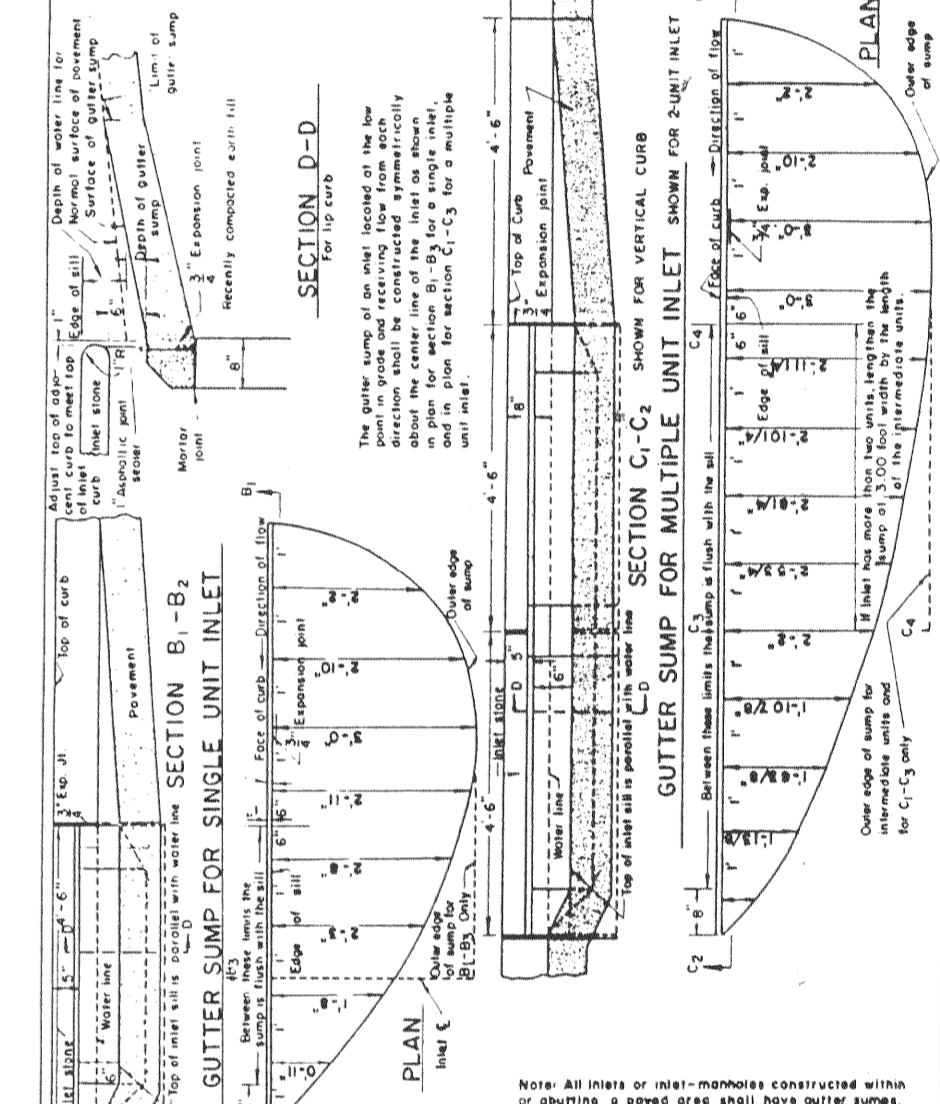
PRE-CAST CONCRETE UNIT FOR DOUBLE CURB INLET (WITH CONCRETE BASE)
METROPOLITAN ST. LOUIS SEWER DISTRICT
Standard Details of Sewer Construction
Dr. R.P.P. April 1985 Sheet 29
Ch. J.C.K.



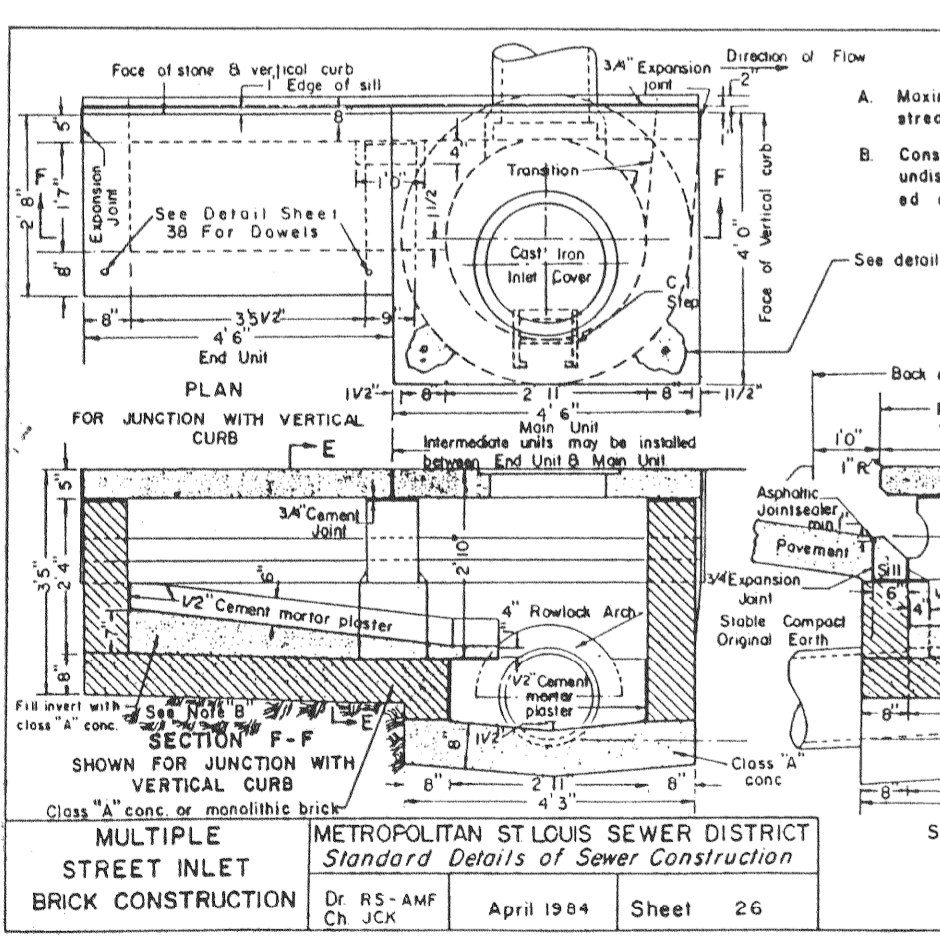
PRE-CAST CONCRETE UNIT FOR DOUBLE CURB INLET (WITH BRICK BASE)
METROPOLITAN ST. LOUIS SEWER DISTRICT
Standard Details of Sewer Construction
Dr. R.P.P. April 1979 Sheet 30
Ch. J.C.K.



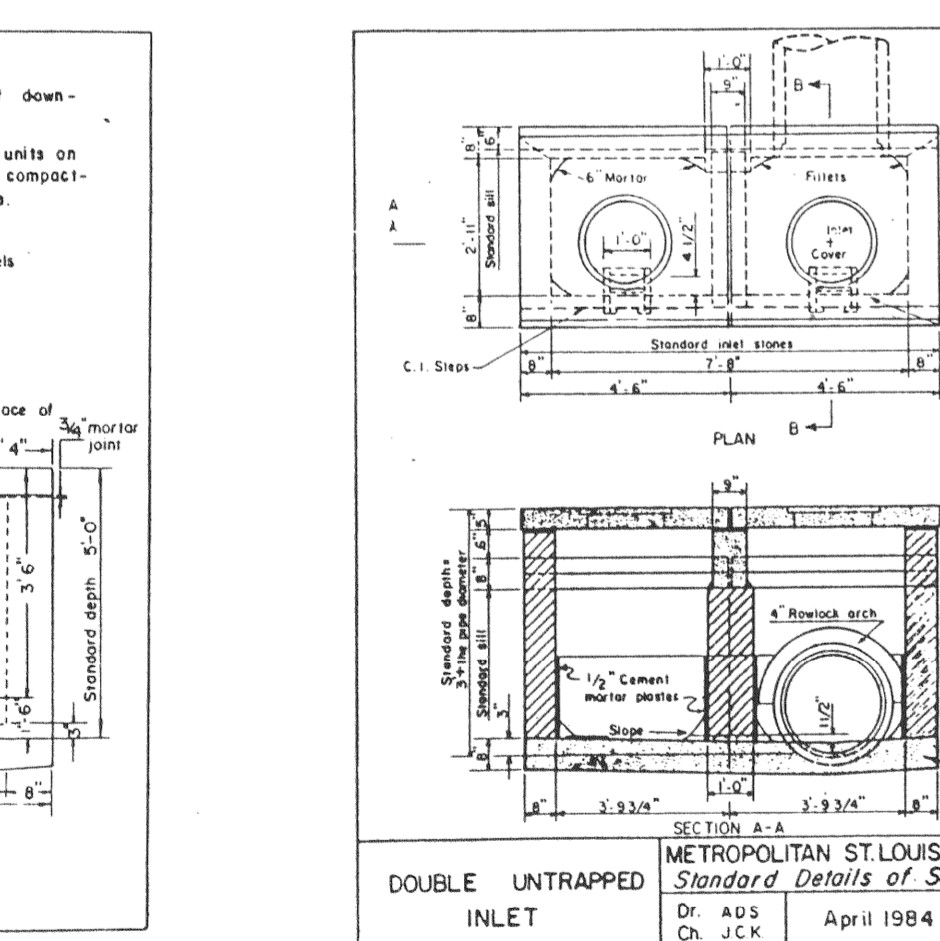
DOUBLE AREA INLET OPEN 4 SIDES
METROPOLITAN ST. LOUIS SEWER DISTRICT
Standard Details of Sewer Construction
Dr. R.P.P. April 1985 Sheet 31
Ch. J.C.K.



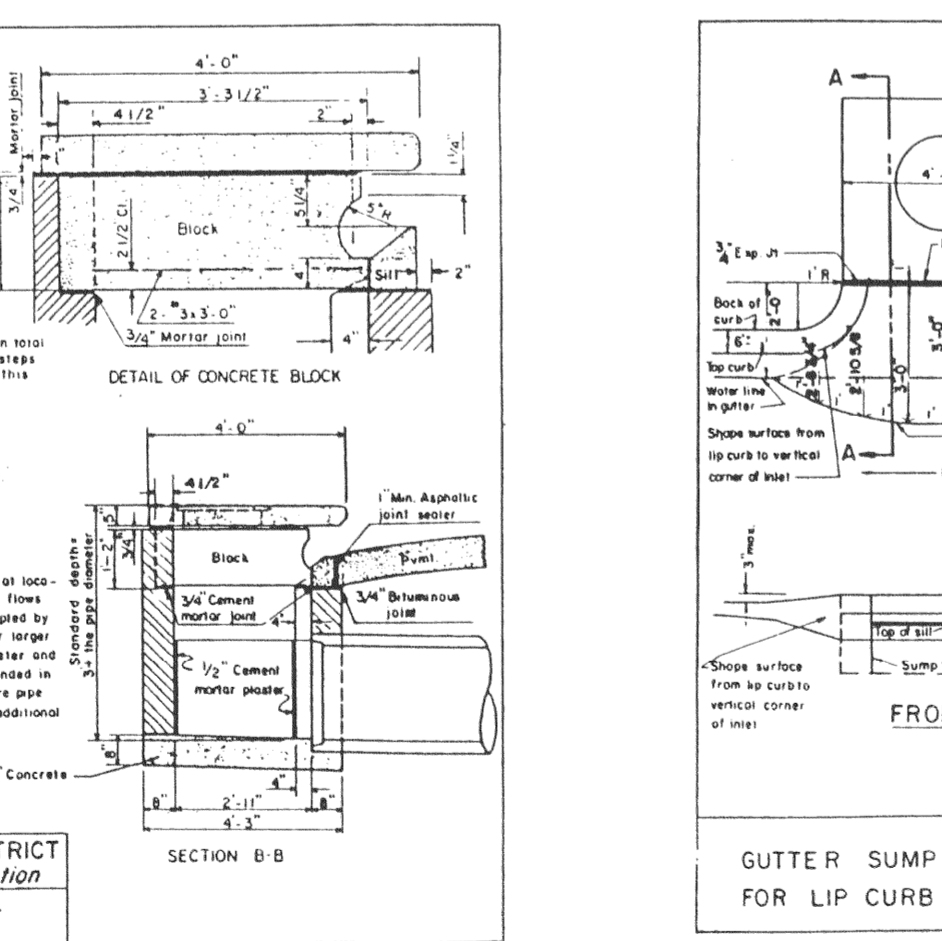
GUTTER SUMPS FOR MULTIPLE UNITS AND SINGLE UNIT INLET
METROPOLITAN ST. LOUIS SEWER DISTRICT
Standard Details of Sewer Construction
Dr. R.P.P. MAY 1985 Sheet 32
Ch. J.C.K.



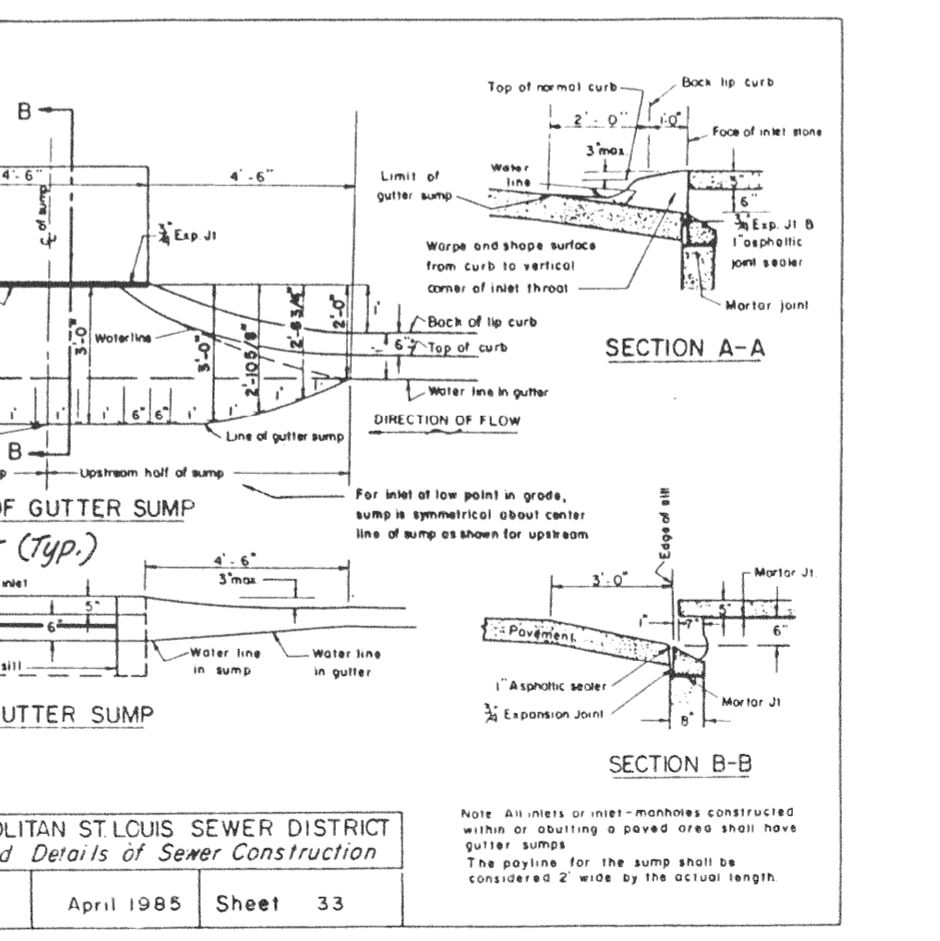
MULTIPLE STREET INLET BRICK CONSTRUCTION
METROPOLITAN ST. LOUIS SEWER DISTRICT
Standard Details of Sewer Construction
Dr. R.P.P. April 1984 Sheet 26
Ch. J.C.K.



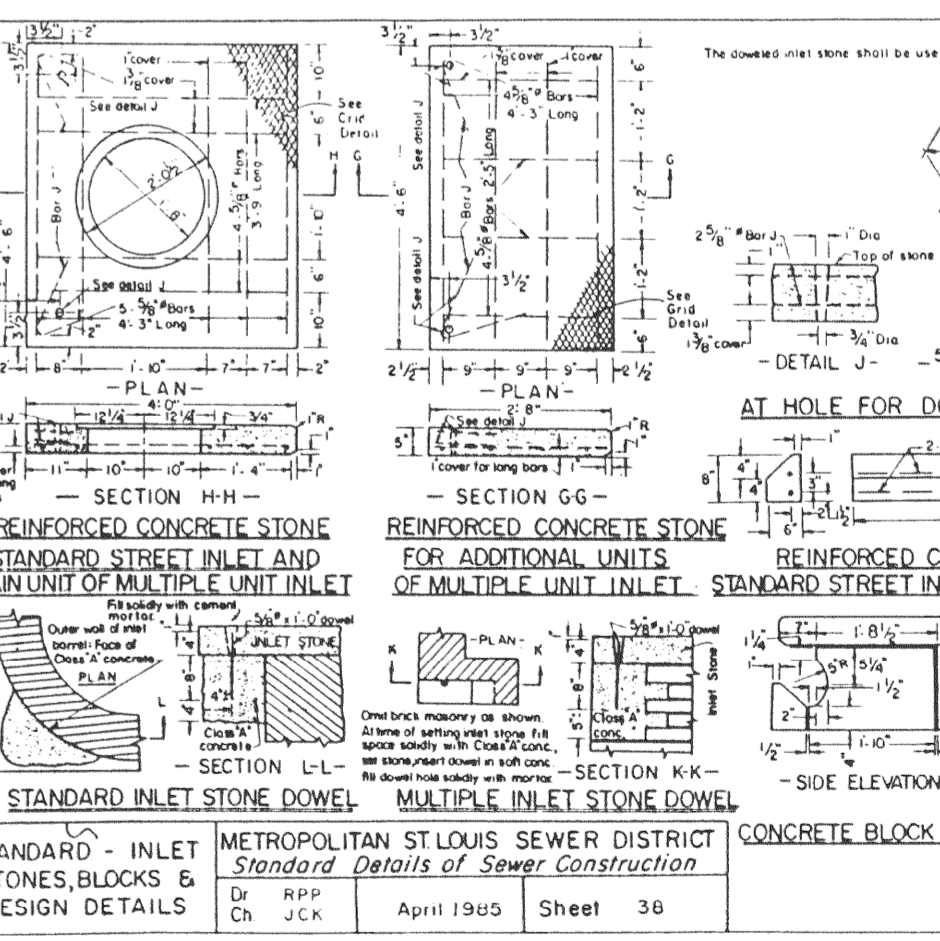
DOUBLE UNTRAPPED INLET
METROPOLITAN ST. LOUIS SEWER DISTRICT
Standard Details of Sewer Construction
Dr. A.D.S. April 1984 Sheet 27
Ch. J.C.K.



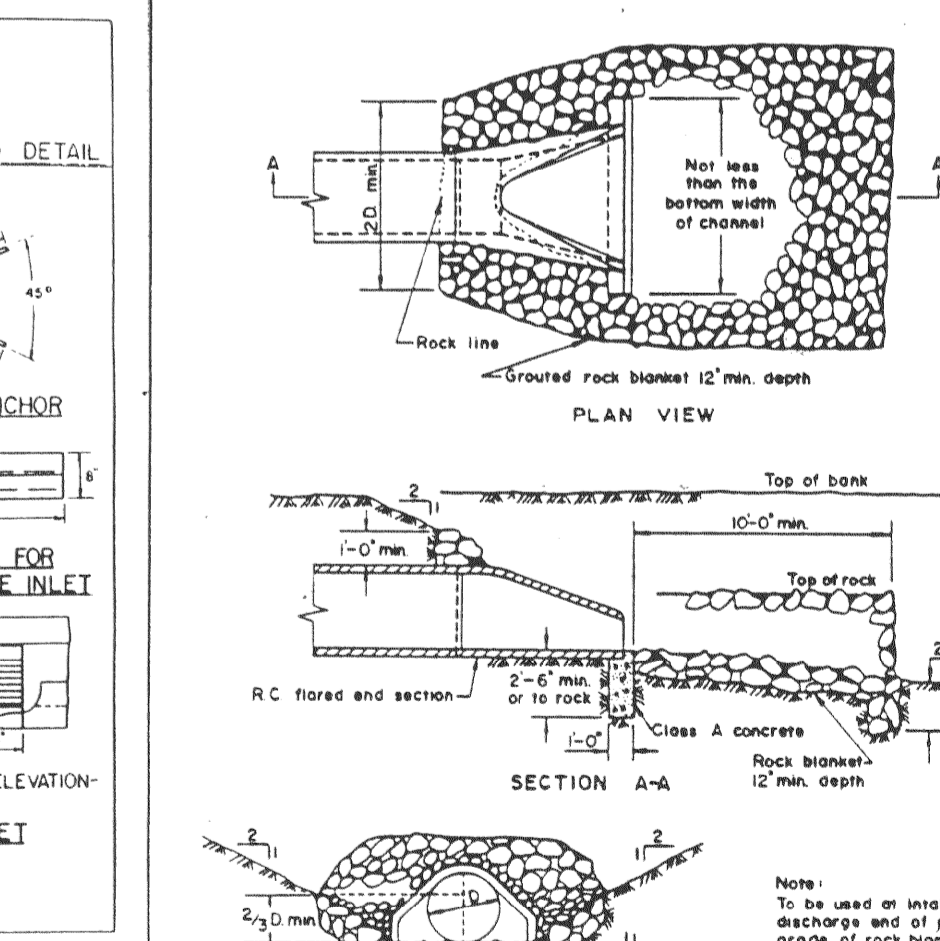
GUTTER SUMP FOR LIP CURB
METROPOLITAN ST. LOUIS SEWER DISTRICT
Standard Details of Sewer Construction
Dr. R.P.P. April 1985 Sheet 33
Ch. J.C.K.



GUTTER SUMP FOR LIP CURB
METROPOLITAN ST. LOUIS SEWER DISTRICT
Standard Details of Sewer Construction
Dr. R.P.P. April 1985 Sheet 33
Ch. J.C.K.



STANDARD - INLET STONES, BLOCKS & DESIGN DETAILS
METROPOLITAN ST. LOUIS SEWER DISTRICT
Standard Details of Sewer Construction
Dr. R.P.P. April 1985 Sheet 36
Ch. J.C.K.



FLARED END SECTION
METROPOLITAN ST. LOUIS SEWER DISTRICT
Standard Details of Sewer Construction
Dr. R.P.P. April 1979 Sheet 48
Ch. J.C.K.

NOTE: Add #5 Bar to throat of all inlets.