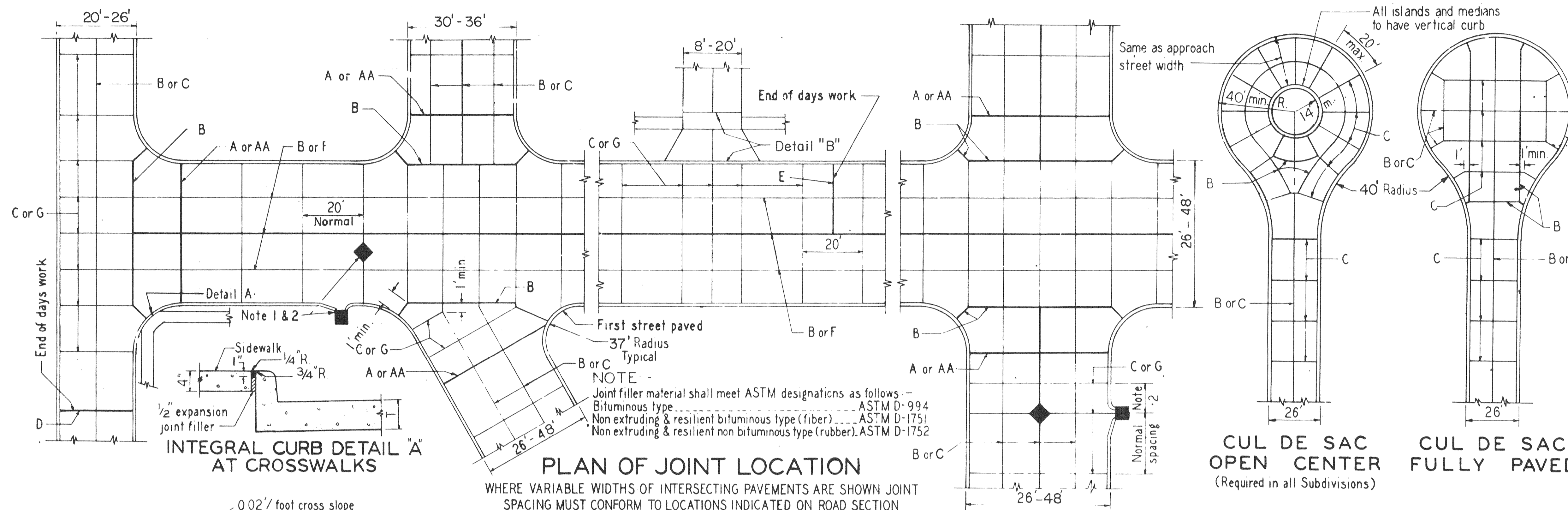


INTEGRAL CURB PAVEMENT TYPICAL SECTIONS AND DETAILS

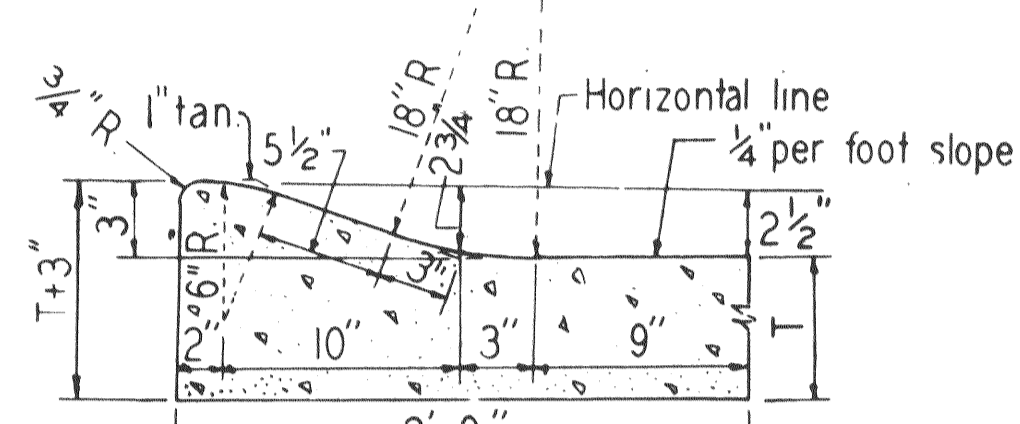


INTEGRAL CURB DETAIL 'A' AT CROSSWALKS

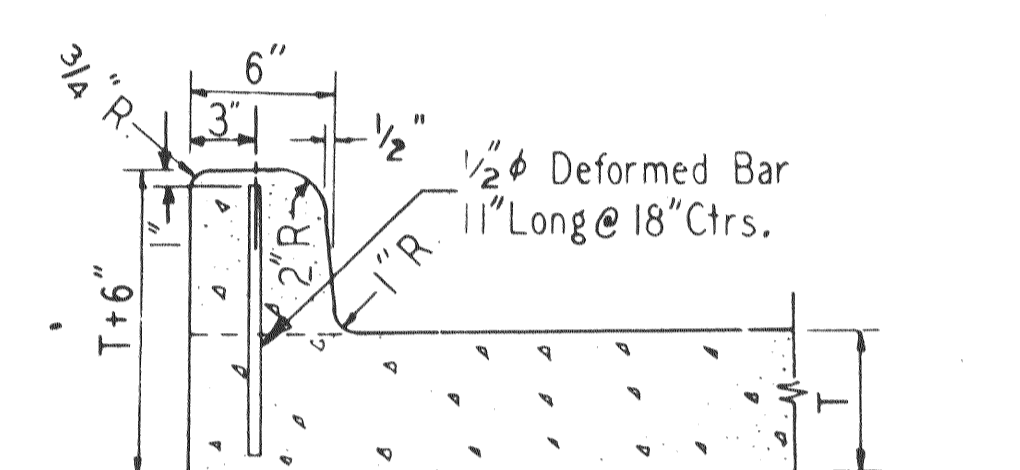
PLAN OF JOINT LOCATION

WHERE VARIABLE WIDTHS OF INTERSECTING PAVEMENTS ARE SHOWN JOINT SPACING MUST CONFORM TO LOCATIONS INDICATED ON ROAD SECTION

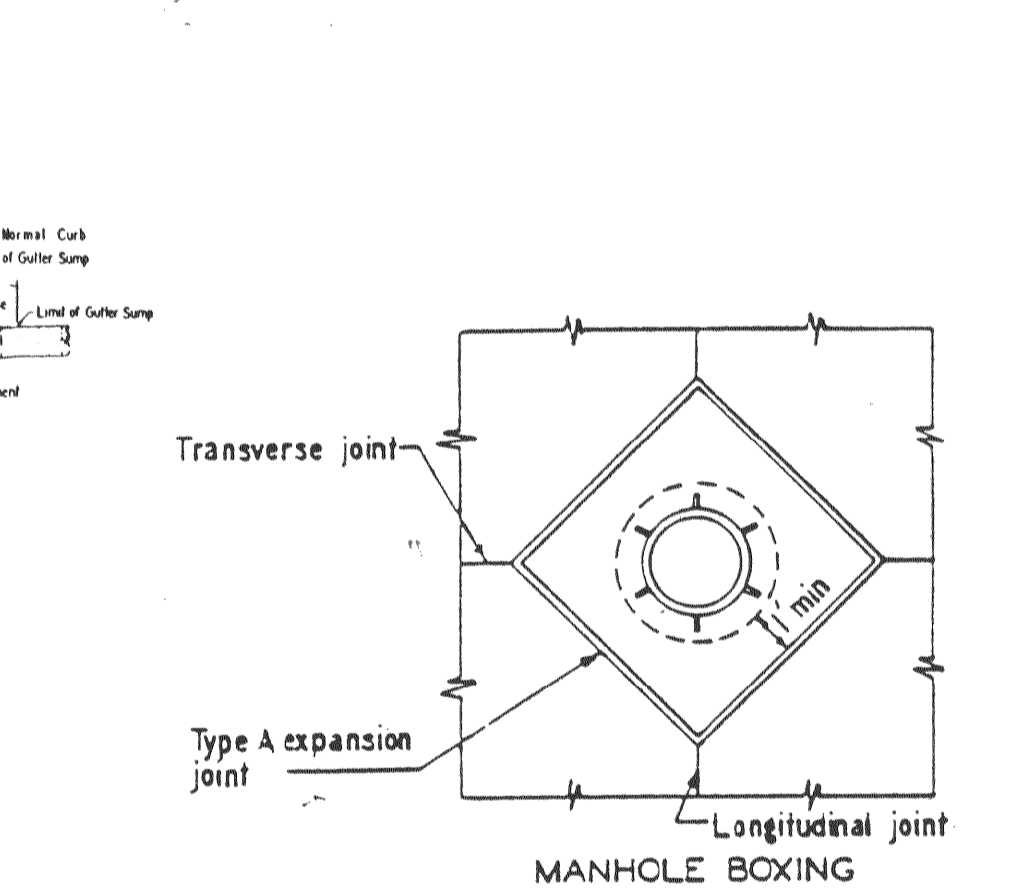
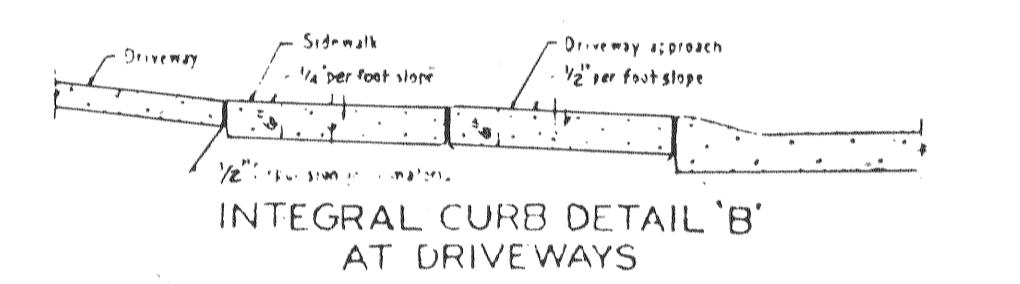
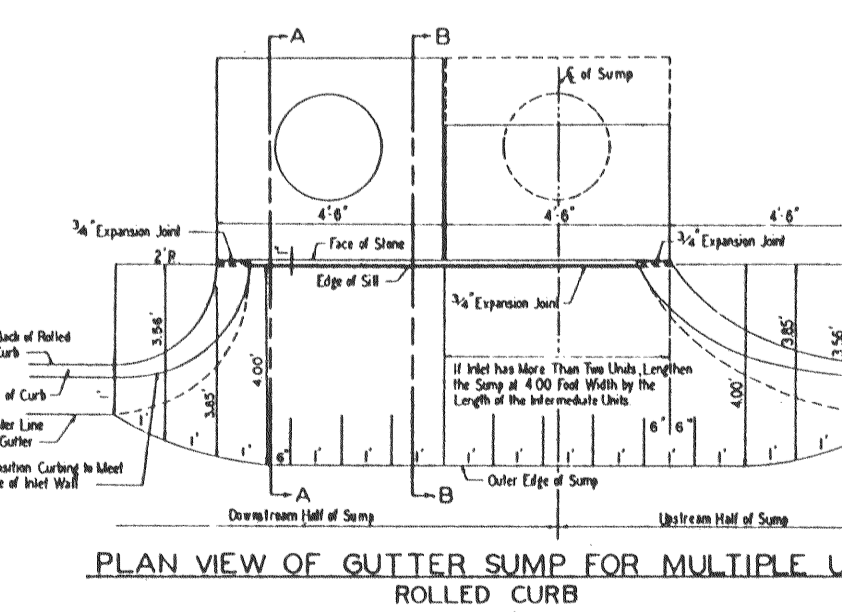
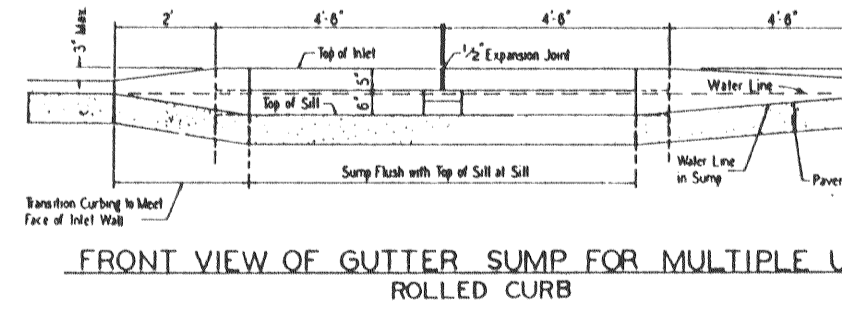
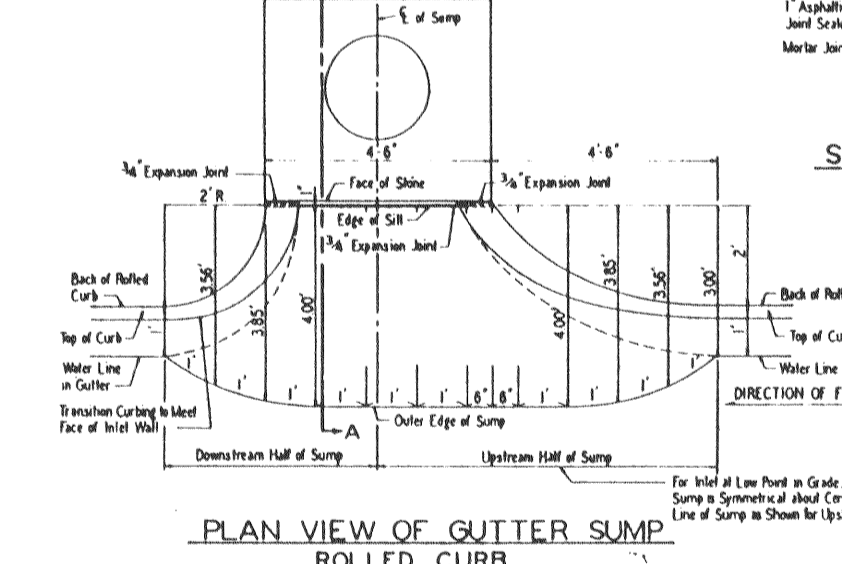
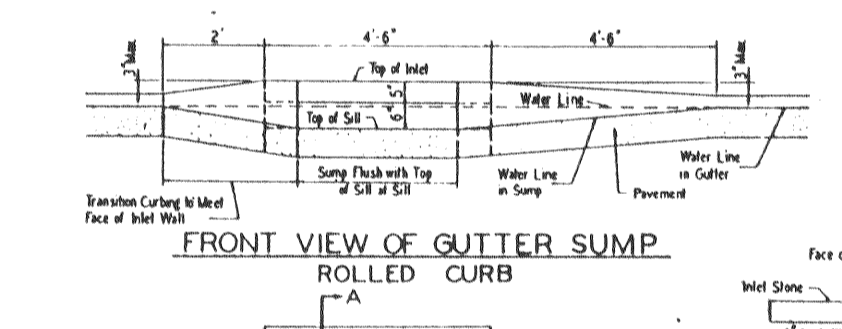
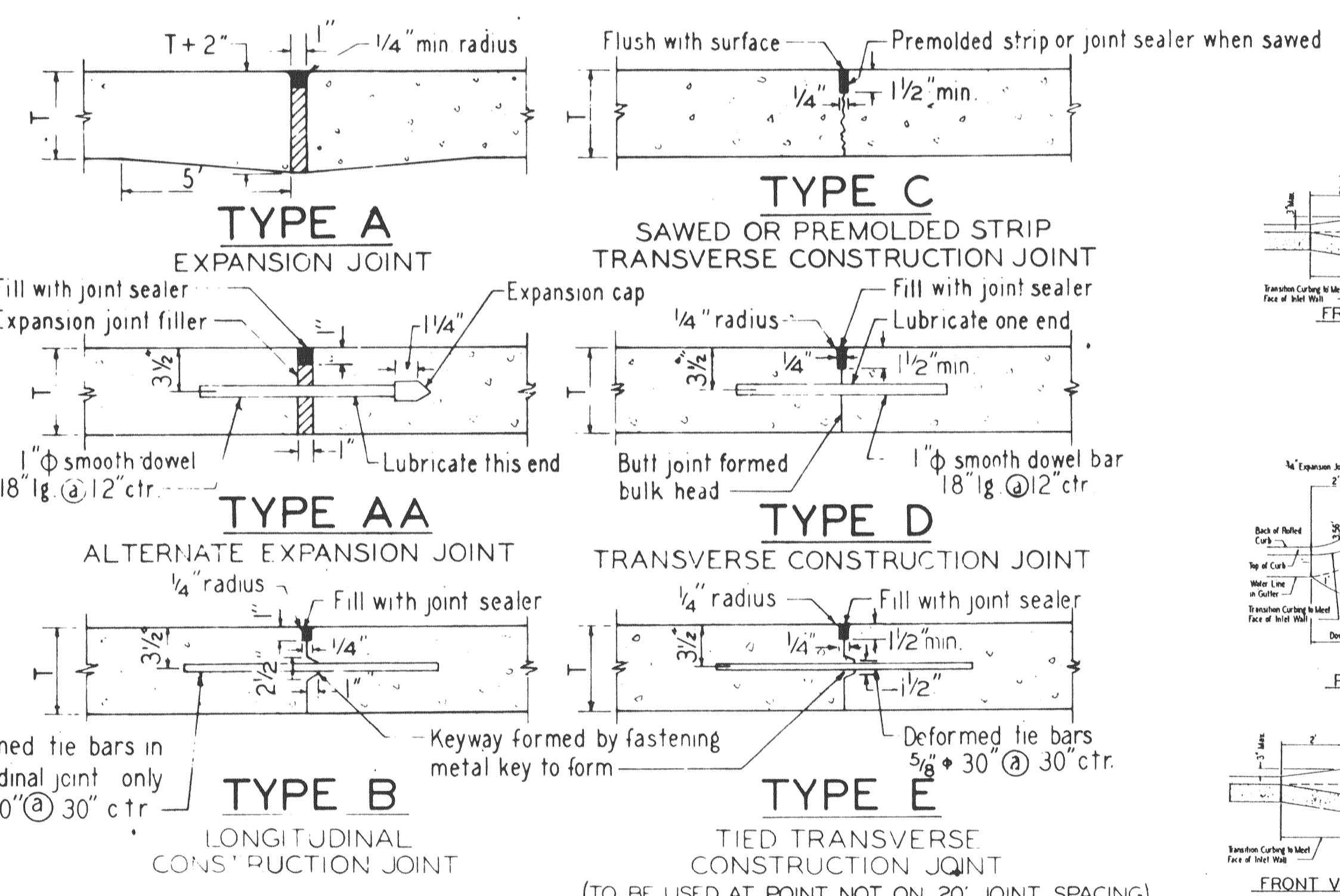
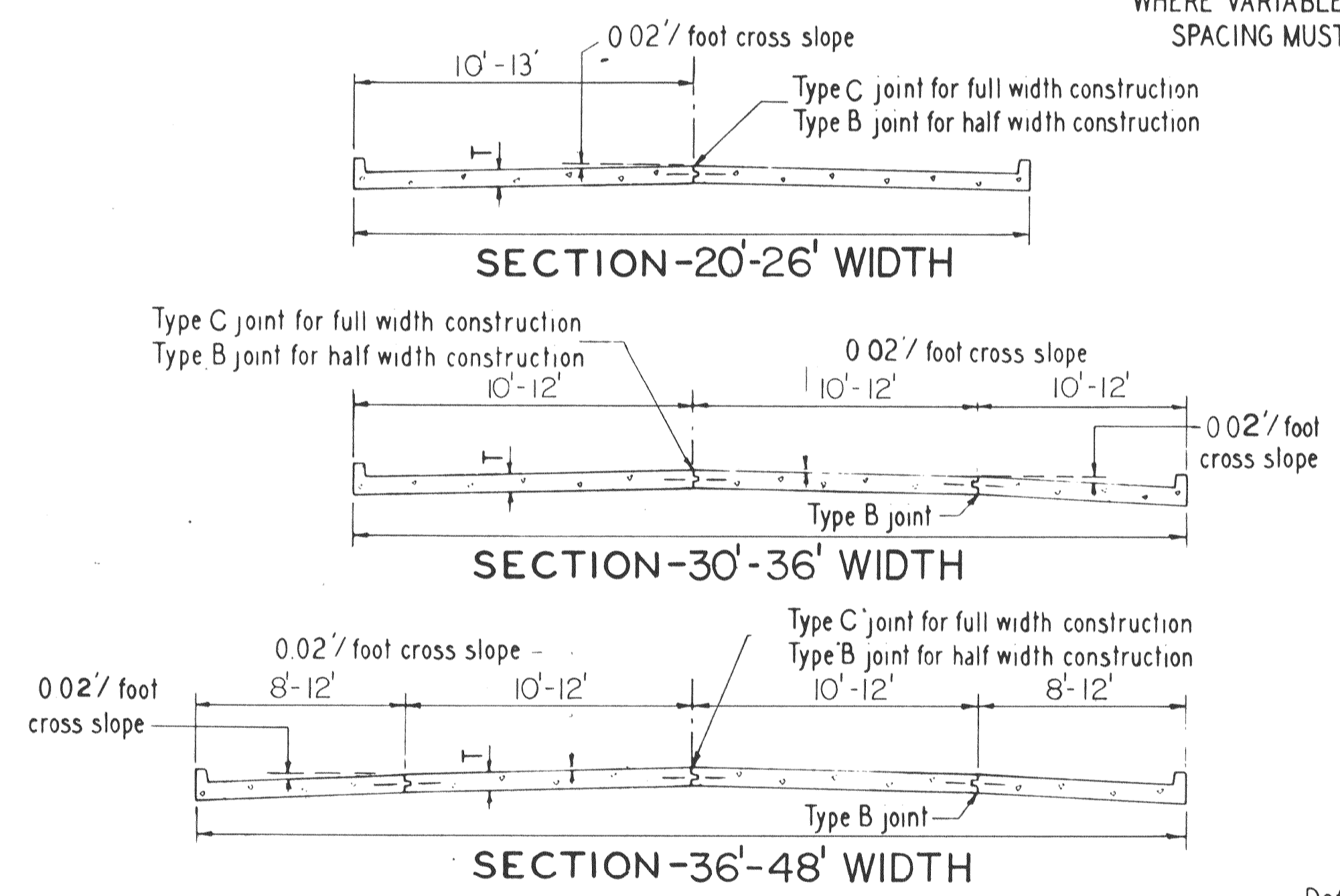
CUL DE SAC OPEN CENTER
CUL DE SAC FULLY PAVED
(Required in all Subdivisions)



INTEGRAL ROLLED CURB



INTEGRAL VERTICAL CURB



- 5) Minimum Thickness for Pavement is:
- | | | |
|--------------------------------|--------------|----|
| Local or Minor Streets | CONCRETE (T) | 6" |
| Major or Industrial Streets | | 7" |
| Arterial or Industrial Streets | | 8" |
- Base material under pavement will be made with 4 inches of Rolled Stone Base.
- 6) For minor Rural or Urban and Minor Subdivision pavements (6" thick concrete), 1/2" diameter deformed tie bars 1g. @ 30" ctr. shall be used for TYPE B longitudinal joints.
- 7) Refer to Exhibit 13A for joint and bar requirements for different street classifications. Note that width and location of each required portion of the pavement may change the type and location of joint required.
- 8) Transverse or longitudinal construction joints in slip formed pavement may be made with groover of tool, if such device has been approved in advance by the St. Charles County Highway Department.

- General Notes:
- All catch basins shall be separated from the pavement and curb by expansion joint material extending completely through curb and slab. Manhole castings within the pavement limits shall be boxed as shown in the "Sewer Construction Details".
 - When a joint falls within 5 ft. of or contacts basins, manholes, or other structures, shorten one or more panels either side of opening to permit joint to fall on round structures and at or between corners of rectangular structures.
 - Driveway configurations are shown in the "Entrance Construction Details".
 - Construction joint and dowel bars may be omitted when curb is poured integral with pavement.

REVISIONS	3-73
NEW	1-70