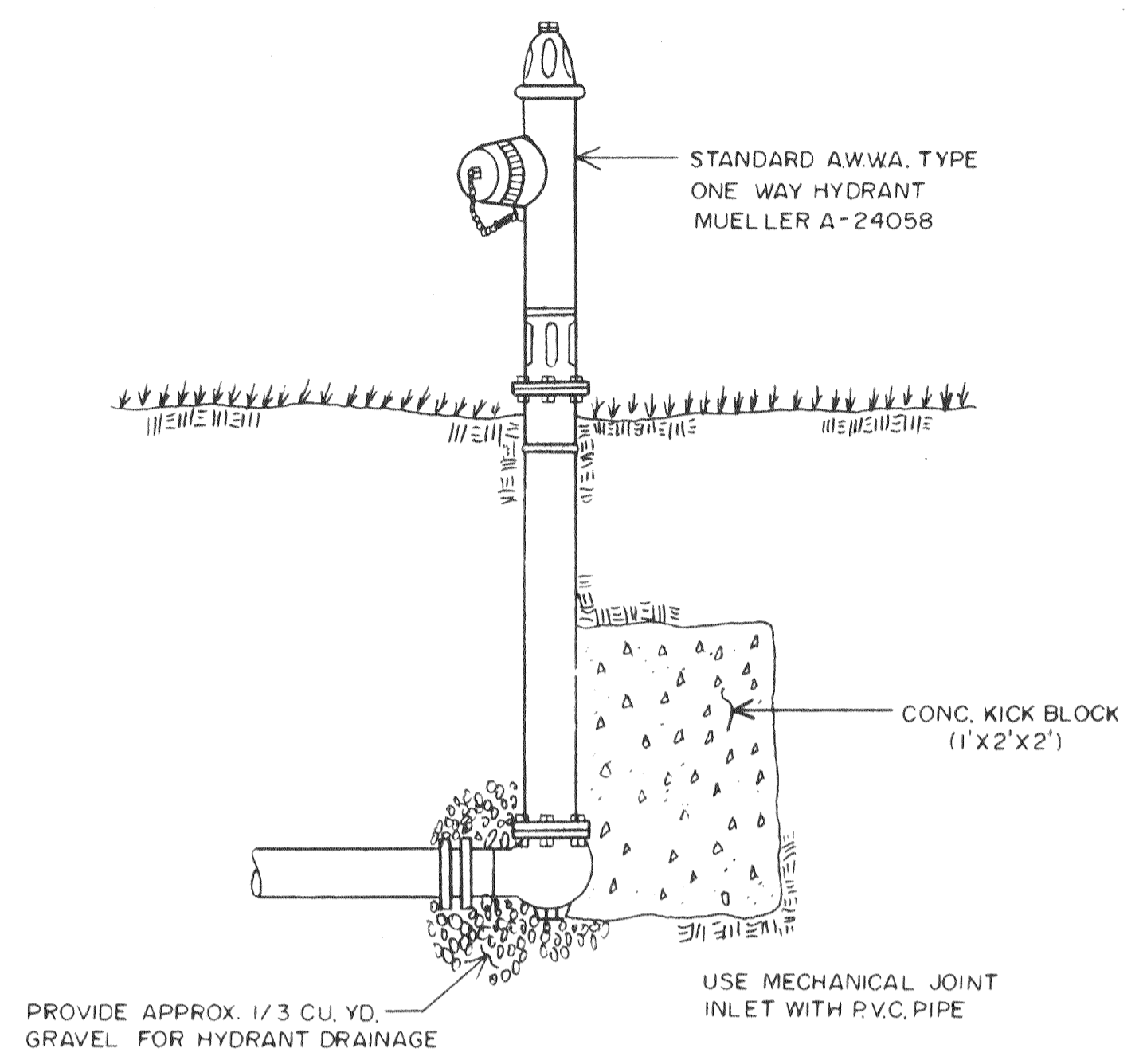
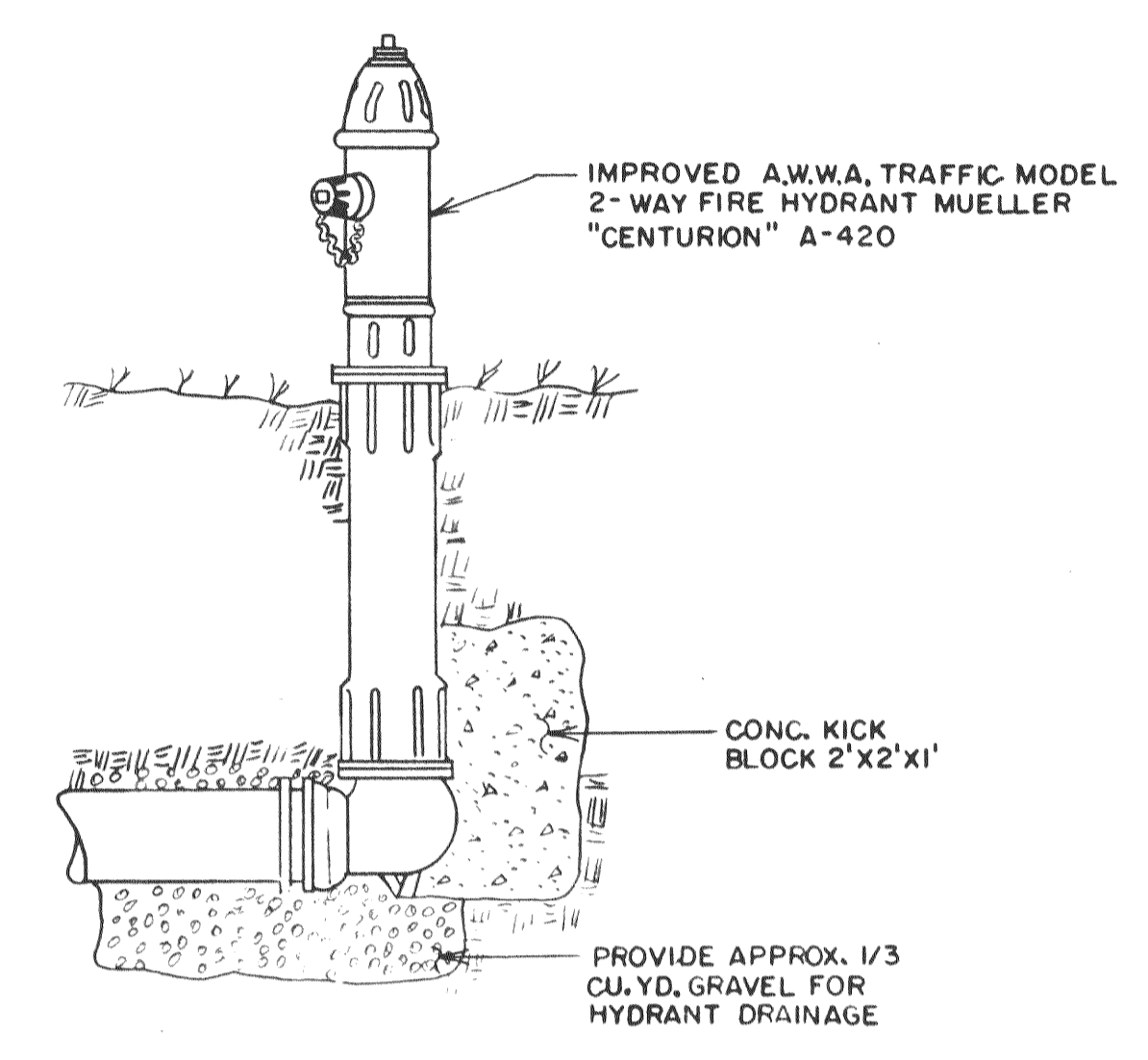


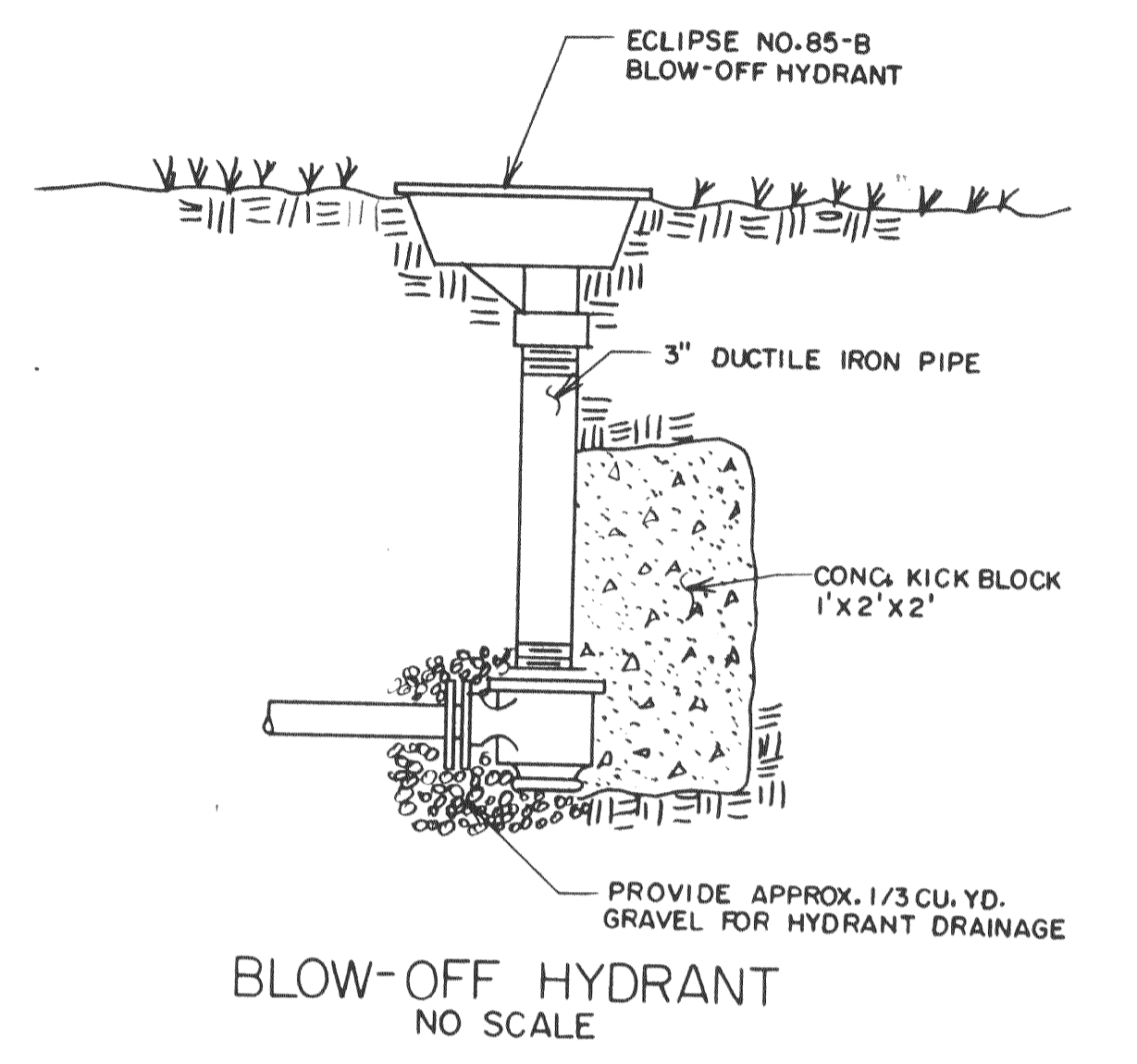
FIRE HYDRANT INSTALLATION DETAIL  
NO SCALE



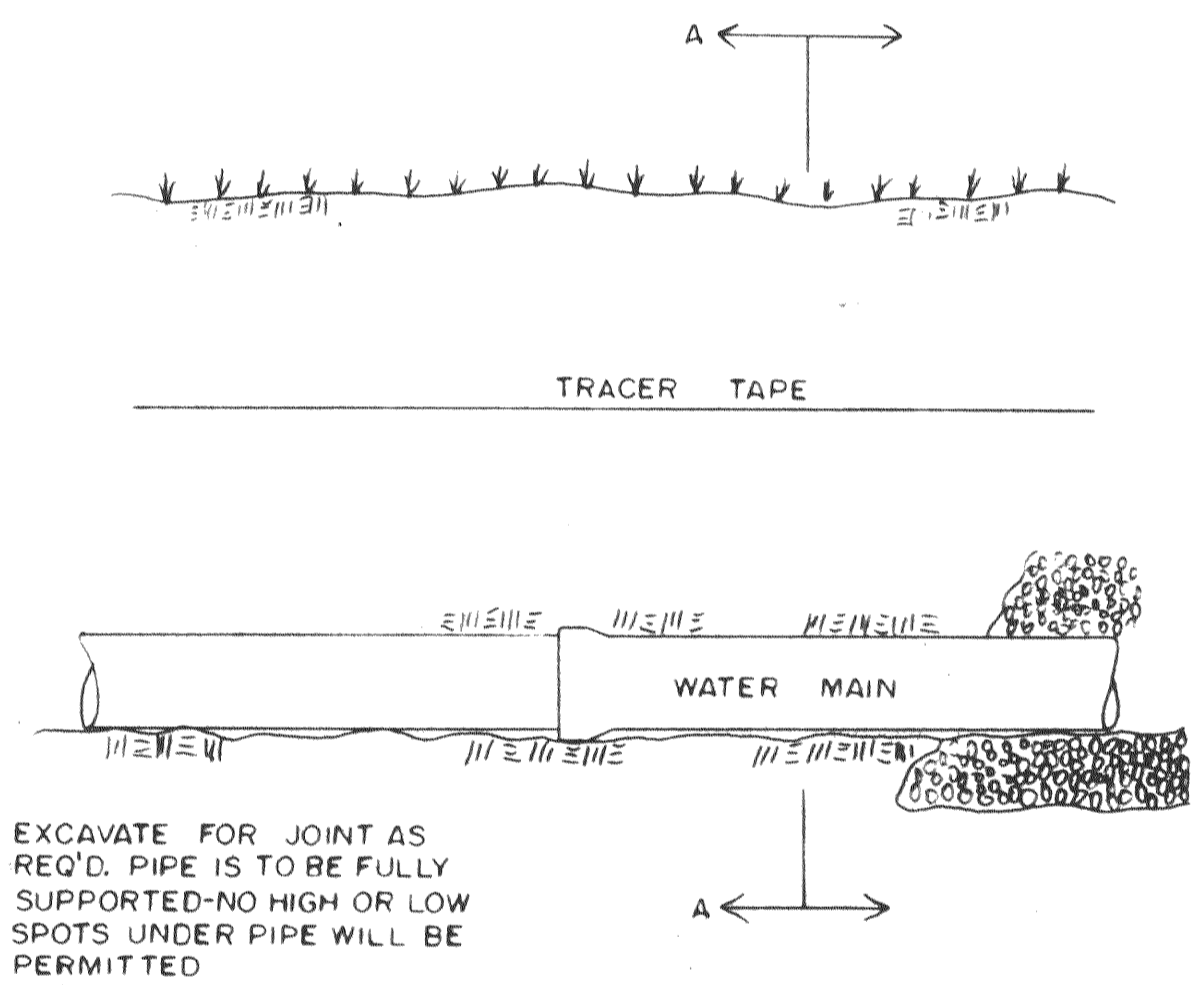
FLUSHING HYDRANT  
NO SCALE



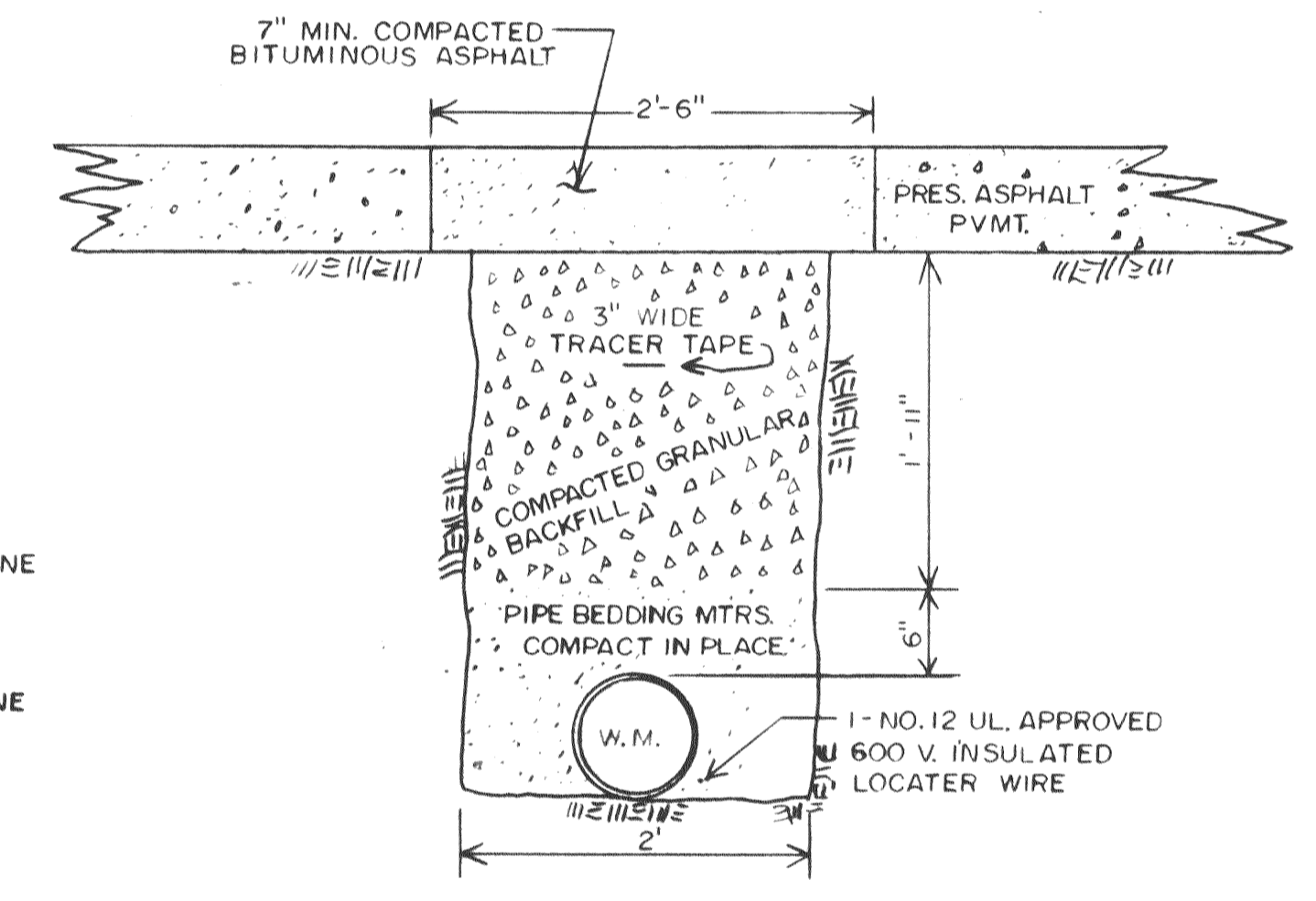
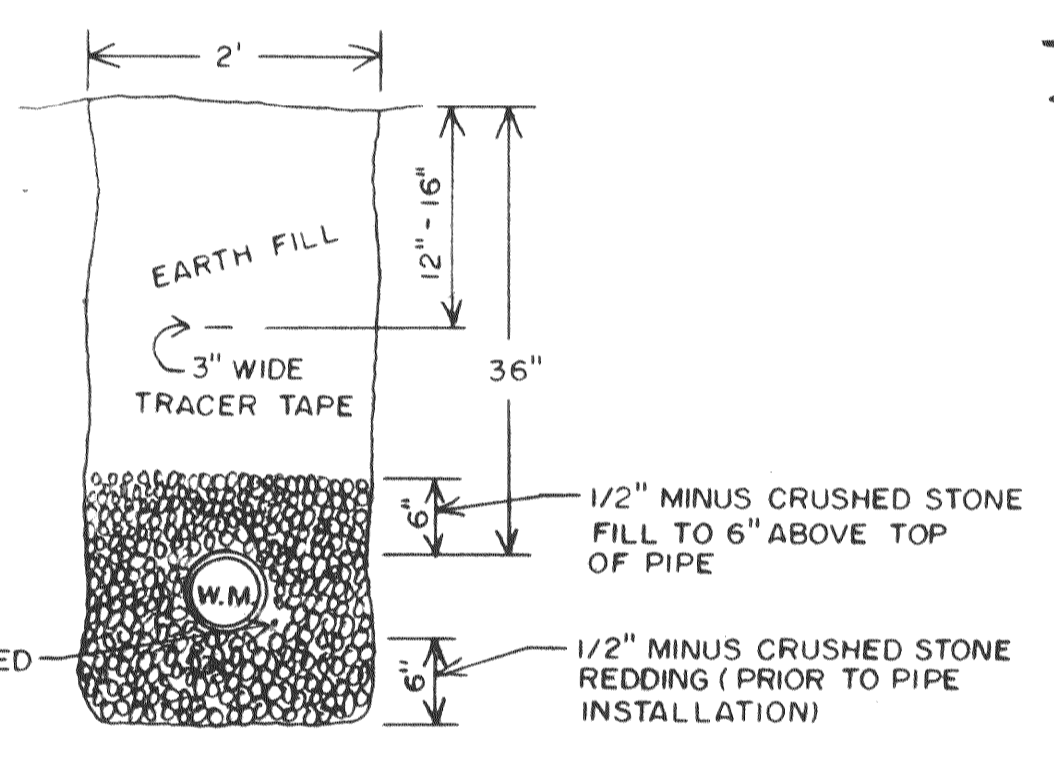
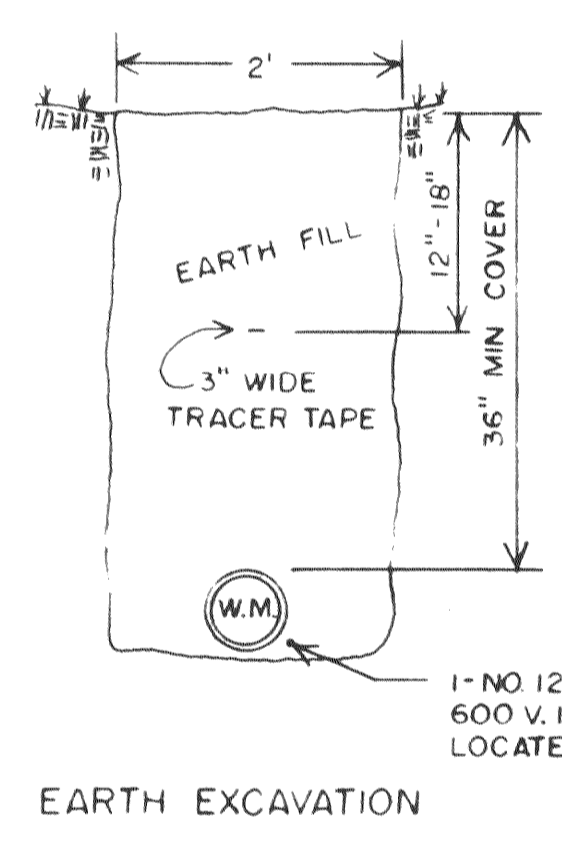
FIRE HYDRANT INSTALLATION DETAIL  
NO SCALE



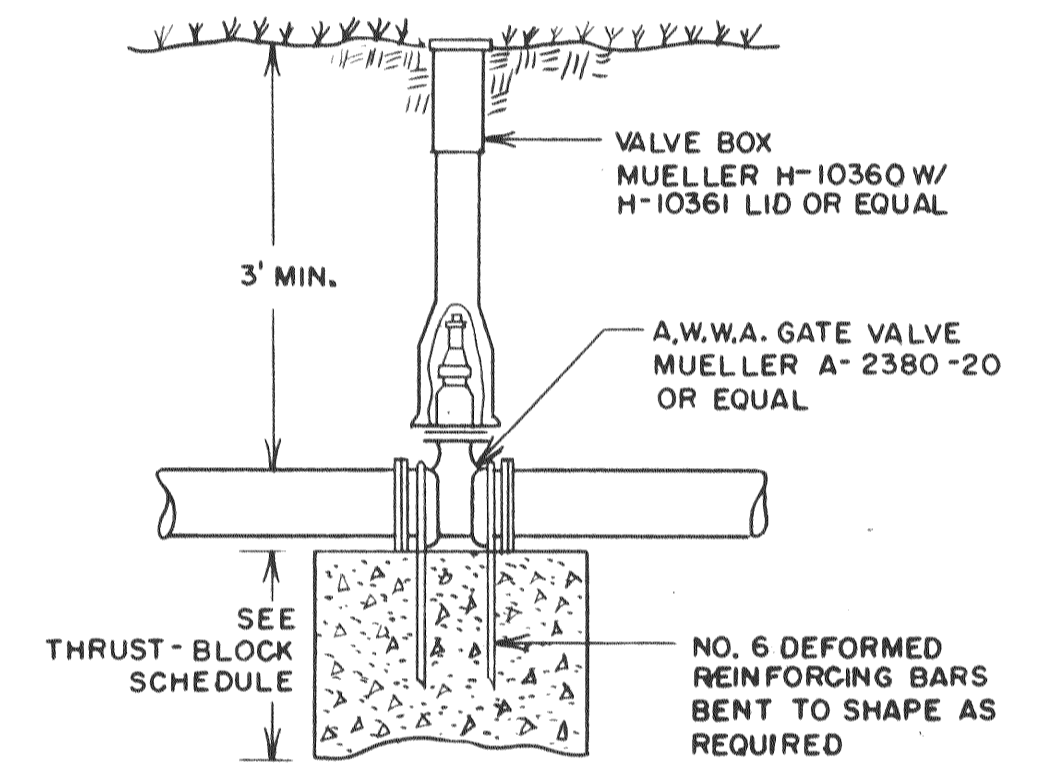
BLOW-OFF HYDRANT  
NO SCALE



TYPICAL WATER MAIN TRENCHING DETAIL  
NO SCALE



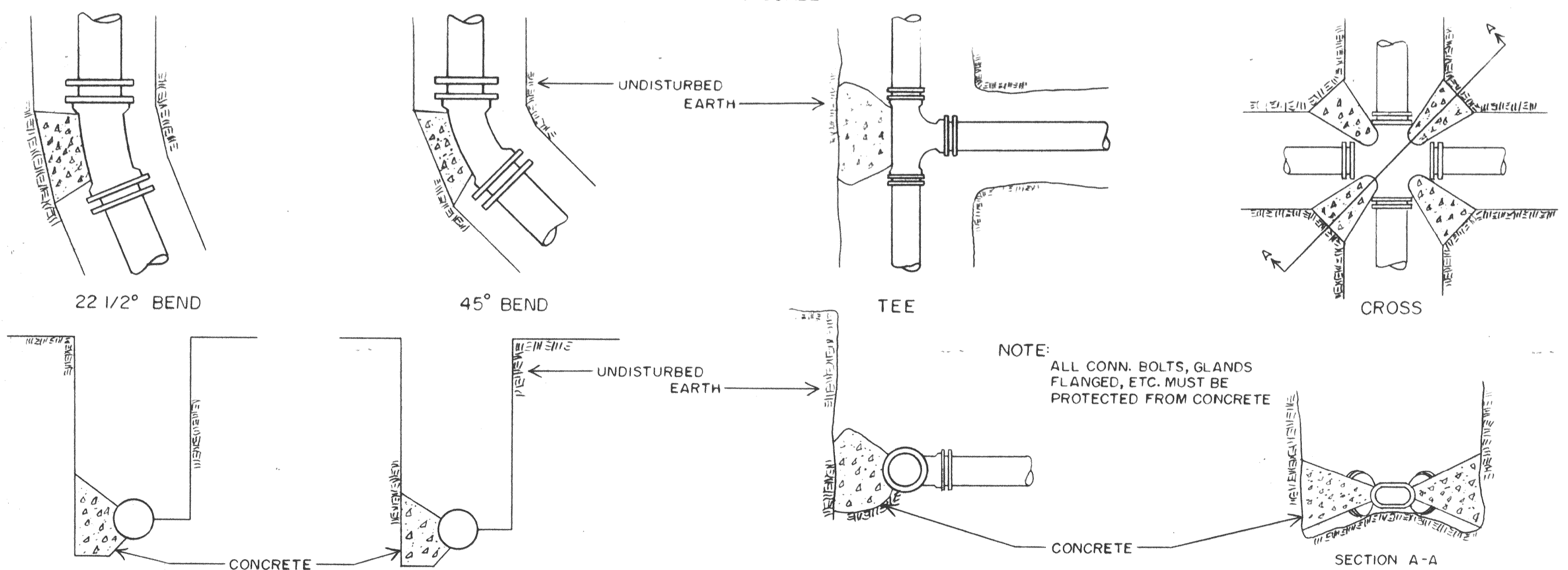
TYPICAL PAVED STREET OR ROAD TRENCH BACKFILL & SURFACE REPLACEMENT DETAIL  
SCALE: 1" = 1'-0"



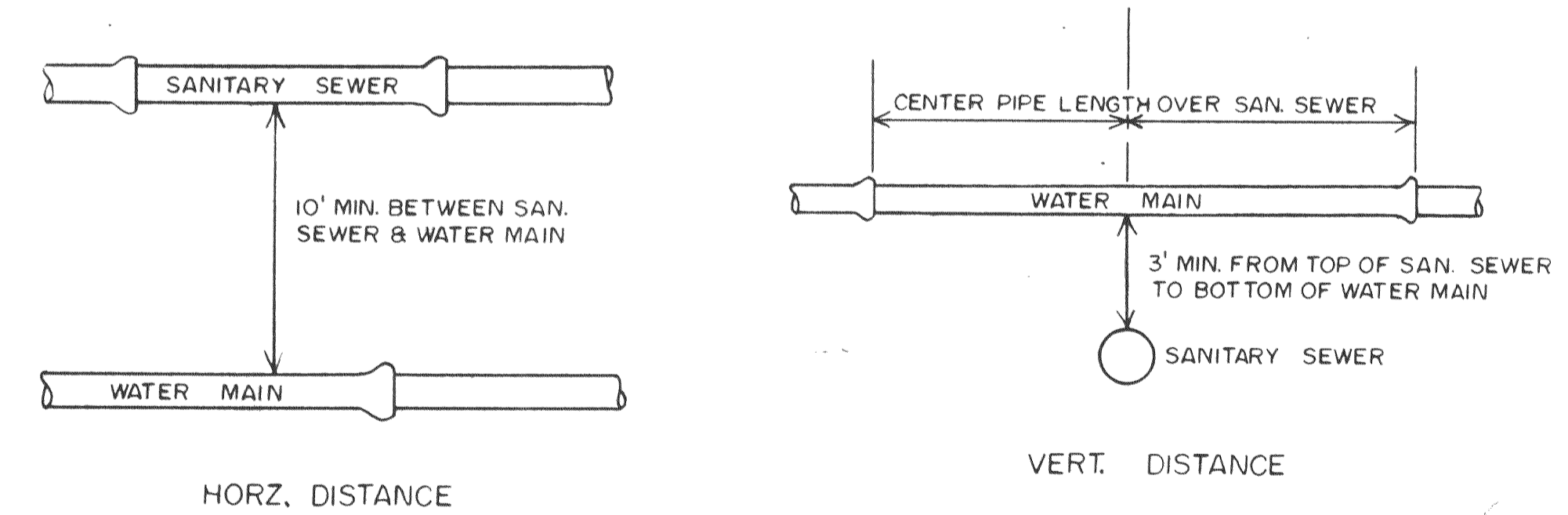
GATE VALVE W/ THRUST-BLOCK DETAIL  
NO SCALE

MAIN SIZE	MIN. THRUSTBLOCK BEARING DIMENSIONS TO BEAR AGAINST UNDISTURBED EARTH				
	45° BEND	22 1/2° BEND	TEE	VALVE	CROSS
2"	.5'x1'	.5'x1'	.5'x1'	.5'x1'	.5'x1'
4"	1'x1'	1'x1'	2'x1'	2'x1'	1'x1'
6"	1.5'x1'	1'x1'	2'x1'	2'x1'	1'x1'
8"	2'x1'	1'x1'	2'x2.5'	2'x2'	1'x1.5'
10"	2'x2.5'	1.5'x2'	2'x3.5'	2'x3'	2'x2'

THRUST-BLOCK SCHEDULE



TYPICAL THRUST-BLOCK DETAIL



TYPICAL WATER & SEWER SEPARATION  
NO SCALE