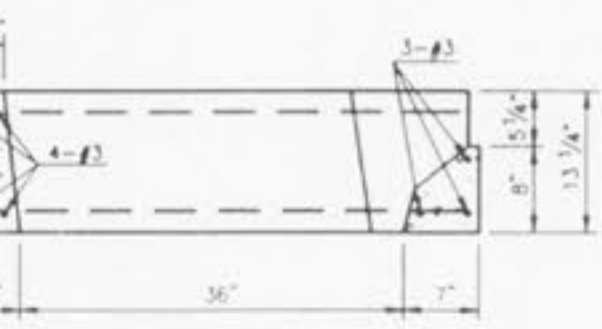


SECTION A-A

PRE-CAST CONCRETE UNIT FOR SINGLE STREET INLET

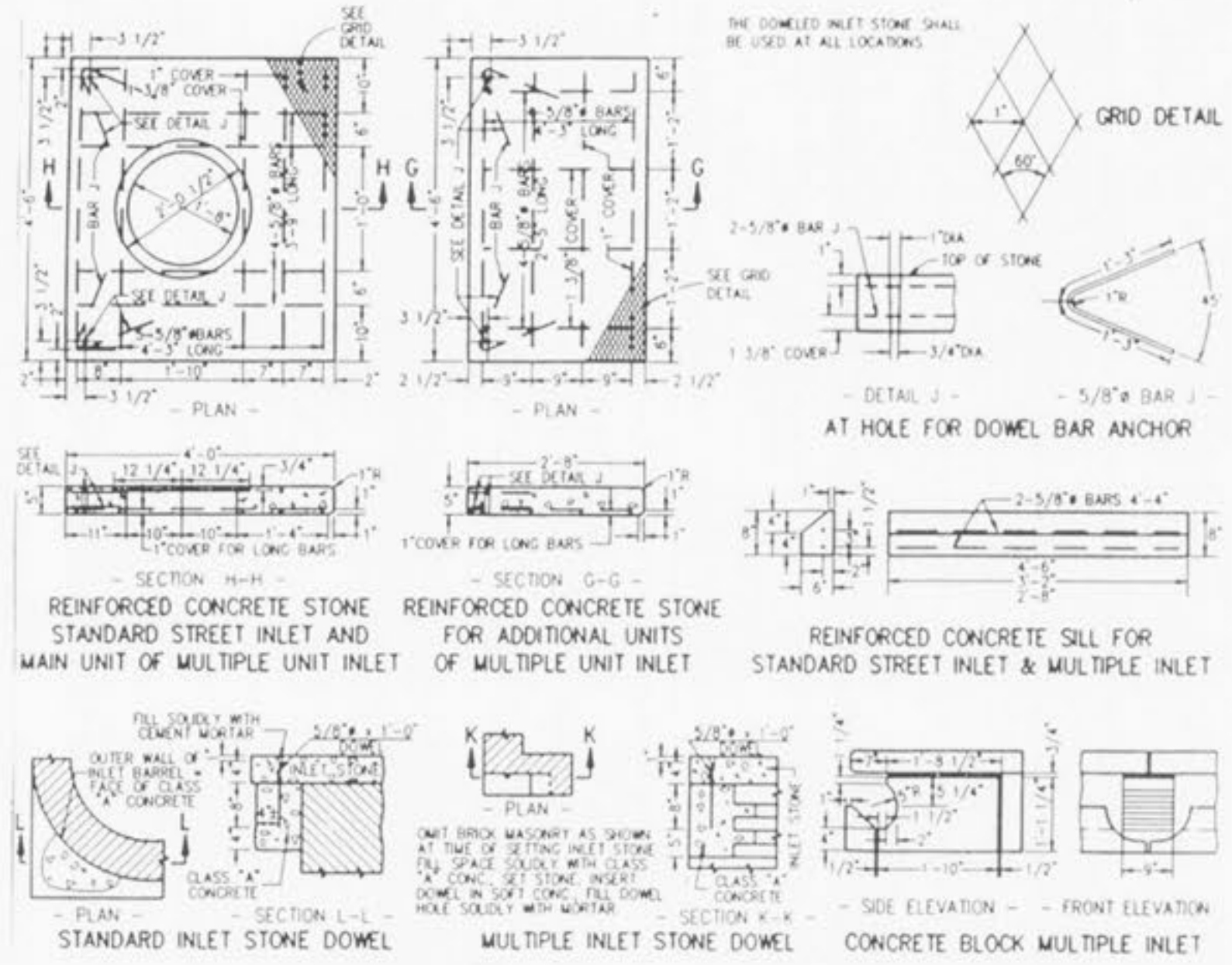
- NOTES
1. SET STANDARD INLET STONE IN 3/4" MORTAR BED AND DOWEL WITH 5/8" DIA. 1'-0" LONG PINS AND GROUT.
 2. RAISE TO FINAL GRADE WITH COURSES OF BRICK AND 3/4" MORTAR BED.
 3. THIS UNIT IS TO BE USED WITH 42" I.D. POURED IN PLACE CONCRETE OR BRICK BASE.
 4. 4000 P.S.I. CONCRETE REQUIRED.



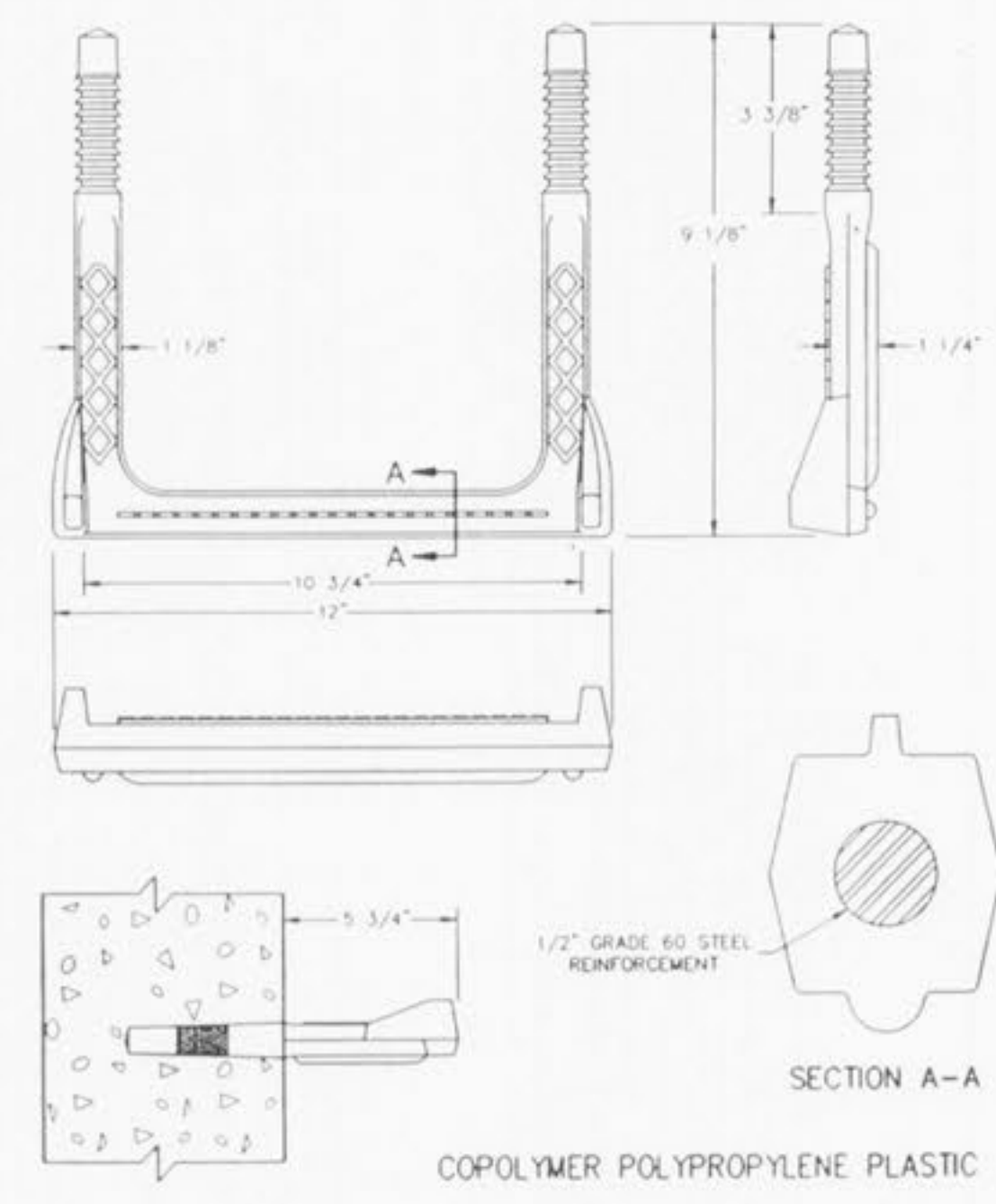
SECTION A-A

PRE-CAST CONCRETE UNIT FOR 4 WAY AREA INLET

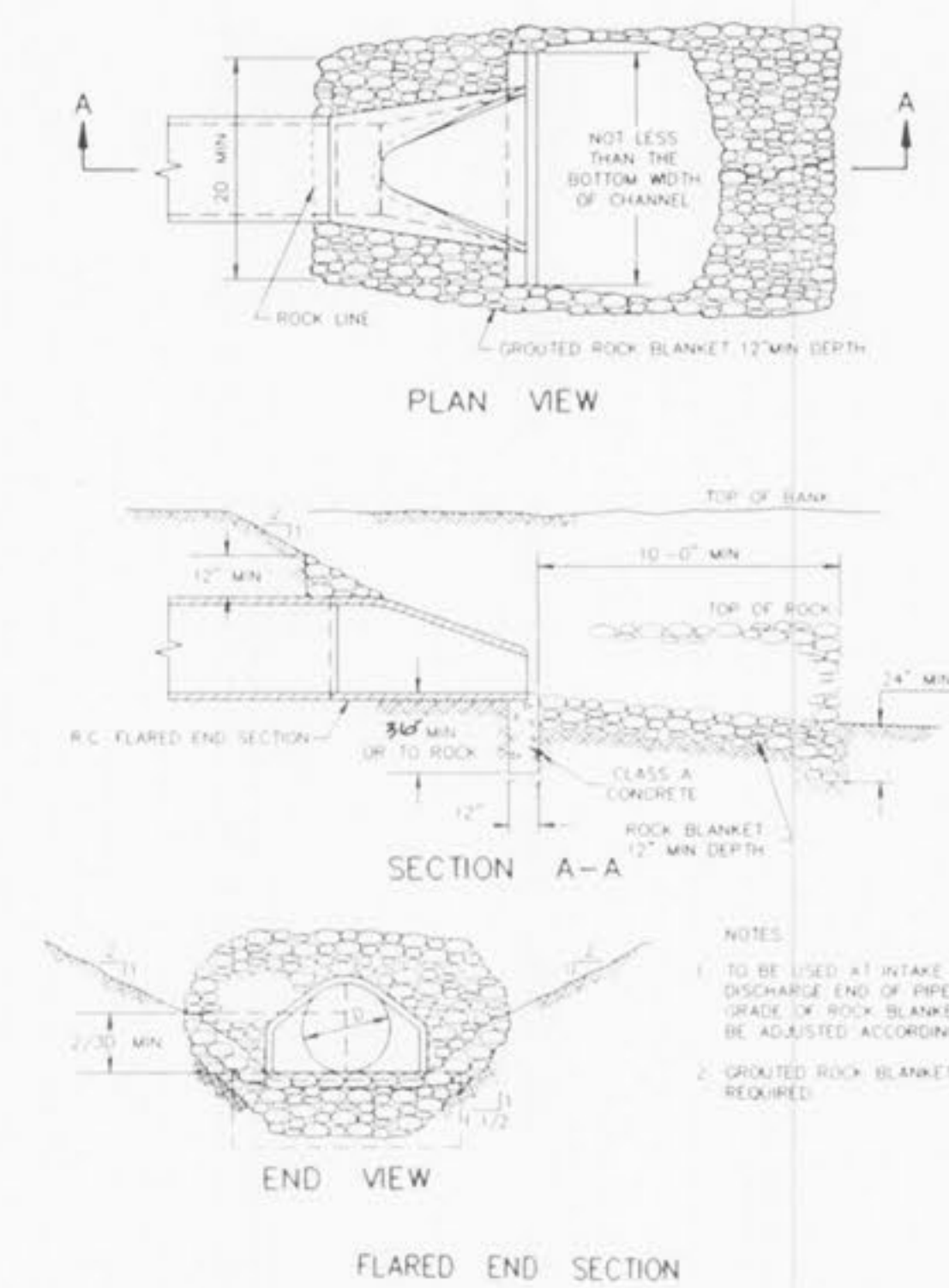
- NOTES
1. SET STANDARD INLET STONE IN 3/4" MORTAR BED AND DOWEL WITH 5/8" 1'-0" LONG PINS AND GROUT.
 2. RAISE TO FINAL GRADE WITH COURSES OF BRICK AND SET THE UNIT TO BASE WITH 3/4" MORTAR BED.
 3. THIS UNIT TO BE USED WITH 42" I.D. BASE.
 4. 4000 P.S.I. CONCRETE IS REQUIRED.



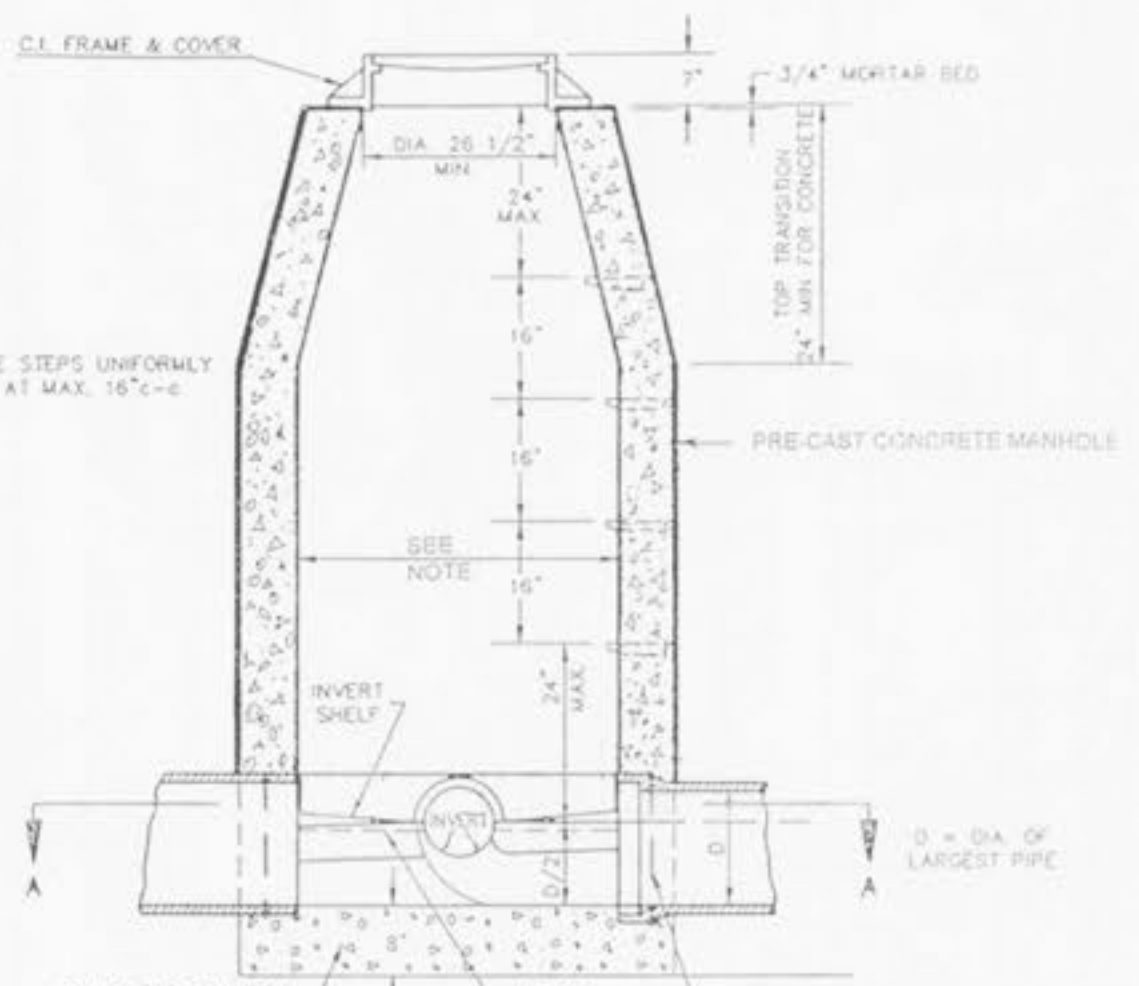
STANDARD - INLET STONES, BLOCKS & DESIGN DETAILS



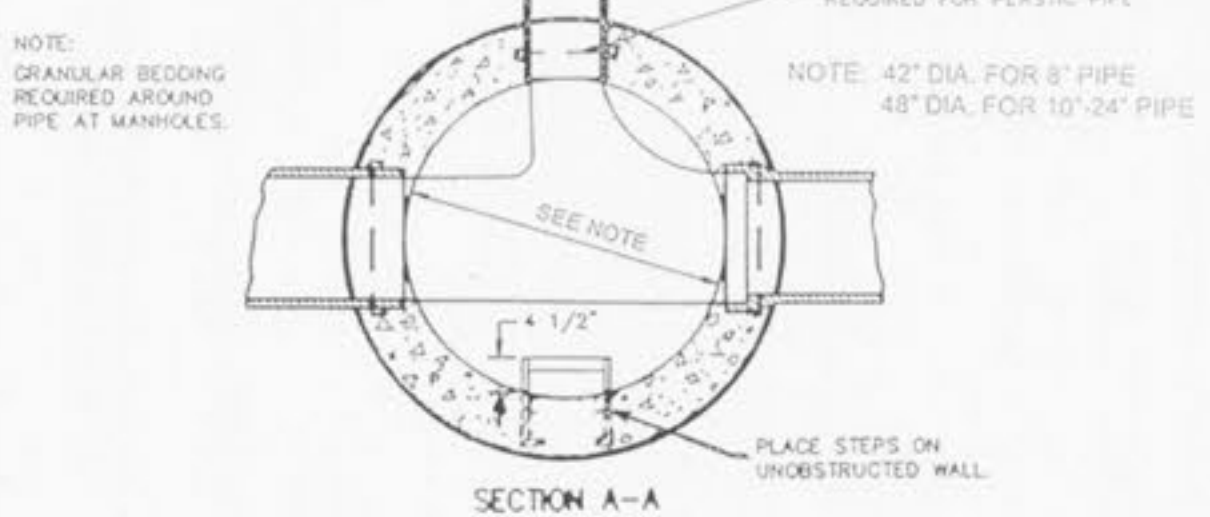
MANHOLE STEP FOR PRECAST MANHOLE



FLARED END SECTION



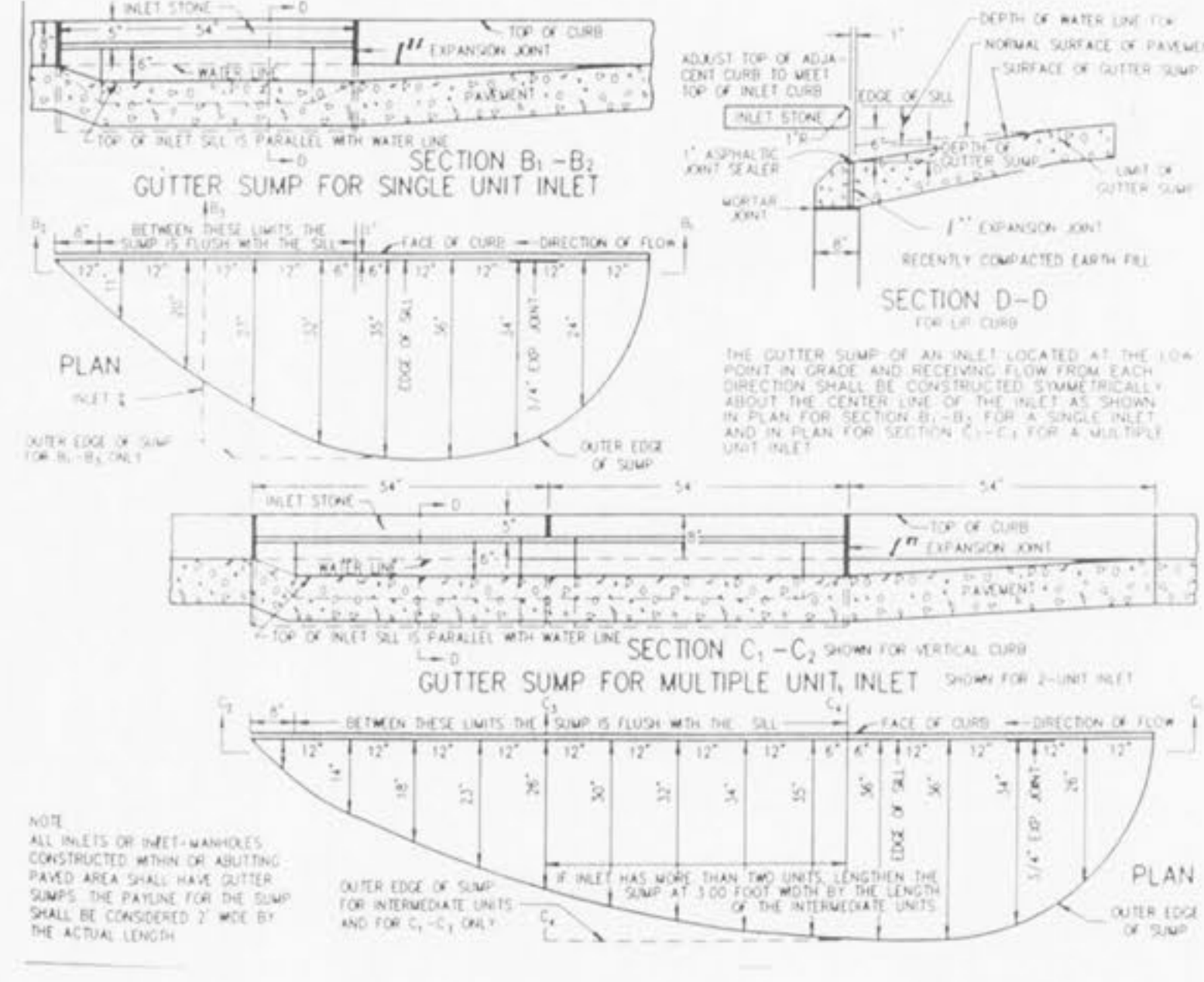
PRE-CAST CONCRETE MANHOLE



LINE MANHOLE PIPE SEWERS 8"-24" DIA.

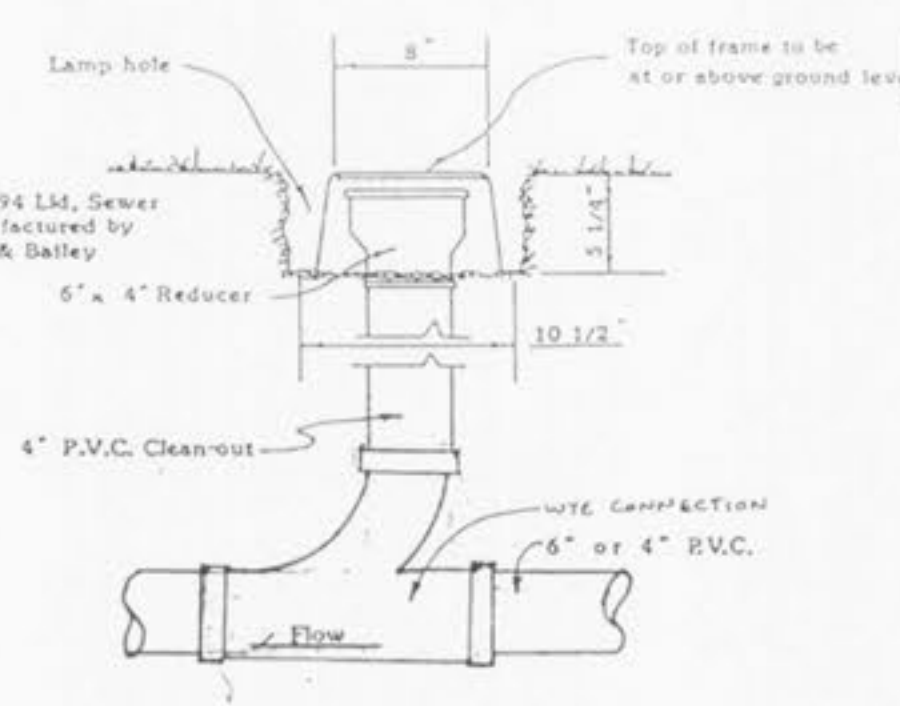
- NOTE: GRANULAR BEDDING REQUIRED AROUND PIPE AT MANHOLES.

- NOTE: 42" DIA. FOR 8" PIPE 48" DIA. FOR 10"-24" PIPE

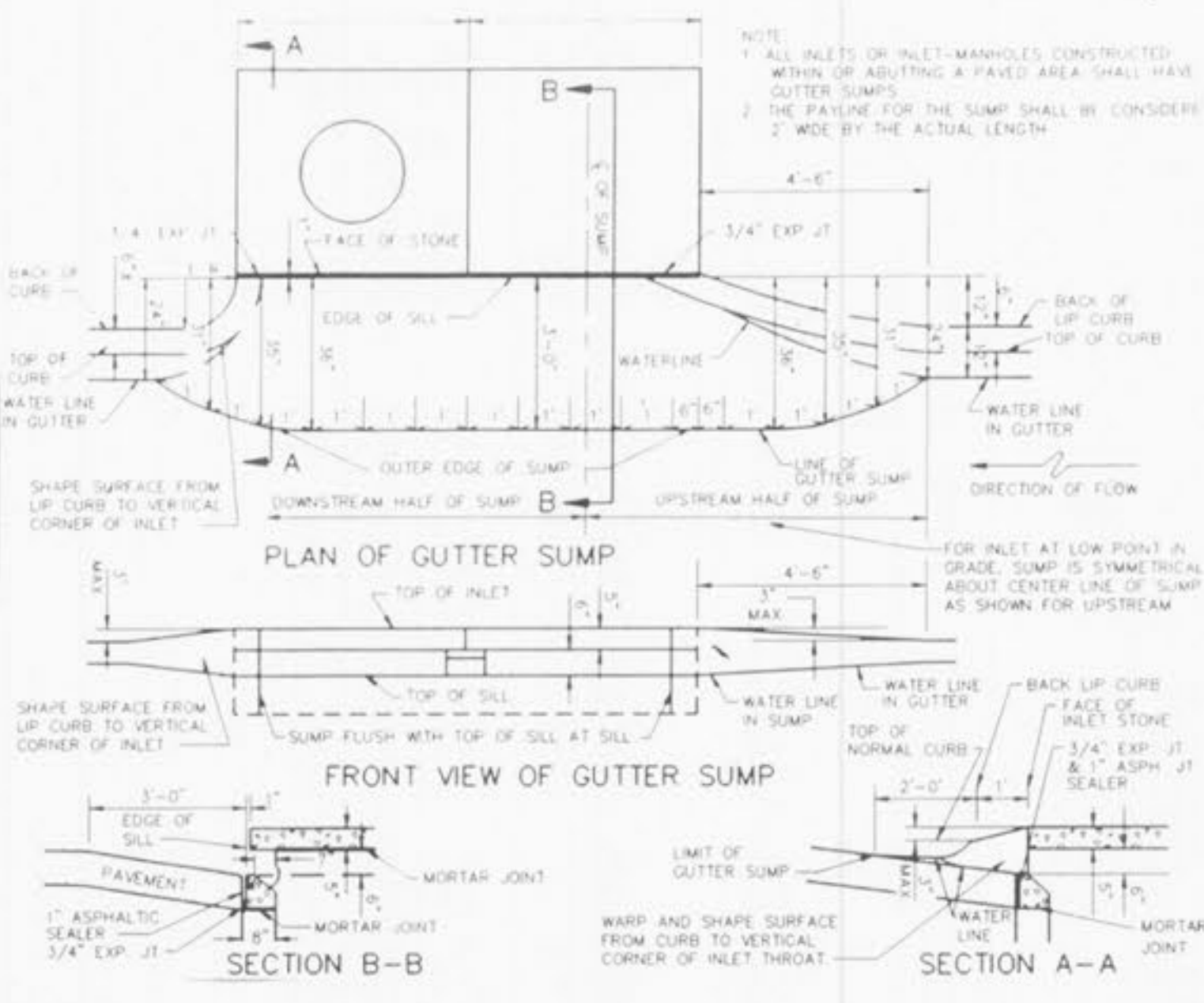


GUTTER SUMPS FOR VERTICAL CURB

- NOTE: ALL INLETS OR INLET-MANHOLES CONSTRUCTED WITHIN OR ADJUTING PAVED AREA SHALL HAVE GUTTER SUMPS. THE PAVING FOR THE SUMP SHALL BE CONSIDERED 2' WIDE BY THE ACTUAL LENGTH.



CLEAN-OUT DETAIL



PLAN OF GUTTER SUMP

FRONT VIEW OF GUTTER SUMP

SECTION B-B

SECTION A-A

- NOTE: 1. ALL INLETS OR INLET-MANHOLES CONSTRUCTED WITHIN OR ADJUTING A PAVED AREA SHALL HAVE GUTTER SUMPS. 2. THE PAVING FOR THE SUMP SHALL BE CONSIDERED 2' WIDE BY THE ACTUAL LENGTH.

- NOTE: FOR INLET AT LOW POINT IN GRADE, SUMP IS SYMMETRICAL ABOUT CENTER LINE OF SUMP AS SHOWN FOR UPSTREAM.

WINGHAVEN PHASE I
IMPROVEMENT PLANS FOR
BLACK HAWK VILLAGE
PART OF U.S. SURVEY NO. 1669
AND PART OF SECTIONS 11 & 12
TOWNSHIP 46 NORTH, RANGE 2 EAST
CITY OF FALLON, MISSOURI

Kuhlmann
Design
Group, Inc.
#6 Westbury Drive
St. Charles, Missouri 63301
Tel: (314) 946-5566
St. Louis, Missouri
Bellefontaine, Illinois
St. Charles, Missouri

K d G

DISCLAIMER OF RESPONSIBILITY
I hereby specify that the documents intended to be authorized by my seal are limited to the sheet, and I hereby disclaim any responsibility for all other Drawings, Specifications, Estimates, Reports or other documents or instruments relating to or intended to be used for any part of the project.



NO.	DATE
1	4/20/09
PROJECT NO.	CONTRACT NO.
DRAWN	CHECKED
DATE	

CONSTRUCTION
DETAILS

SHEET 19 OF 20

Copyright © 1998, Kuhlmann Design Group, Inc. All rights reserved.