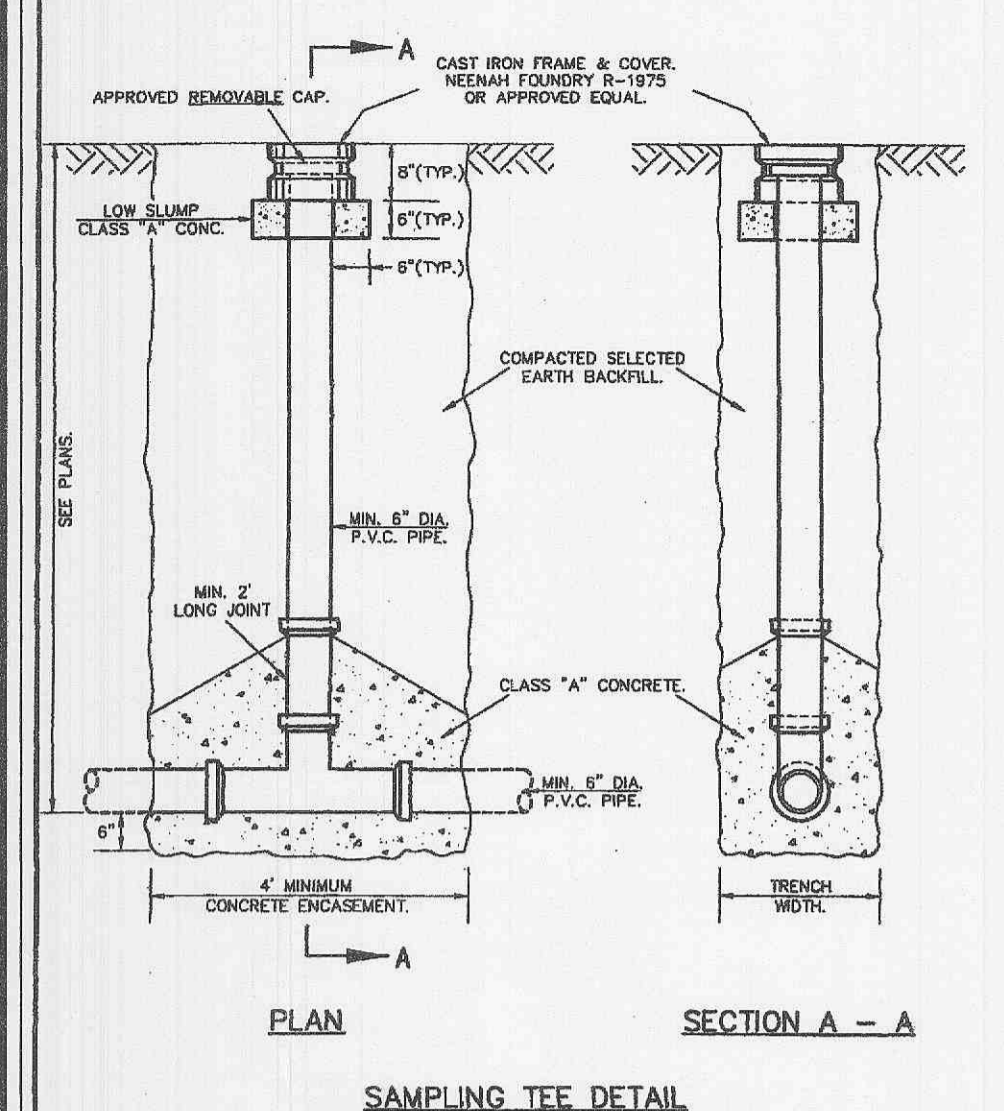
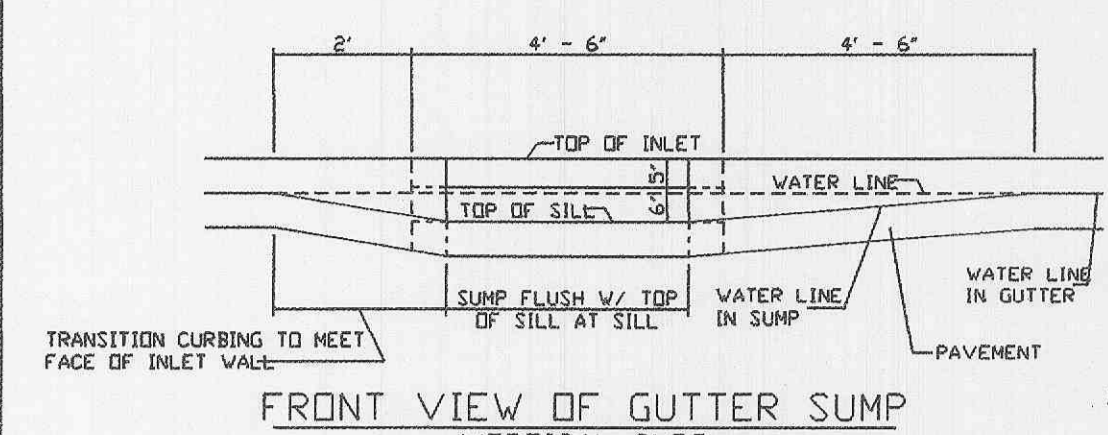


NOTES:
 1) THE OPENING SHALL BE CUT BY THE CONTRACTOR TO A SUFFICIENT SIZE TO PERMIT INSERTING A TEE SADDLE OR SHORT LENGTH OF PIPE AT THE REQUIRED ELEVATION AND ANGLE TO ALLOW AT LEAST A TWO INCH SPACE AROUND THE OUTSIDE OF THE PIPE. THIS SPACE WILL BE SOLELY FILLED WITH 1 TO 3 CENTIMETER SAND MORTAR MIX AND THE NEW PIPE NEATLY TRIMMED AND POINTED UP FLUSH WITH THE INSIDE OF THE MAIN SEWER.
 2) IF THERE ARE REINFORCING BARS IN THE SEWER WALL, ONLY THOSE PREVENTING INSERTION OF THE PIPE MAY BE CUT. ALL OTHERS SHALL BE BENT INTO A CLASS 'A' CONCRETE COLLAR AT THE JUNCTION OF THE CONNECTION PIPE AND THE MAIN SEWER.

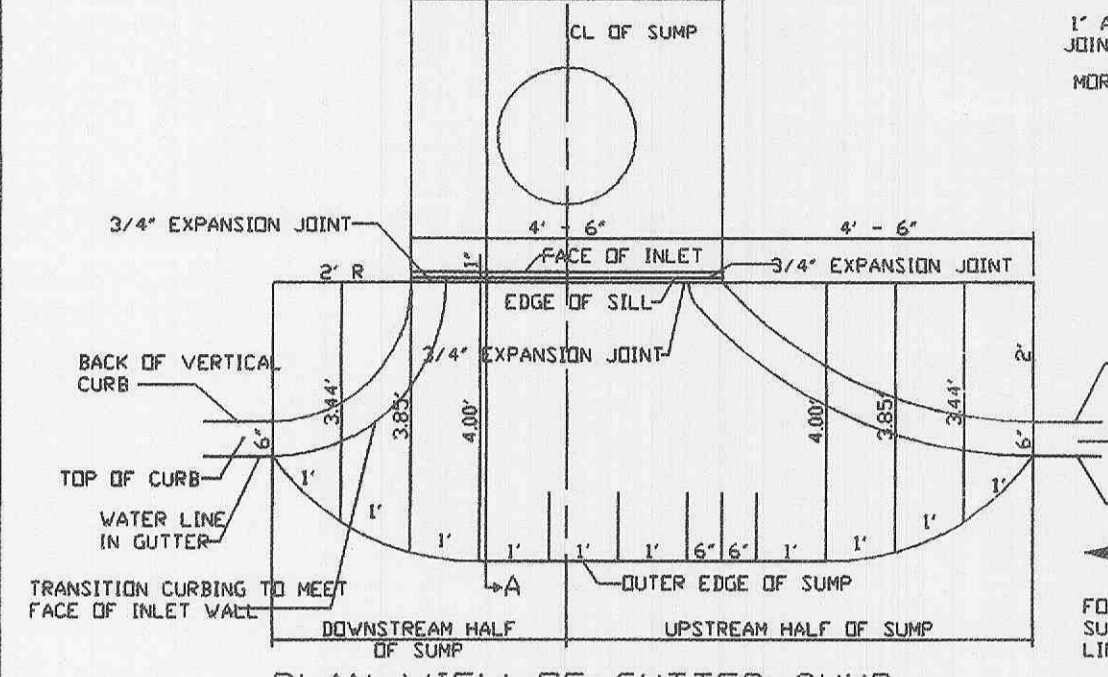
HOUSE CONNECTIONS ALLOWED BY TEE SADDLE	METROPOLITAN ST. LOUIS SEWER DISTRICT Standard Details of Sewer Construction
Dr. DAB/SAM Ch. J.C.K.	2000 SHEET 65



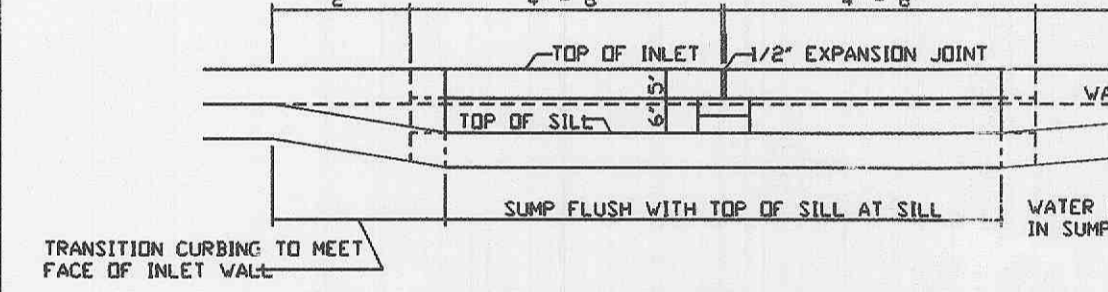
SAMPLING TEE	METROPOLITAN ST. LOUIS SEWER DISTRICT Standard Details of Sewer Construction
Dr. S.A.M. Ch. P.W.S.	2000 SHEET 69



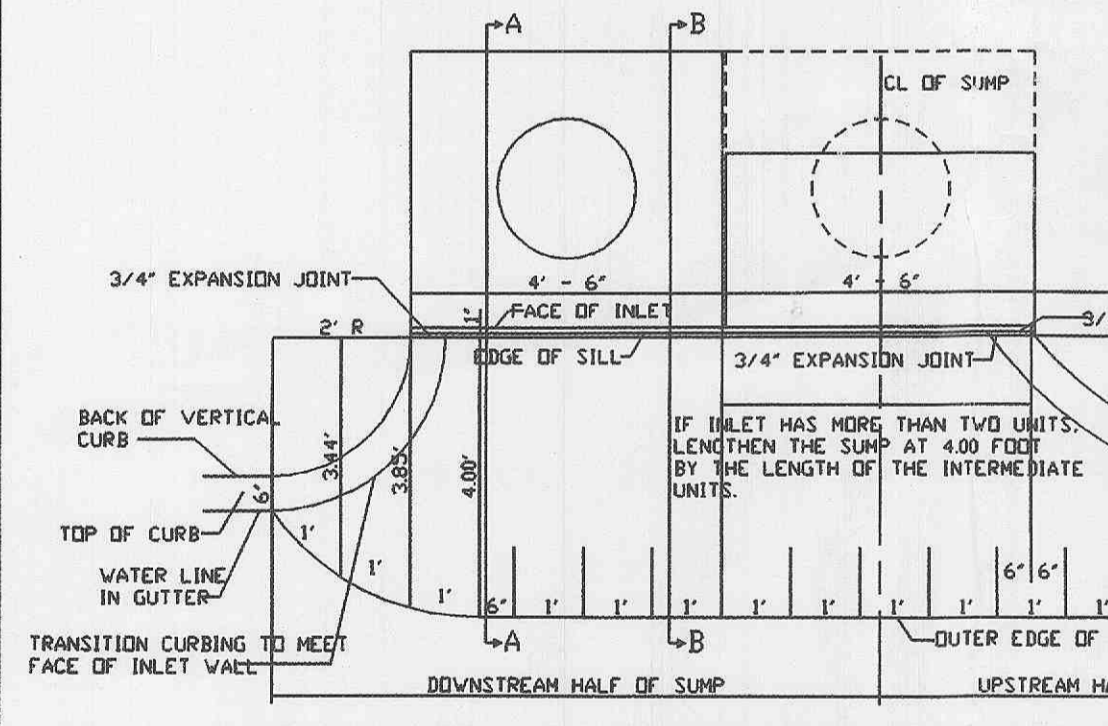
FRONT VIEW OF GUTTER SUMP VERTICAL CURB



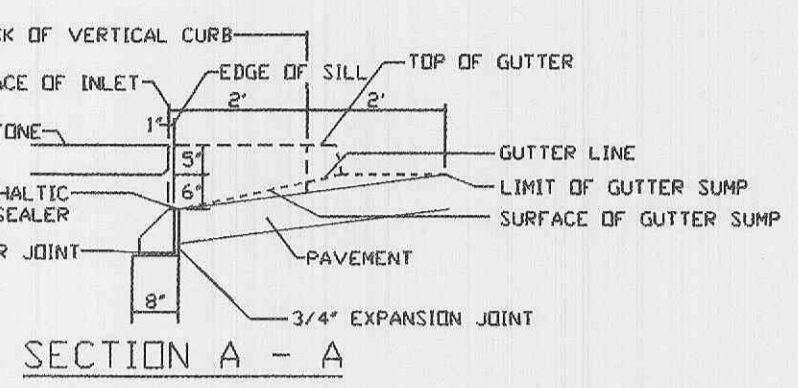
PLAN VIEW OF GUTTER SUMP VERTICAL CURB



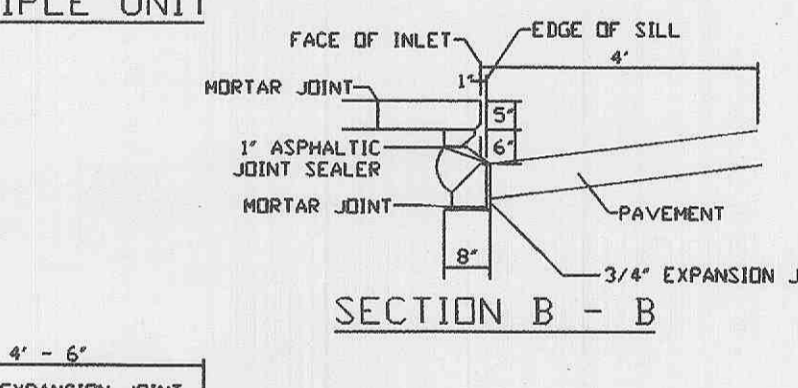
FRONT VIEW OF GUTTER SUMP FOR MULTIPLE UNIT VERTICAL CURB



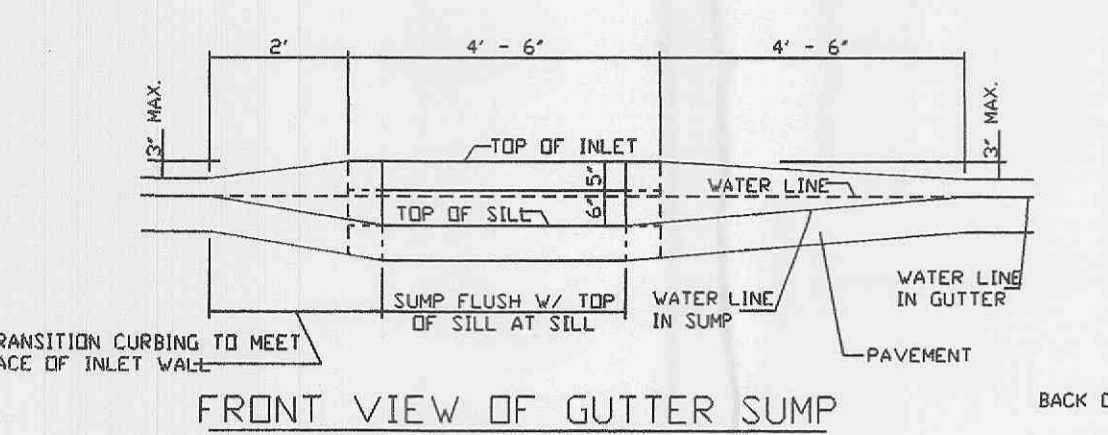
PLAN VIEW OF GUTTER SUMP FOR MULTIPLE UNIT VERTICAL CURB



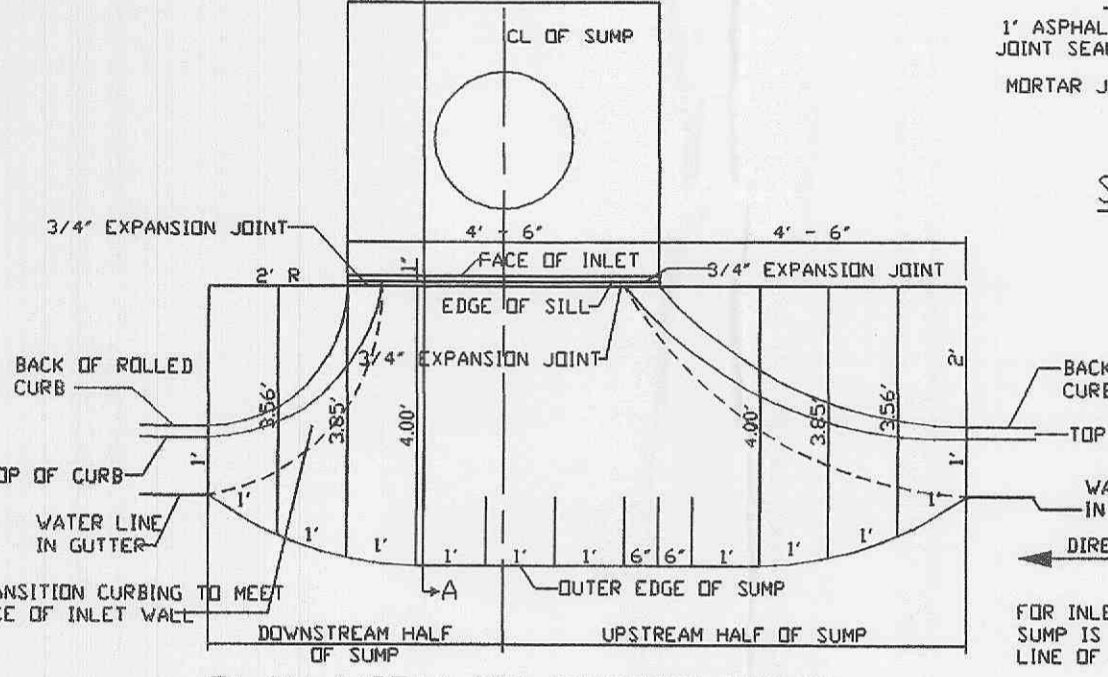
SECTION A - A



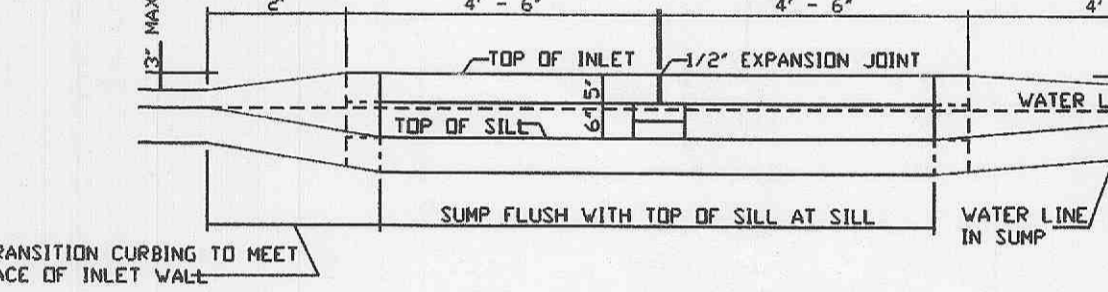
SECTION B - B



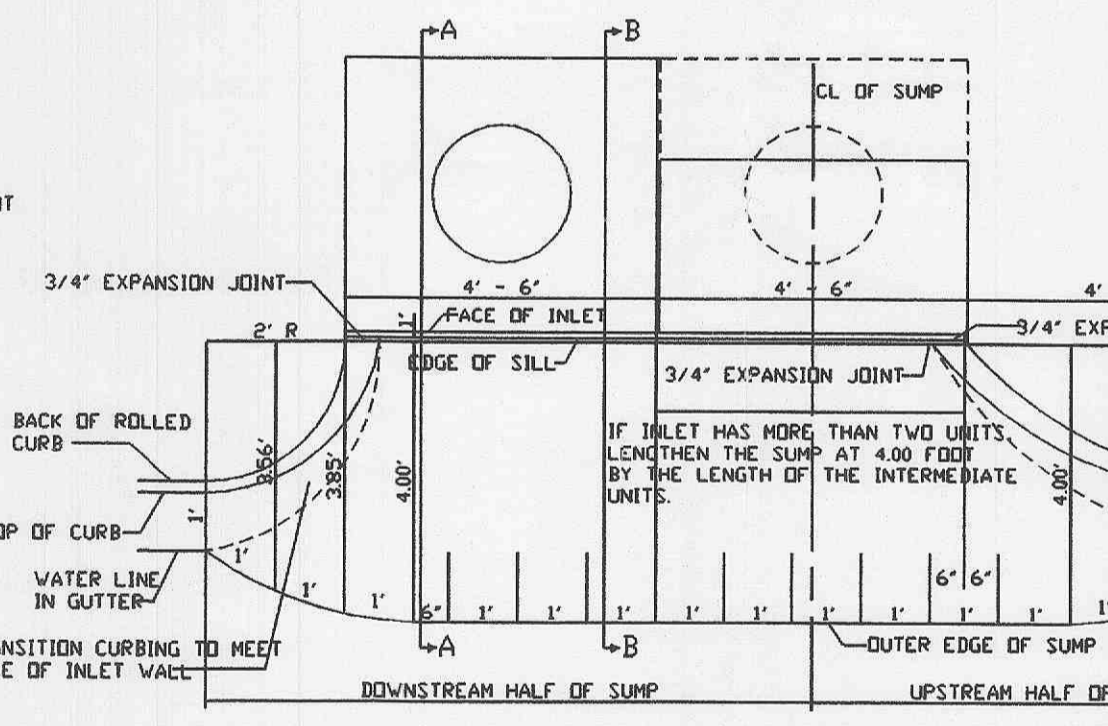
FRONT VIEW OF GUTTER SUMP ROLLED CURB



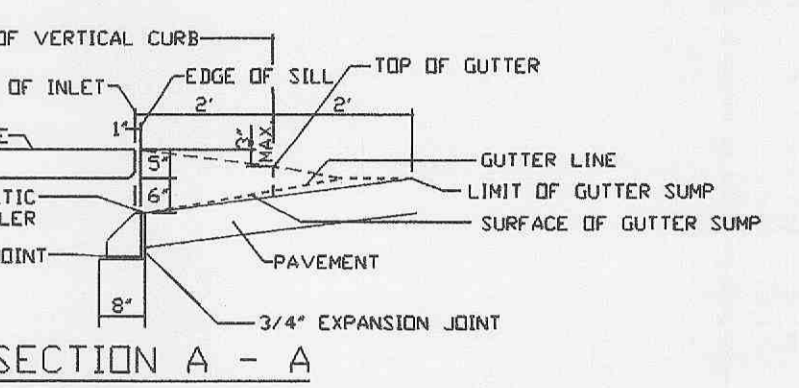
PLAN VIEW OF GUTTER SUMP ROLLED CURB



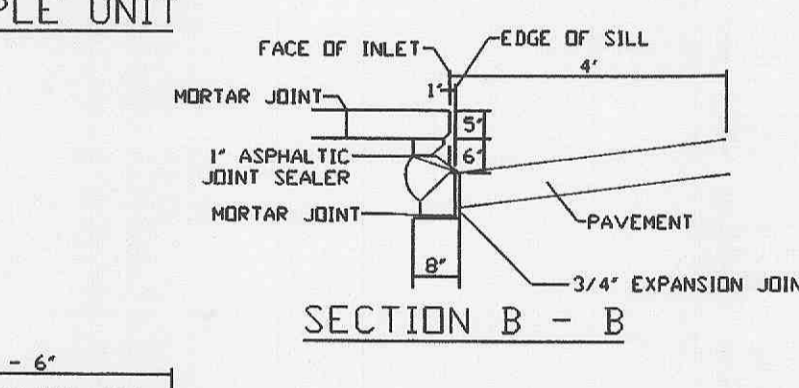
FRONT VIEW OF GUTTER SUMP FOR MULTIPLE UNIT ROLLED CURB



PLAN VIEW OF GUTTER SUMP FOR MULTIPLE UNIT ROLLED CURB



SECTION A - A



SECTION B - B

GENERAL NOTES
 1. DO NOT SCALE DRAWING. FOLLOW DIMENSIONS.
 2. THE DETAILS SHOWN ARE ADAPTED FROM REVISED STANDARD CONSTRUCTION DETAILS FOR SEWERS AND DRAINAGE FACILITIES DATED 1986.
 3. THE STANDARD SPECIFICATION SECTIONS NOTED REFER TO THE STANDARD CONSTRUCTION SPECIFICATIONS FOR SEWERS AND DRAINAGE FACILITIES OF THE METROPOLITAN ST. LOUIS SEWER DISTRICT DATED 1986.
 4. INLETS MAY BE LOCATED 2.5 FEET FROM THE BACK OF ROLLED CURB. ADD 0.5 FEET TO ALL SUMP DIMENSIONS FOR ALL INLETS WHICH ARE OFFSET 2.5 FEET FROM THE BACK OF CURB.

SEWER CONSTRUCTION DETAILS
 STREET INLET SUMPS