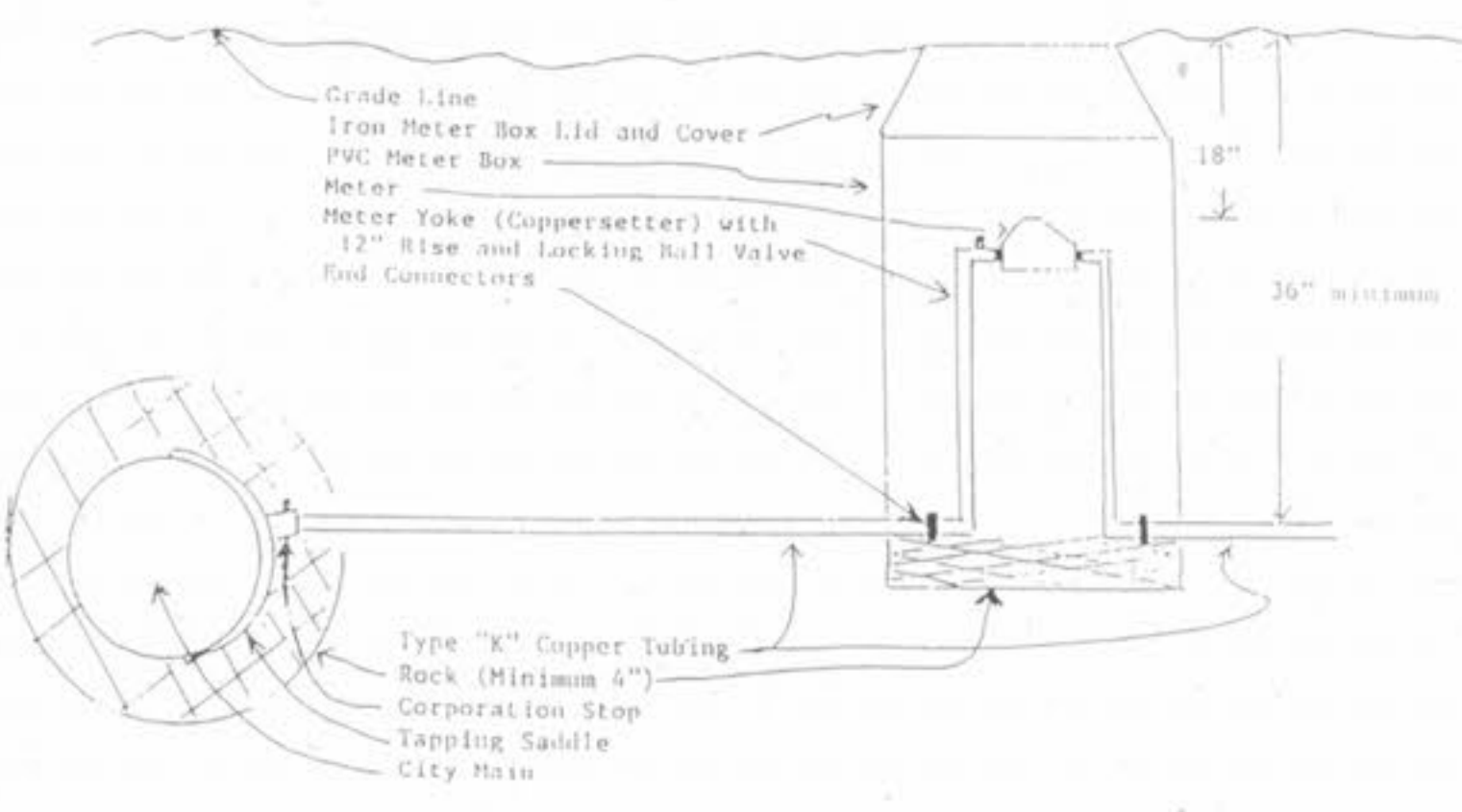
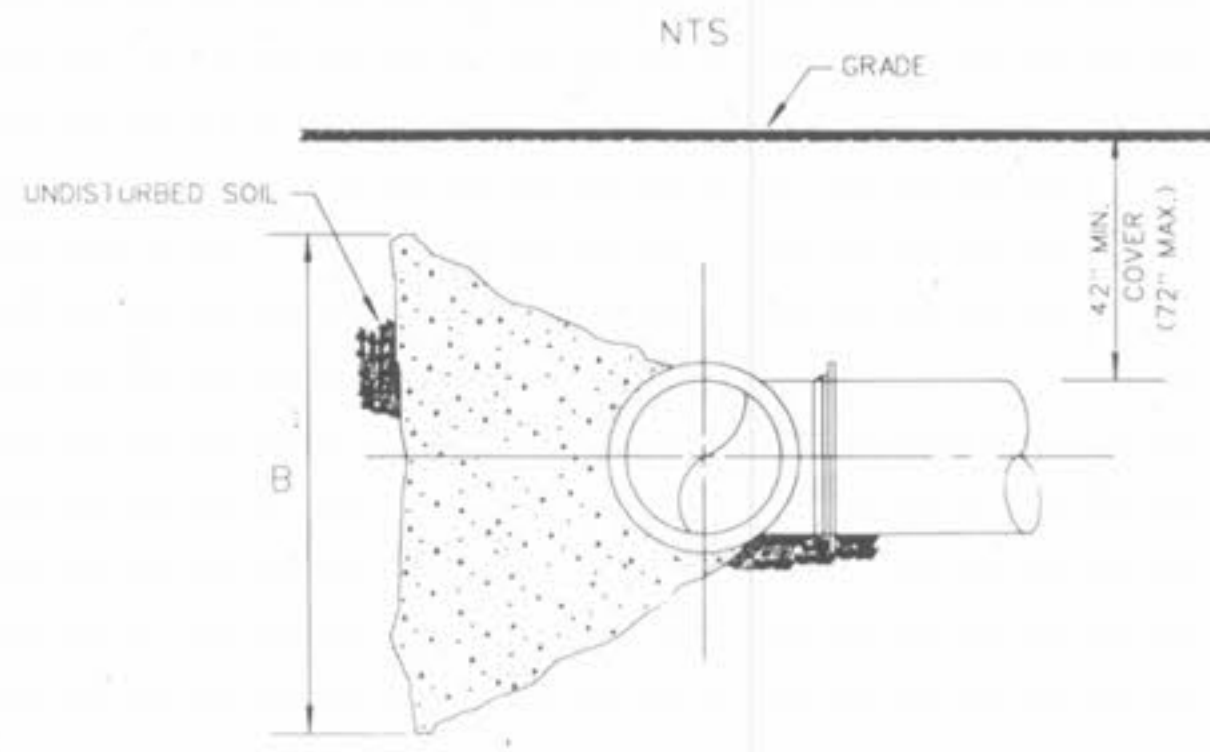
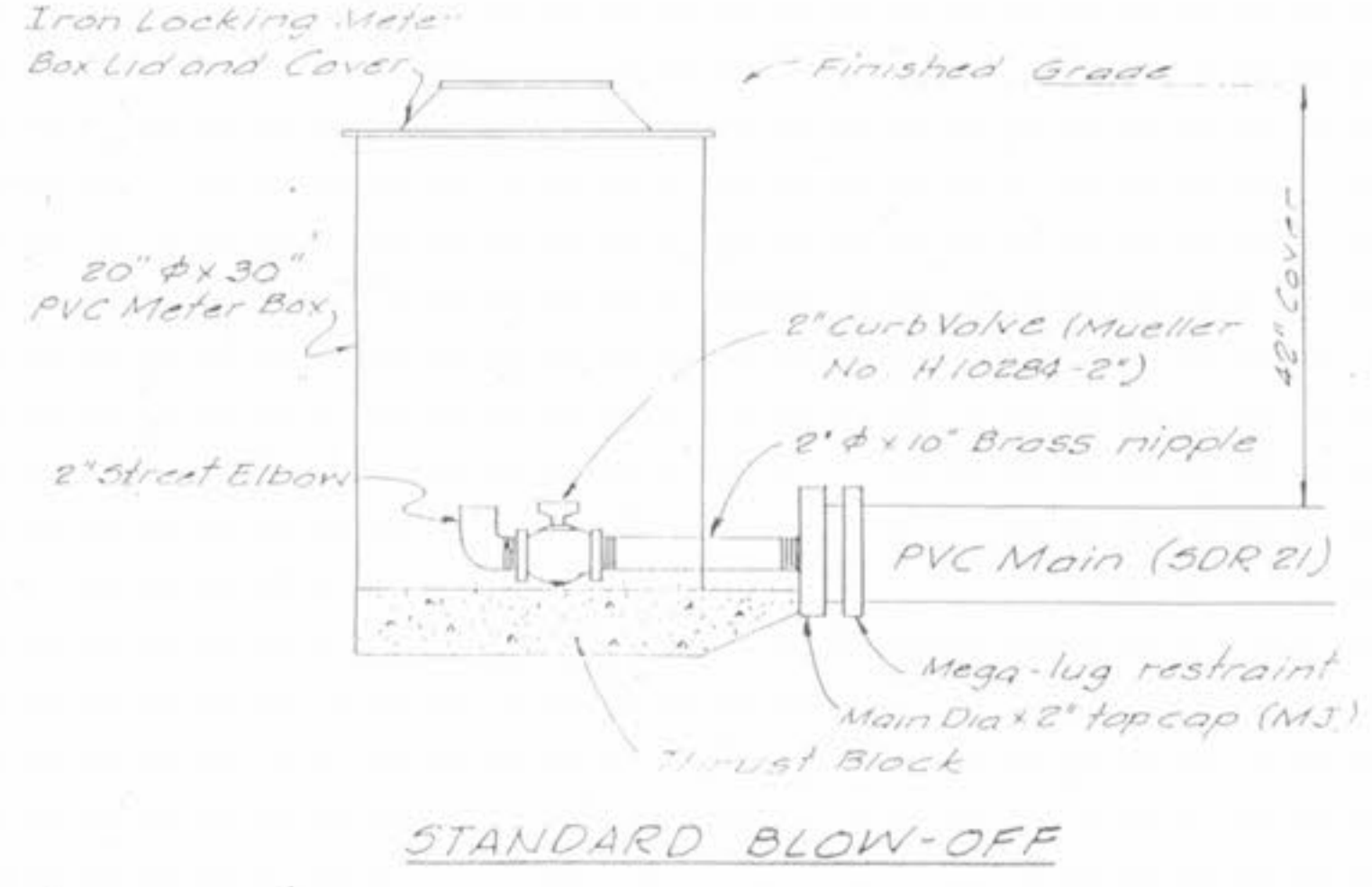


STANDARD METER INSTALLATION

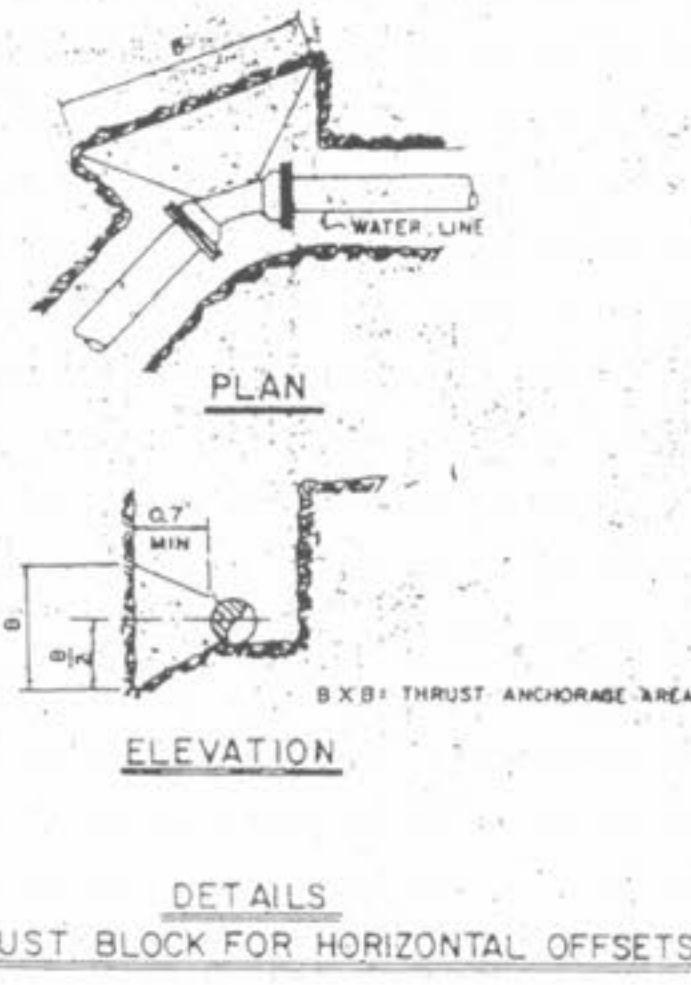
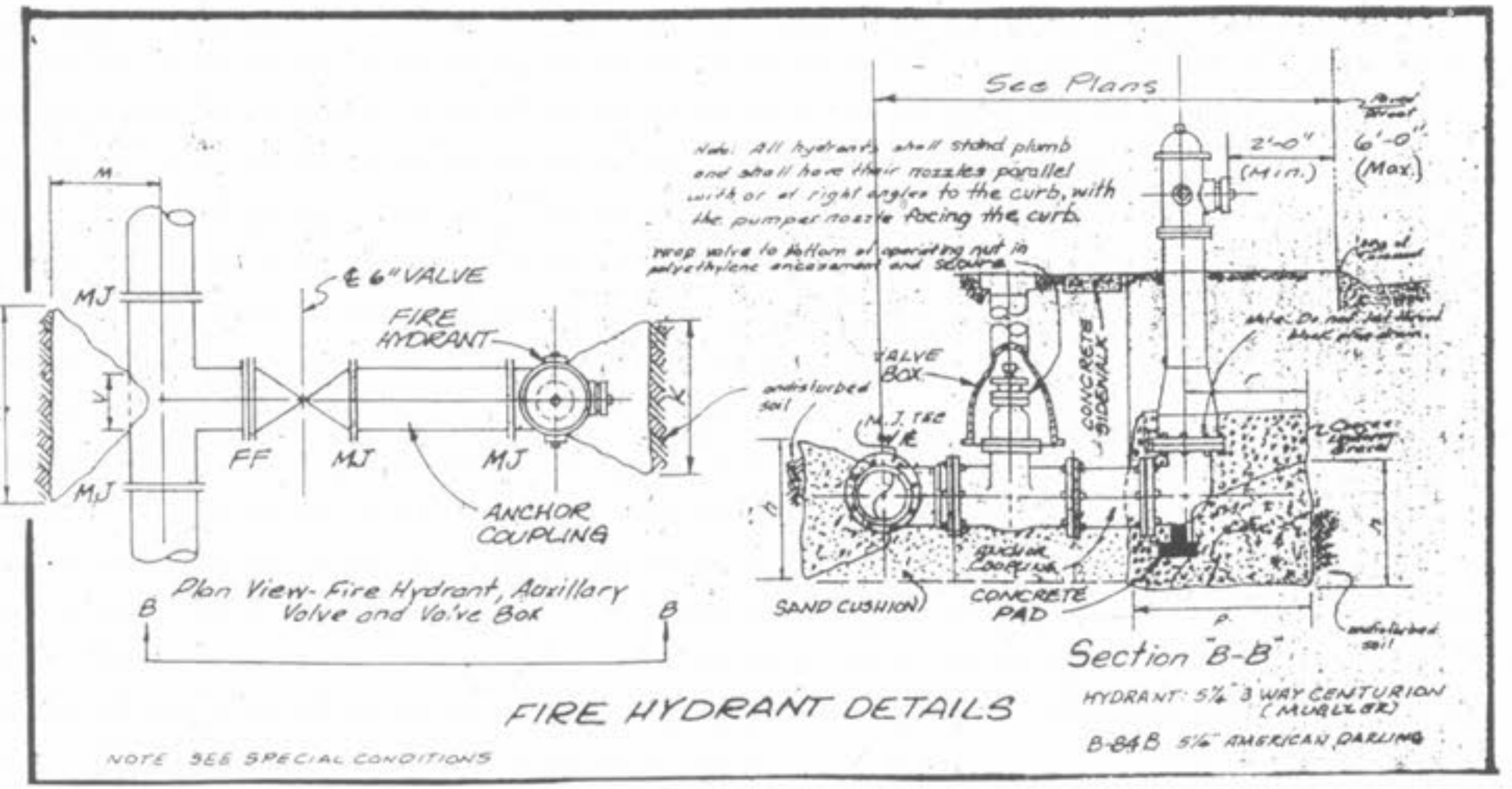


MATERIAL LIST - 1" WATER METER SERVICE

- 1" Sensus SRH MTR, TRPL, 100 GL PLAS BNT
- 1" Meter Yoke with 12" Rise and Locking Ball Valve (B2404-1")
- 1" Corporation Stop (B25008-1")
- 2 - 1" End Connectors, Compression (H-14227-1")
- 20 6150 MTR Box Cover LN w/TR
- 20" x 30" Meter Tile (MIDSTATES)
- 1" x 8" Tapping Saddle, PVC (H13433-1")
- 1" x 10" Tapping Saddle, PVC (H13434-1")
- 1" x 6" Tapping Saddle, PVC



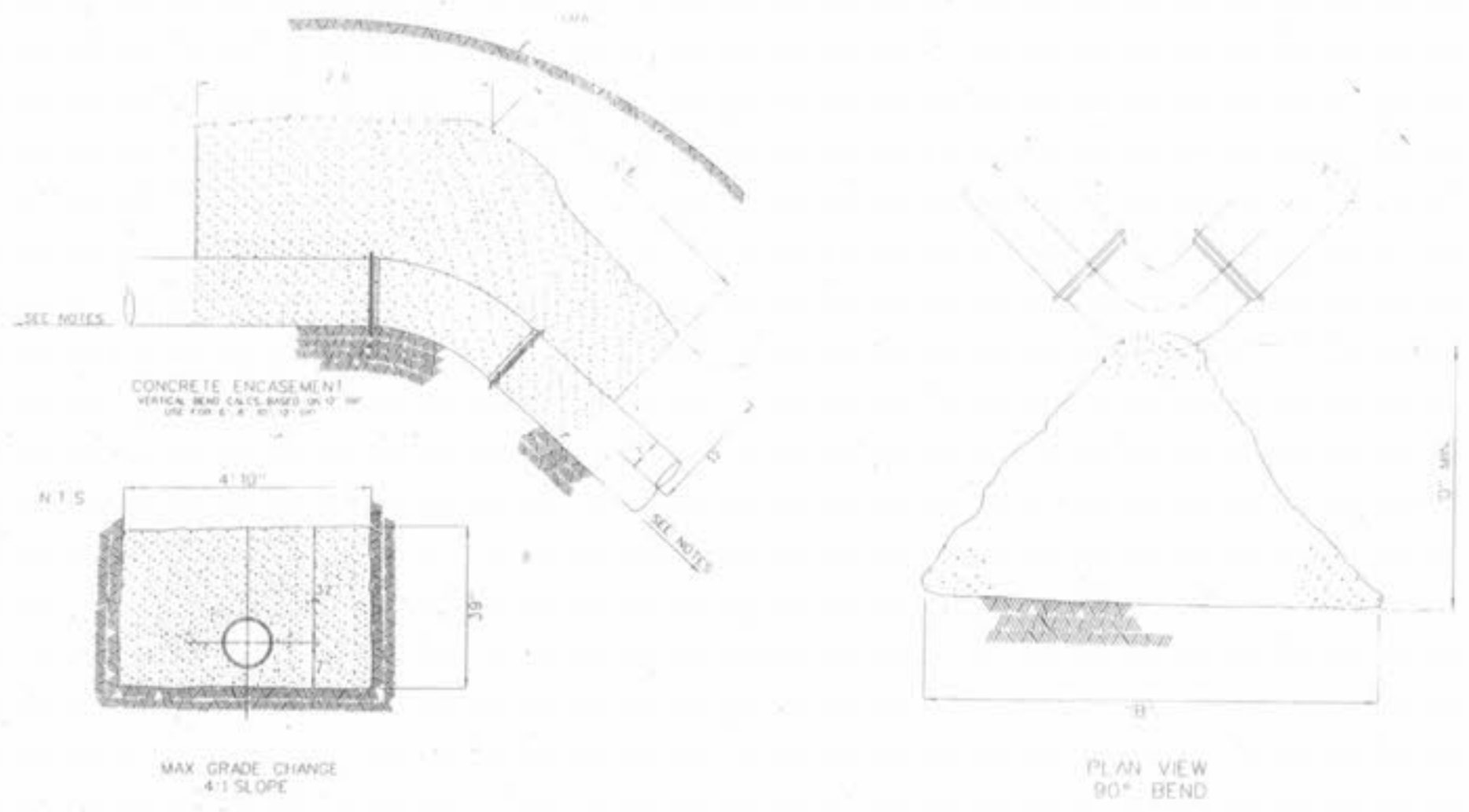
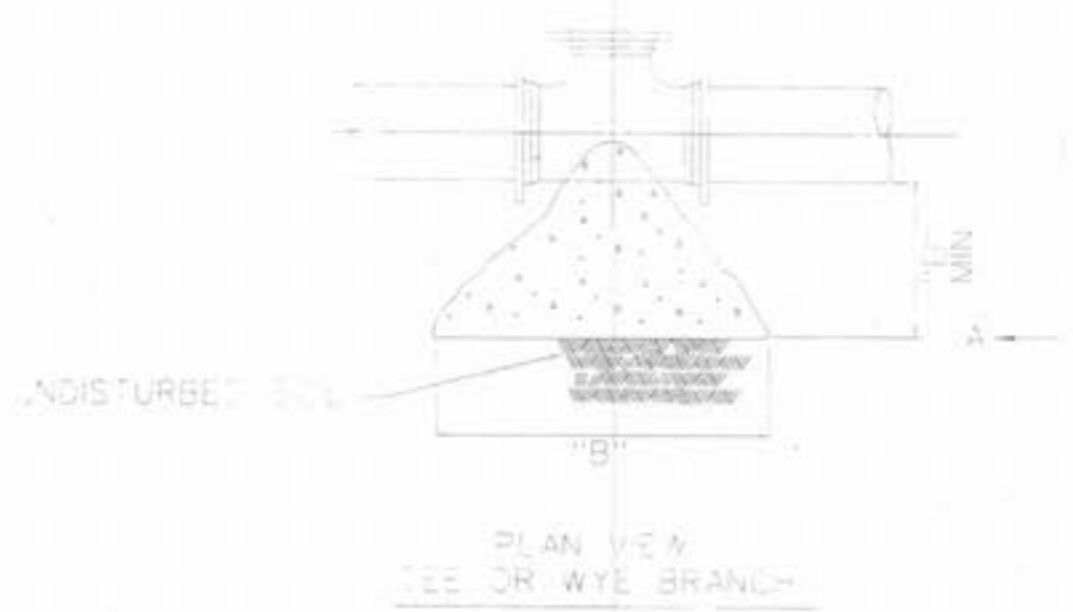
SECTION "A - A"
TYPICAL FOR ALL THRUST BLOCKS EXCEPT AS NOTED



PIPE DIA.	90° BENDS	45° BENDS	22.5° BENDS	WYES	B	D
2"	10	07	10	07	10	07
3"	10	07	10	07	10	07
4"	10	07	10	07	10	07
6"	14	10	10	10	14	10
8"	18	10	14	10	10	22
10"	23	12	17	12	14	27
12"	27	14	20	14	14	32
14"	32	15	24	15	17	38
16"	36	17	27	17	19	43

NOT TO SCALE

Dimensions are in feet. Use above thrust block dimensions unless poor soil conditions (organic, saturated clay, etc.) dictate use of larger thrust area. See chart @ top center of this sheet for determination of class of thrust block in poor soil conditions.



NOTE:
IF AMERICAN DARLING FIRE HYDRANTS ARE TO BE USED, THE CONTRACTOR SHALL FURNISH TO THE CITY REPAIR PARTS (REBUILD KIT) AND WRENCHES FOR SEAT REMOVAL.

