

**PROJECT BENCHMARK:**  
CHISELED SQUARE ON TOP OF SOUTHWEST WINGWALL AT EAST END OF WESTBOUND U.S. HIGHWAY 40-51 BRIDGE OVER DARDENNE CREEK  
ELEVATION: 501.70

**SITE BENCHMARK:**  
CUT 'X' INTO CONCRETE SIDEWALK @ ELEVATION: 578.64

**WINGHAVEN  
COUNTRY CLUB**  
7777 Winghaven Blvd. O'Fallon, Missouri 63366  
PHASE I PACKAGE

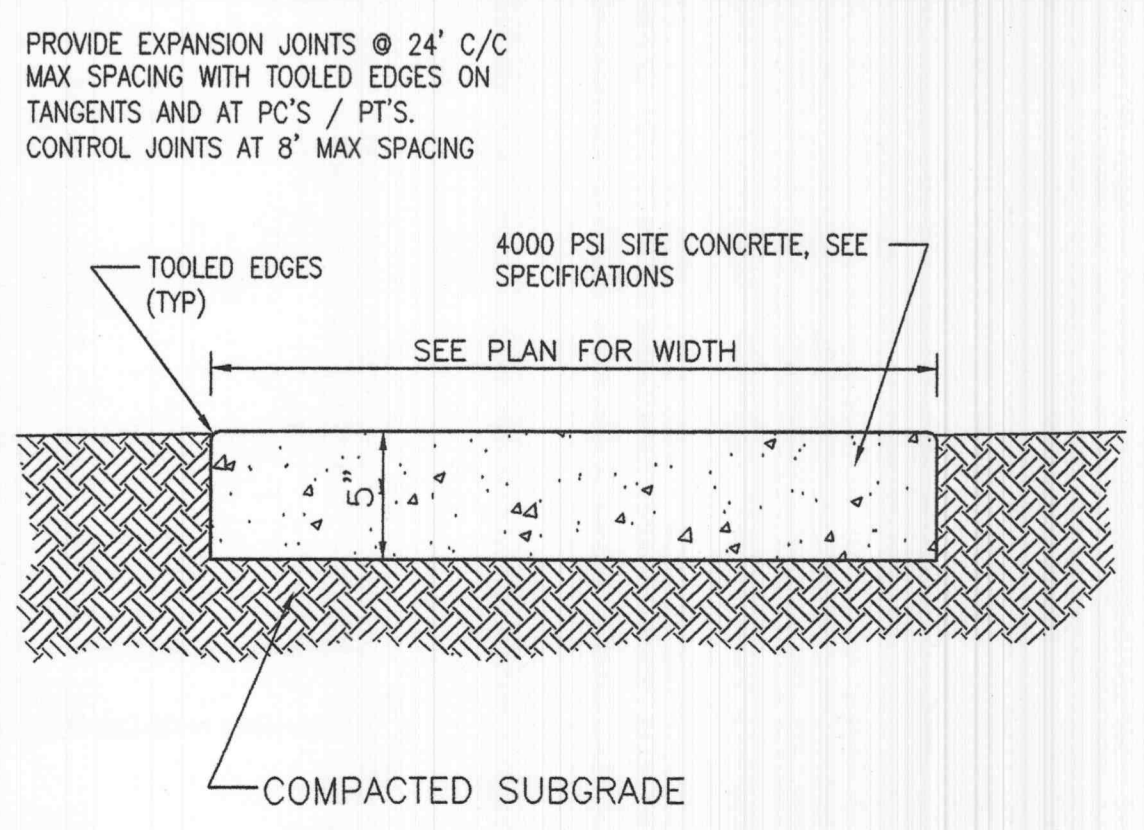
**Kuhlmann  
Design  
Group, Inc.**  
66 Progress Parkway  
St. Louis, Missouri 63044-3706  
Tel: (314) 434-8888  
St. Louis, Missouri  
St. Charles, Missouri

**KdG**

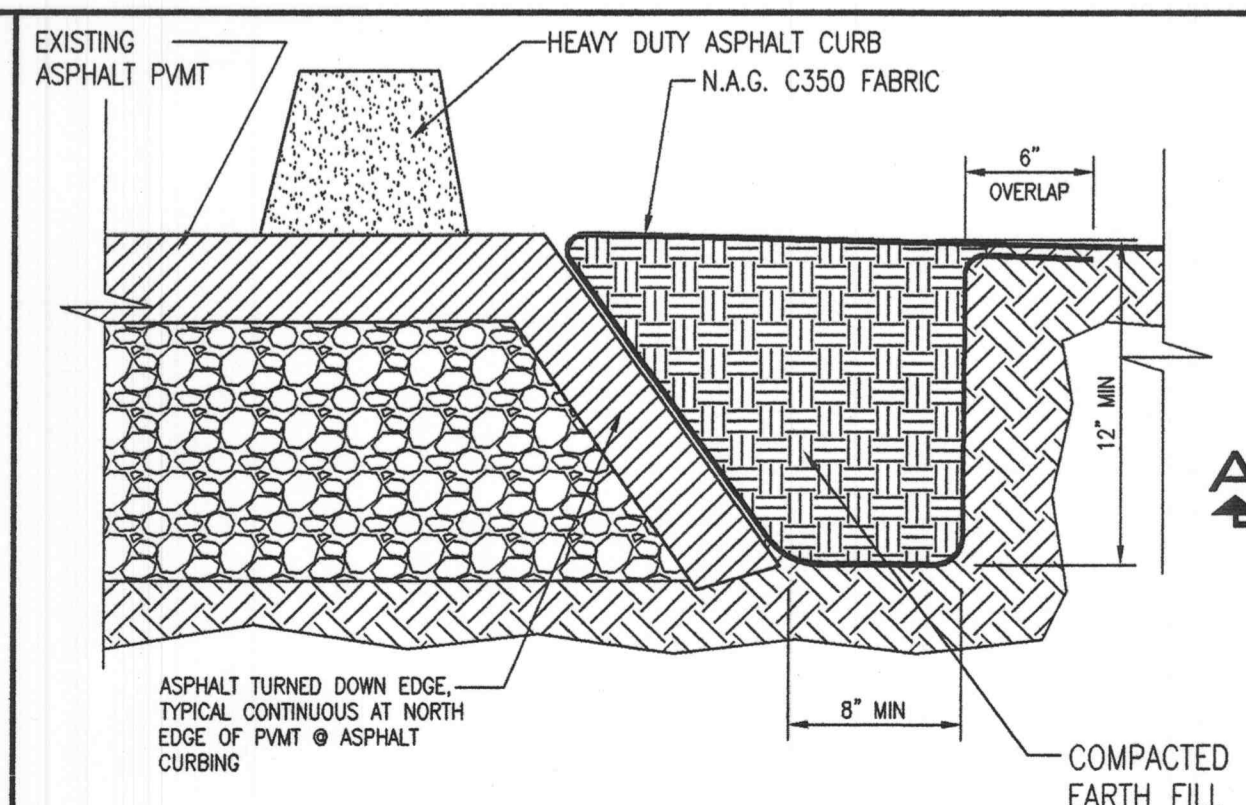
**DISCLAIMER OF RESPONSIBILITY**  
I hereby specify that the documents intended to be authorized by my seal are limited to this sheet, and I hereby disclaim any responsibility for all other drawings, specifications, estimates, reports or other documents or instruments relating to or intended to be used for any part or parts of the architectural or engineering project or survey.



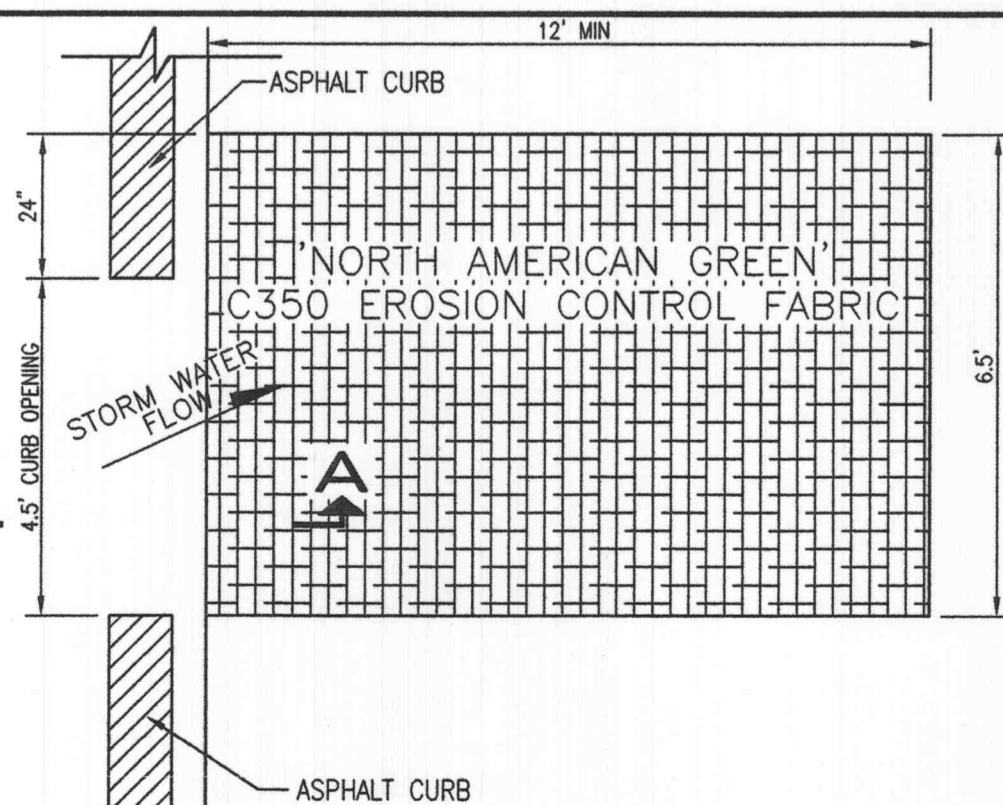
NO.	DATE	ADDENDUM #1
1	11/22/05	
2	1-31-06	Hand Roll, Notes
3	2/24/06	REV RET WALL
PROJECT NO. 980167		CONTRACT NO. 0010
DRAWN	DGN	CHECKED GSN
DATE	11-11-05	



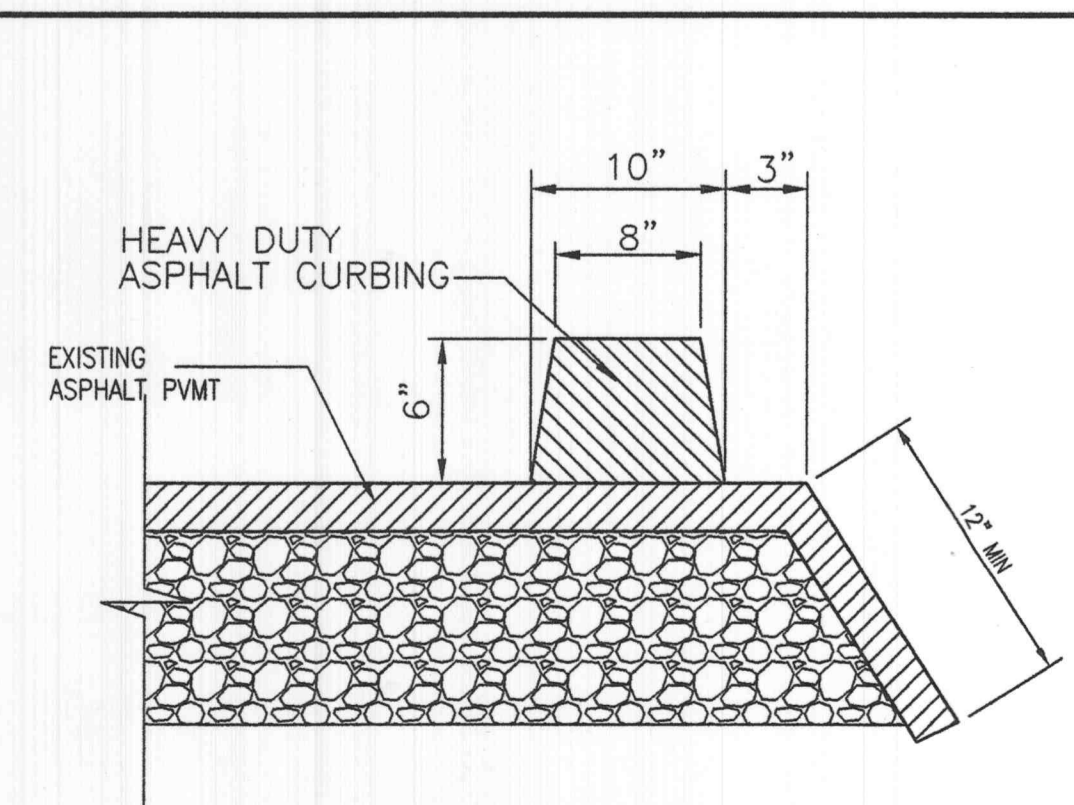
**11 CONCRETE CART PATH DETAIL**  
N.T.S.



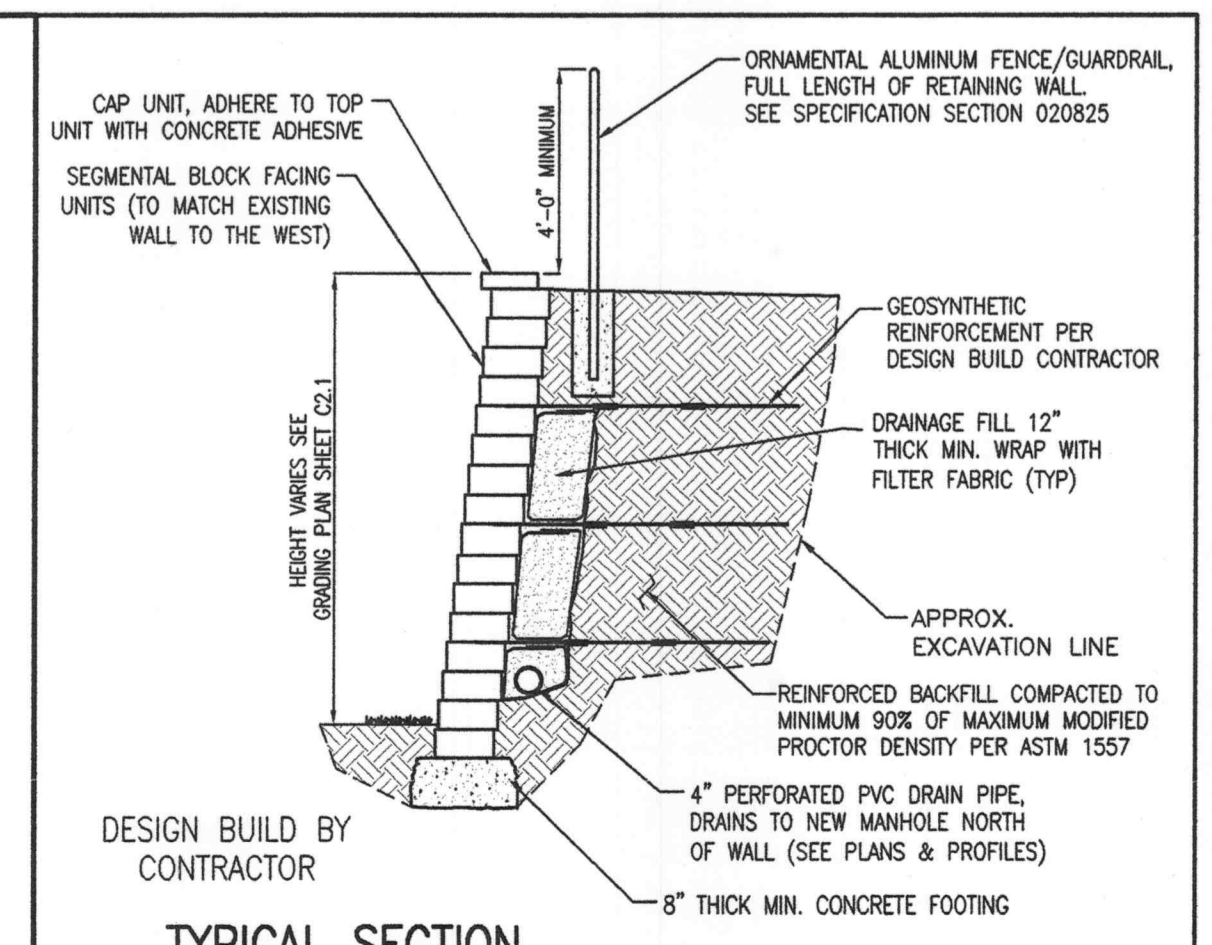
**17 CURB OPENING AND EROSION CONTROL**  
N.T.S.



**PLAN VIEW OF OPENING AND FABRIC**



**18 HEAVY DUTY ASPHALTIC CURB AND TURNED DOWN EDGE**  
N.T.S.



**17 TYPICAL SECTION SEGMENTED BLOCK RETAINING WALL**  
NOT TO SCALE

**GRADING PLAN**  
SHEET 2 OF 2  
**C2.1**  
Copyright © 1999 Kuhlmann Design Group, Inc. All rights reserved.