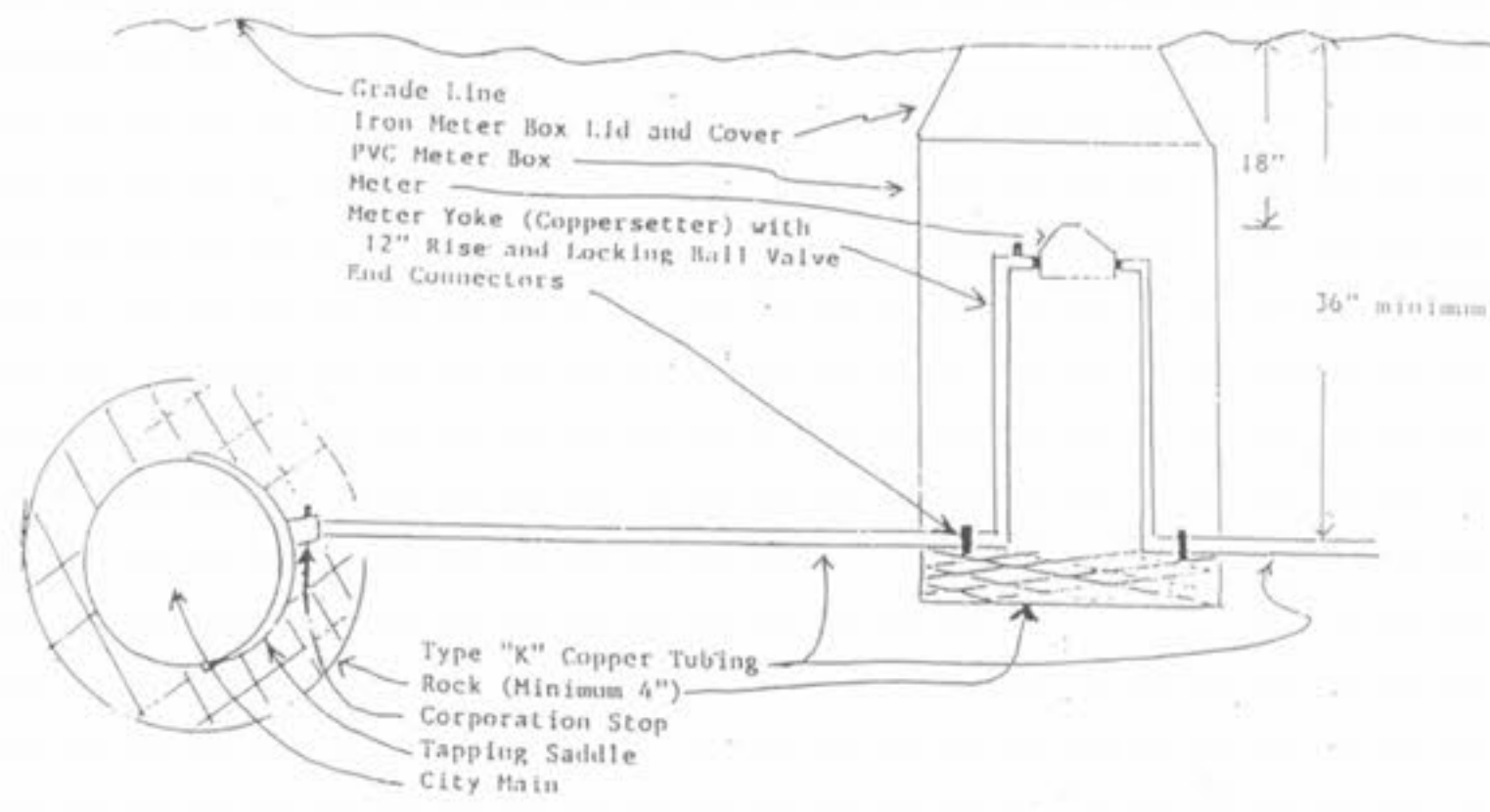
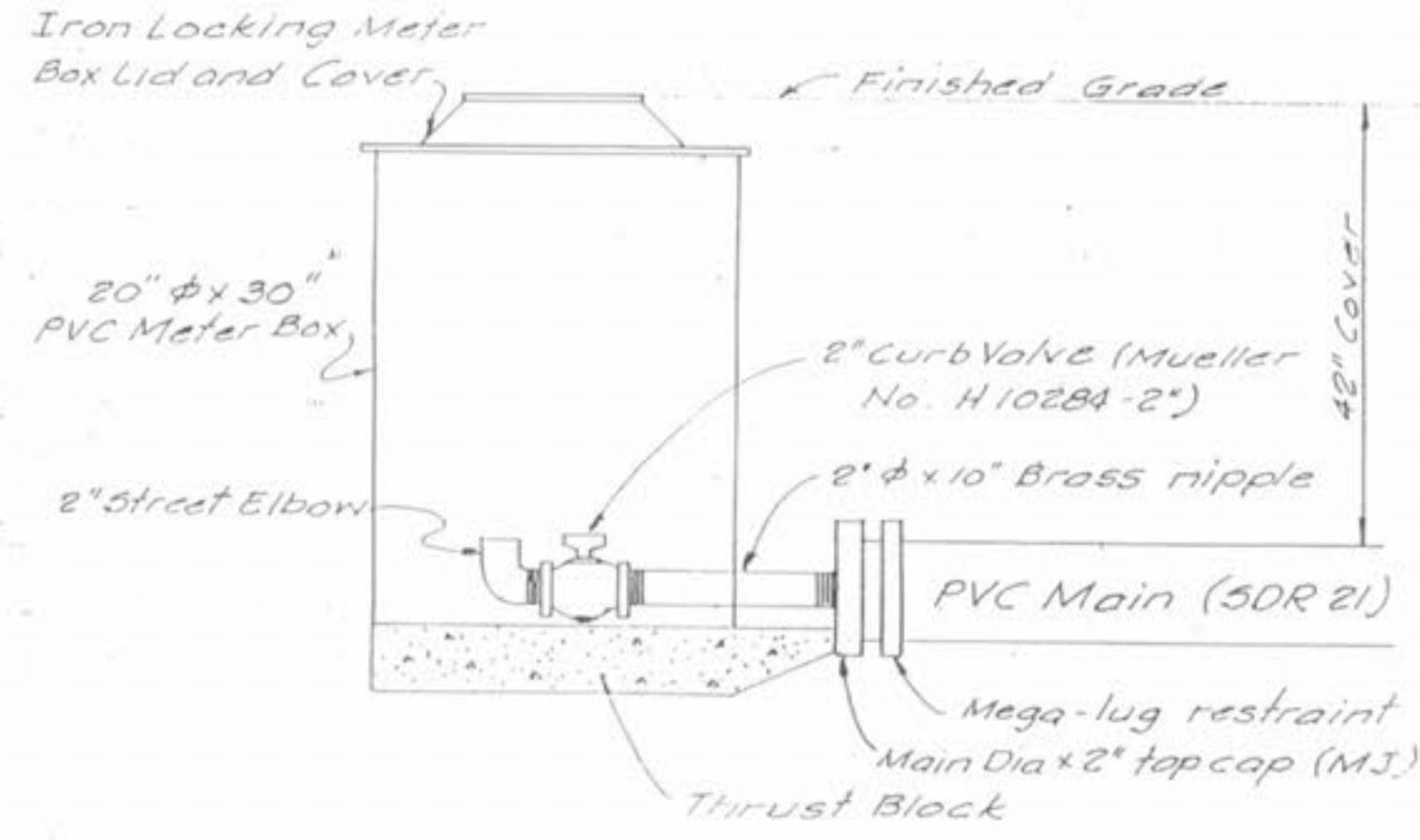


STANDARD METER INSTALLATION

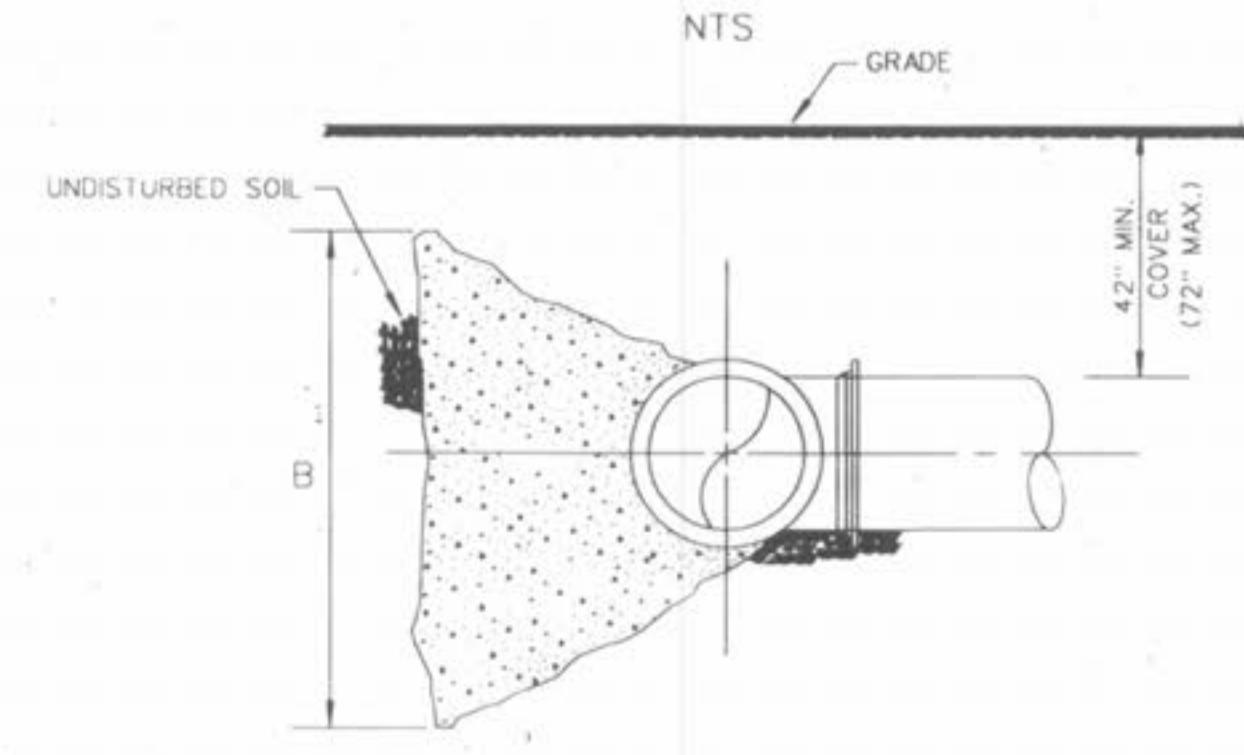


MATERIAL LIST - 1" WATER METER SERVICE

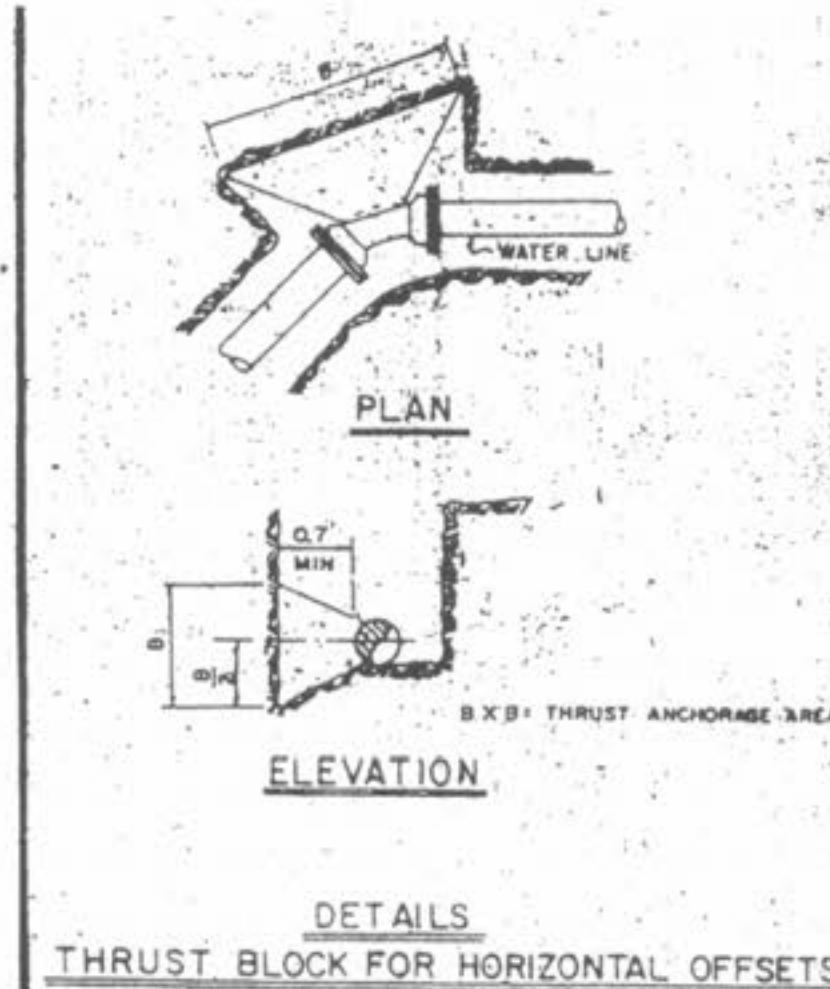
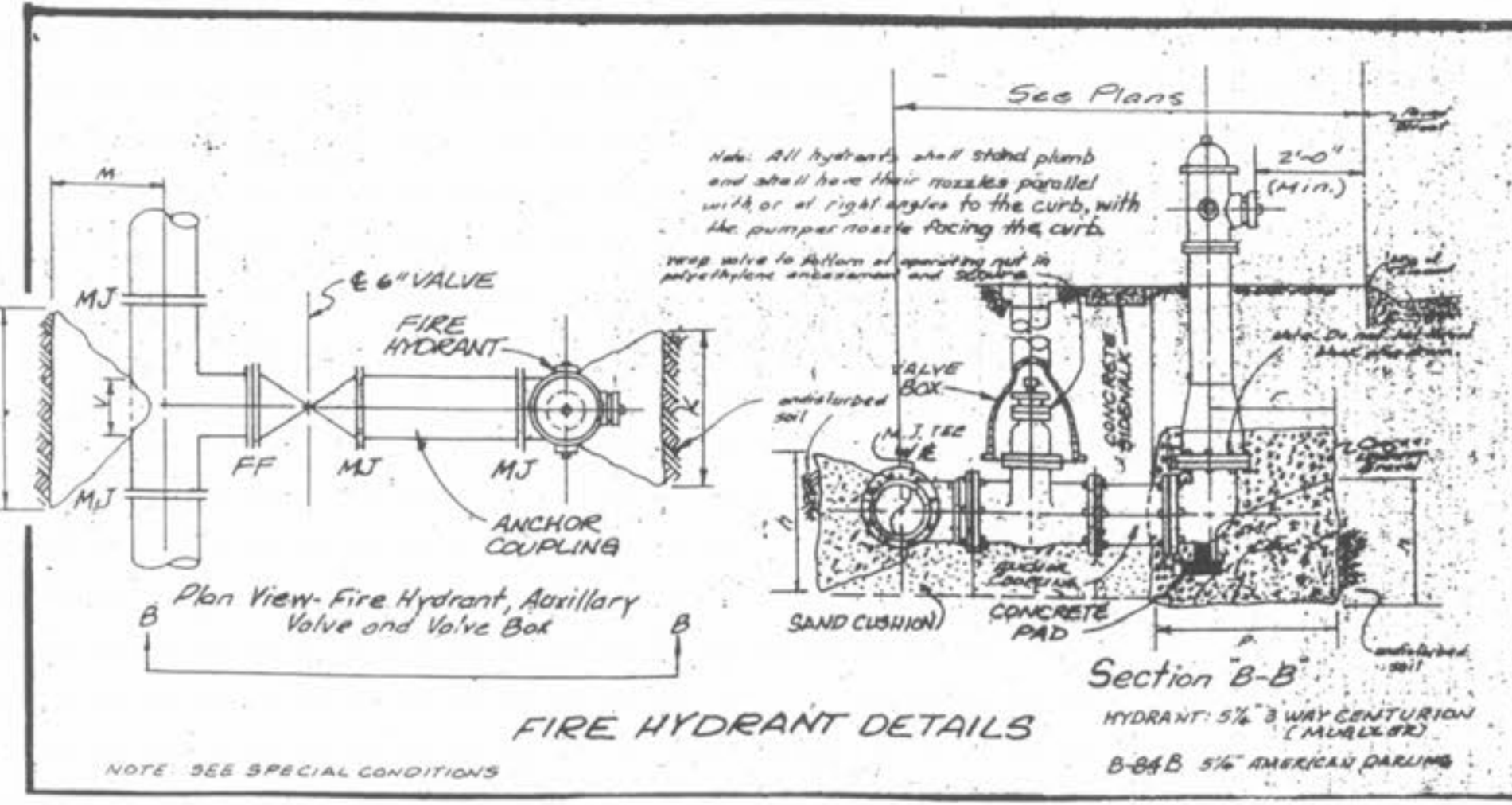
- 1" Sensus SRII MTR, TRPL, 100 GL PLAS BNT
- 1" Meter Yoke with 12" Rise and Locking Ball Valve (B2404-1")
- 1" Corporation Stop (B25008-1")
- 2 - 1" End Connectors, Compression (H-14227-1")
- 20 6150 MTR Box Cover LN w/TR
- 20" x 30" Meter Tile (MIDSTATES)
- 1" x 8" Tapping Saddle, PVC (H13433-1")
- 1" x 10" Tapping Saddle, PVC (H13434-1")
- 1" x 6" Tapping Saddle, PVC



STANDARD BLOW-OFF



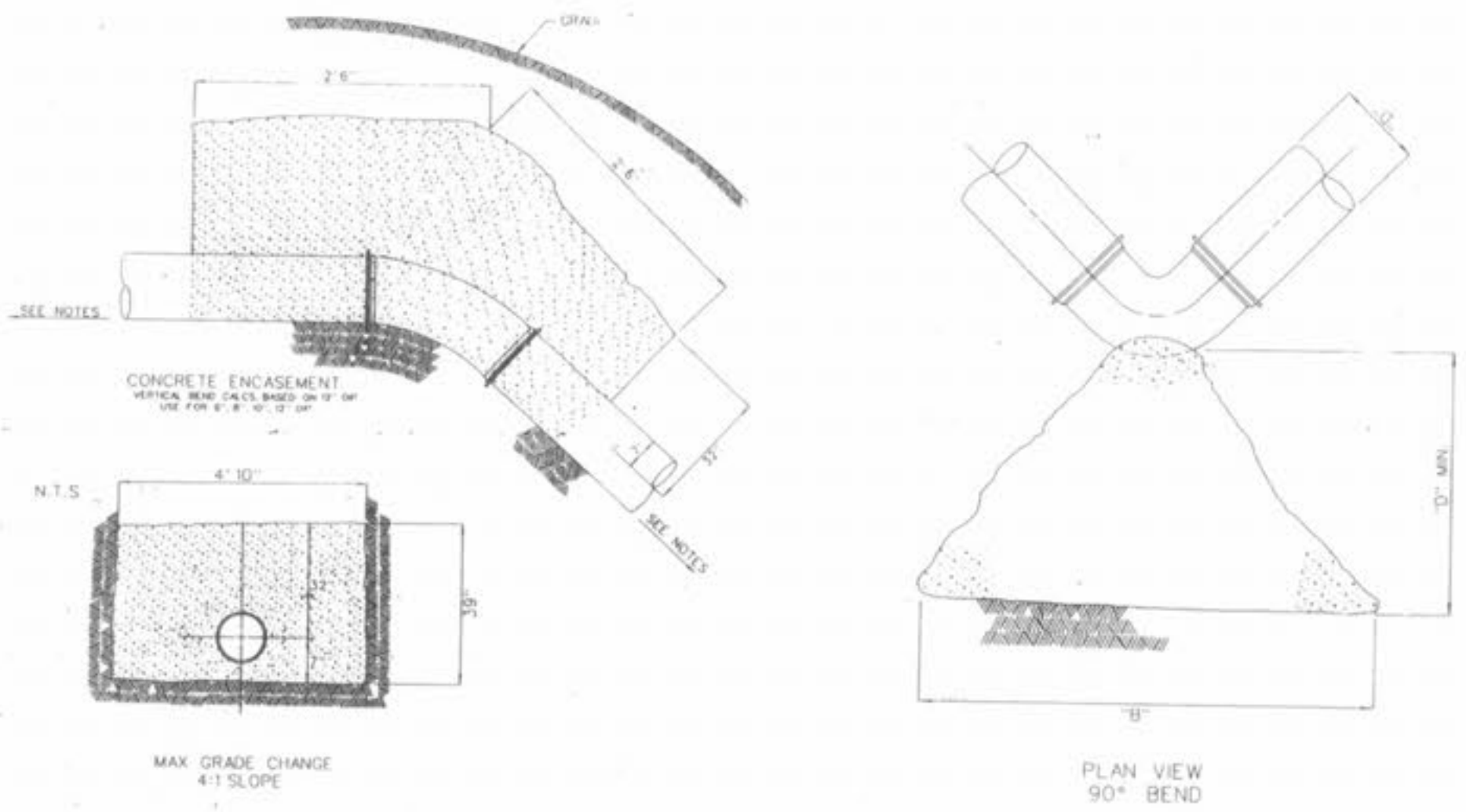
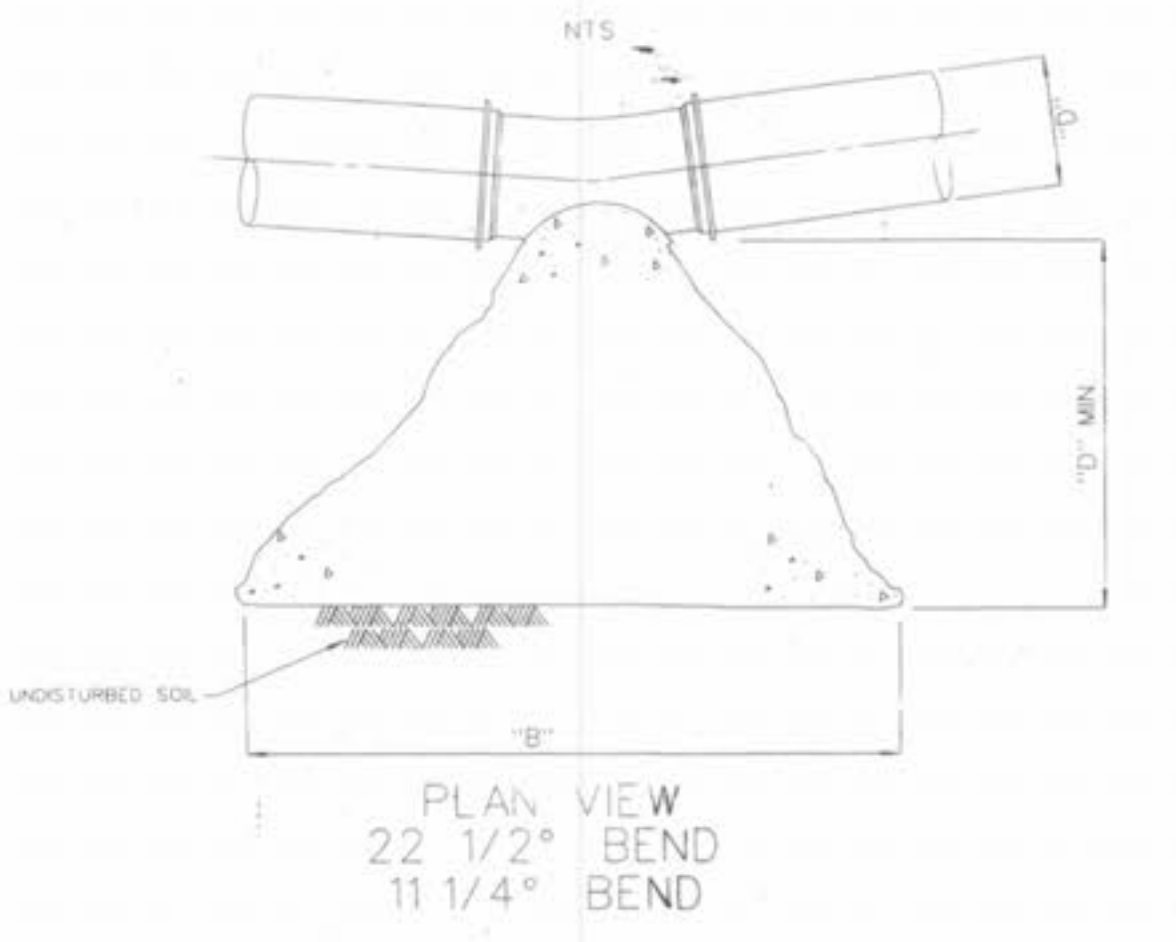
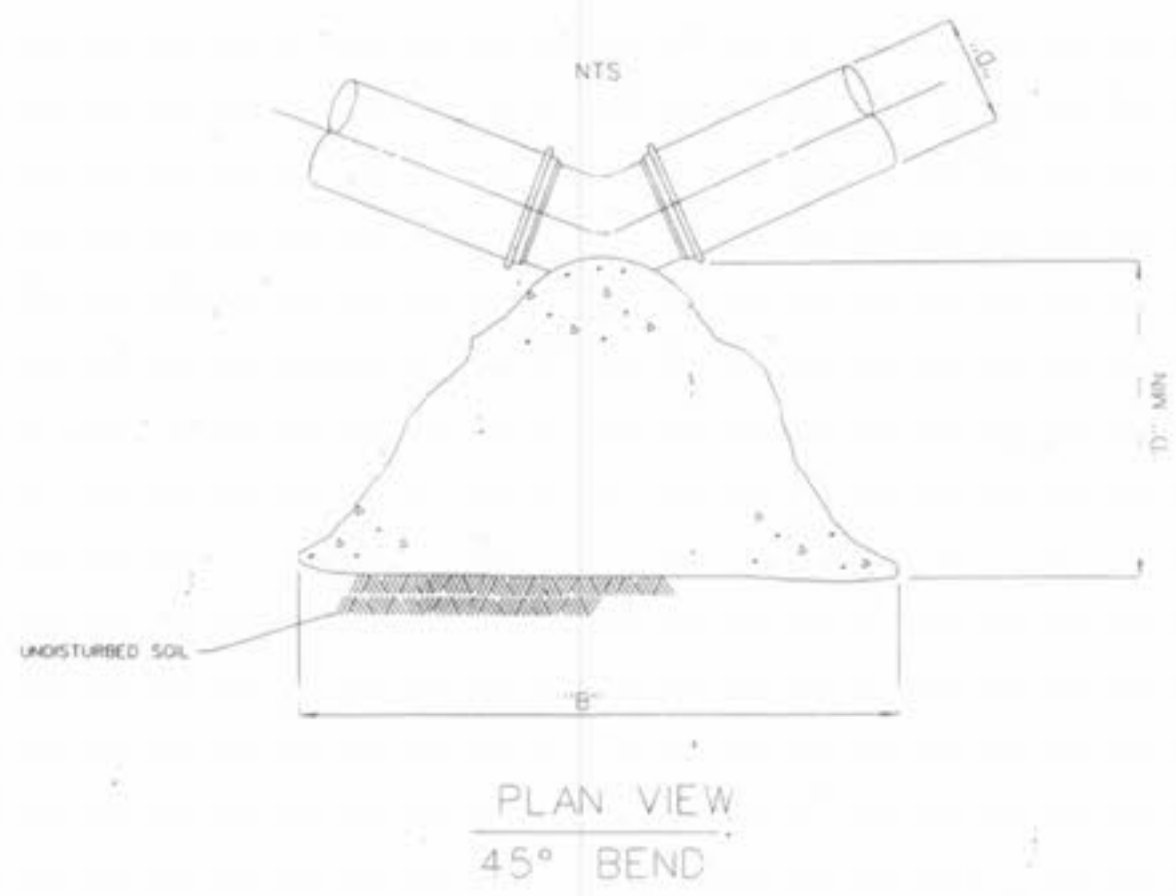
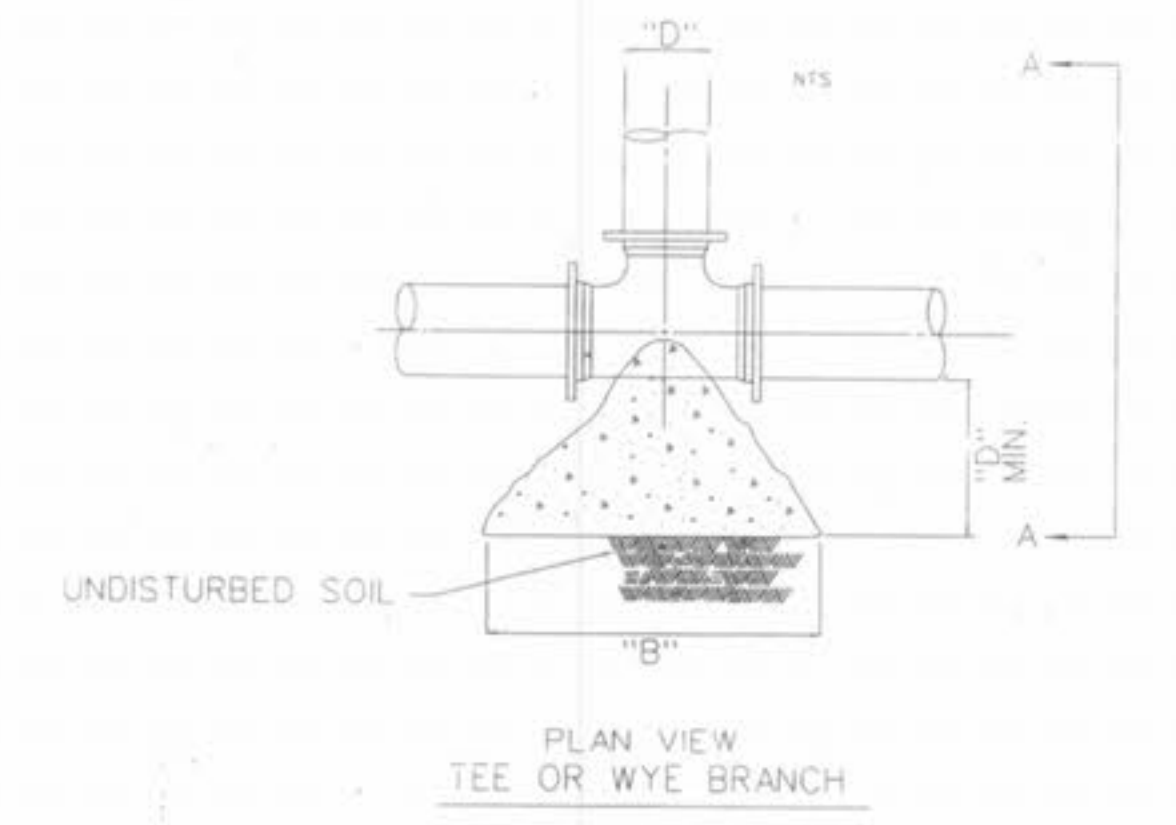
SECTION "A - A"
TYPICAL FOR ALL THRUST BLOCKS EXCEPT AS NOTED



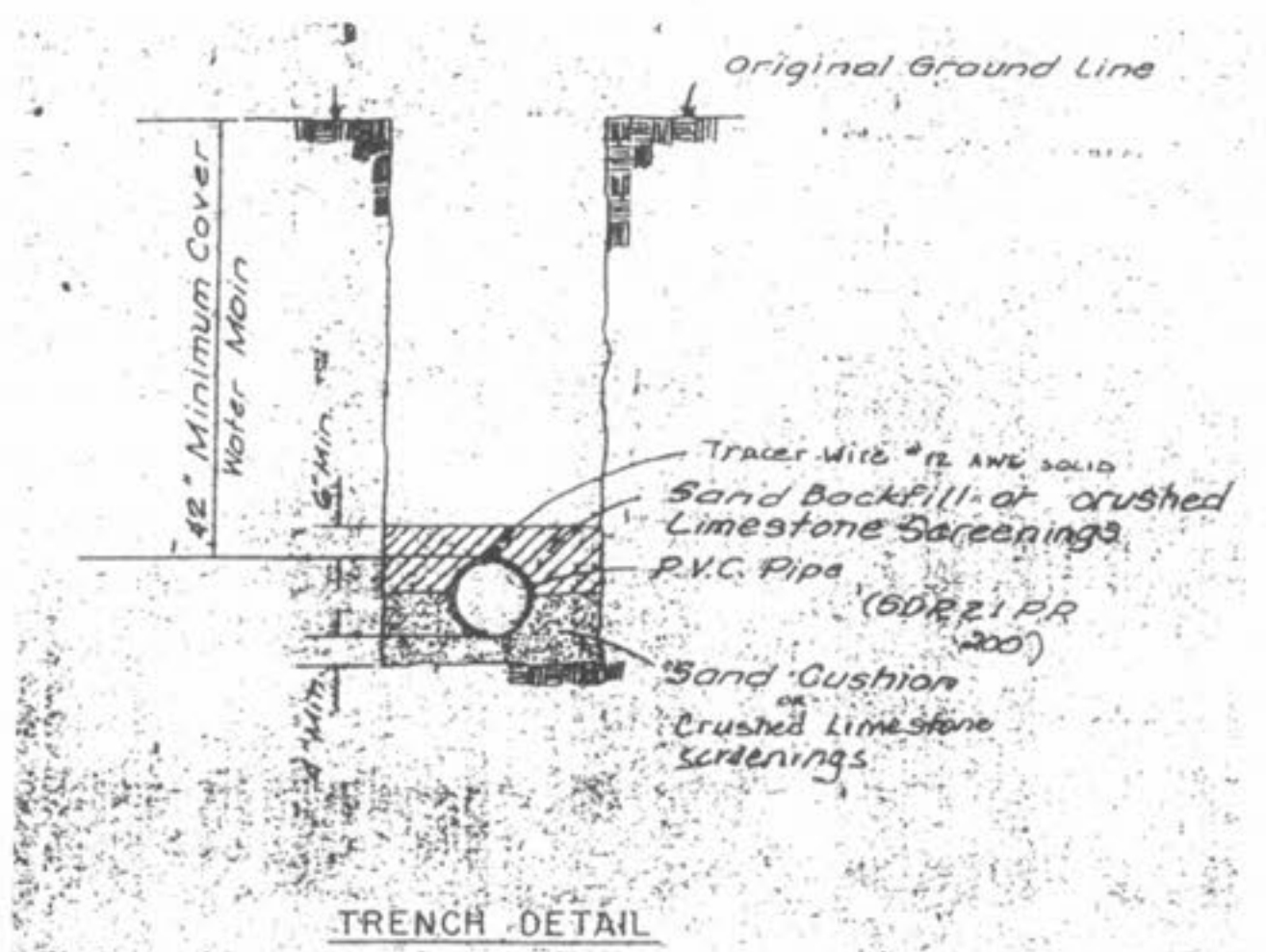
PIPE DIA.	90° BENDS	45° BENDS	22.5° BENDS	WYES & TEES
2"	1.0	0.7	1.0	0.7
3"	1.0	0.7	1.0	0.7
4"	1.0	0.7	1.0	0.7
6"	1.4	1.0	1.0	1.0
8"	1.8	1.4	1.0	1.0
10"	2.3	1.7	1.2	1.2
12"	2.7	2.0	1.4	1.4
14"	3.2	2.4	1.6	1.6
16"	3.6	2.7	1.7	1.7

THRUST BLOCKS
NOT TO SCALE

Dimensions are as shown above. Thrust blocks shall be used in poor soil conditions (sandy, saturated clay, etc.) and use of larger thrust area. See chart for determination of area of thrust block in poor soil conditions.



NOTE:
IF AMERICAN DARLING FIRE HYDRANTS ARE TO BE USED, THE CONTRACTOR SHALL FURNISH TO THE CITY REPAIR PARTS (REBUILD KITS, AND WRENCHES FOR SEAT REMOVAL).



WINGHAVEN