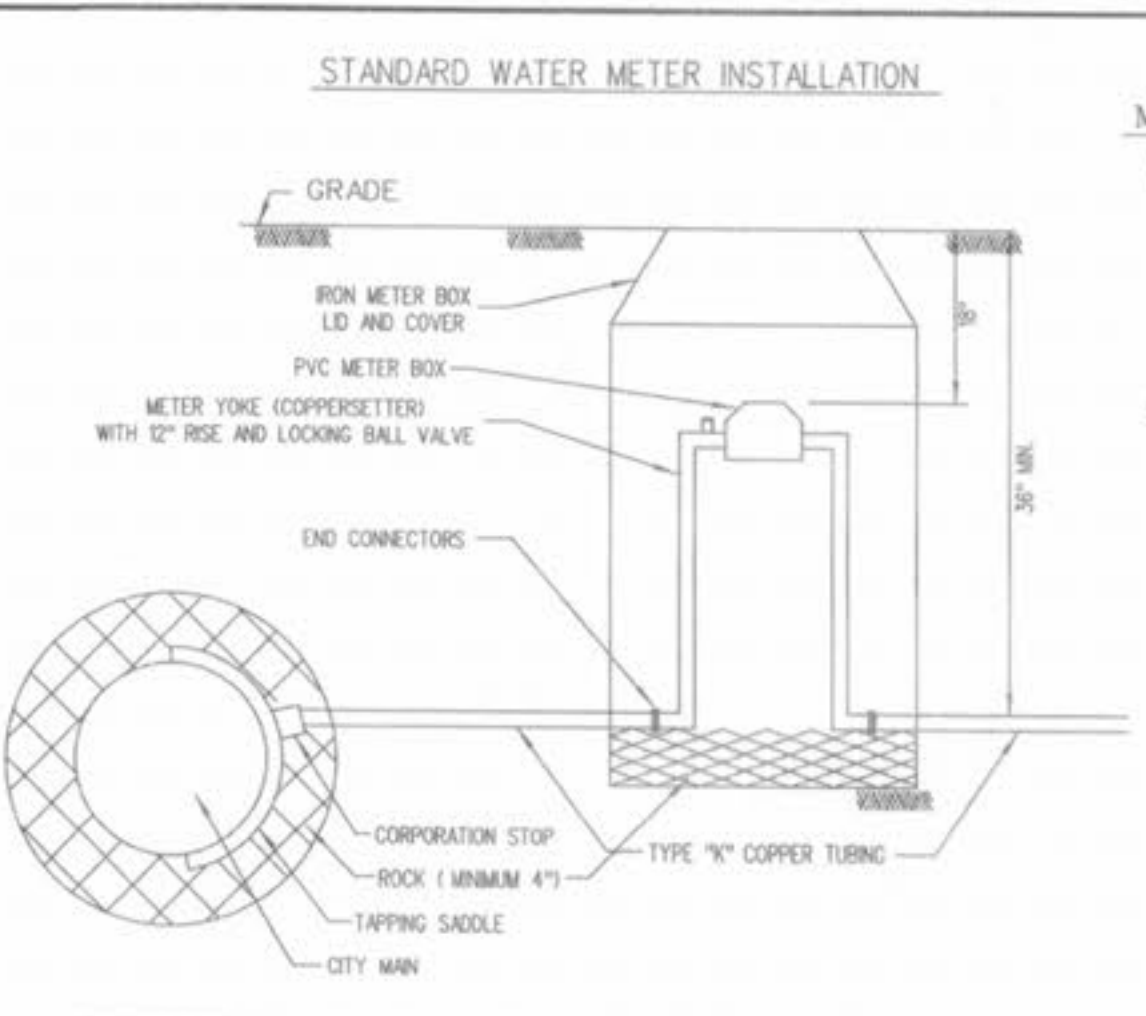
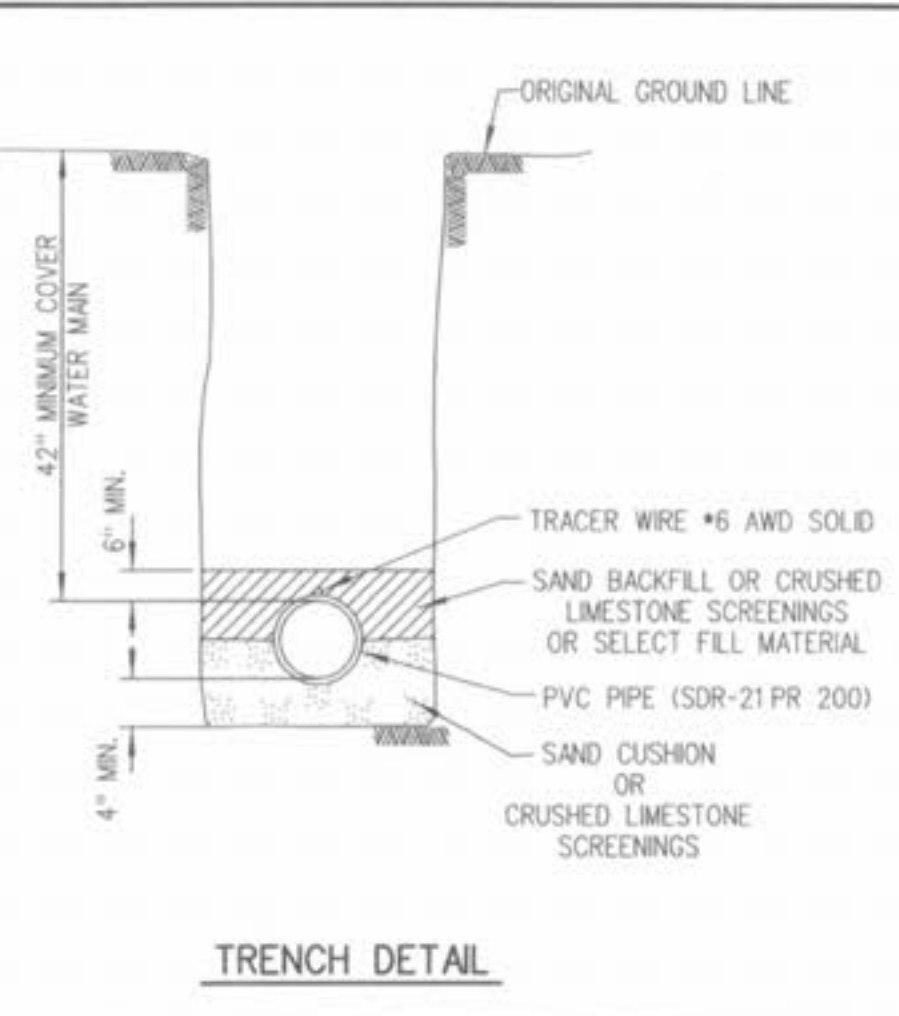
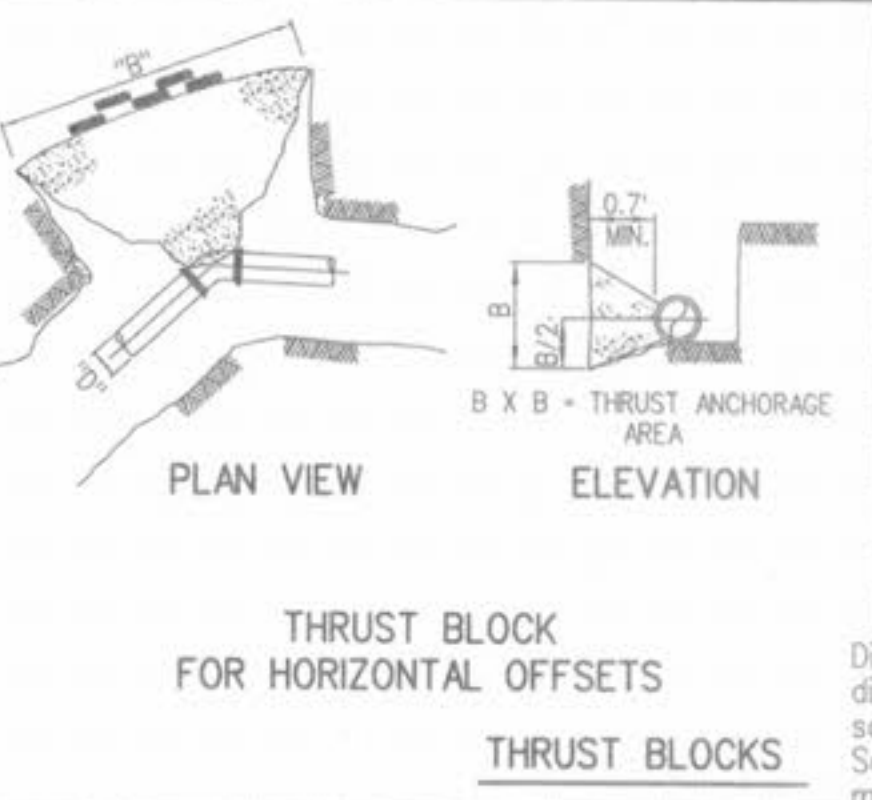
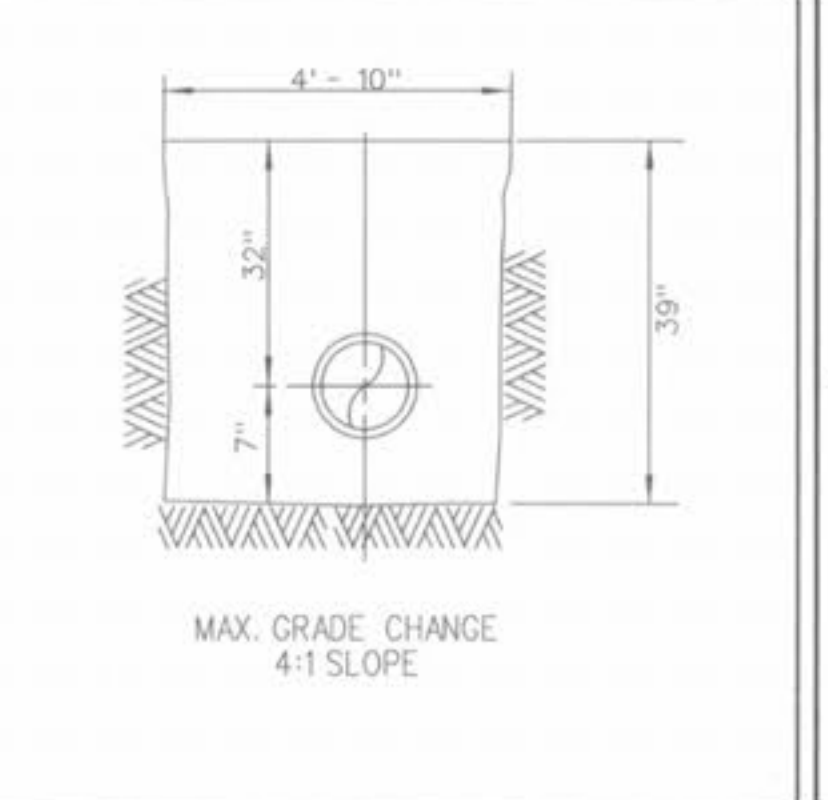
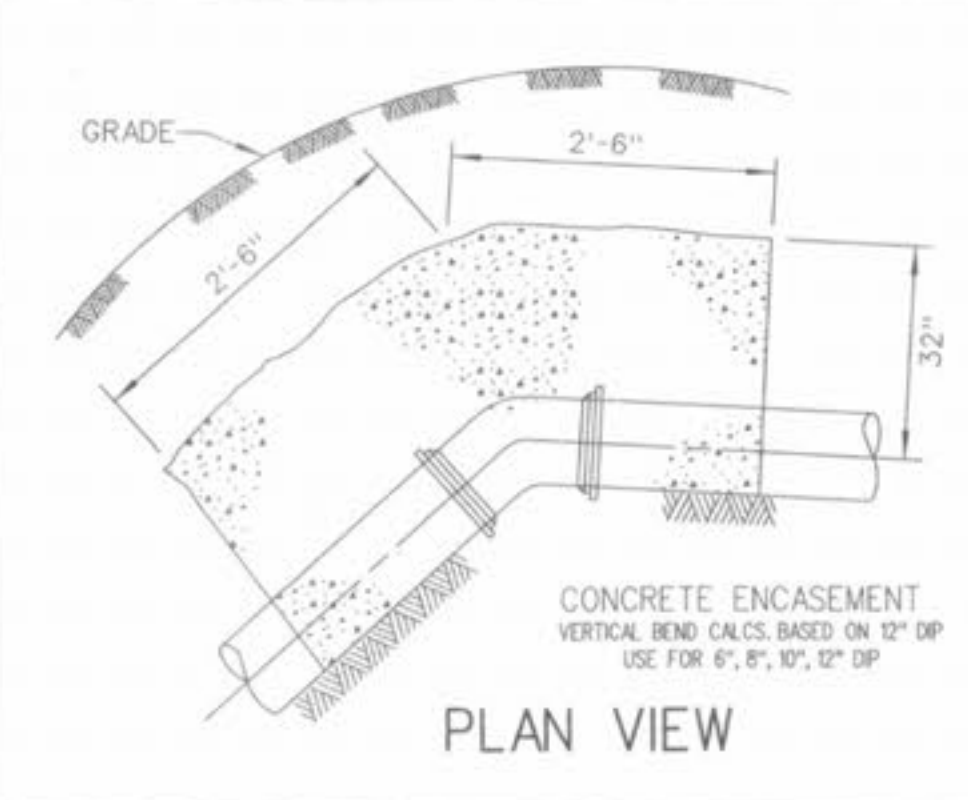
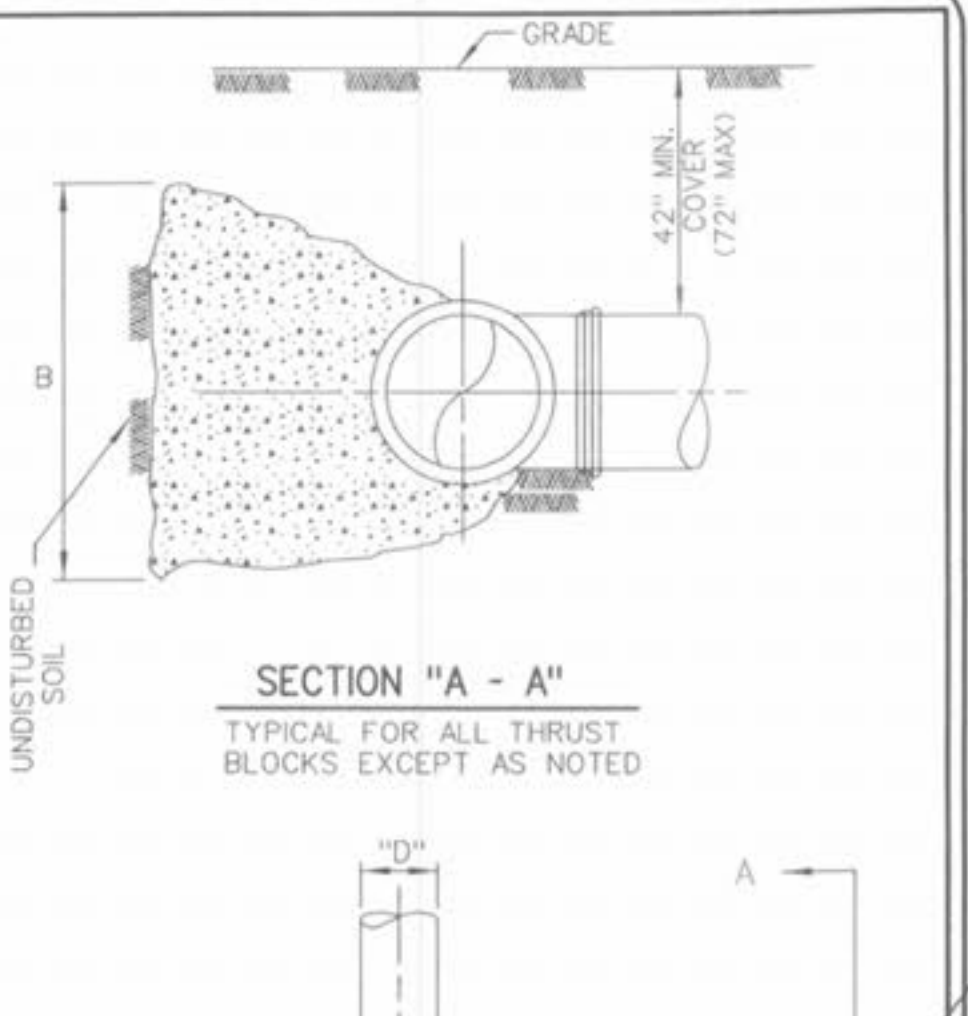
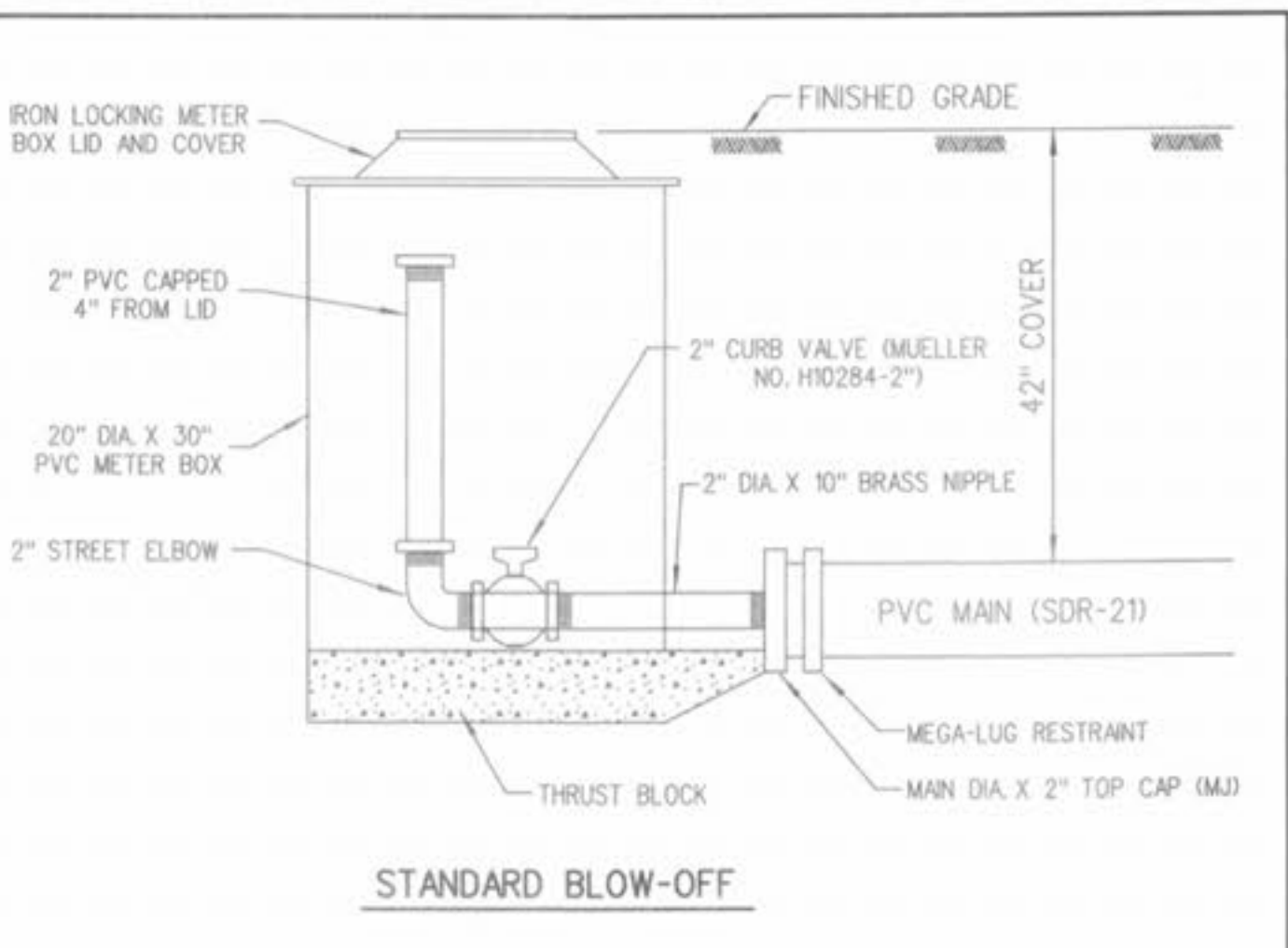


NOTE:
GRANULAR FILL REQUIRED WHERE WATER MAIN IS UNDER PAVEMENT AND TO 1:1 SHEAR PLANE LINE.

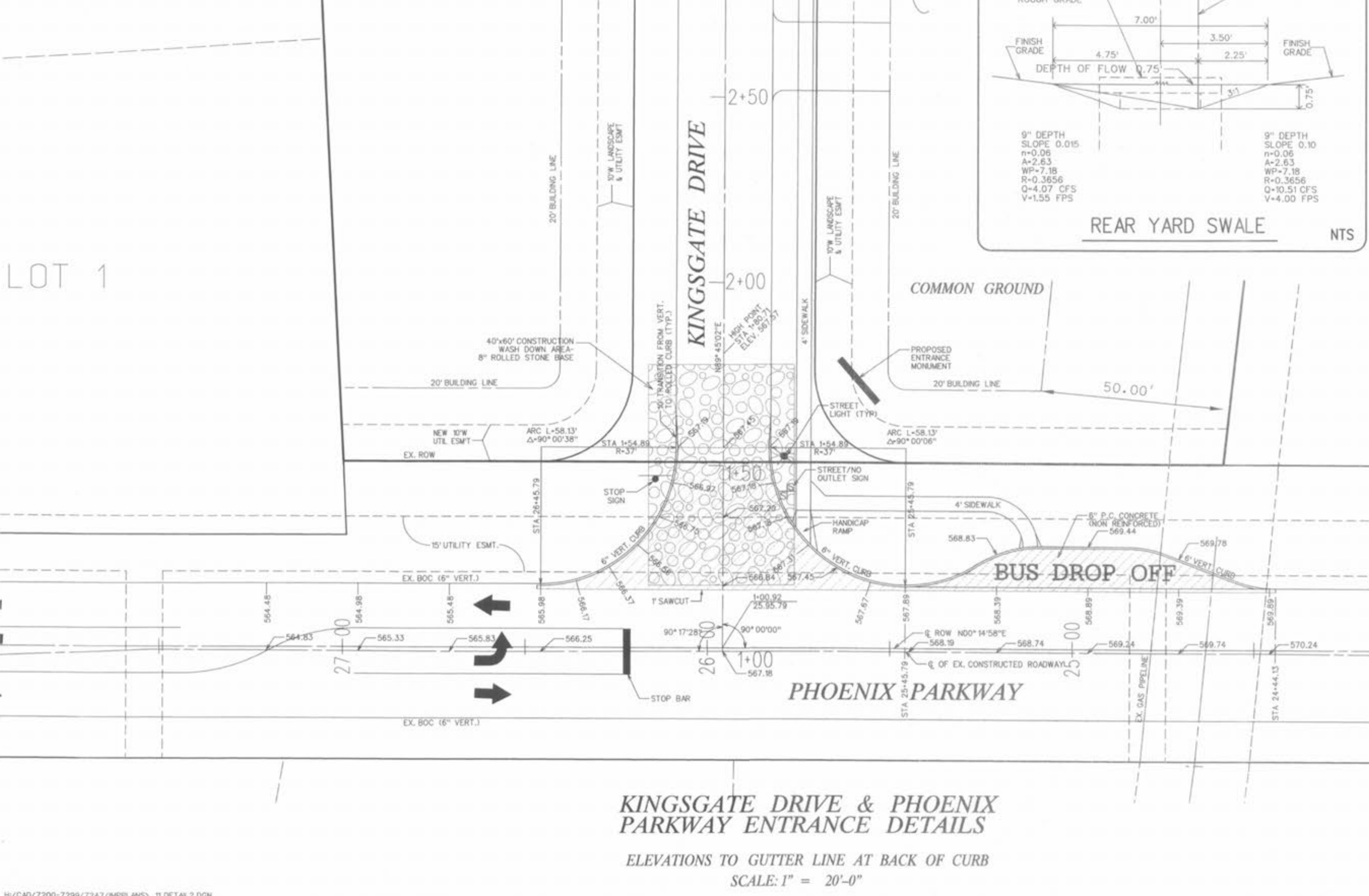
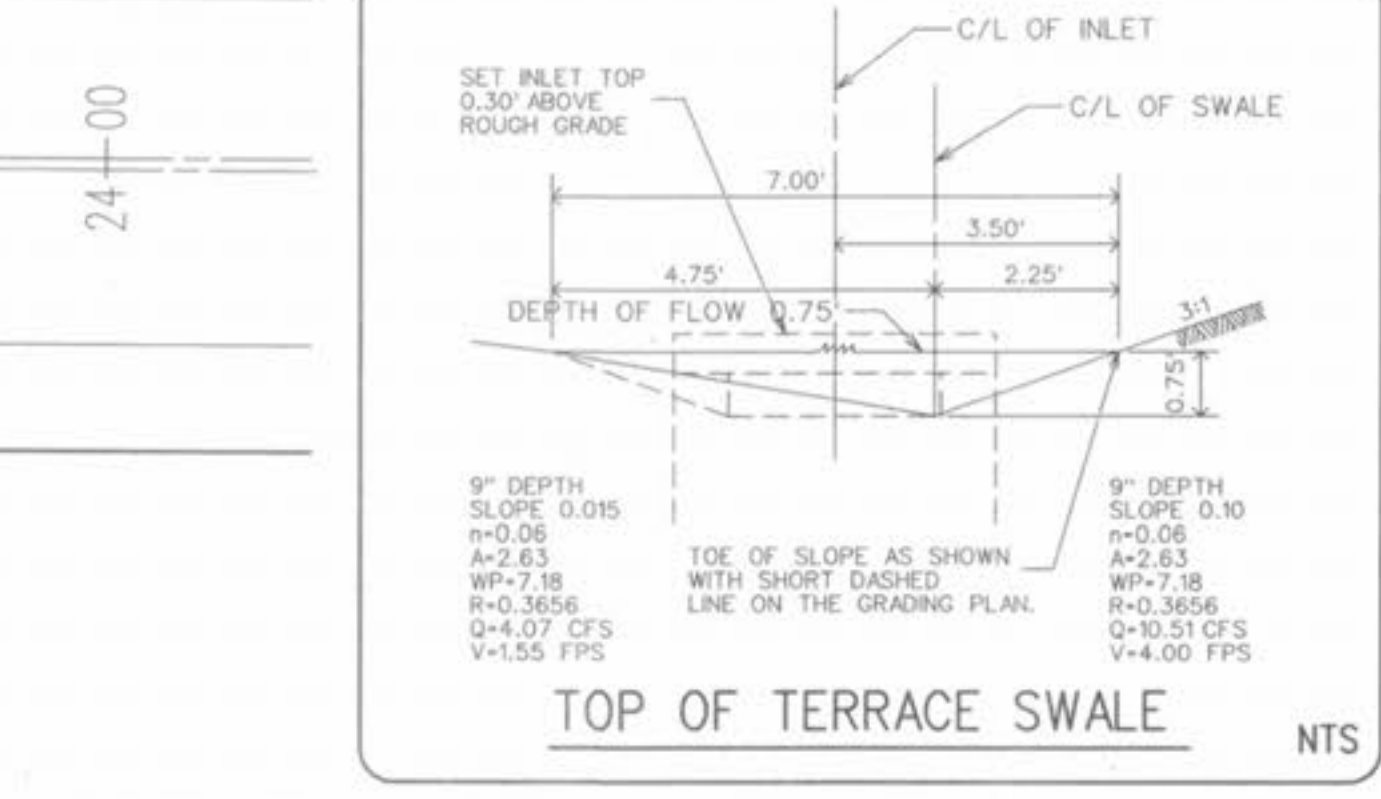
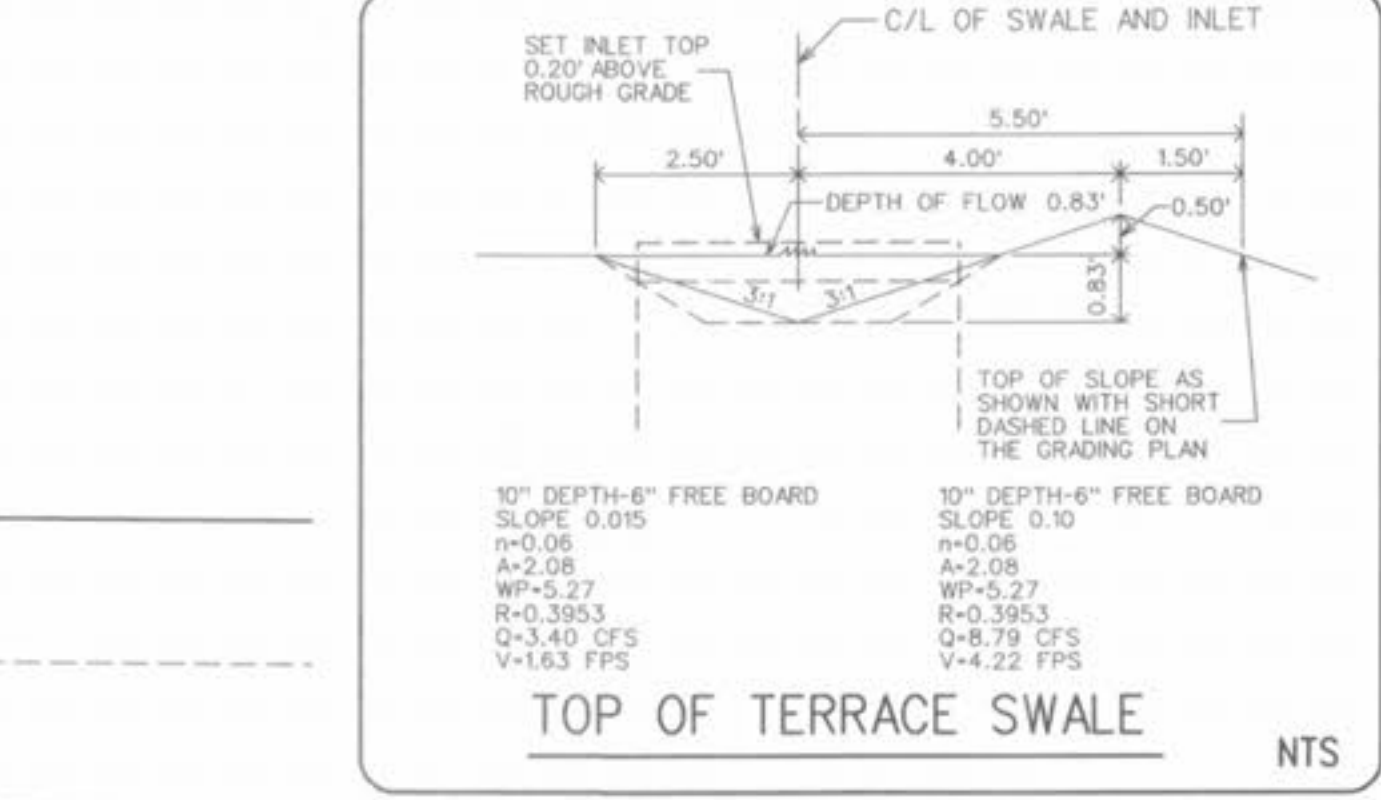
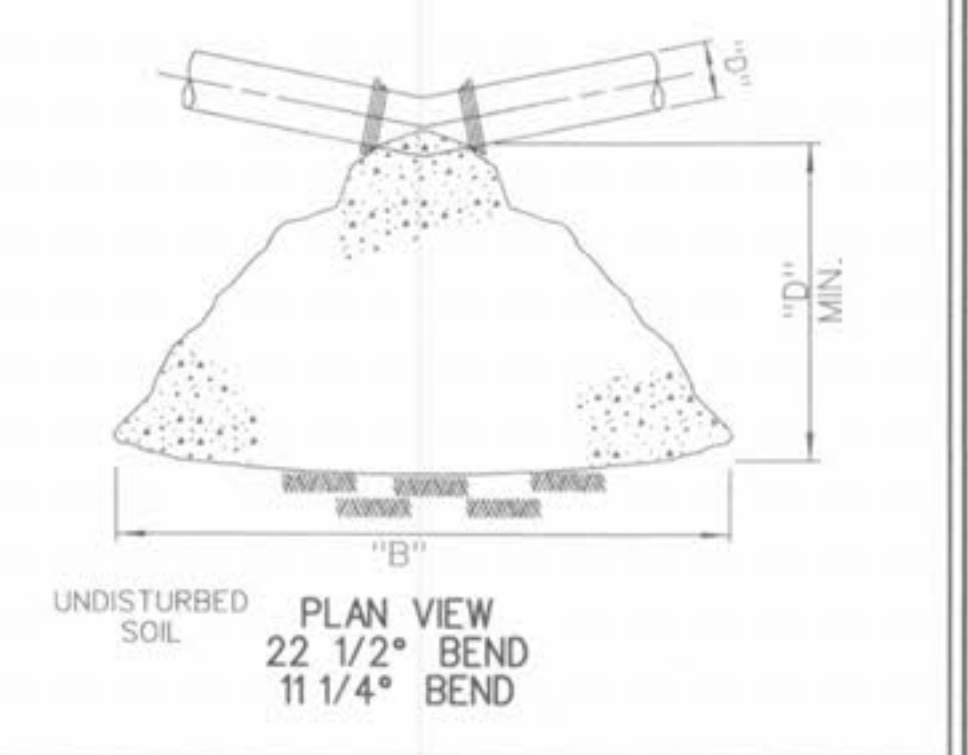
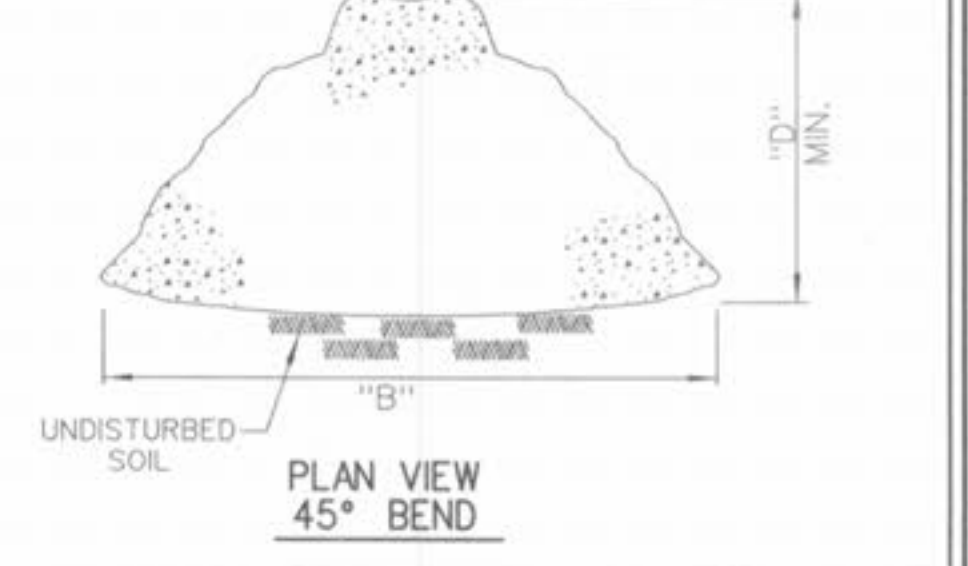
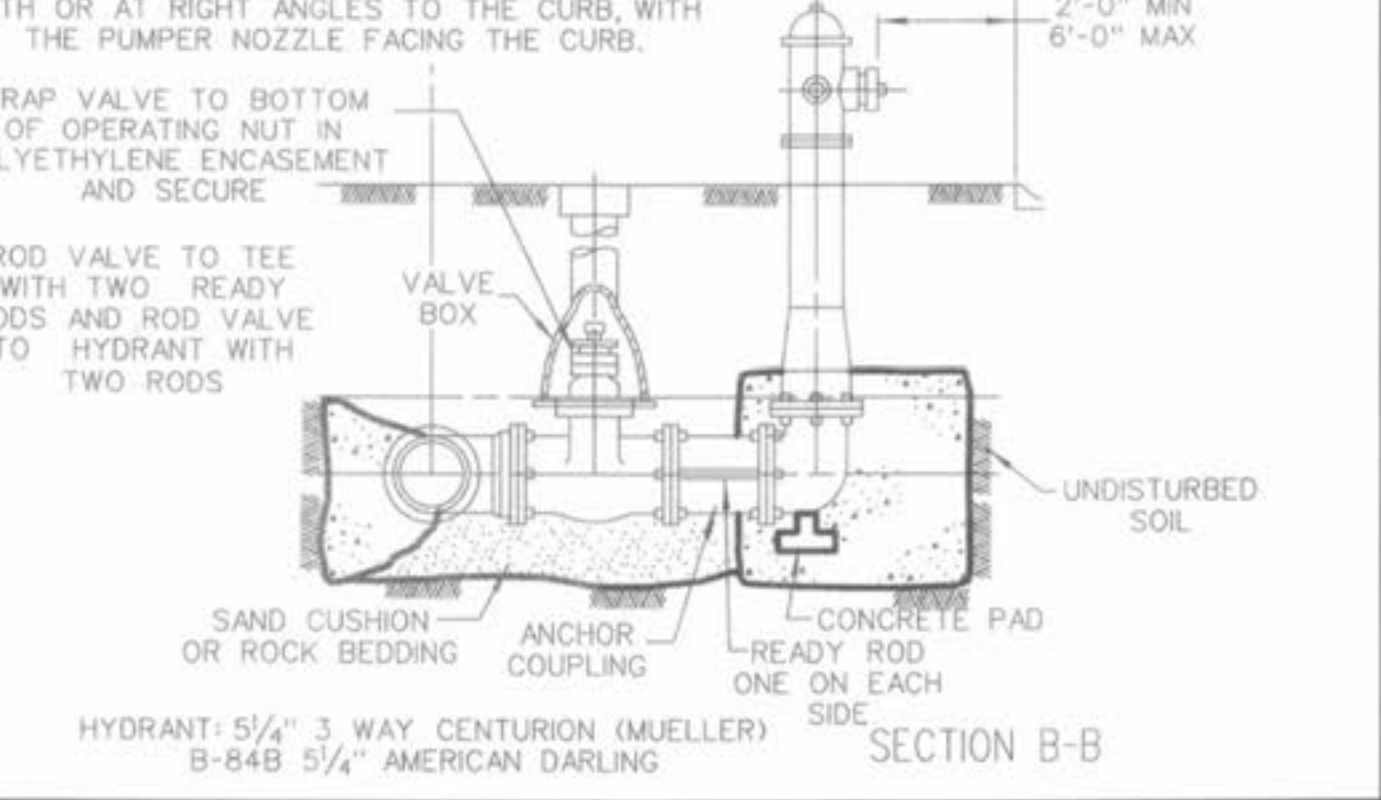
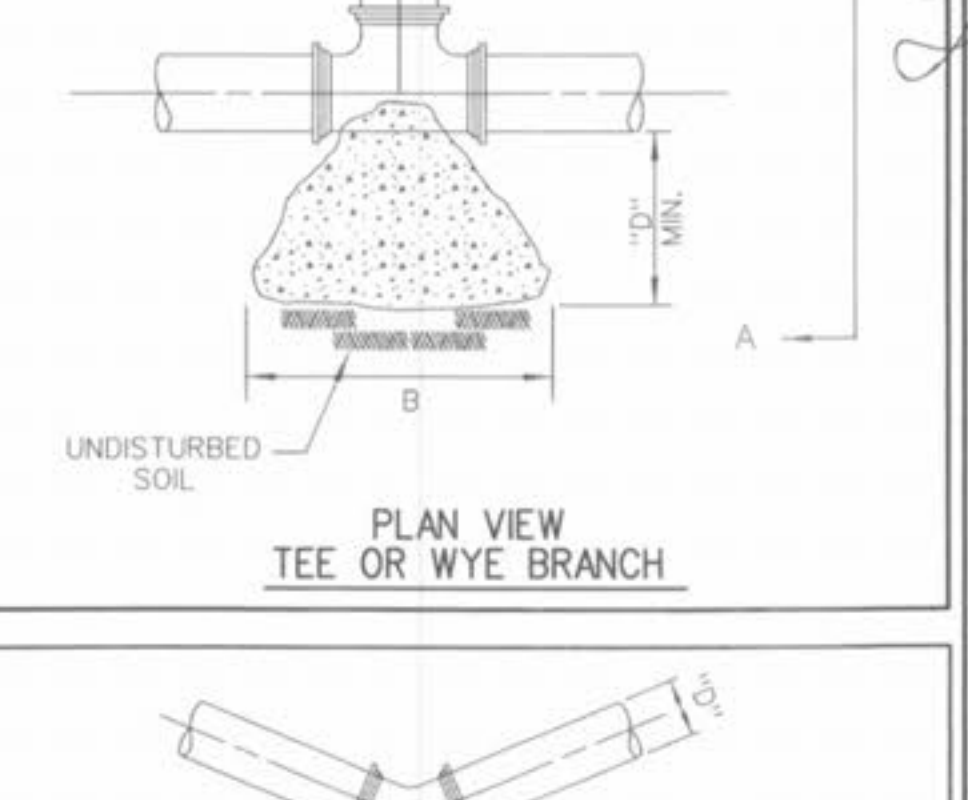
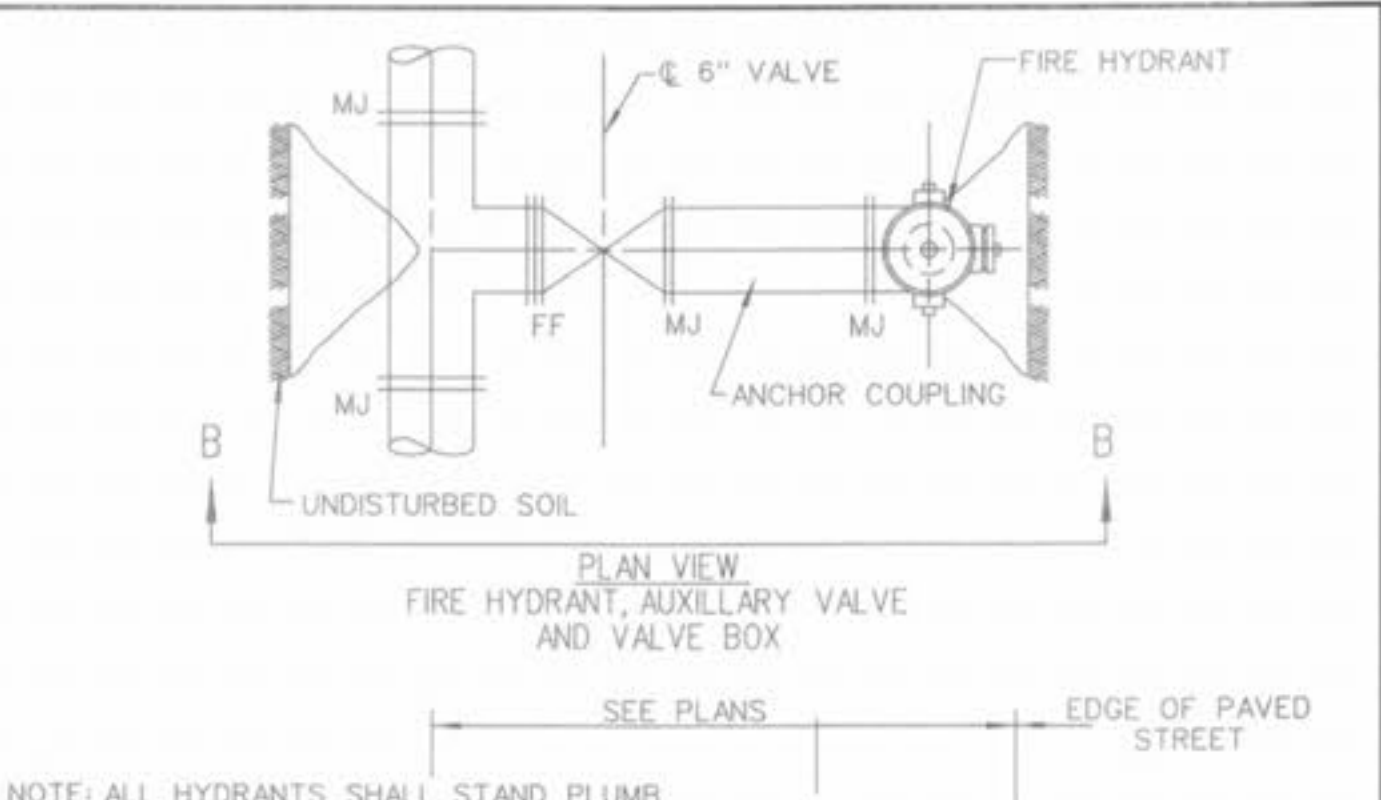


- MATERIAL LIST - 1" WATER METER SERVICE**
- 1" Sensus SR11 MTR, TRPL, 100 GL. PLAS BNT
 - 1" Meter Yoke with 12" Rise and Locking Ball Valve (B2404-1")
 - 1" Corporation Stop (B25008-1")
 - 2-1" End Connectors, Compression (H14227-1")
 - 20 6150 MTR Box Cover 1.1N w/TR
 - 20" X 30" Meter Tile (MIDSTATES)
 - 1" X 8" Tapping Saddle, PVC (H13433-1")
 - 1" X 10" Tapping Saddle, PVC (H13434-1")
 - 1" X 6" Tapping Saddle, PVC



PIPE DIM.	90° BENDS		45° BENDS		22.5° BENDS		WYES & TEES	
	B	D	B	D	B	D	B	D
2"	1.0	0.7	1.0	0.7	1.0	0.7	1.0	0.7
3"	1.0	0.7	1.0	0.7	1.0	0.7	1.0	0.7
4"	1.0	0.7	1.0	0.7	1.0	0.7	1.0	0.7
6"	1.4	1.0	1.0	1.0	1.0	1.0	1.0	1.0
8"	1.8	1.0	1.0	1.0	1.0	1.0	2.2	1.0
10"	2.3	1.2	1.7	1.2	1.2	1.2	2.7	1.2
12"	2.7	1.4	2.0	1.4	1.4	1.4	3.2	1.4
14"	3.2	1.5	2.4	1.5	1.7	1.5	3.2	1.5
16"	3.6	1.7	2.7	1.7	1.9	1.7	4.3	1.7

Dimensions are in feet. Use above thrust block dimensions unless poor soil conditions (organics, saturated clay, etc.) dictate use of larger thrust area. See chart at top center of this sheet for determination of area of thrust block in poor soil conditions.



WINGHAVEN RESIDENTIAL L.L.C.
11 MCBRIDE & SON
CENTER DRIVE
ST. LOUIS, MISSOURI 63005
PHONE (636) 537-2000

VOLZ



KINGSGATE at
WINGHAVEN

CONSTRUCTION DETAIL
Design By: T.F.K.
Drawn By: T.S.J.
Checked By: T.J.M.
7247

11-26-03
11

P&Z #9831.45.03