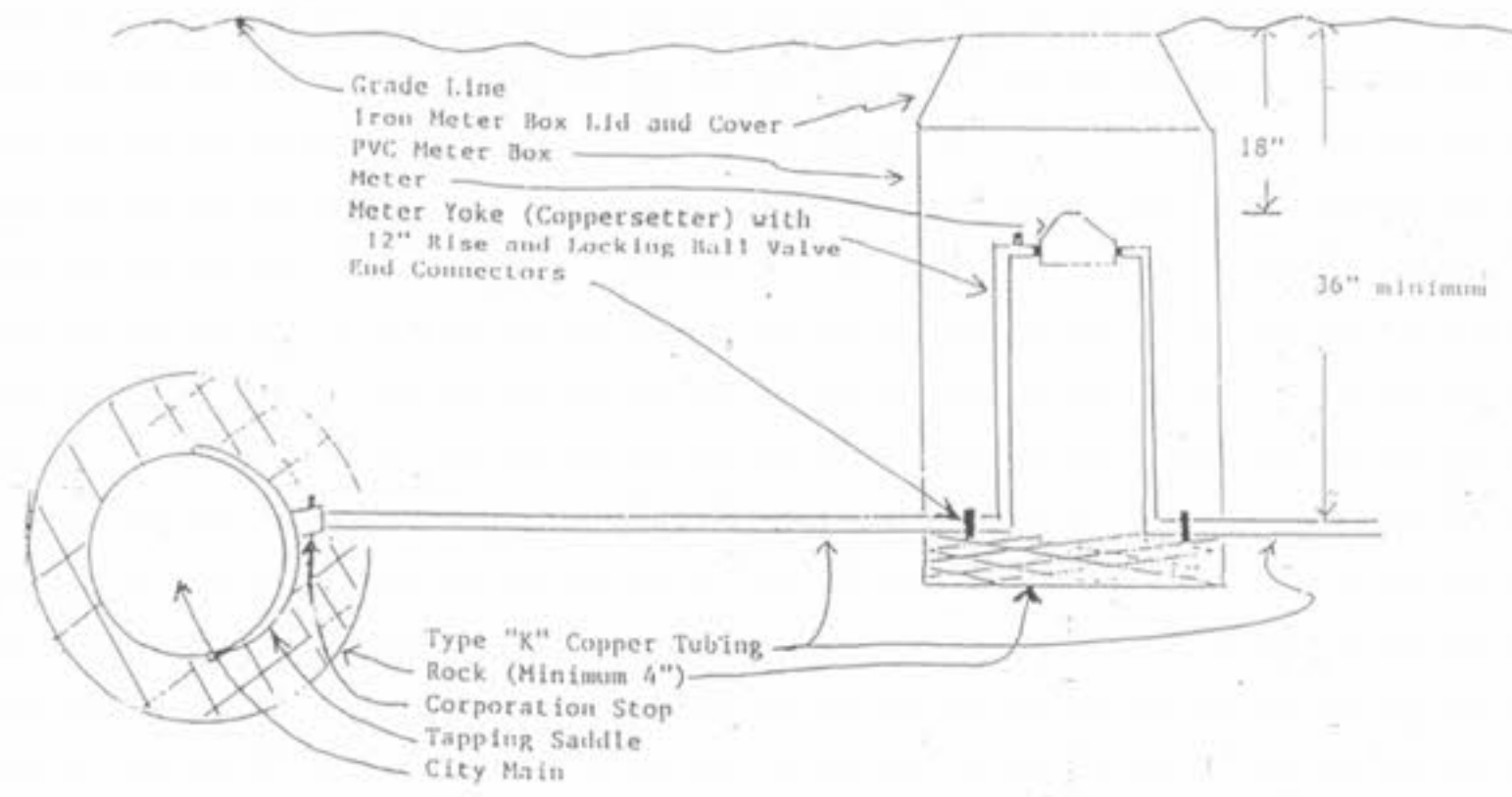
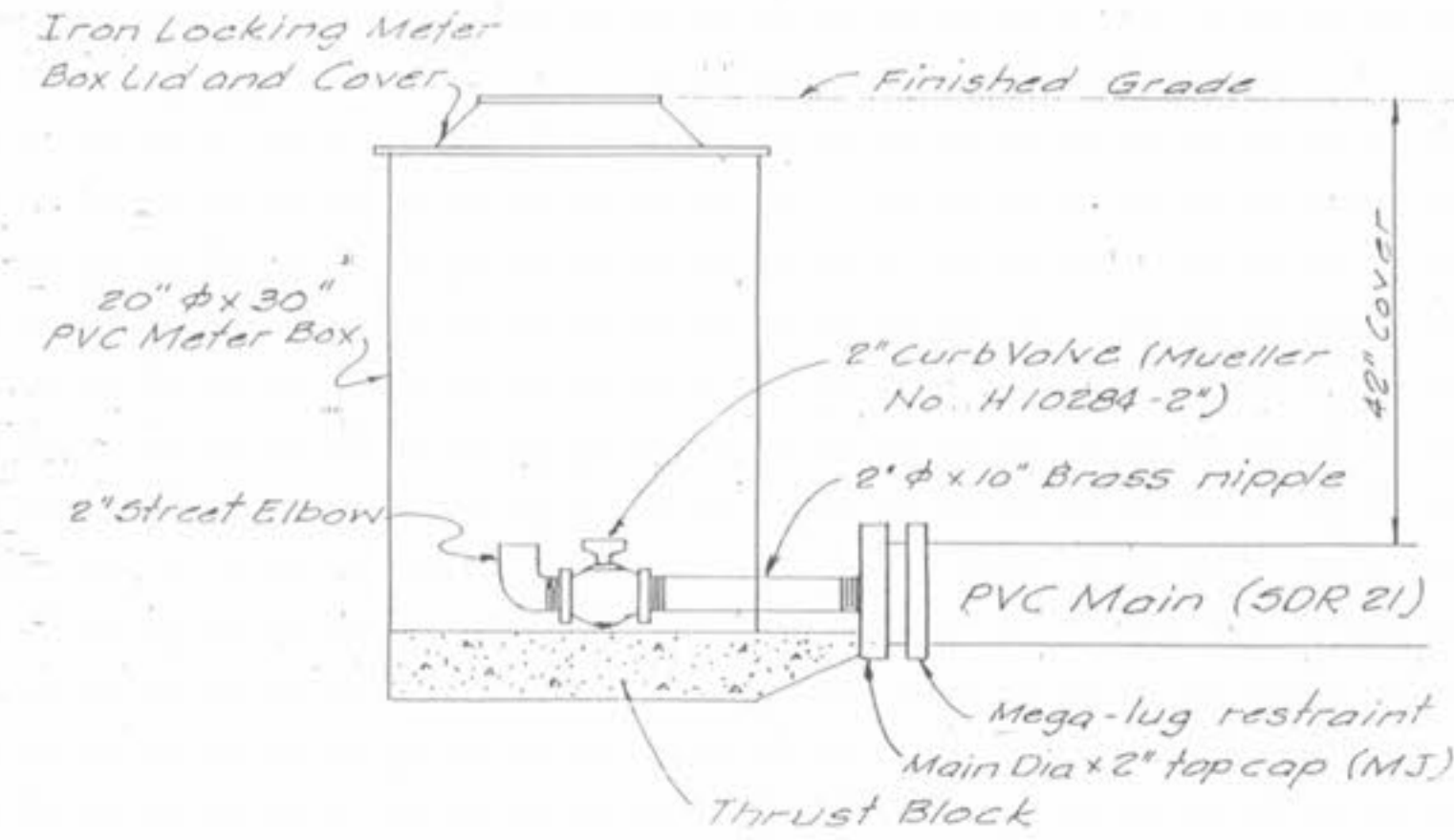


STANDARD METER INSTALLATION

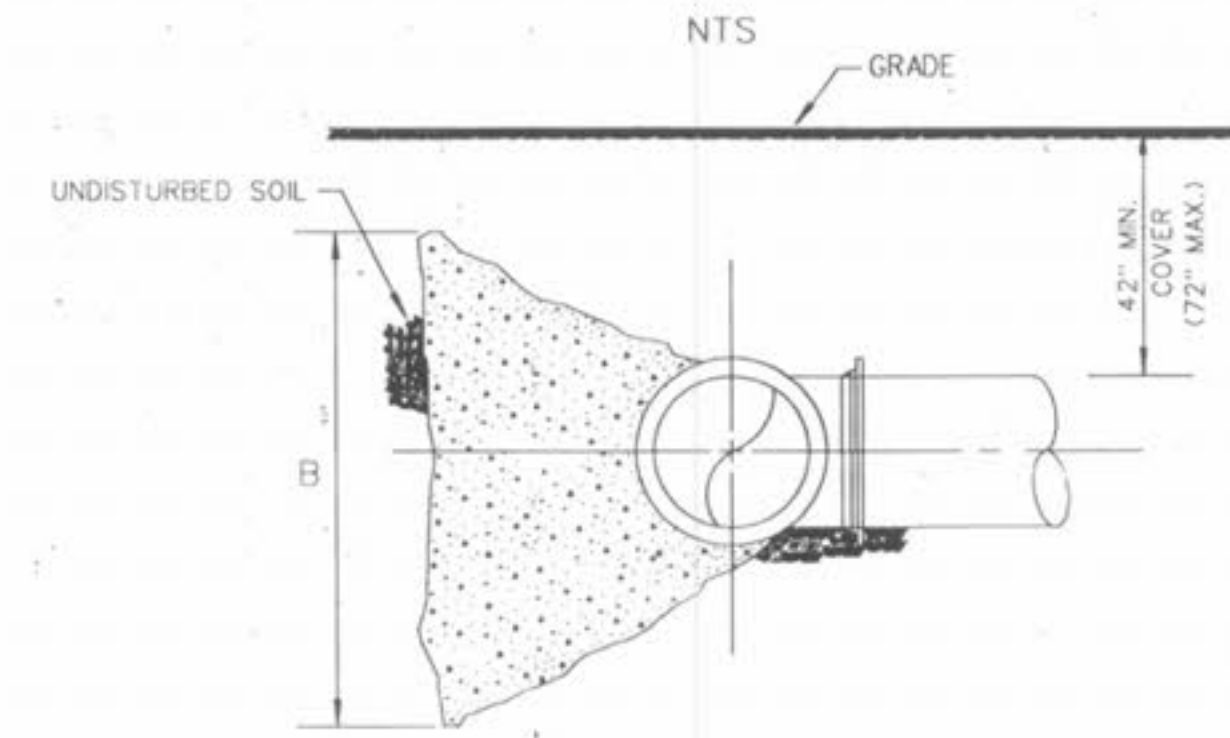


MATERIAL LIST - 1" WATER METER SERVICE

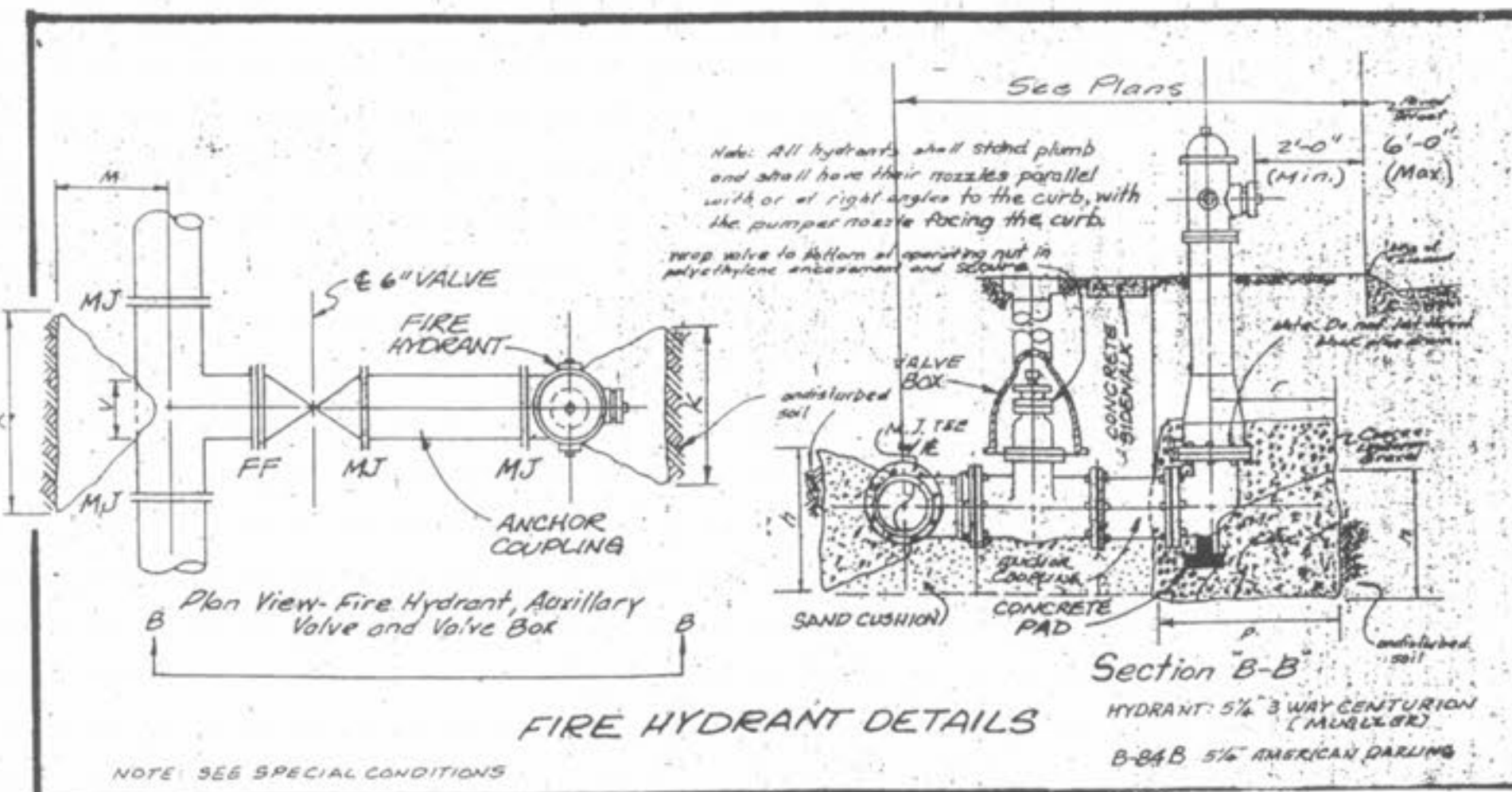
- 1" Sensus SR11 MTR, TRPL, 100 GL PLAS BNT
- 1" Meter Yoke with 12" Rise and Locking Ball Valve (B2404-1")
- 1" Corporation Stop (B25008-1")
- 2 - 1" End Connectors, Compression (H-14227-1")
- 20 6150 MTR Box Cover LN w/TR
- 20" x 30" Meter Tile (MIDSTATES)
- 1" x 8" Tapping Saddle, PVC (H13433-1")
- 1" x 10" Tapping Saddle, PVC (H13434-1")
- 1" x 6" Tapping Saddle, PVC



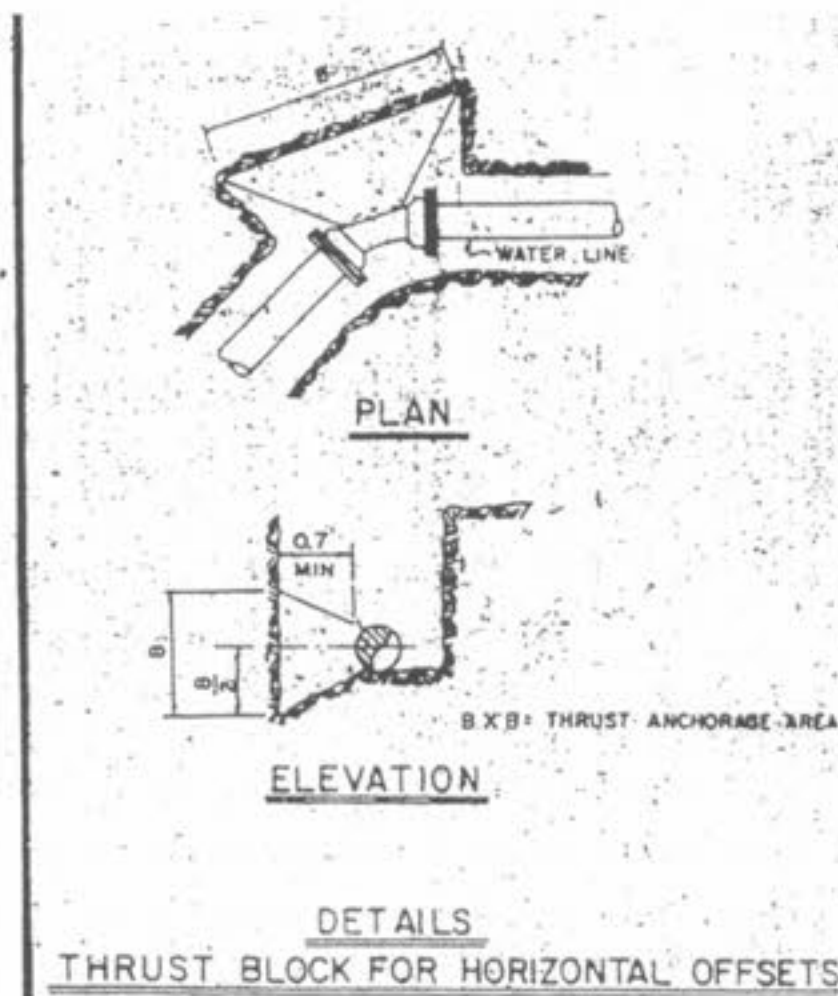
STANDARD BLOW-OFF



SECTION "A - A"
TYPICAL FOR ALL THRUST BLOCKS EXCEPT AS NOTED



FIRE HYDRANT DETAILS

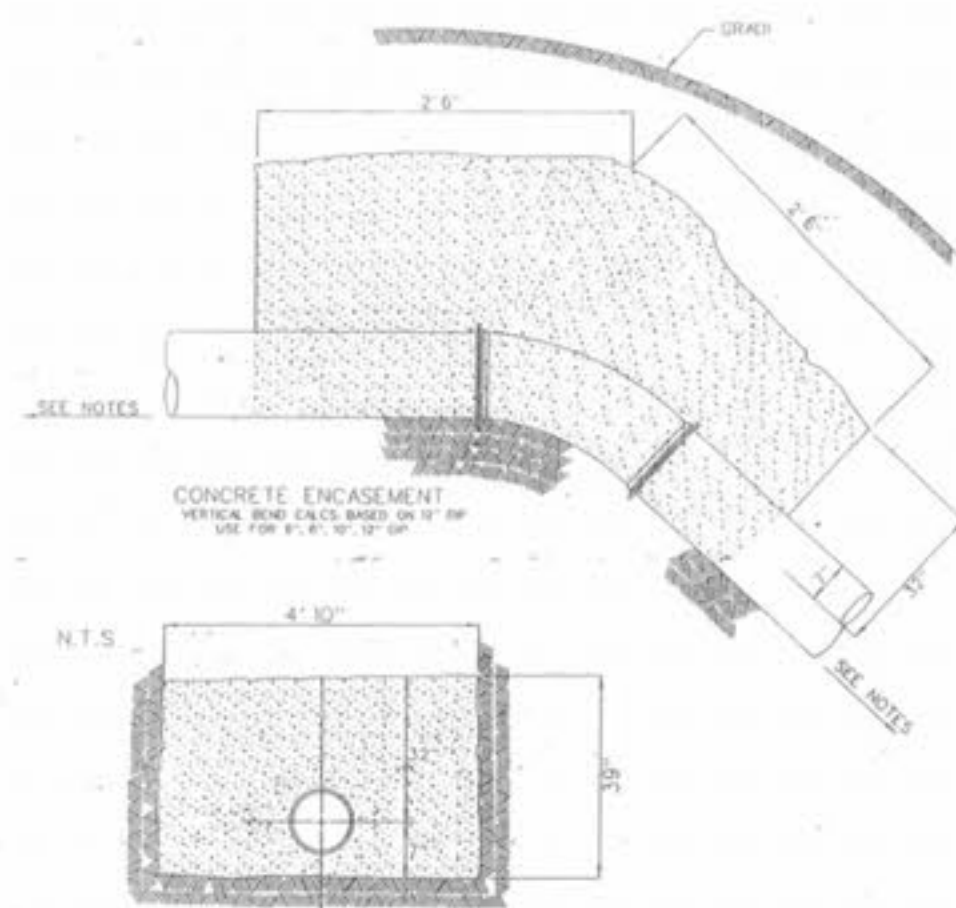


PIPE DIA.	90° BENDS	45° BENDS	22.5° BENDS	WYES & TEES
2"	10.07	10.07	10.07	10.07
3"	10.07	10.07	10.07	10.07
4"	10.07	10.07	10.07	10.07
6"	14.10	10.10	10.10	10.10
8"	18.10	14.10	10.10	22.10
10"	23.12	17.12	12.12	27.12
12"	27.14	20.14	14.14	32.14
14"	32.15	24.15	17.15	38.15
16"	36.17	27.17	19.17	43.17

THRUST BLOCKS

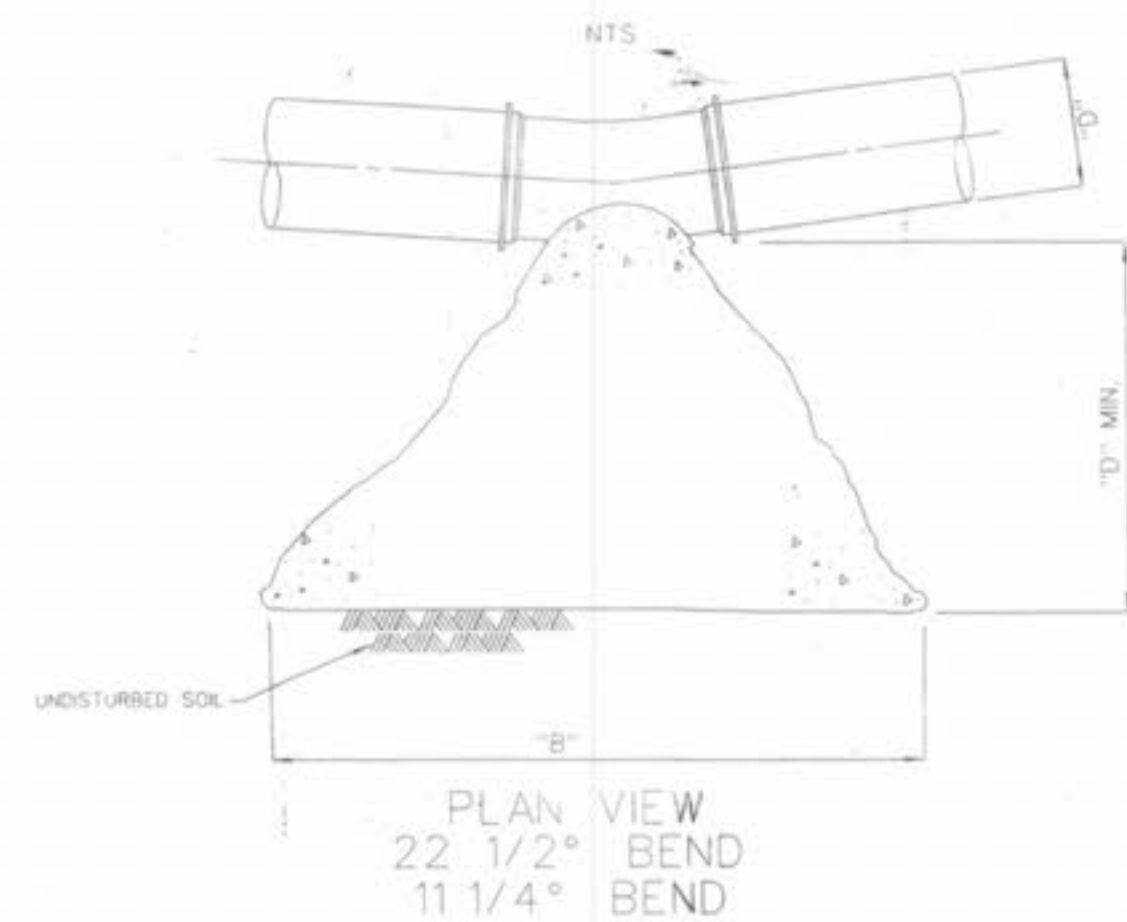
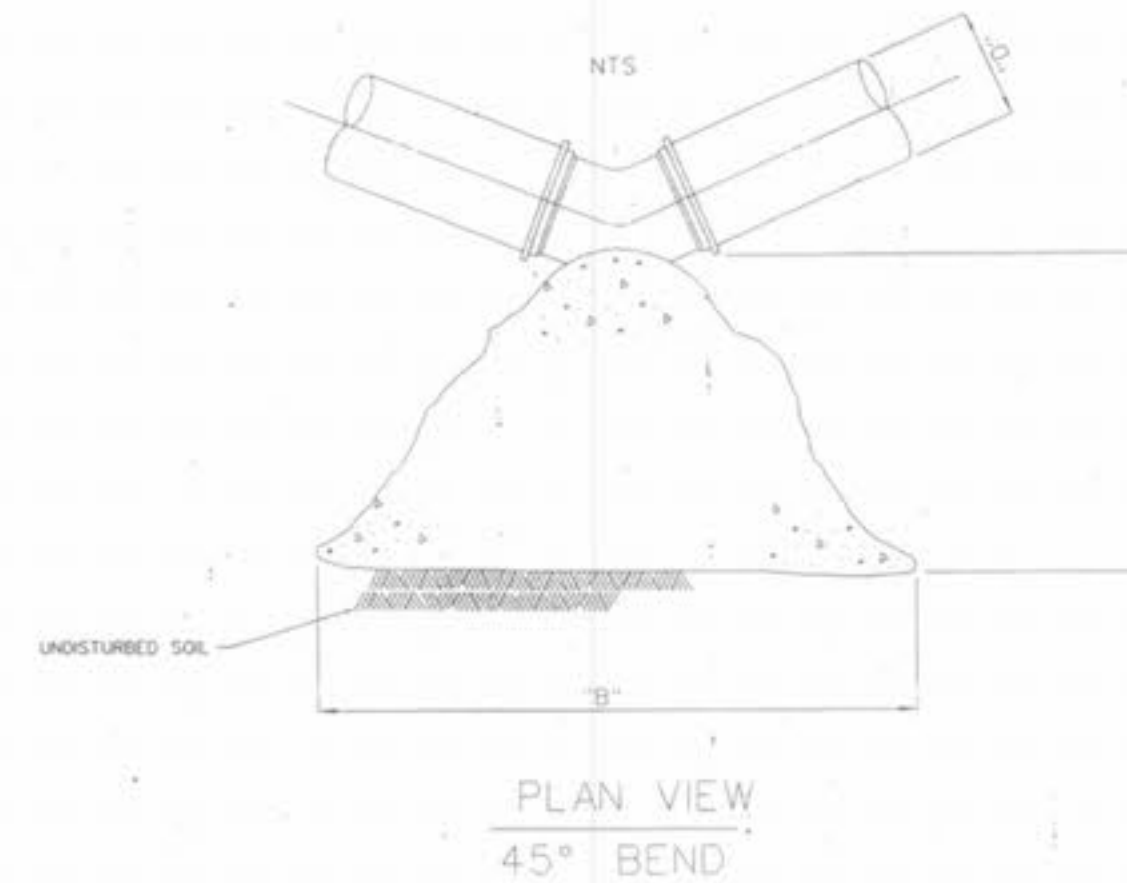
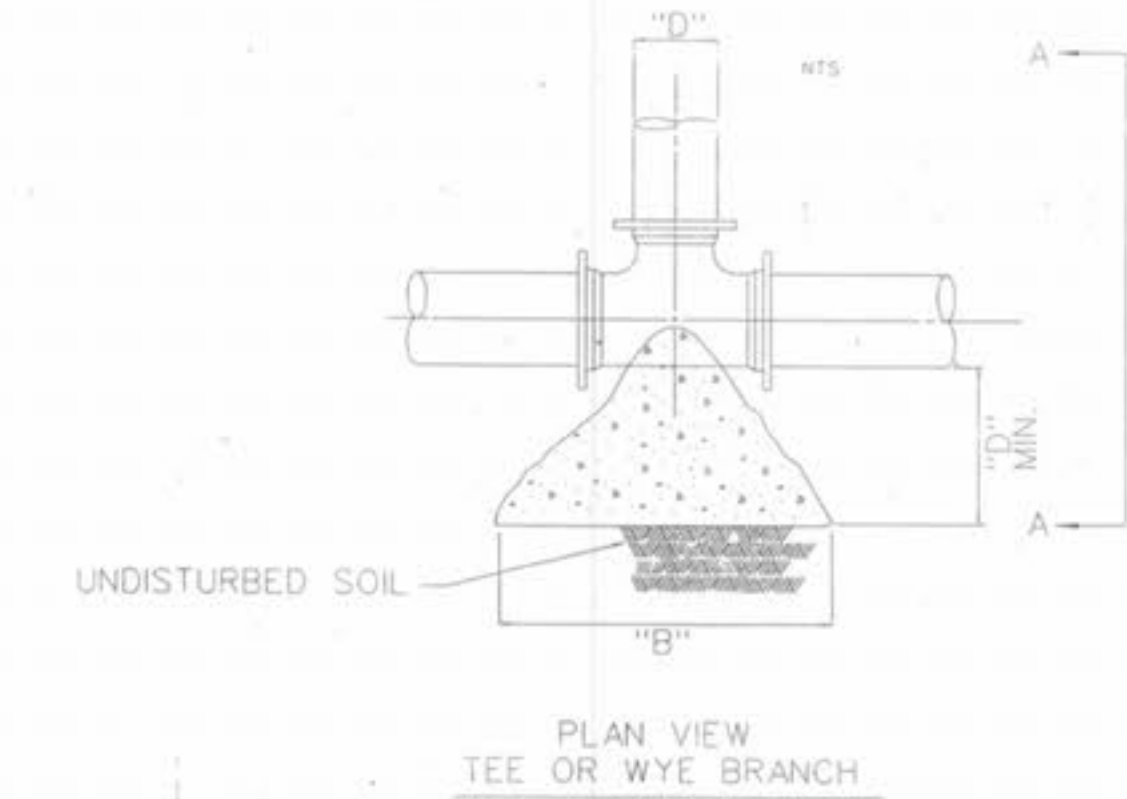
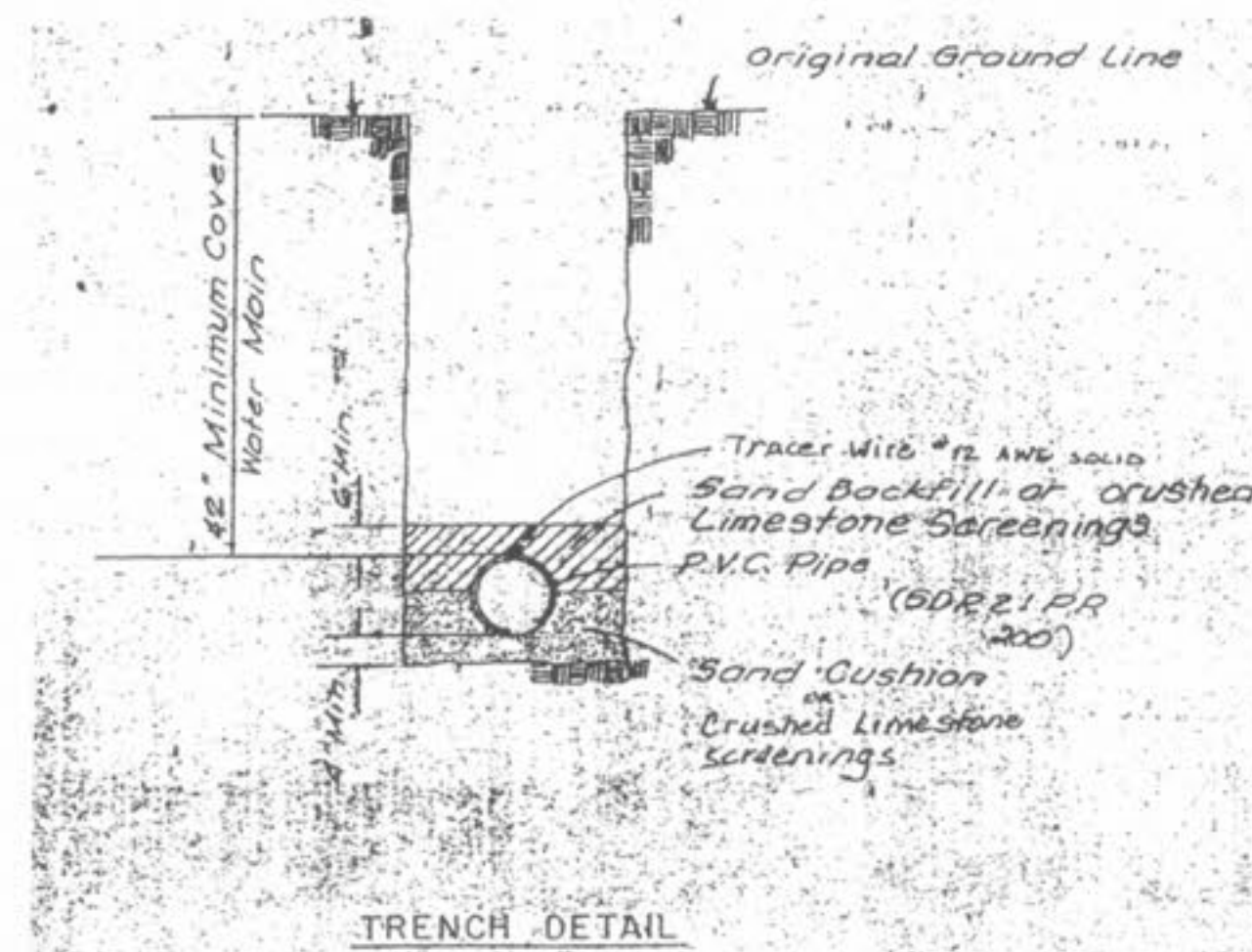
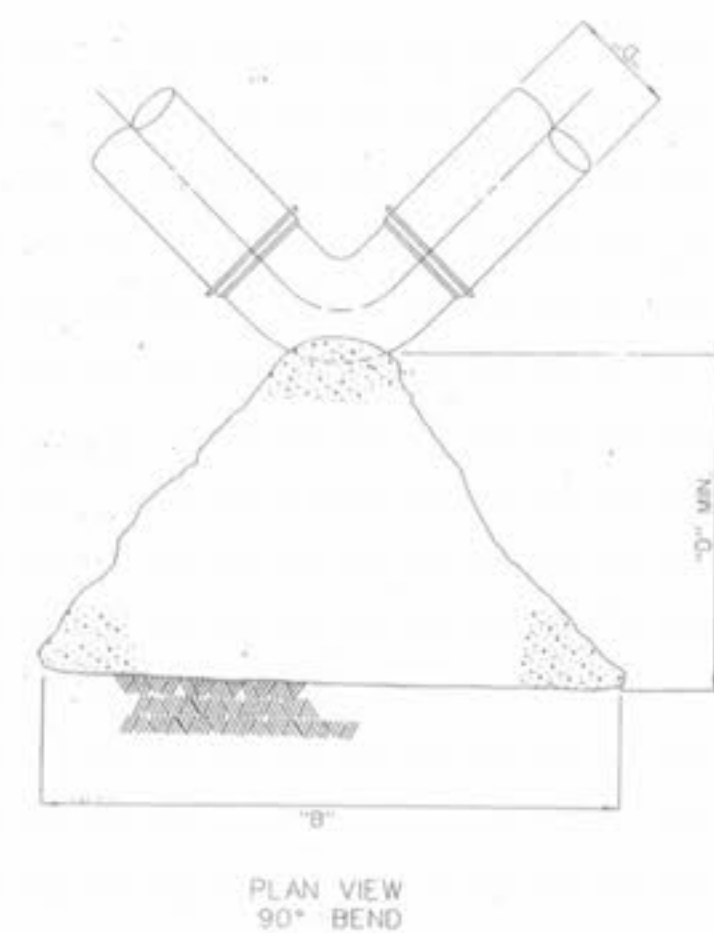
NOT TO SCALE

Distances are in feet. Use above thrust block dimensions unless poor soil conditions (organic, saturated clay, etc.) dictate use of larger thrust area. See chart at top center of this sheet for determination of area of thrust block in poor soil conditions.



NOTE:

IF AMERICAN DARLING FIRE HYDRANTS ARE TO BE USED, THE CONTRACTOR SHALL FURNISH TO THE CITY REPAIR PARTS (REBUILD KITS, AND WRENCHES FOR SEAT REMOVAL).



WINGHAVEN RESIDENTIAL L.L.C.
111 MCBRIDE B. SON
CORPORATE CENTER DRIVE
ST. LOUIS, MISSOURI 63005
PHONE (314) 537-2000

VOLZ



WINGHAVEN

CONSTRUCTION DETAILS
Design By: R.L.M.
Drawn By: M.R.H.
Checked By: R.L.M.
B-5500
7-23-99