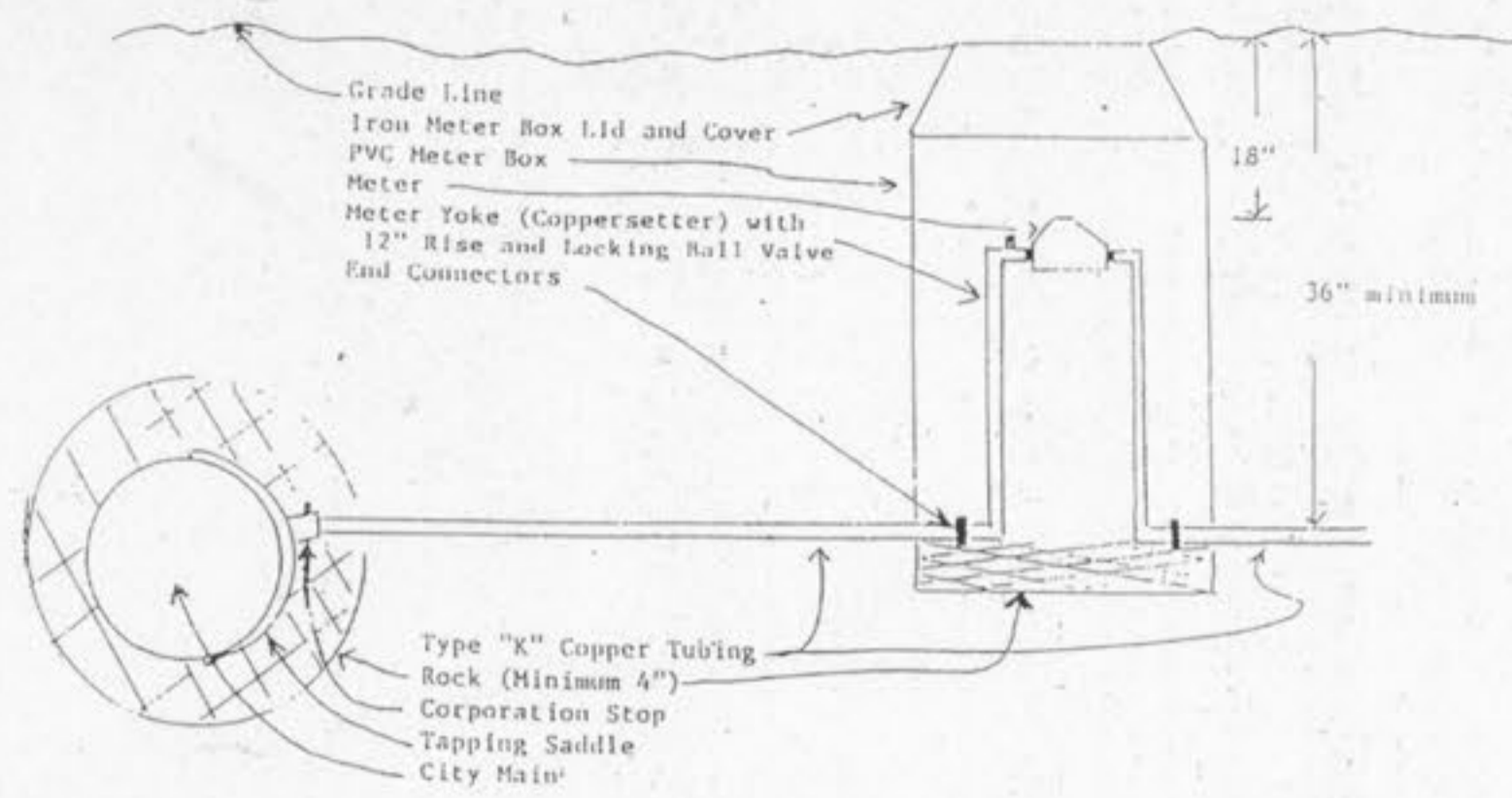
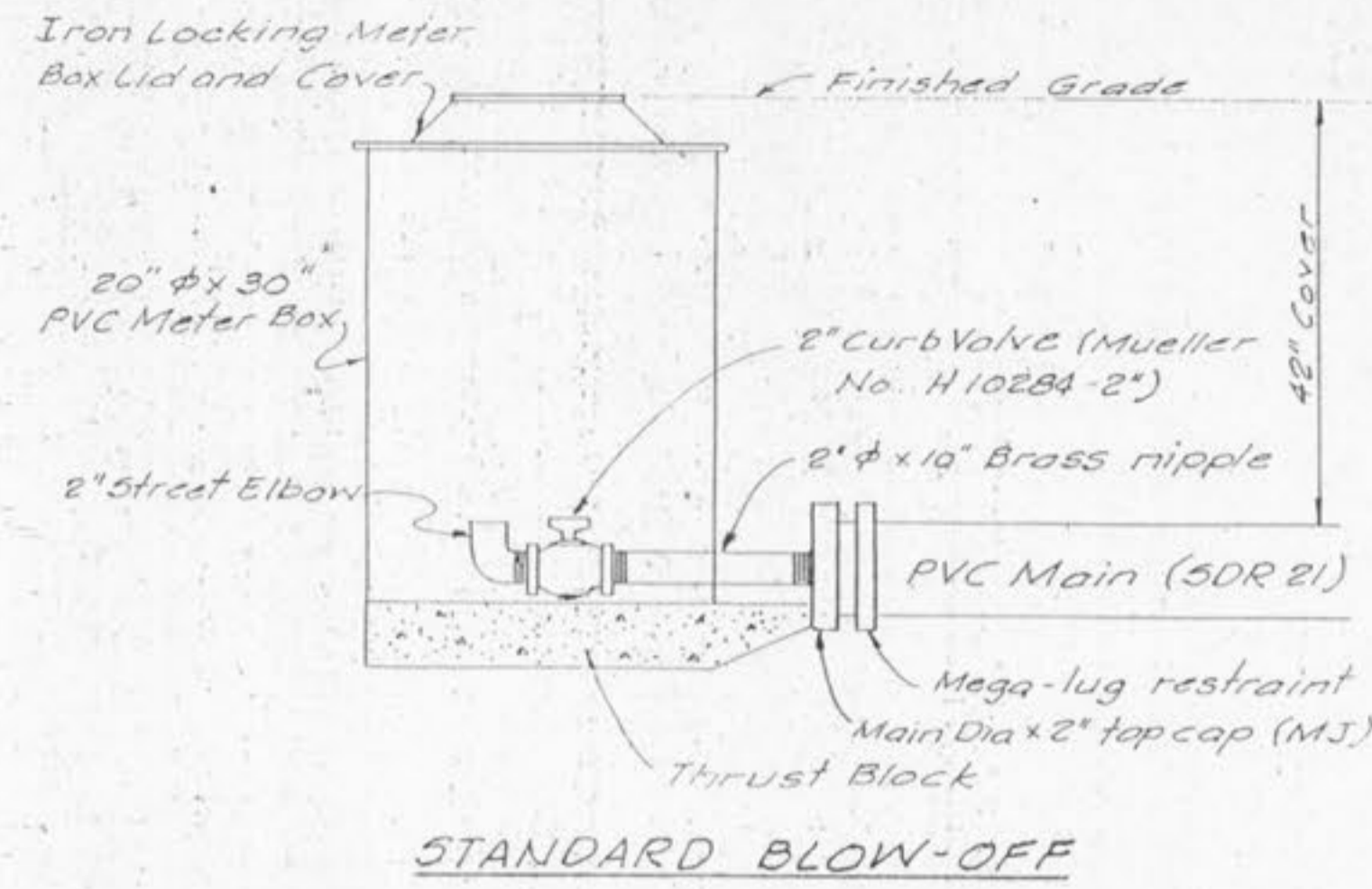


STANDARD METER INSTALLATION

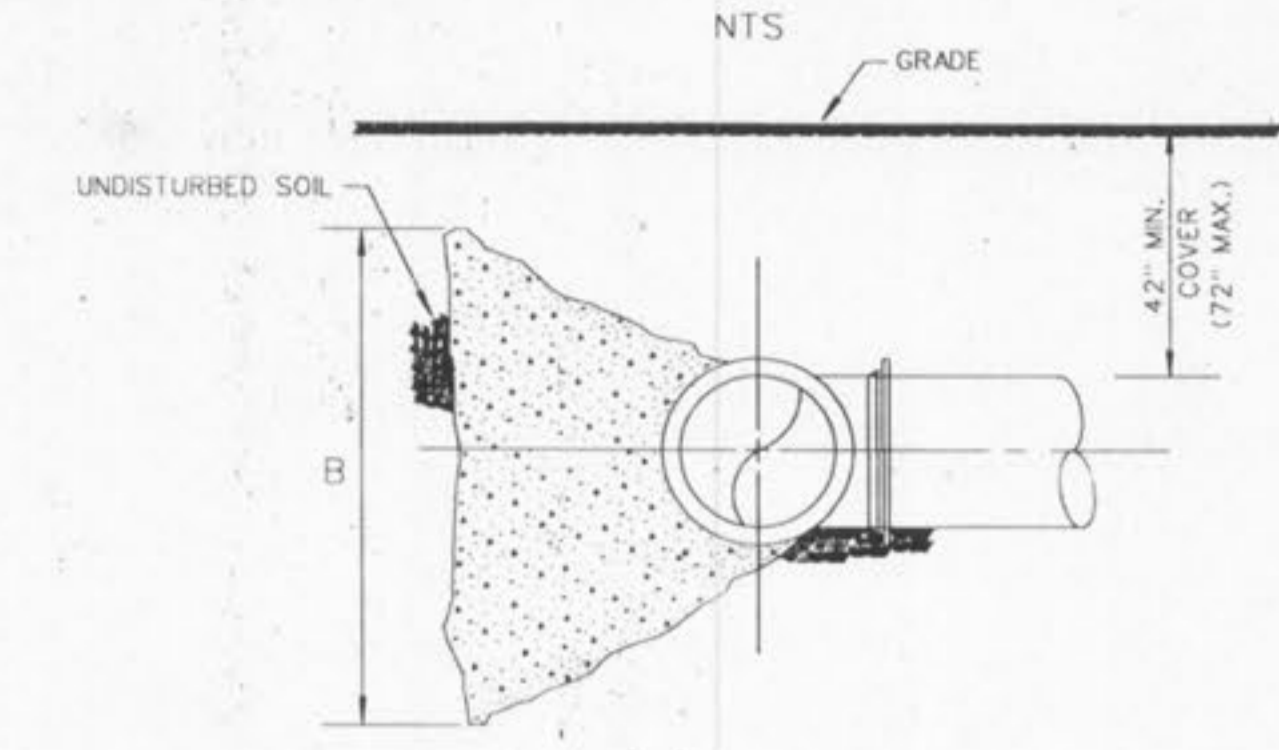


MATERIAL LIST - 1" WATER METER SERVICE

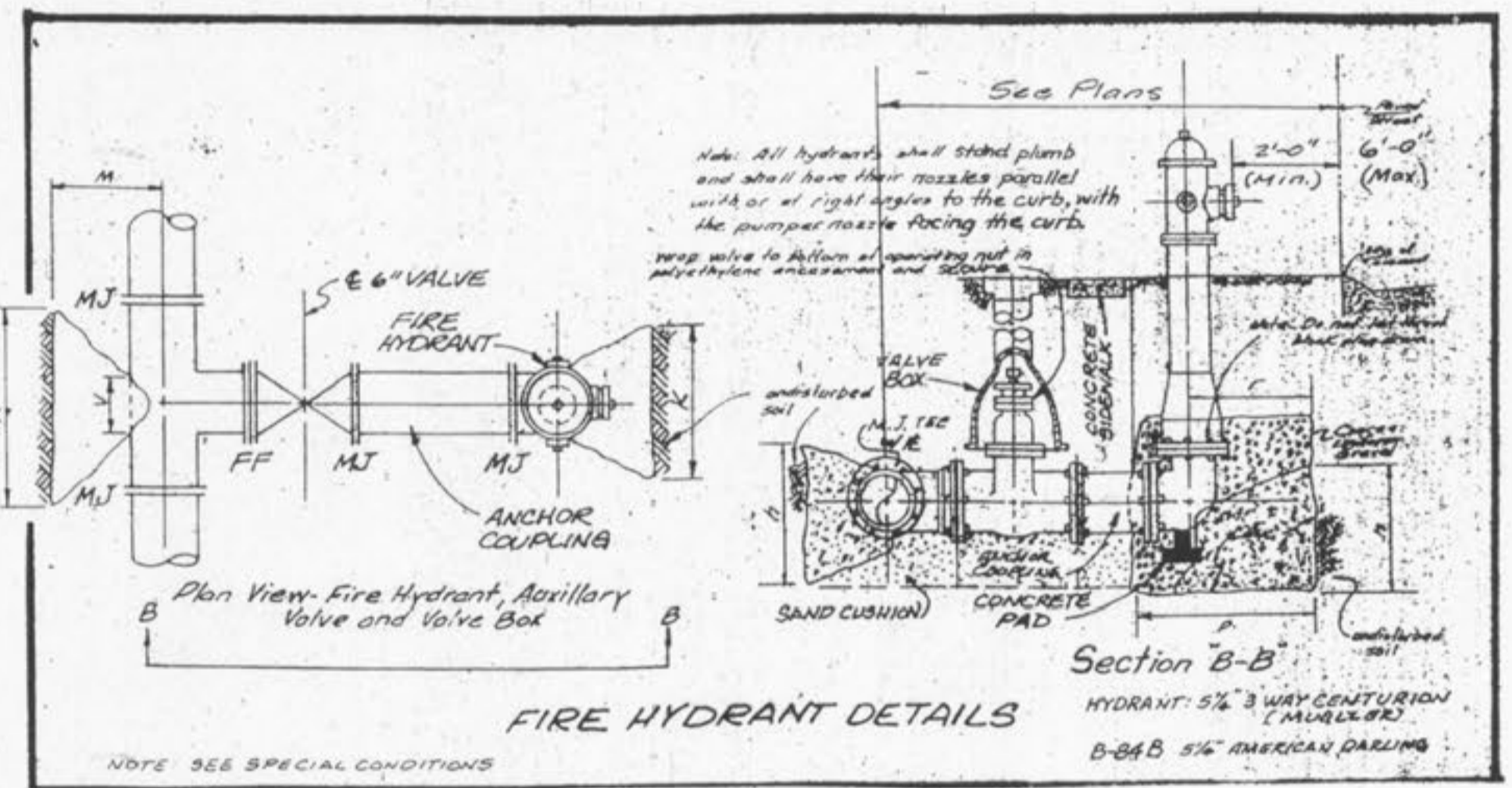
- 1" Sensus SRJ MTR, TRPL, 100 GL PLAS BNT
- 1" Meter Yoke with 12" Rise and Locking Ball Valve (B2404-1")
- 1" Corporation Stop (B25008-1")
- 2 - 1" End Connectors, Compression (H-14227-1")
- 20 6150 MTR Box Cover LN w/TR
- 20" x 30" Meter Tile (MIDSTATES)
- 1" x 8" Tapping Saddle, PVC (H13433-1")
- 1" x 10" Tapping Saddle, PVC (H13434-1")
- 1" x 6" Tapping Saddle, PVC



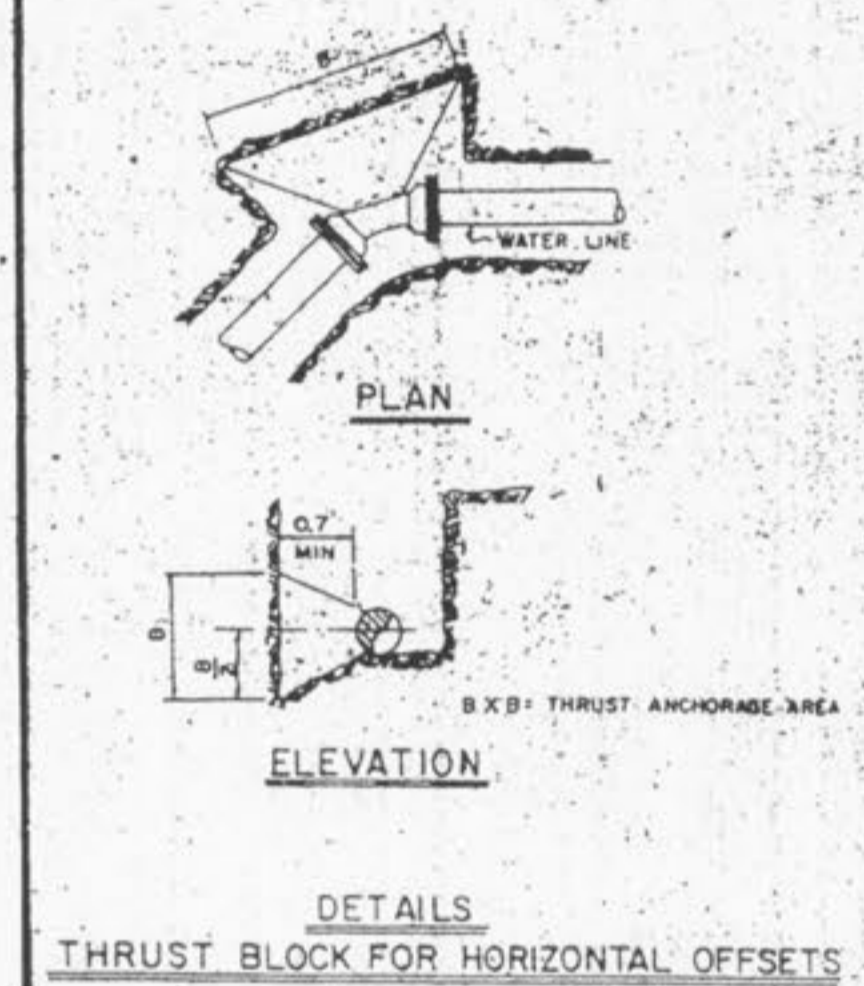
STANDARD BLOW-OFF



SECTION "A - A"
TYPICAL FOR ALL THRUST BLOCKS EXCEPT AS NOTED



FIRE HYDRANT DETAILS

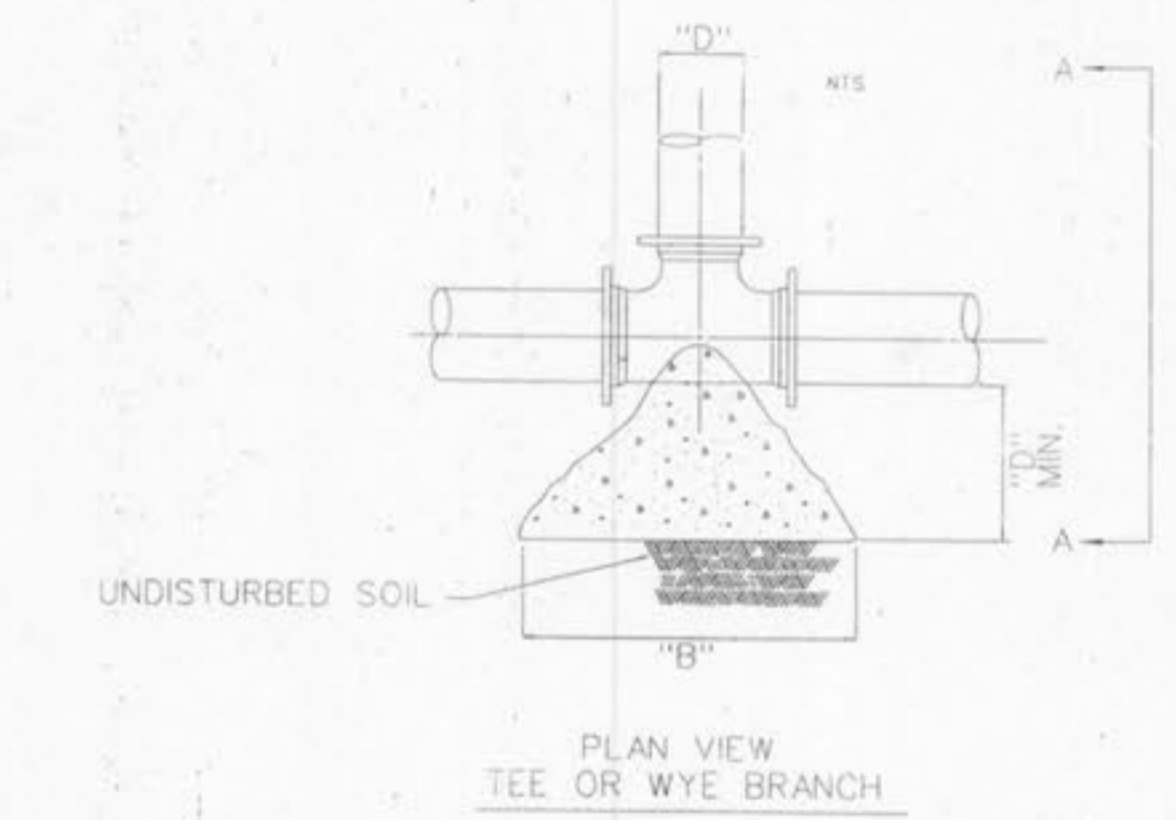


THRUST BLOCK FOR HORIZONTAL OFFSETS

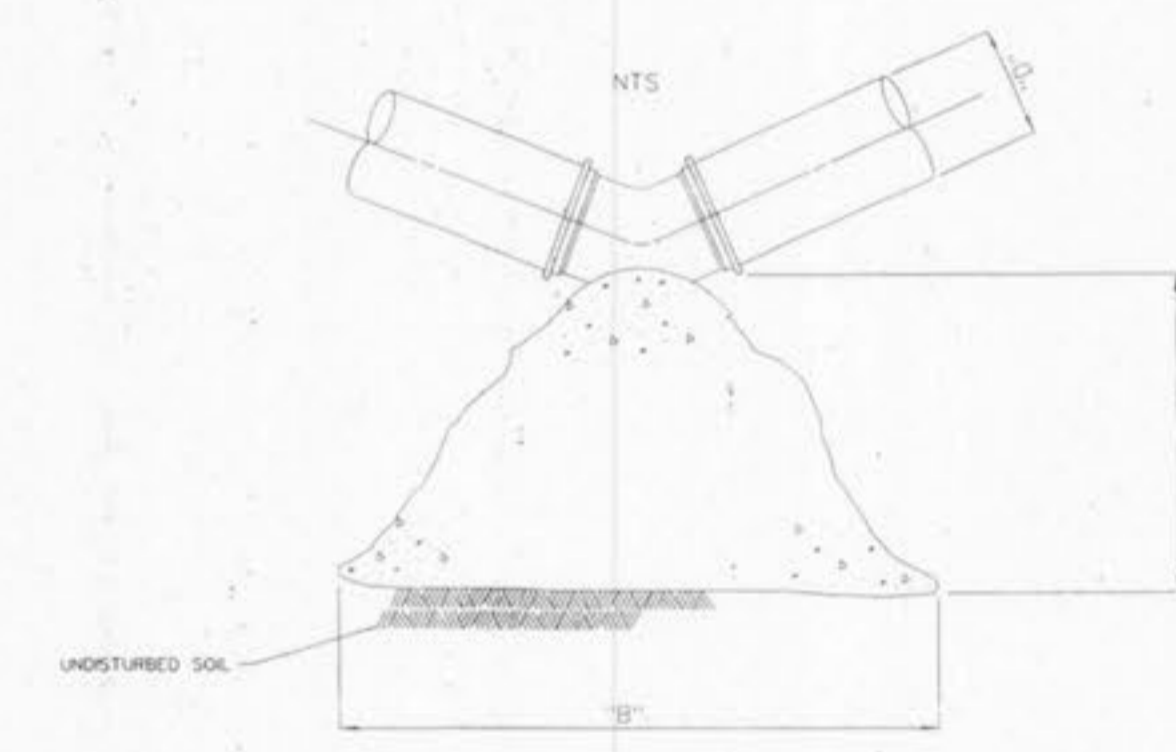
PIPE DIA.	90° BENDS	45° BENDS	22.5° BENDS	WYES & TEES
2"	1.0	0.7	1.0	0.7
3"	1.0	0.7	1.0	0.7
4"	1.0	0.7	1.0	0.7
6"	1.4	1.0	1.0	1.0
8"	1.8	1.4	1.0	1.0
10"	2.3	1.7	1.2	1.2
12"	2.7	2.0	1.4	1.4
14"	3.2	2.4	1.7	1.7
16"	3.6	2.7	1.9	1.9

THRUST BLOCKS
NOT TO SCALE

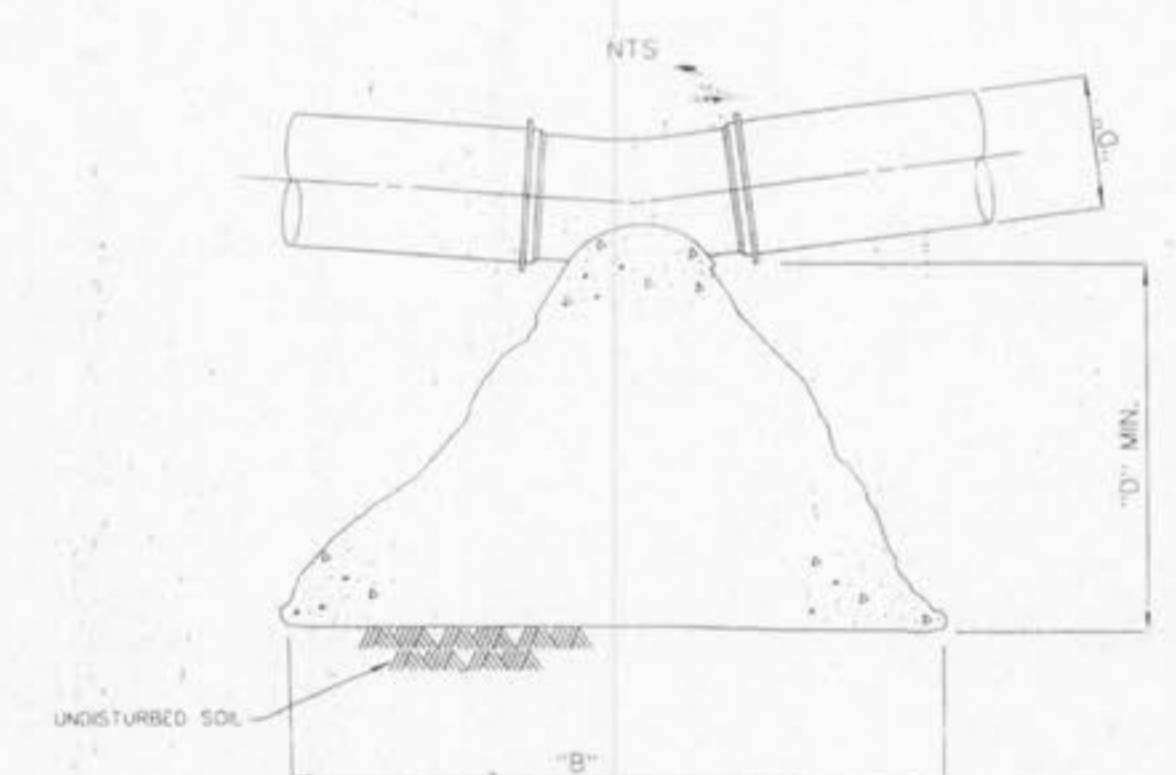
Dimensions are in feet. See above thrust blocks - dimensions unless poor soil conditions (organic, saturated clay, etc.) dictate use of larger thrust area. See chart @ top center of this sheet for determination of area of thrust block in poor soil conditions.



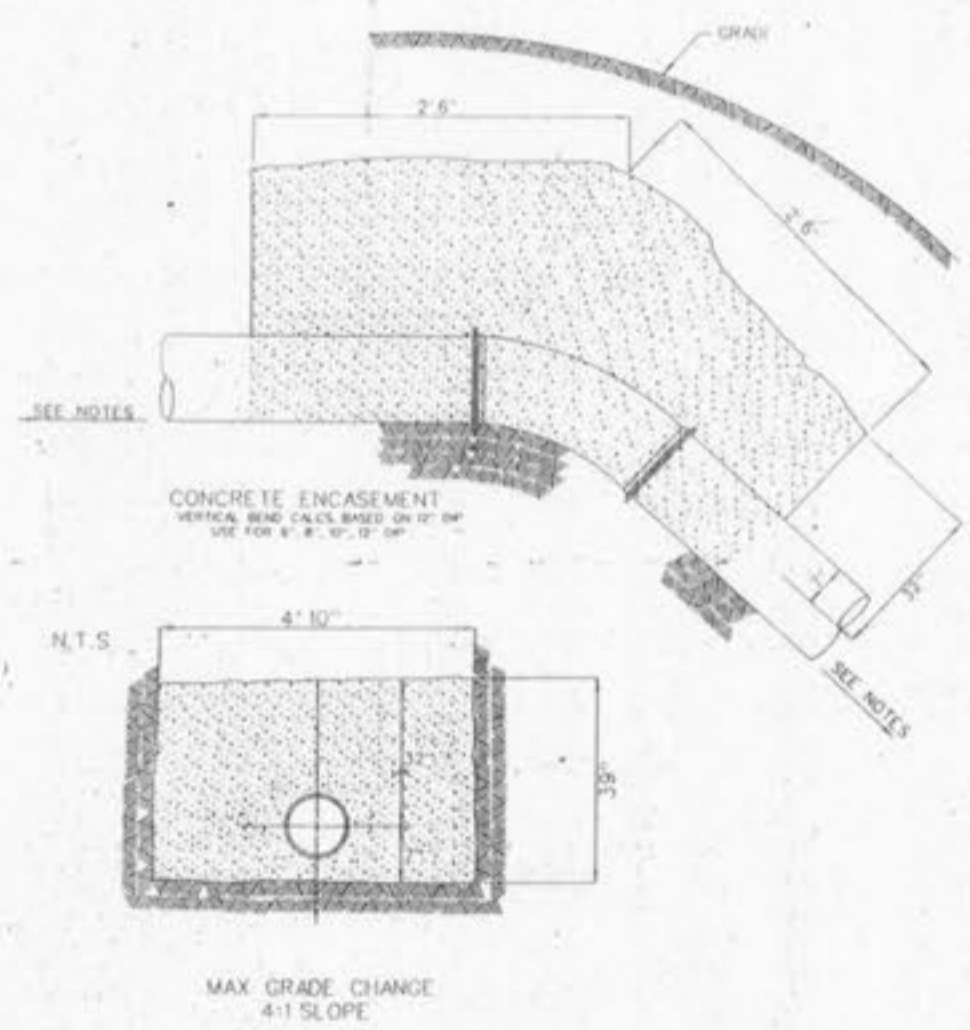
PLAN VIEW TEE OR WYE BRANCH



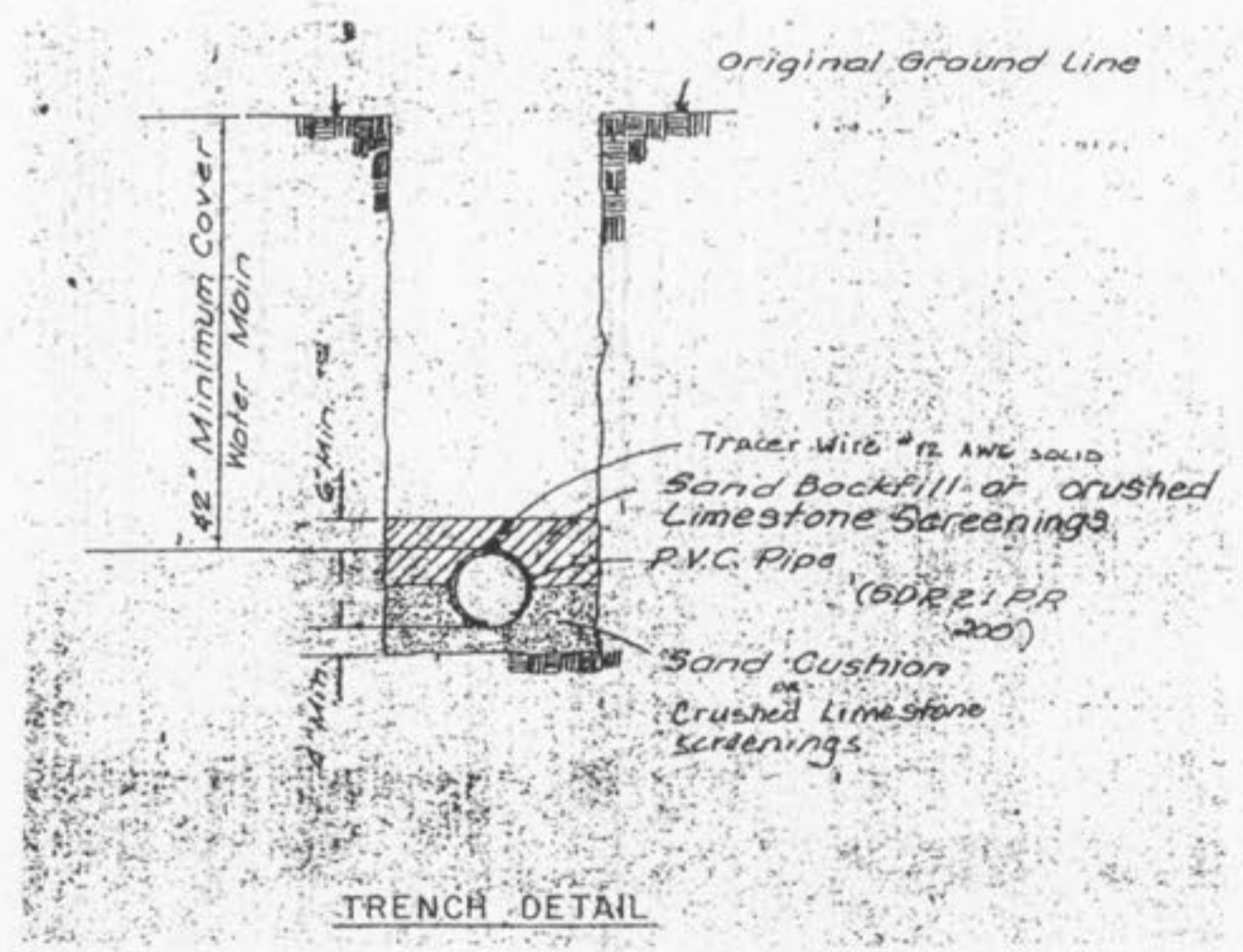
PLAN VIEW 45° BEND



PLAN VIEW 22 1/2° BEND
11 1/4° BEND



NOTE:
IF AMERICAN DARLING FIRE HYDRANTS ARE TO BE USED, THE CONTRACTOR SHALL FURNISH TO THE CITY REPAIR PARTS (REBUILD KITS, AND WRENCHES FOR SEAT REMOVAL).



TRENCH DETAIL

WINGHAVEN
RESIDENTIAL L.L.C.
411 MCBRIDE & SON
CORPORATE CENTER DRIVE
ST. LOUIS, MISSOURI 63106
PHONE (314) 337-2000

VOLZ



WINGHAVEN

CONSTRUCTION DETAILS
Design By: R.L.M.
Drawn By: M.R.H.
Checked By: R.L.M.
B-5500
08-03-09
12