

KEY PLAN

Wetland and Boardwalk Project

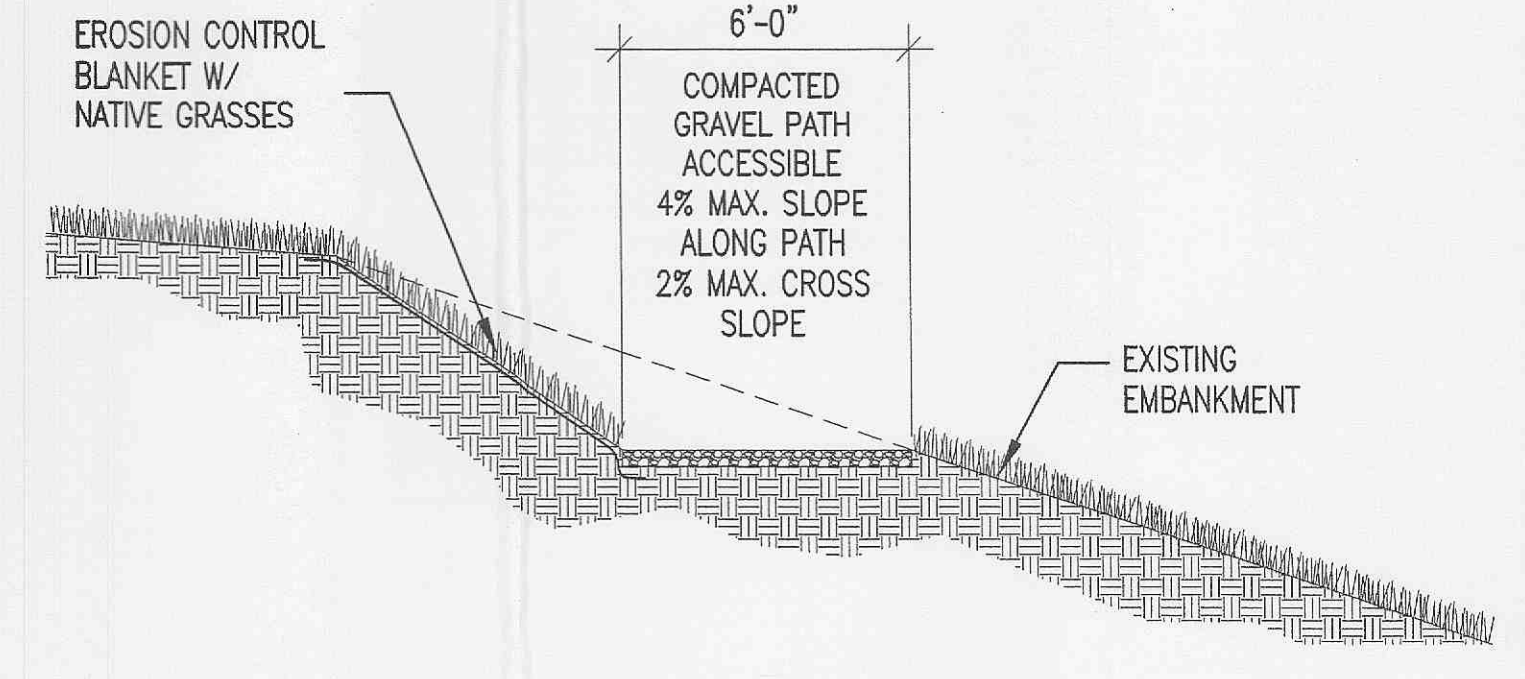
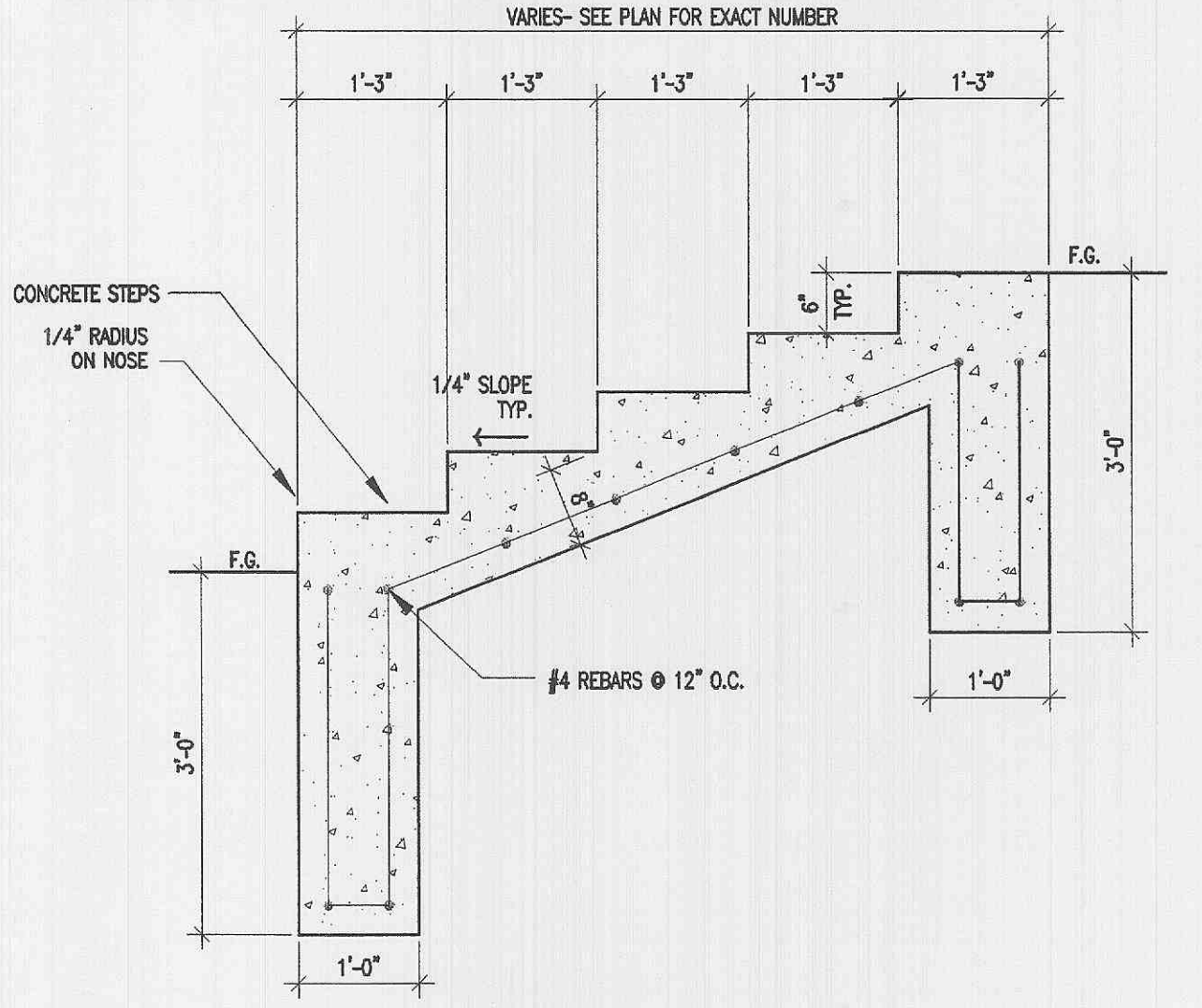
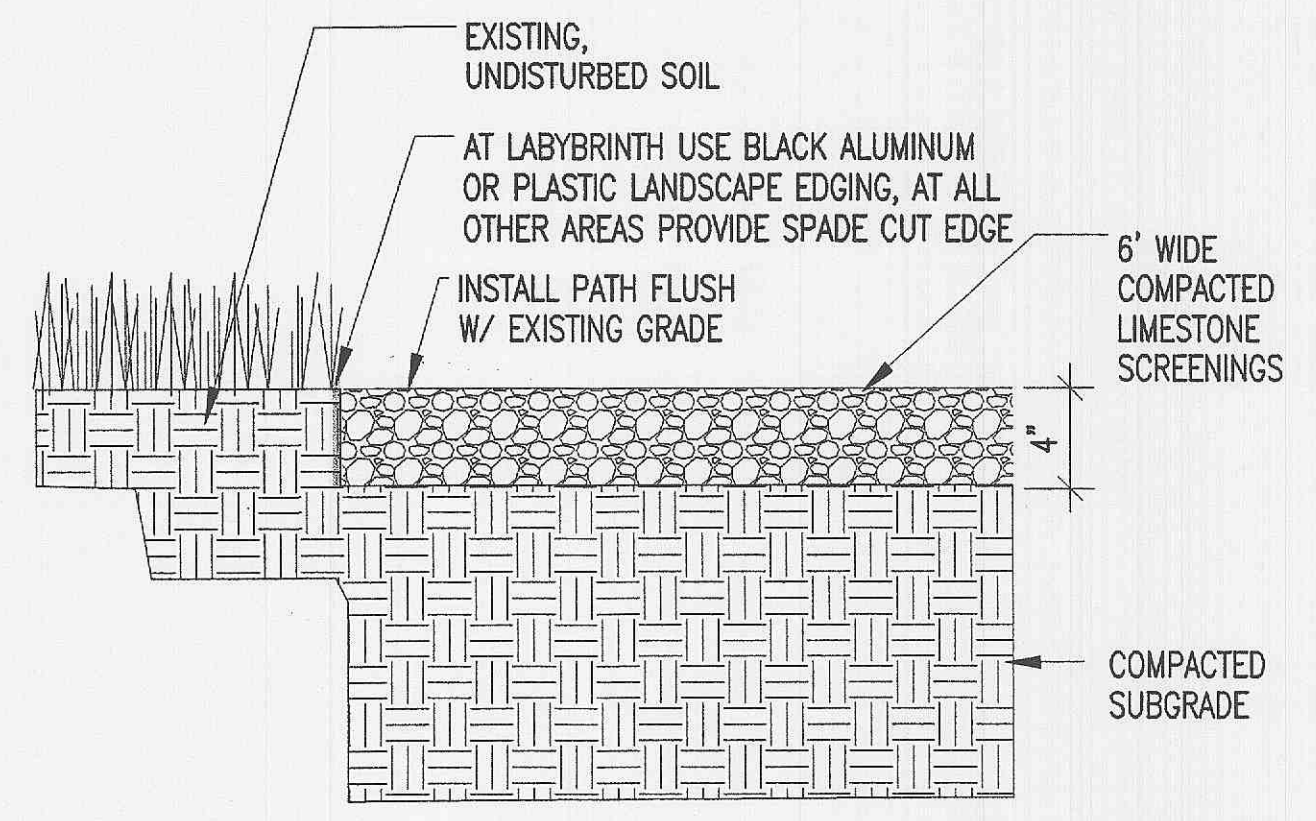
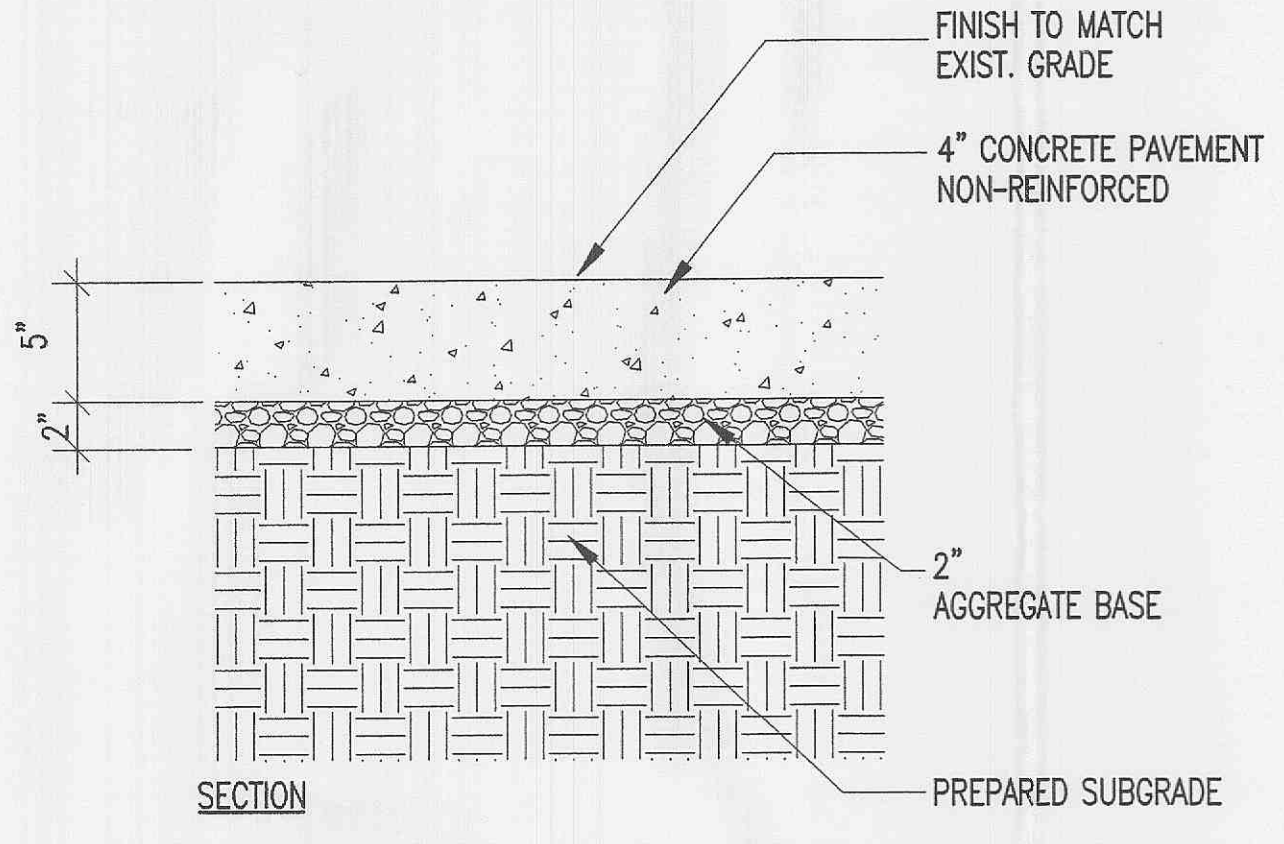


ISSUED:

REVISIONS:

NO	DESCRIPTION	BY	DATE
1	ENTIRE SHEET	CM	04/23/02
2	ENTIRE SHEET	CM	07/24/02
3	ENTIRE SHEET	CM	09/25/02

DRAWN: SAW
 REVIEWED: SAW
 SHEET NUMBER:
L-5
 SHEET 5 OF 7
 PROJECT NUMBER:
 02-0112-05

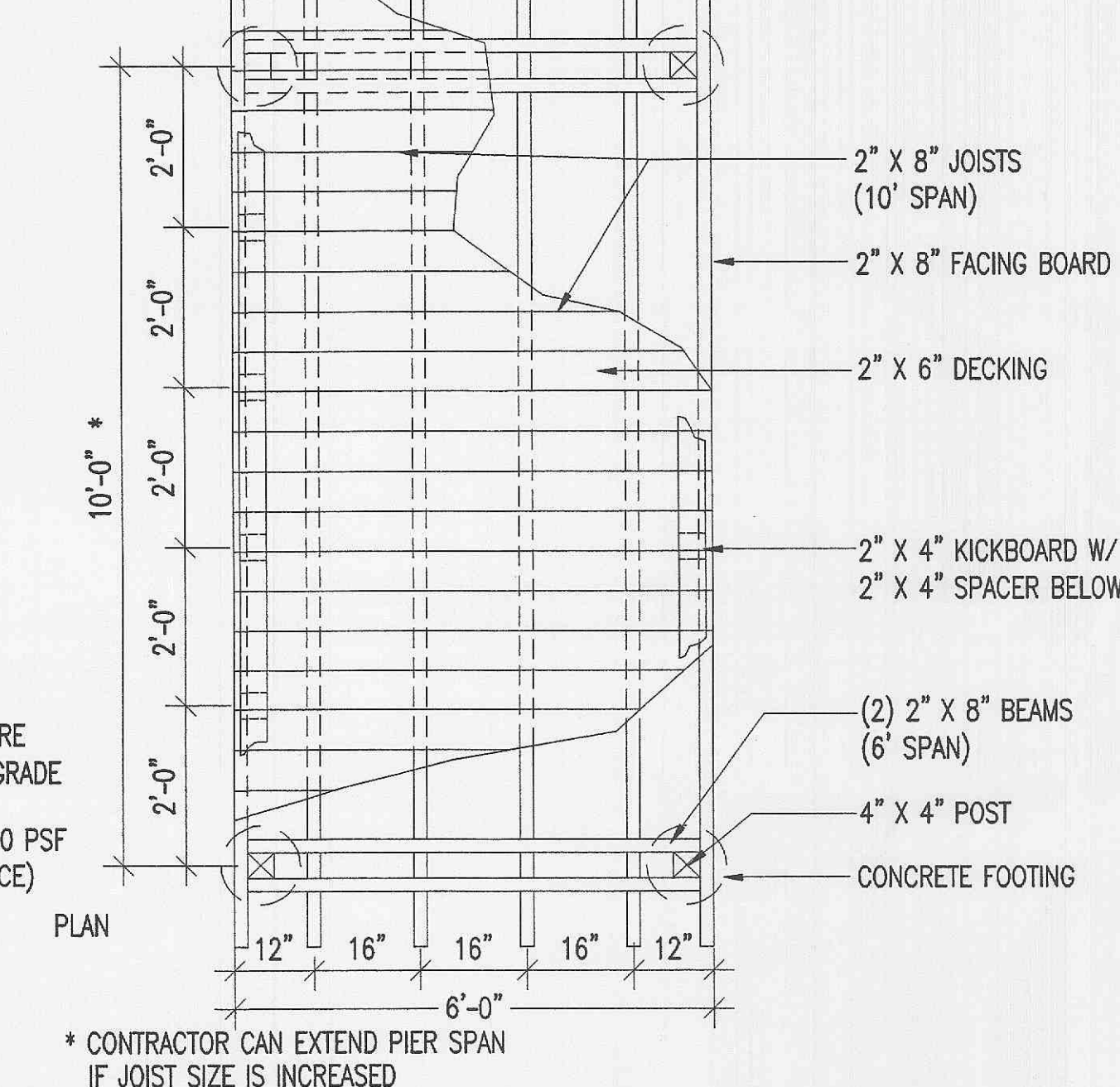
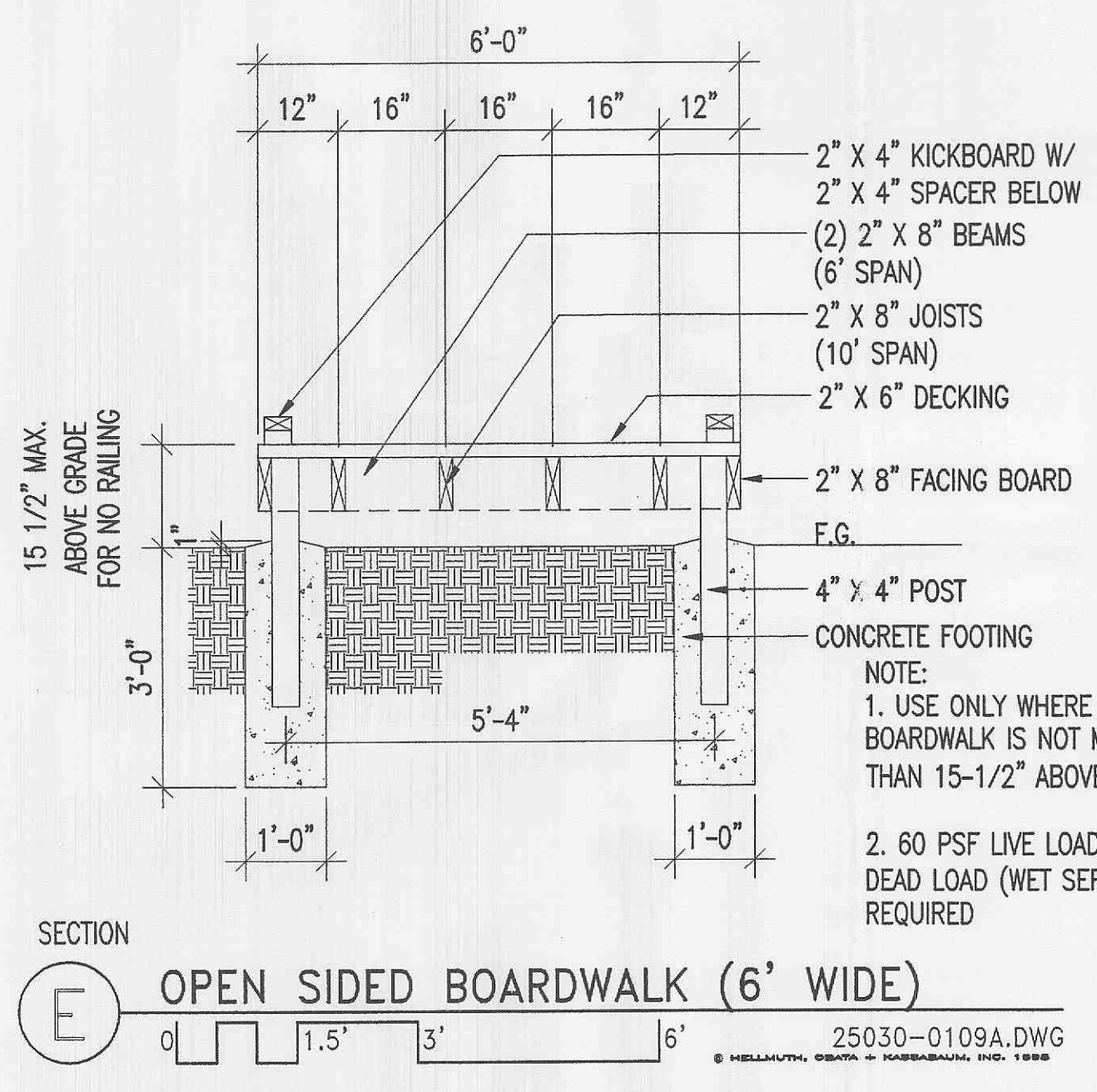


A CONCRETE SIDEWALK
 23030-0109A.DWG

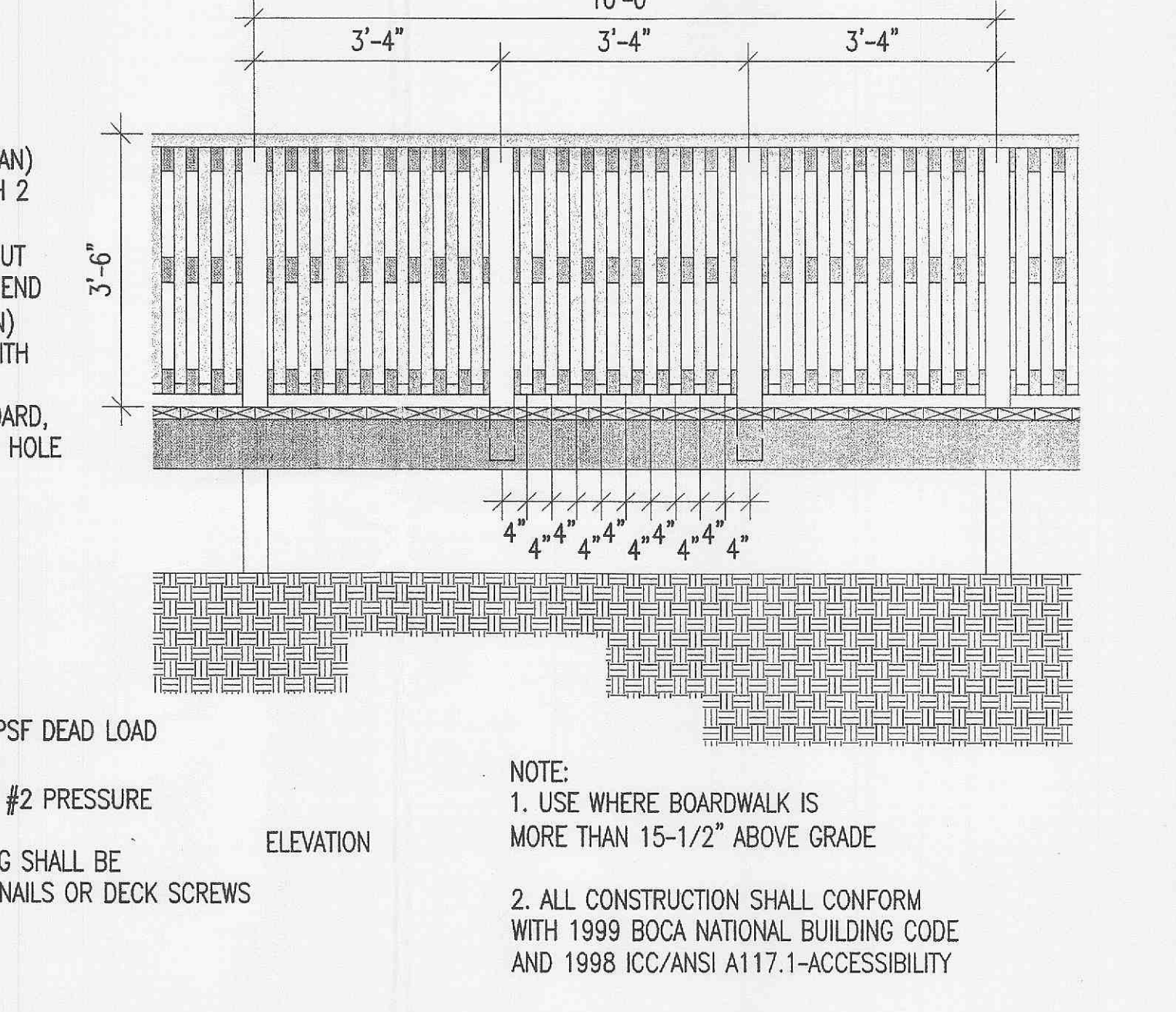
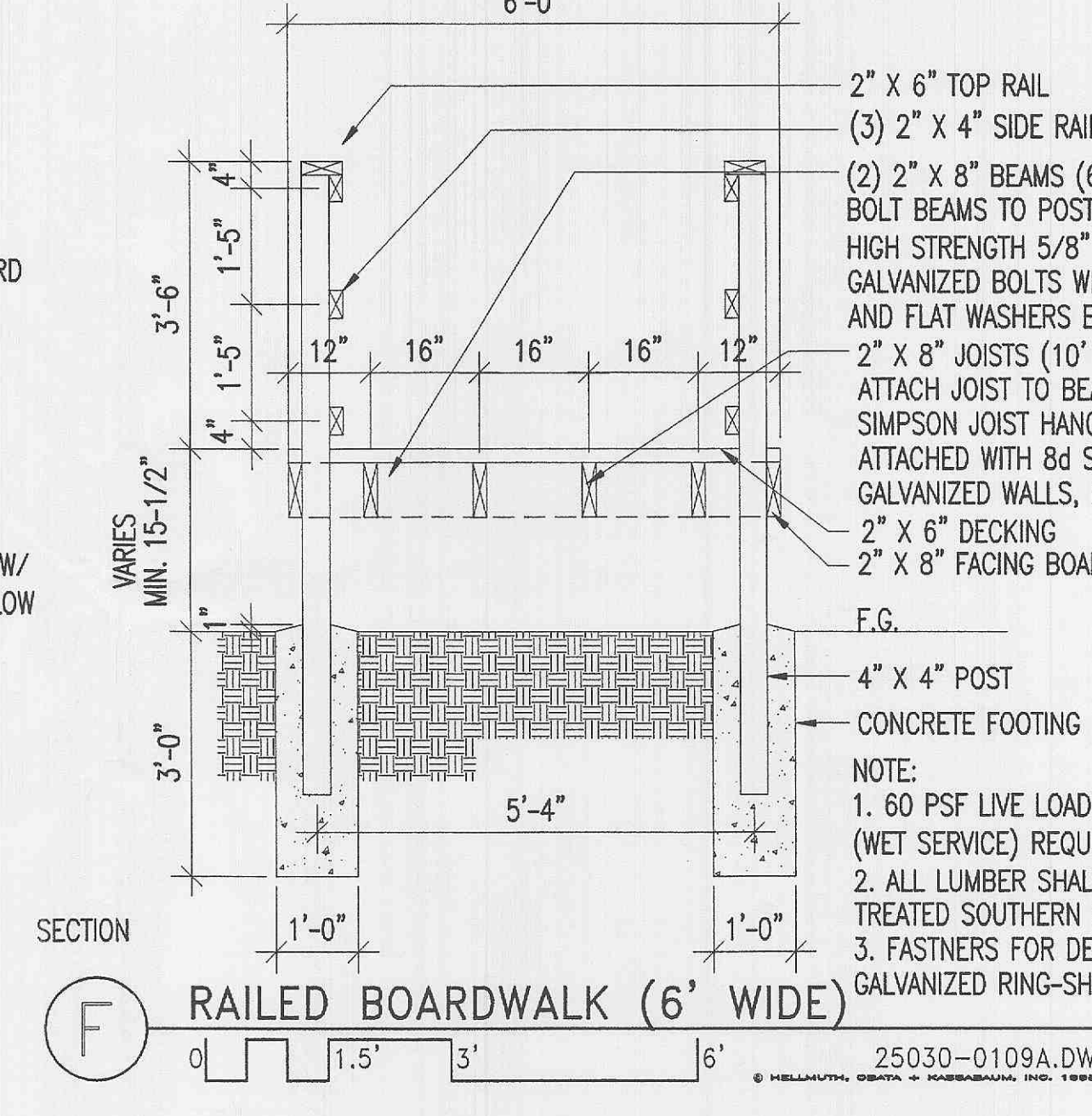
B COMPACTED GRAVEL PATH
 23040-0109A.DWG

C CONCRETE STEPS
 26030-0407B.DWG

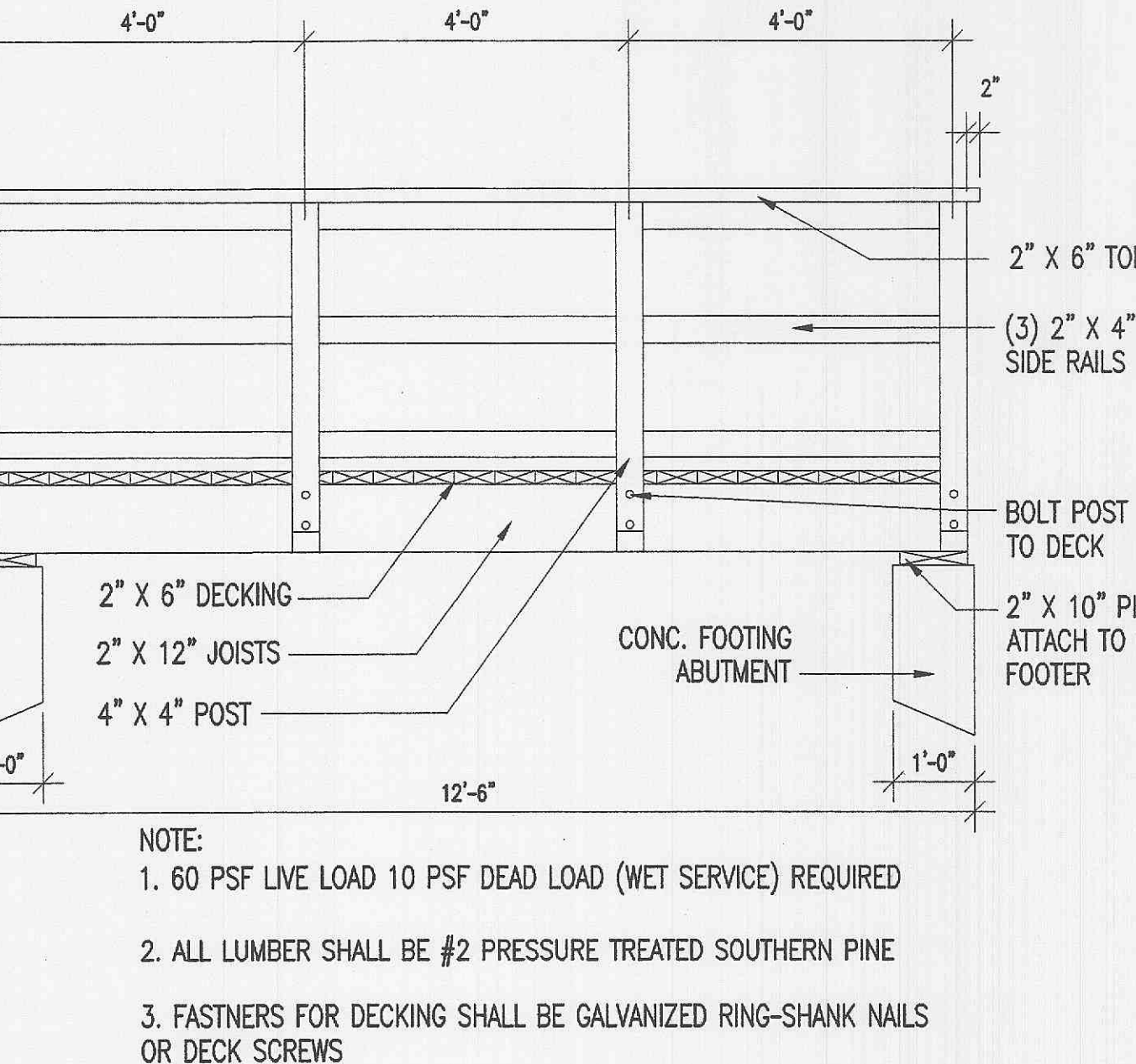
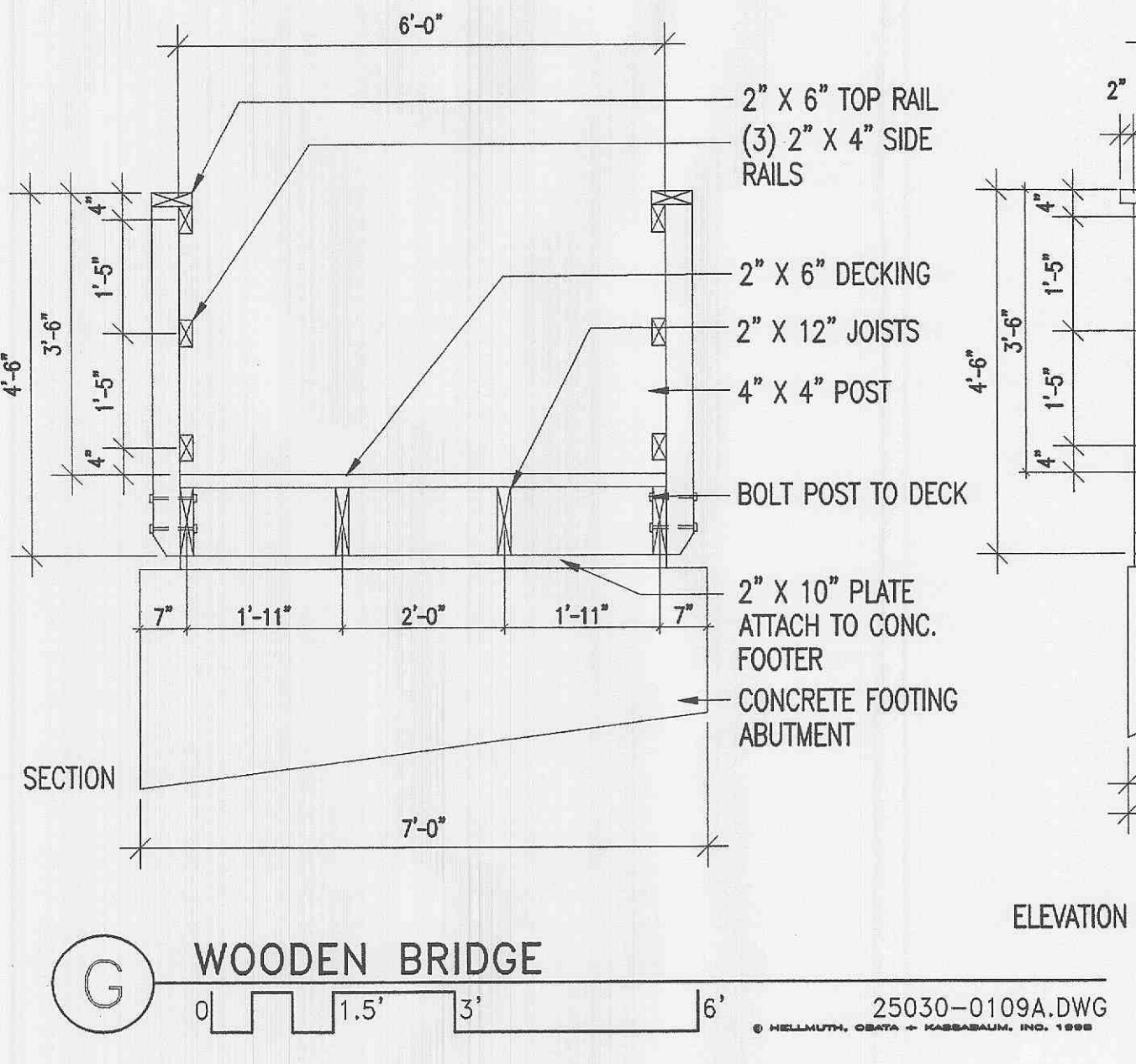
D ACCESSIBLE PATH ON SLOPE @ TRAIL HEADS
 2-60-20-0109C.DWG



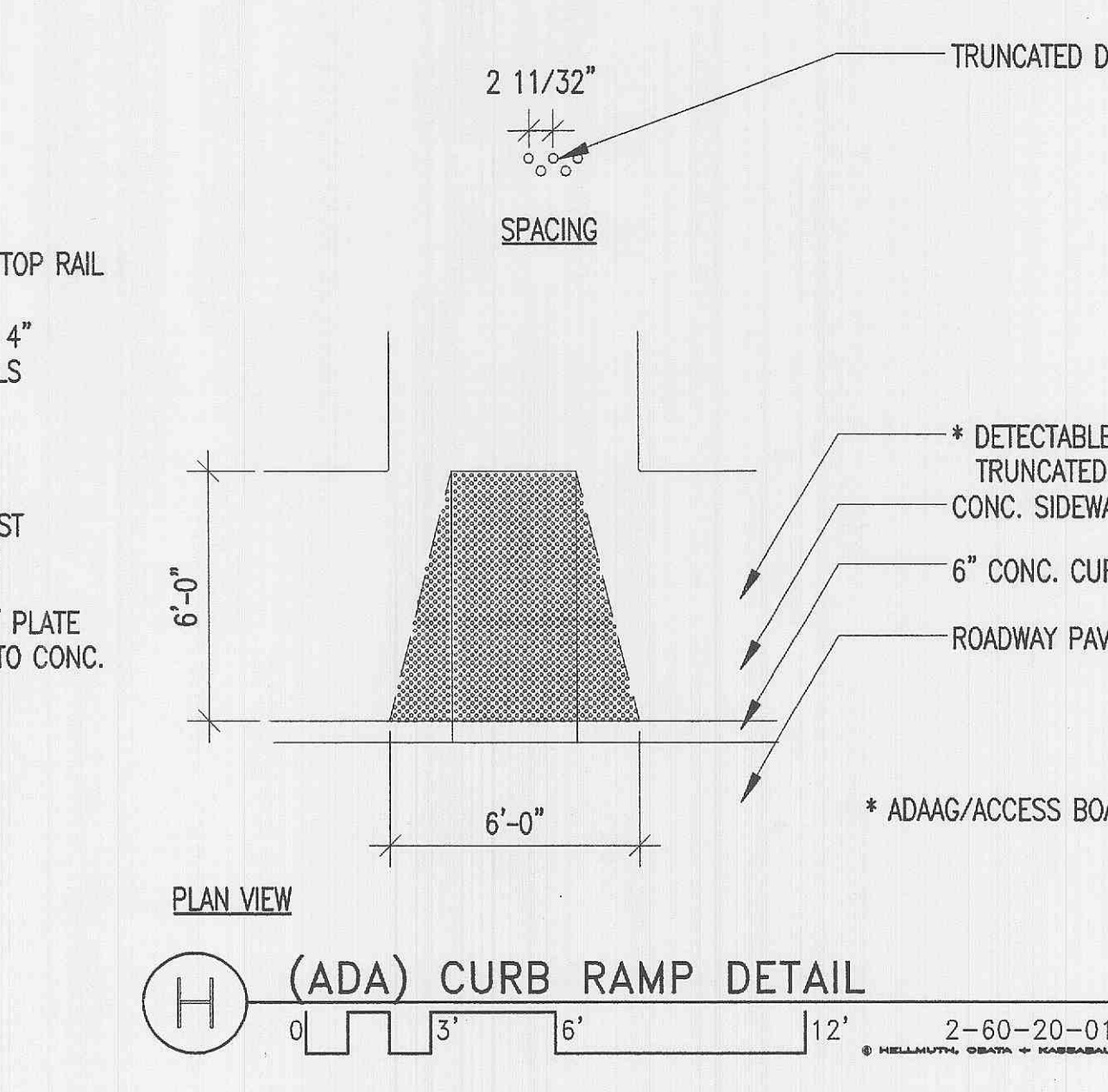
E OPEN SIDED BOARDWALK (6' WIDE)
 25030-0109A.DWG



F RAILED BOARDWALK (6' WIDE)
 25030-0109A.DWG



G WOODEN BRIDGE
 25030-0109A.DWG



H (ADA) CURB RAMP DETAIL
 2-60-20-0109A.DWG

I hereby certify that this plan, specification or report was prepared by me or under my supervision and that I am a duly registered Landscape Architect under the laws of the State of Missouri.
 Richard M. Tolson
 L.A. 71
 9-26-02