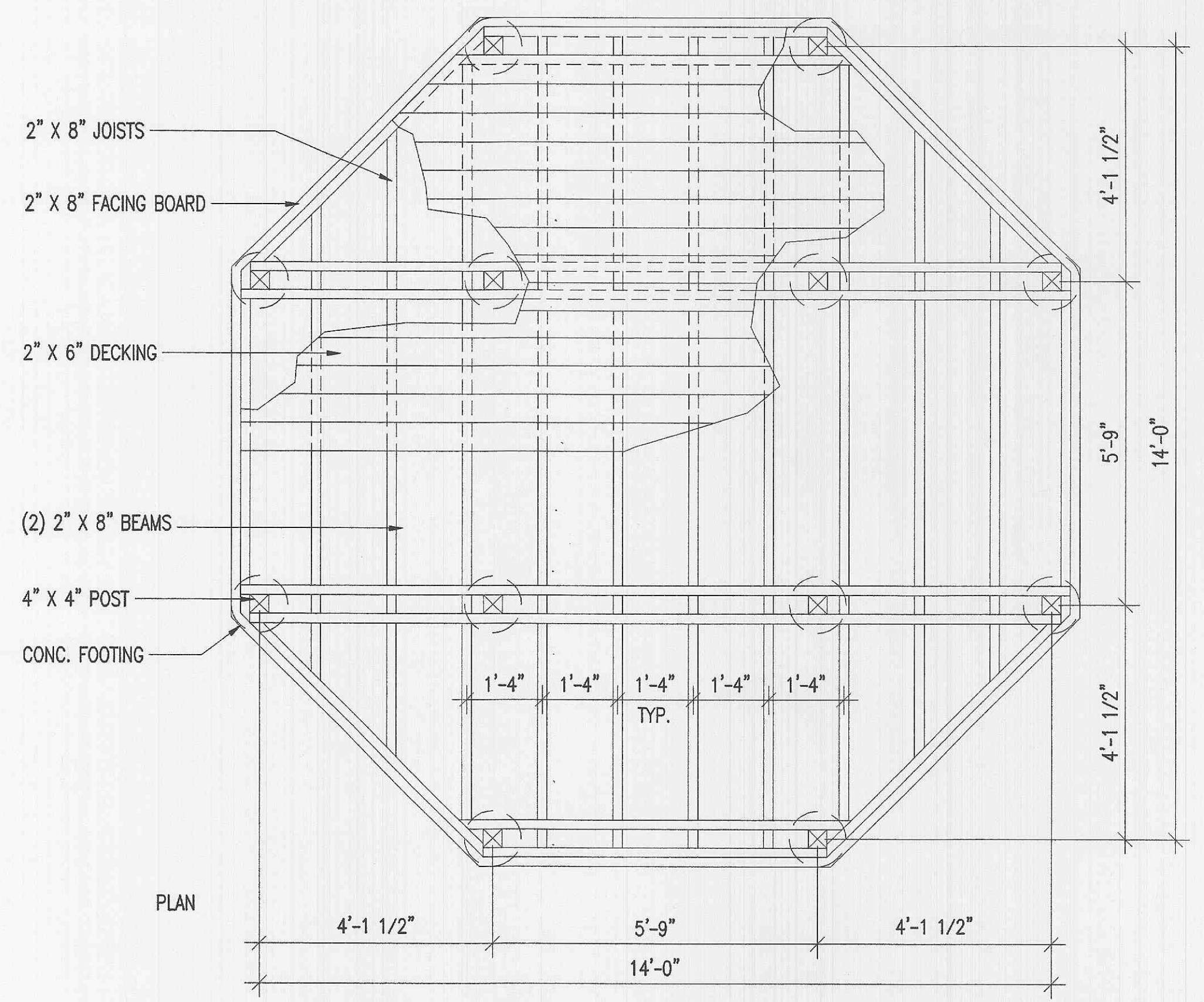
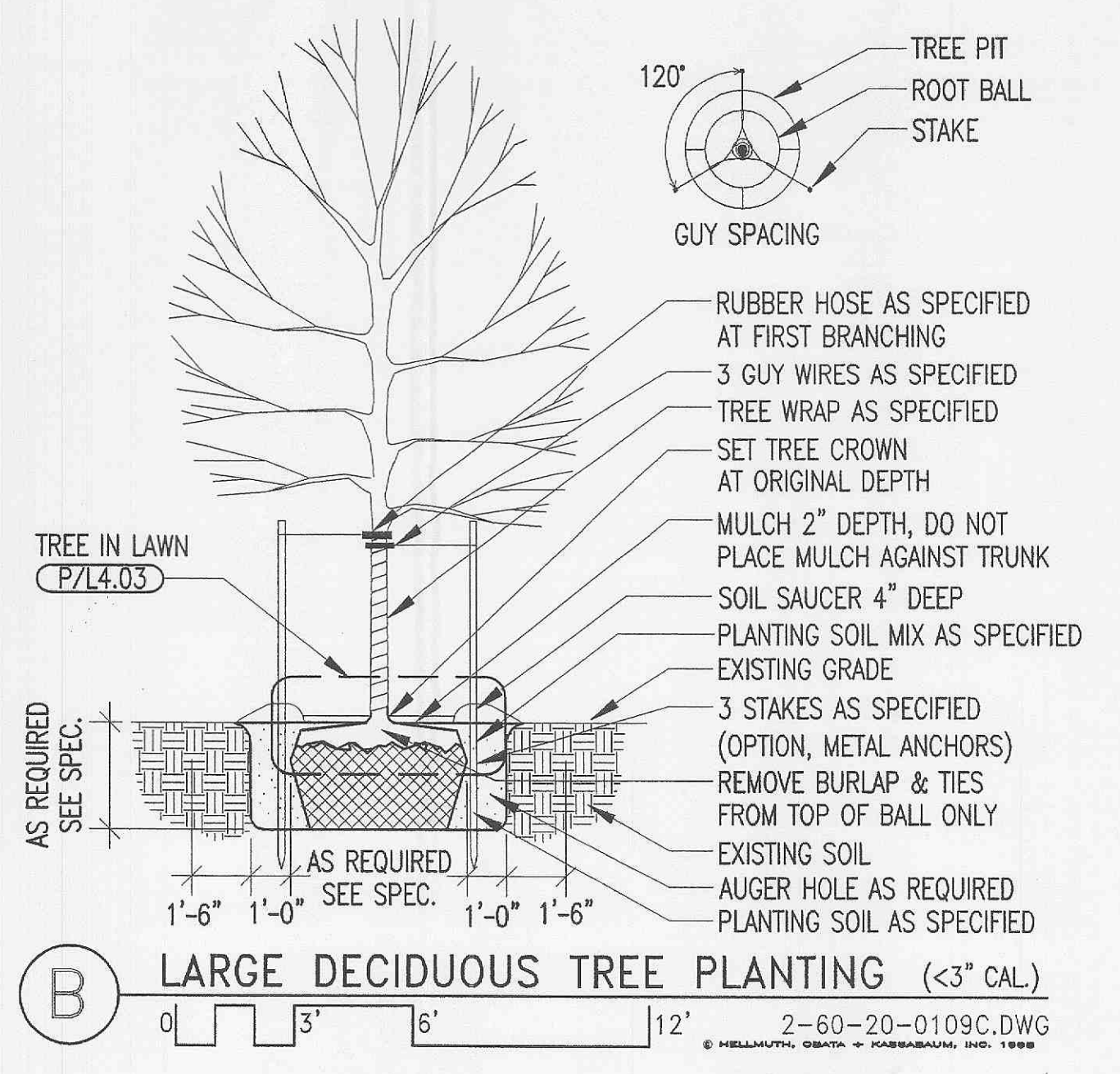


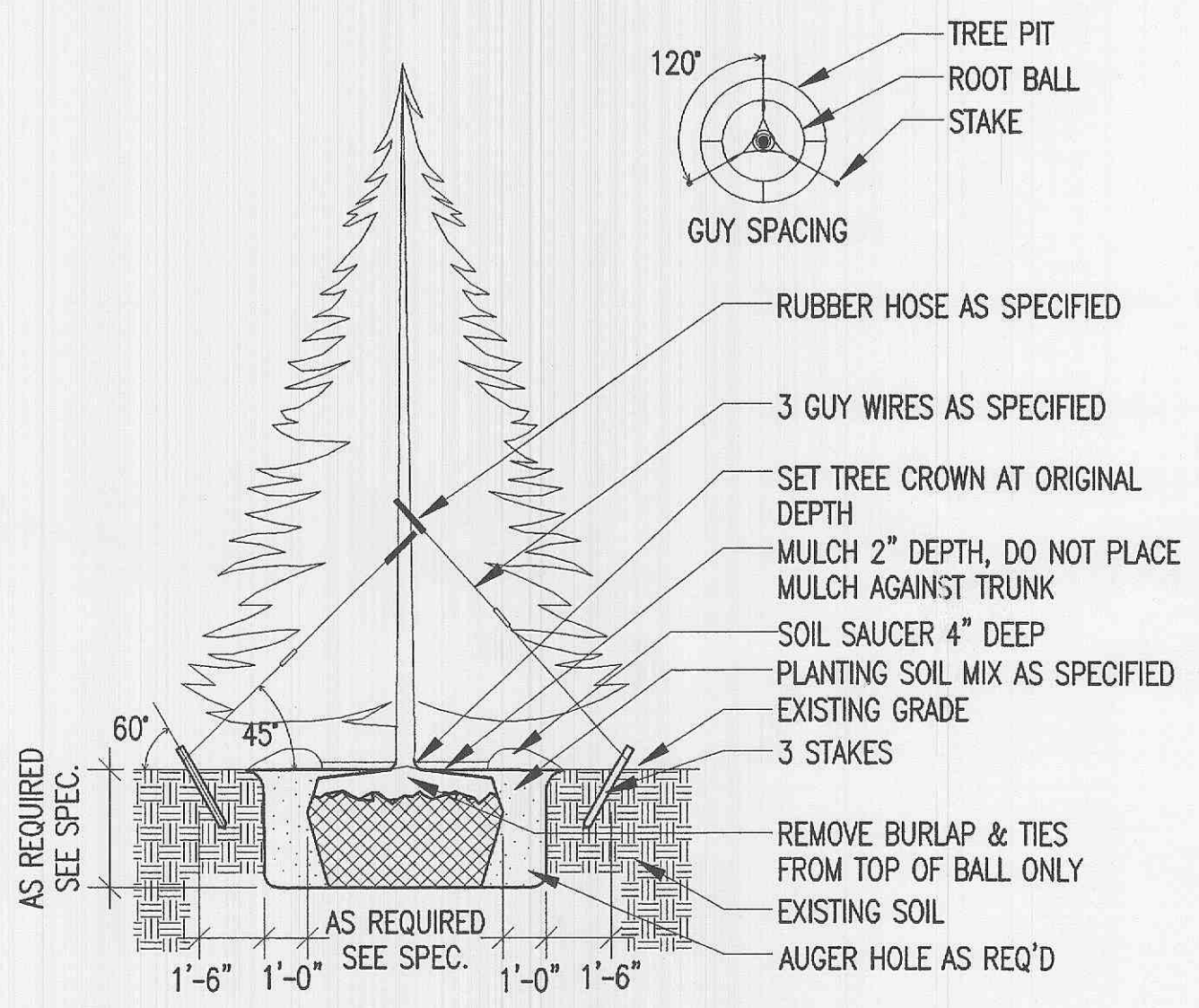
A BOARDWALK OVERLOOK
 0 1.5' 3' 6' 25030-0109A.DWG
 © HELLMUTH, OBATA + KASSABAUM, INC. 1999



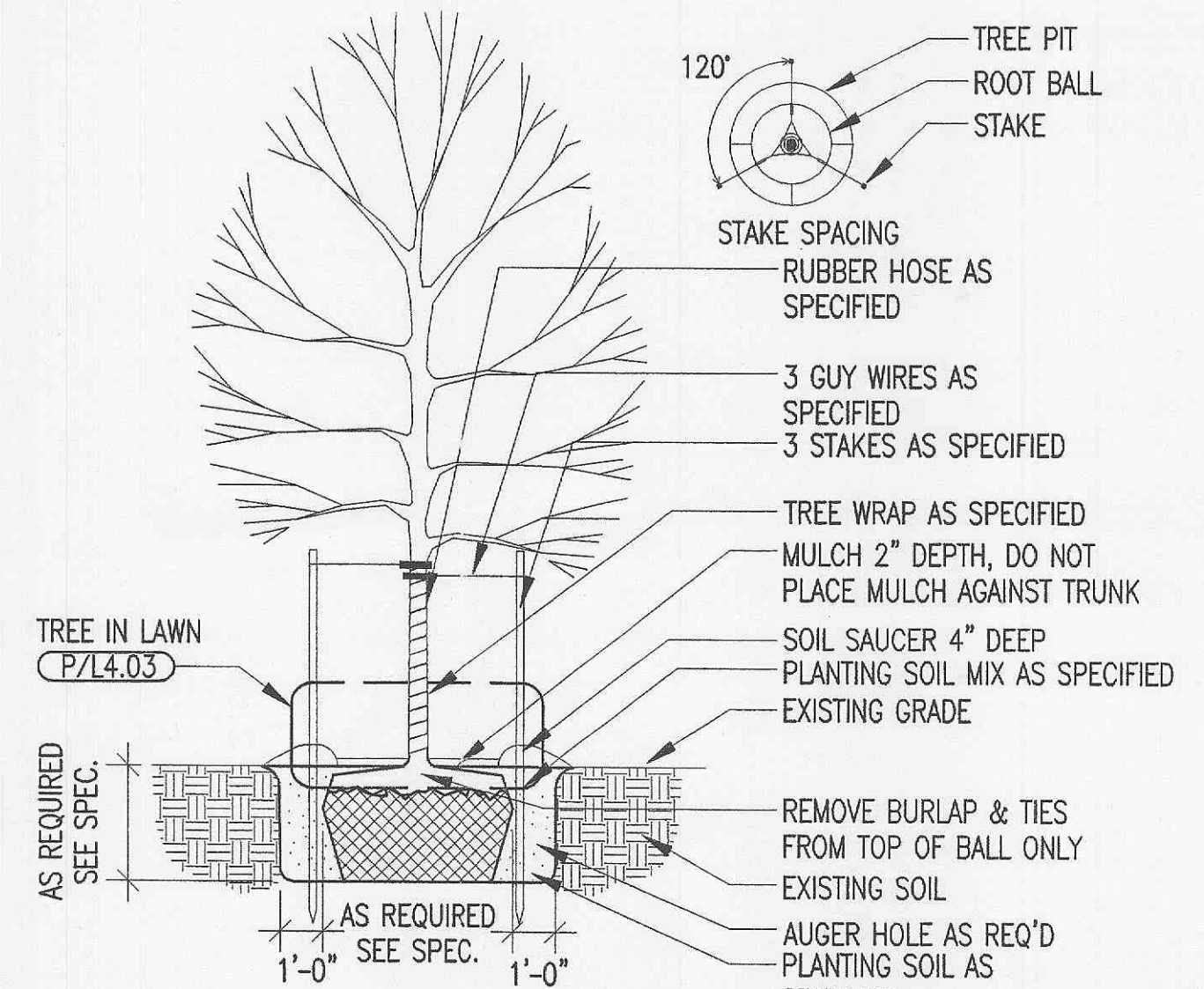
NOTE:
 FOR GUARDRAIL DETAIL
 SEE BOARDWALK DETAIL
 WITH GUARDRAIL.



B LARGE DECIDUOUS TREE PLANTING (<3" CAL.)
 0 3' 6' 12' 2-60-20-0109C.DWG
 © HELLMUTH, OBATA + KASSABAUM, INC. 1999



C EVERGREEN TREE PLANTING
 0 3' 6' 12' 2-60-20-0109E.DWG
 © HELLMUTH, OBATA + KASSABAUM, INC. 1999

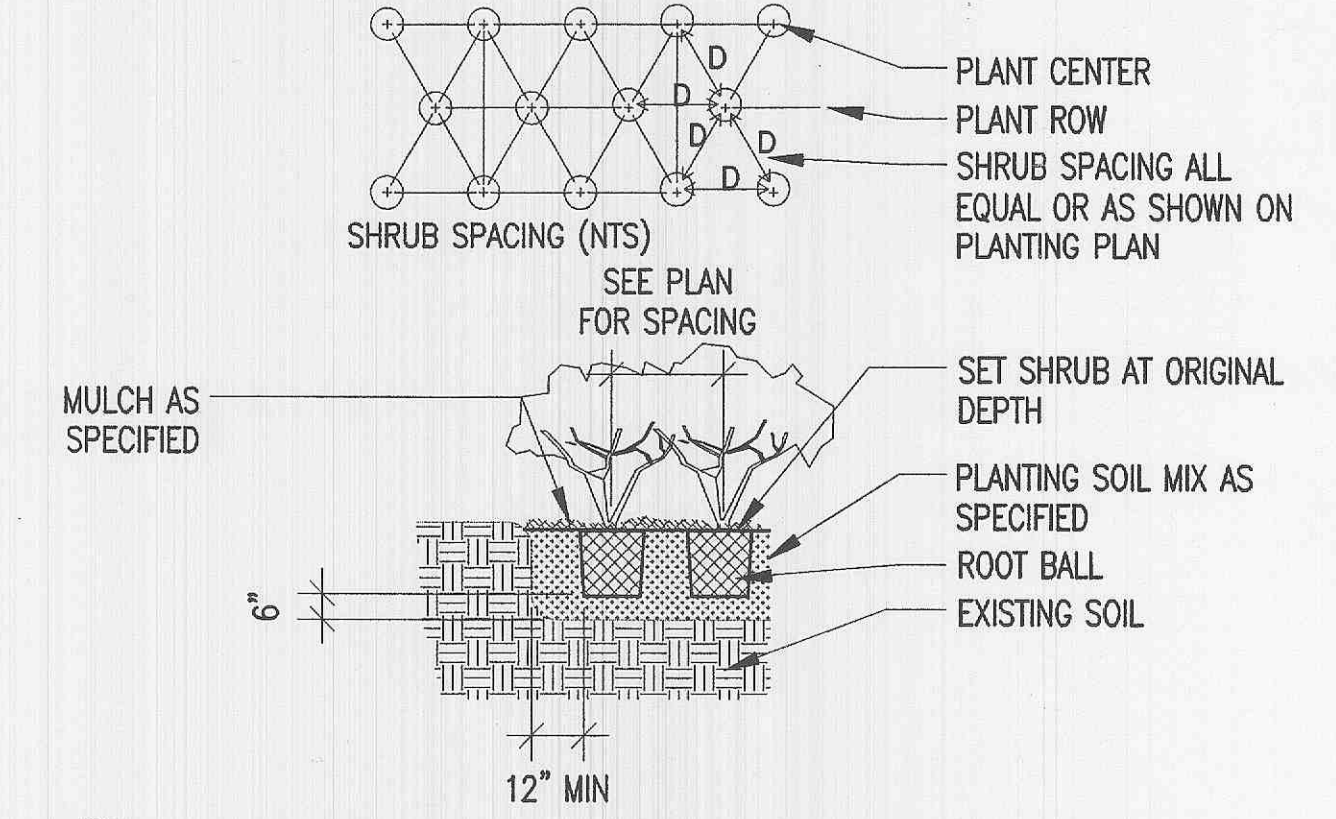


D SMALL DECIDUOUS TREE PLANTING (<3" CAL.)
 0 3' 6' 12' 2-60-20-0109A.DWG
 © HELLMUTH, OBATA + KASSABAUM, INC. 1999

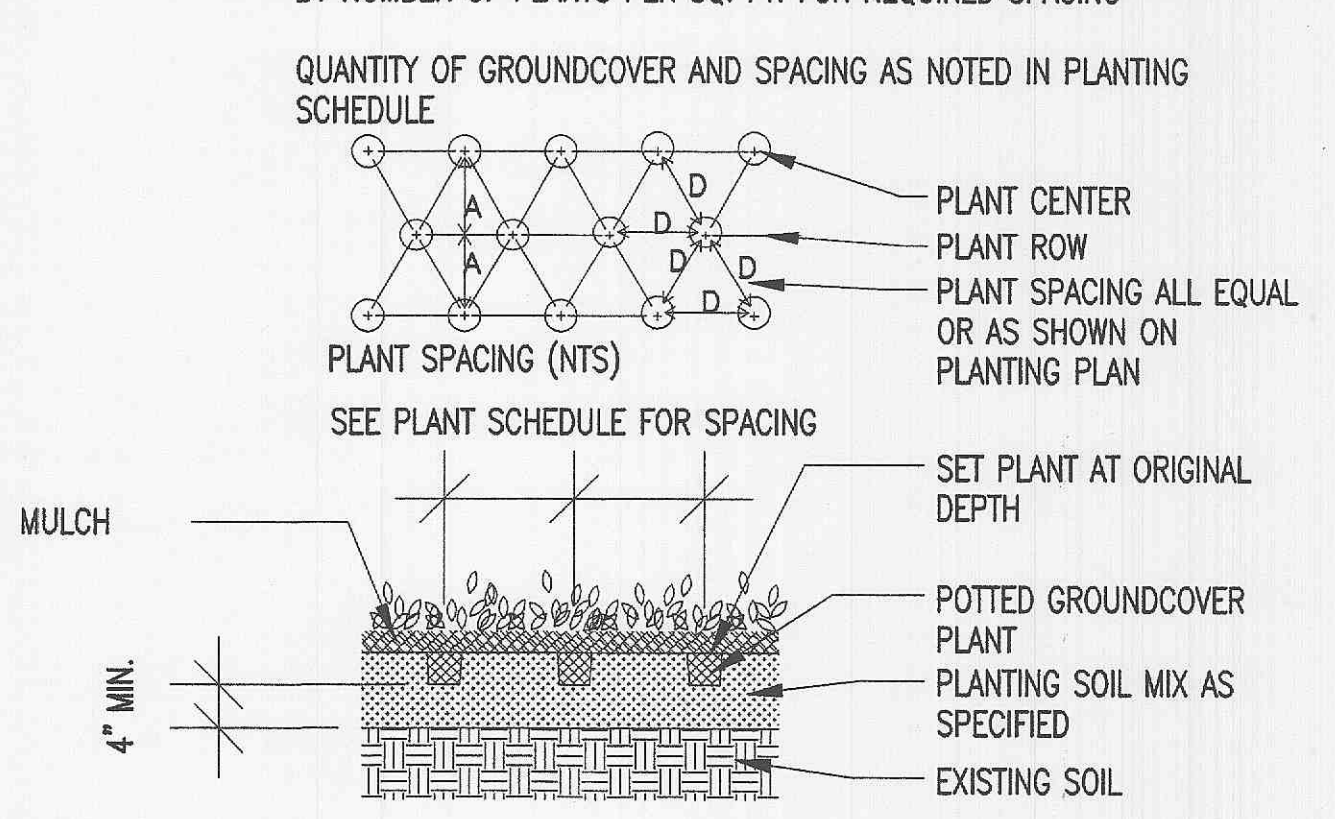
SPACING "D"	ROW "A"	NUMBER OF PLANTS PER SQ. FT.
24"	20.8"	.290
30"	26"	.185
36"	30"	.120
4"	41.5"	.073
5"	52"	.046

SPACING "D"	ROW "A"	NUMBER OF PLANTS PER SQ. FT.
12" O.C.	10.4"	1.15
10" O.C.	8.7"	1.66
8" O.C.	6.9"	2.60

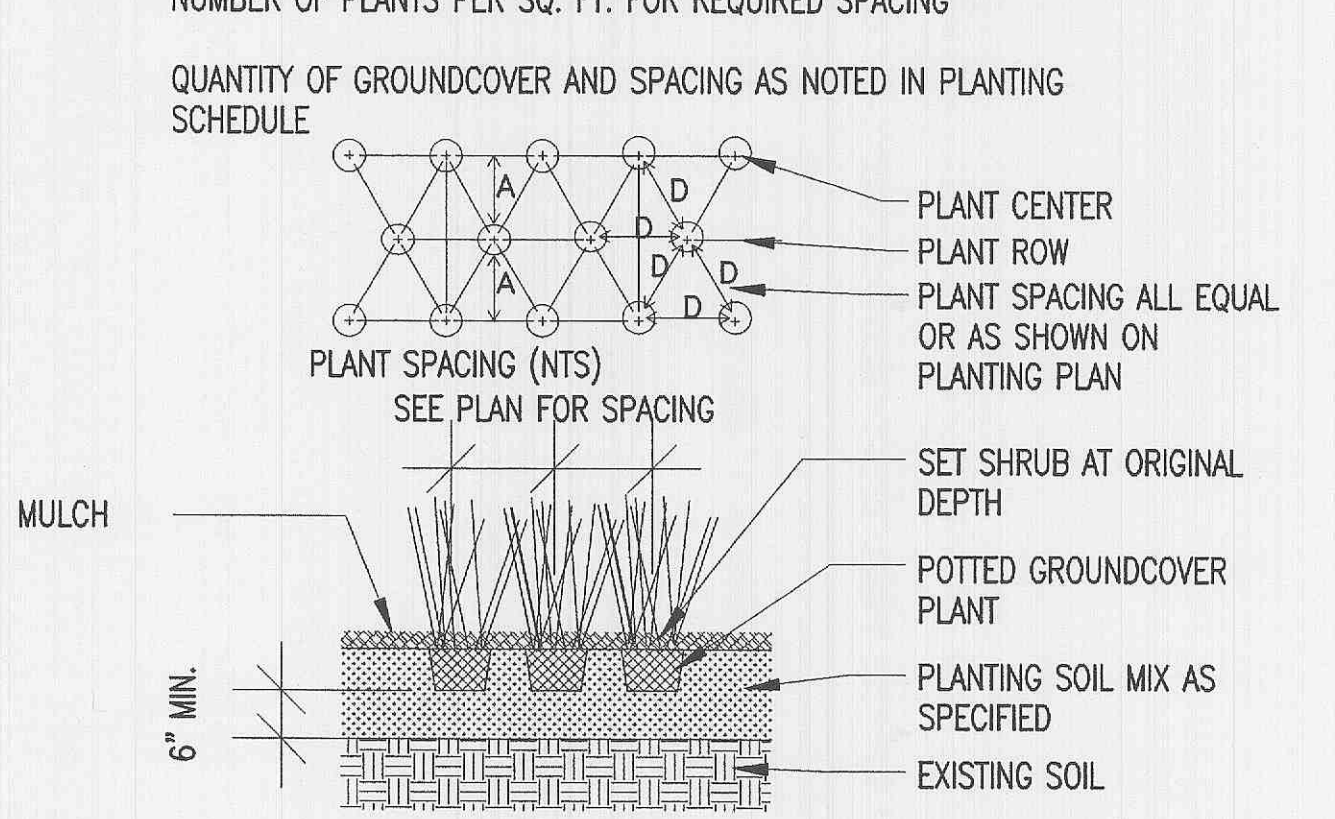
SPACING "D"	ROW "A"	NUMBER OF PLANTS PER SQ. FT.
18" O.C.	15.6"	0.50
12" O.C.	10.4"	1.15
10" O.C.	8.7"	1.66
8" O.C.	6.9"	2.60



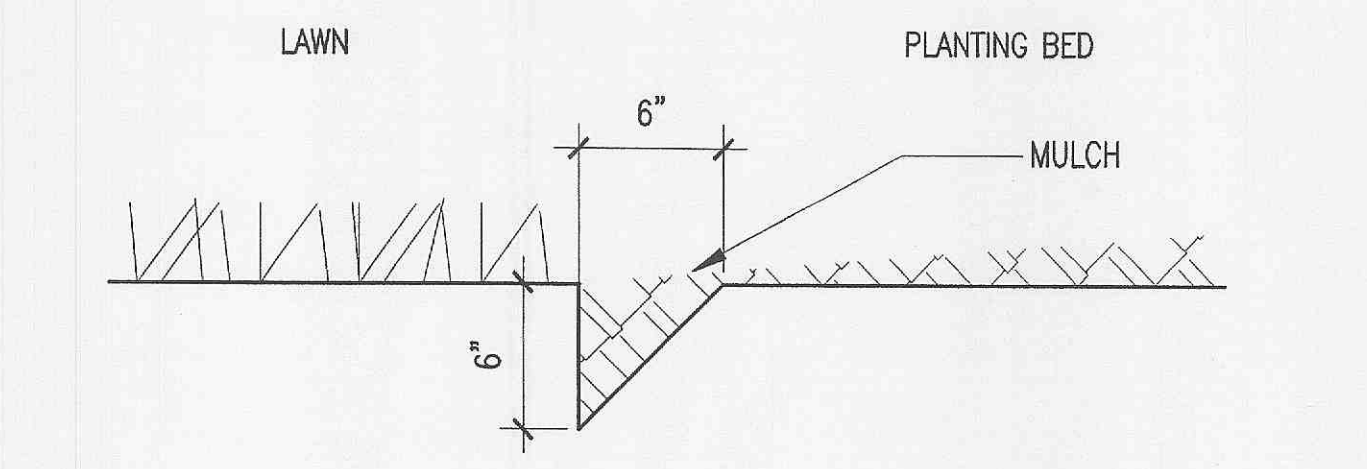
E SHRUB PLANTING
 0 3' 6' 12' 2-60-30-0109A.DWG
 © HELLMUTH, OBATA + KASSABAUM, INC. 1999



F GROUNDCOVER PLANTING
 0 1.5' 3' 6' 2-60-40-0109A.DWG
 © HELLMUTH, OBATA + KASSABAUM, INC. 1999



G PERENNIAL / GRASS PLANTING
 0 1.5' 3' 6' 26040-0107B.DWG
 © HELLMUTH, OBATA + KASSABAUM, INC. 1999



H SPADE CUT EDGE DETAIL
 NOT TO SCALE
 © HELLMUTH, OBATA + KASSABAUM, INC. 1999

I hereby certify that this plan, specification or report was prepared by me or under my supervision and that I am a duly registered Landscape Architect under the laws of the STATE OF MISSOURI.
Richard M. Koehnelt
 L.A. 71
 9-26-02

Wetland and Boardwalk Project

WINGHAVEN
 O'Fallon, Missouri

ISSUED:

REVISIONS:

NO	DESCRIPTION	BY	DATE
1	ENTIRE SHEET	CM	04/23/02
2	ENTIRE SHEET	CM	07/24/02
3	ENTIRE SHEET	CM	09/25/02

DRAWN: SAW
 REVIEWED: SAW
 SHEET NUMBER:
L-6
 SHEET 6 OF 7
 PROJECT NUMBER:
 02-0112-05