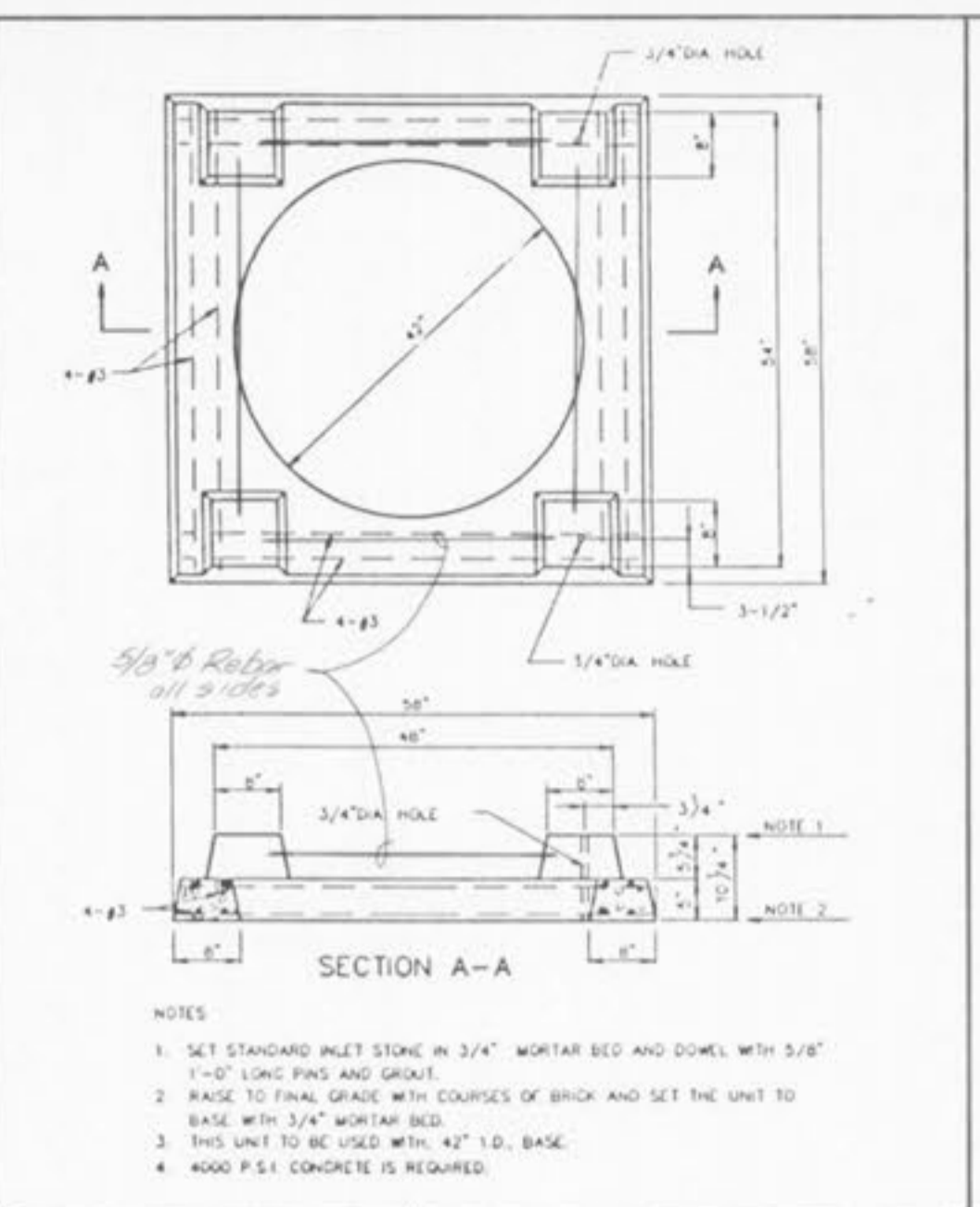
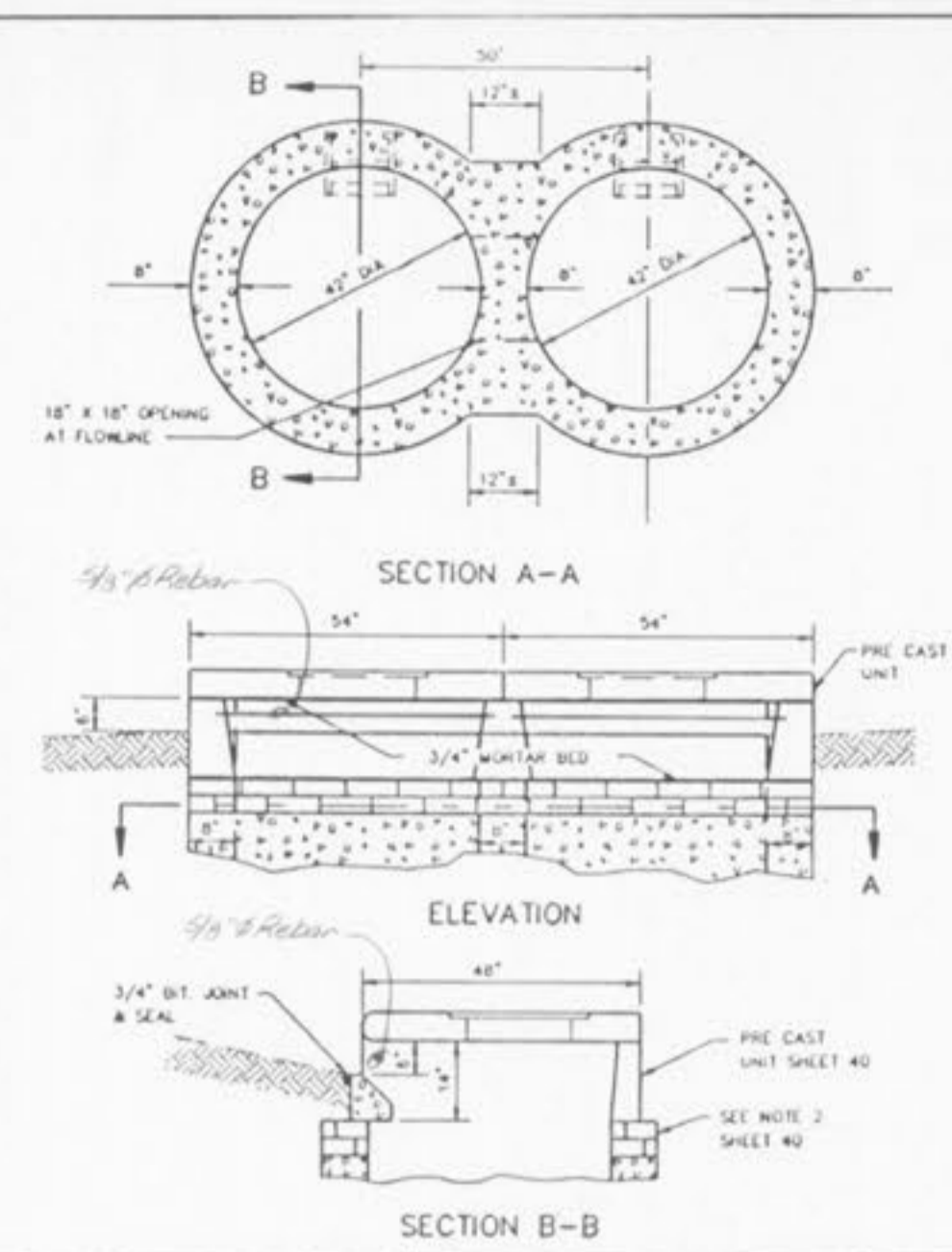


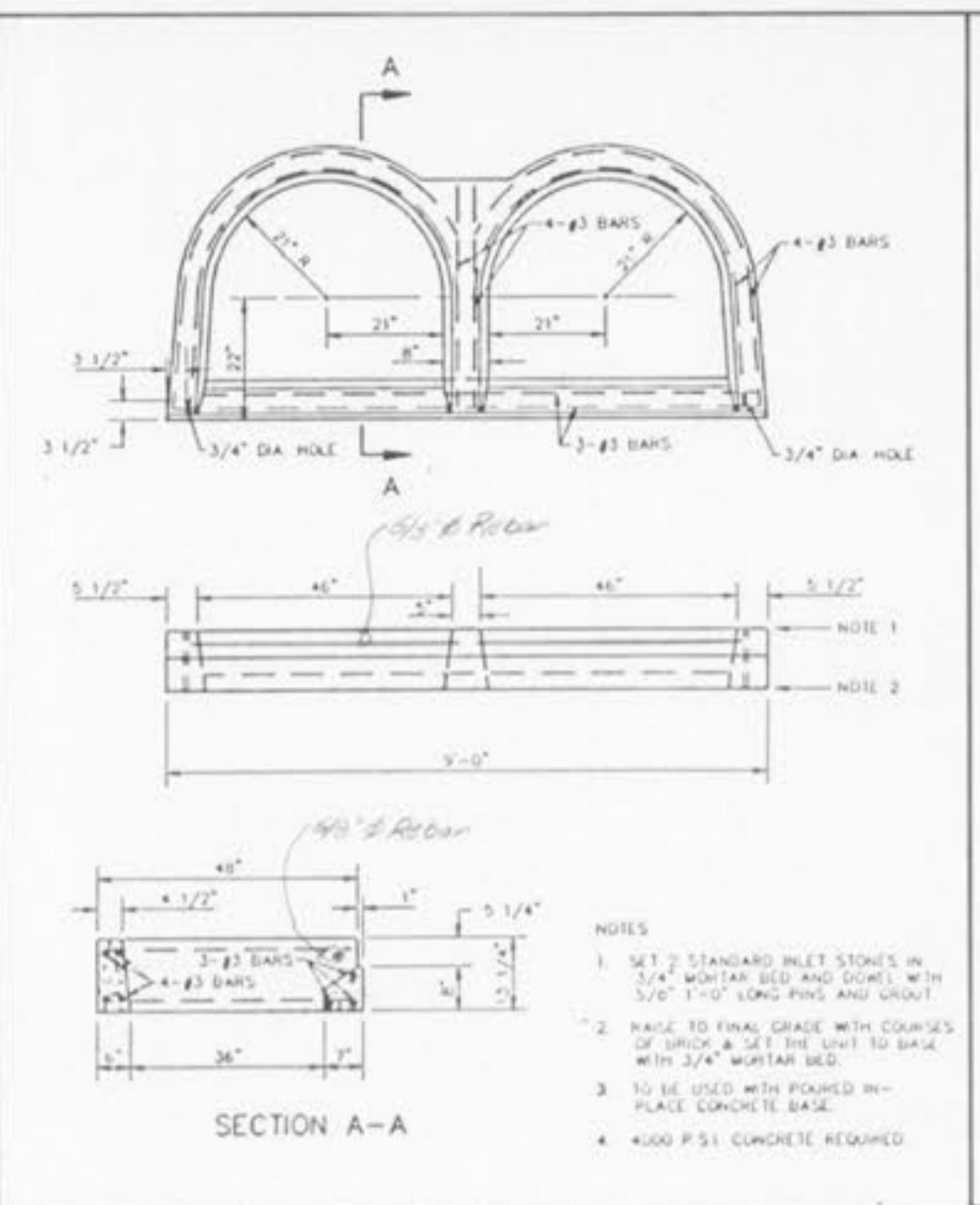
PRE-CAST CONCRETE UNIT FOR SINGLE STREET INLET METROPOLITAN ST. LOUIS SEWER DISTRICT Standard Details of Sewer Construction Dr. W.S.H. Ch. J.C.K. 1992 SHEET 37



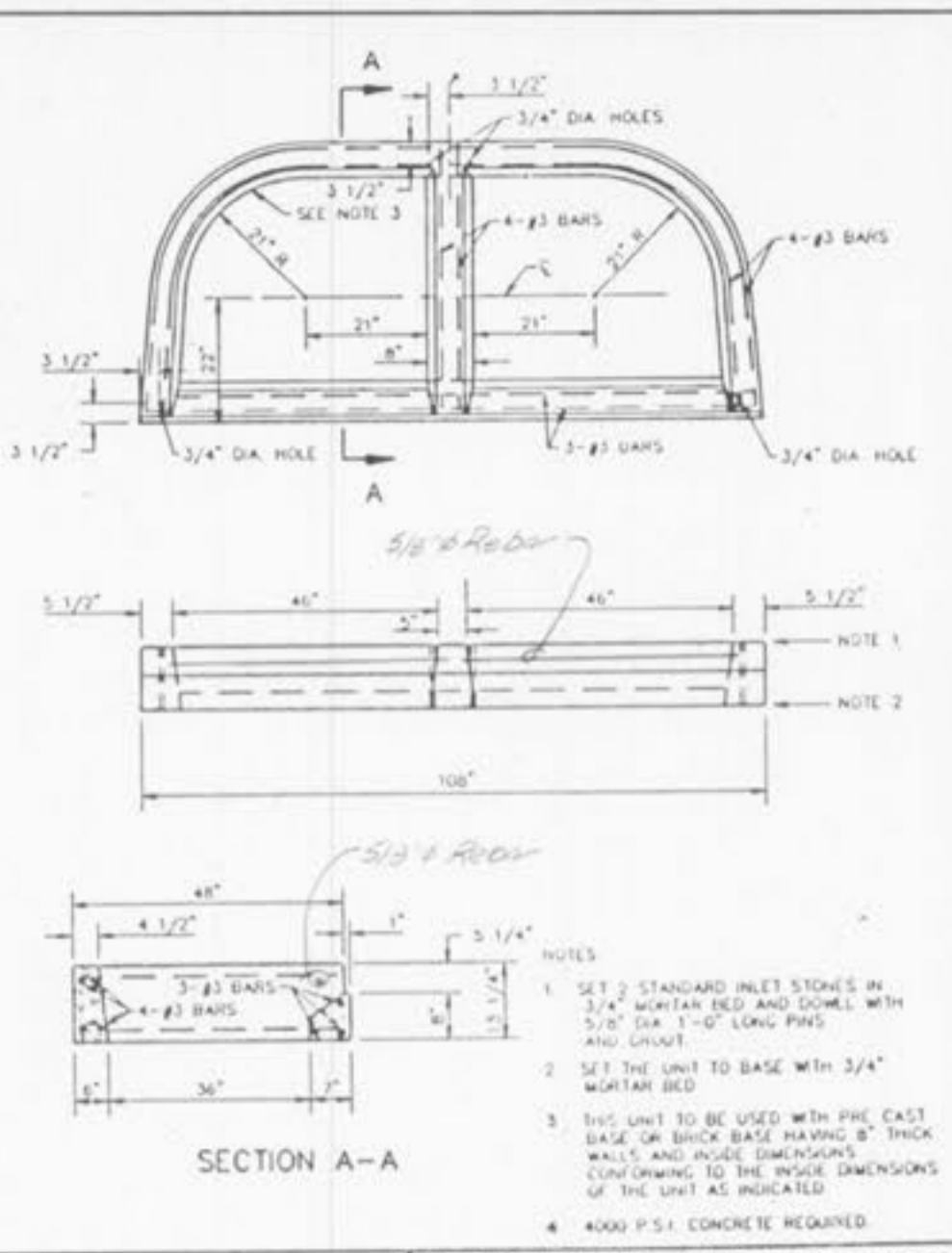
PRE-CAST CONCRETE UNIT FOR 4 WAY AREA INLET METROPOLITAN ST. LOUIS SEWER DISTRICT Standard Details of Sewer Construction Dr. D.A.B. Ch. J.C.K. 1992 SHEET 38



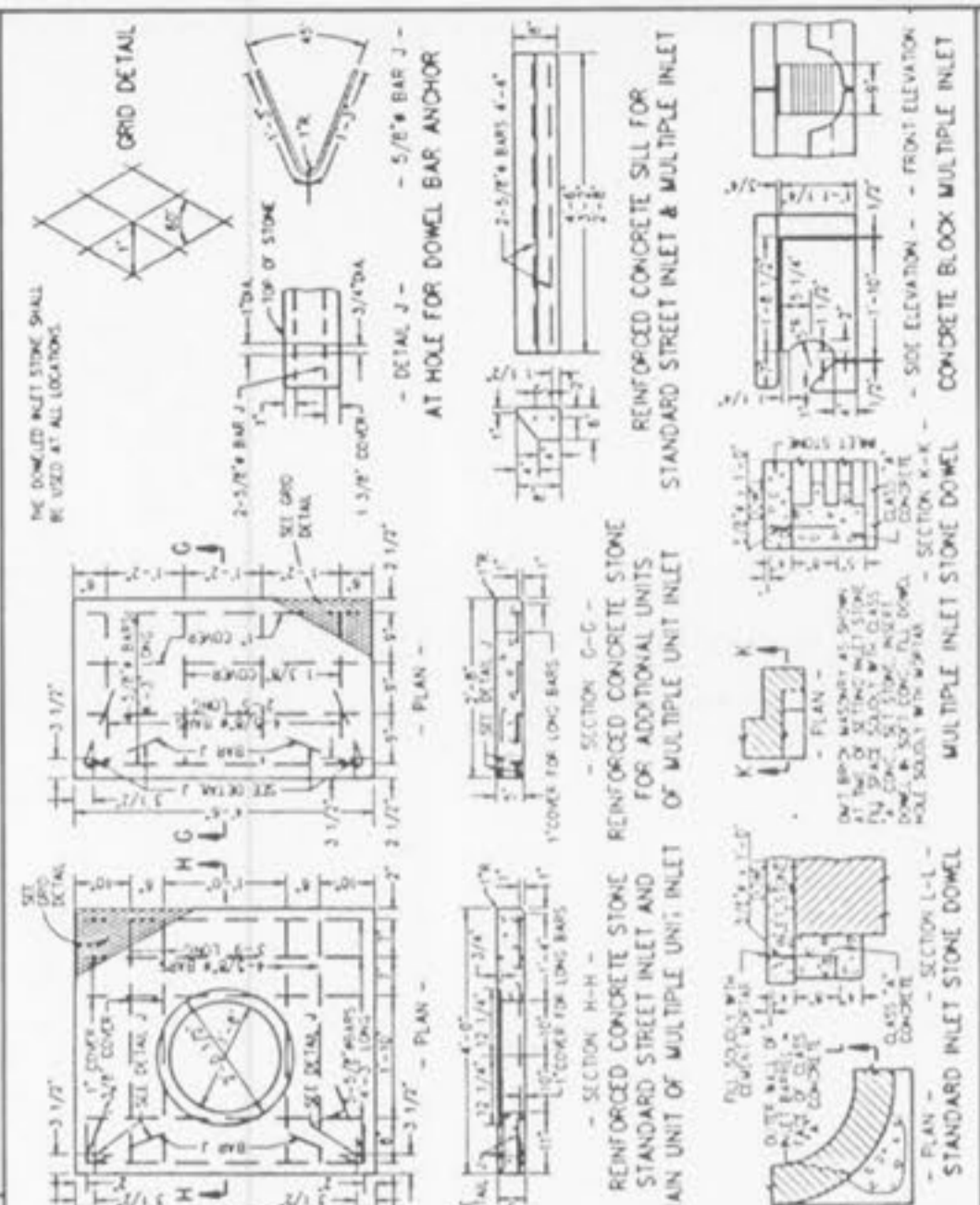
CONCRETE DOUBLE STREET INLET W/PRE-CAST CONCRETE UNIT A METROPOLITAN ST. LOUIS SEWER DISTRICT Standard Details of Sewer Construction Dr. R.C.W. Ch. J.C.K. 1992 SHEET 39



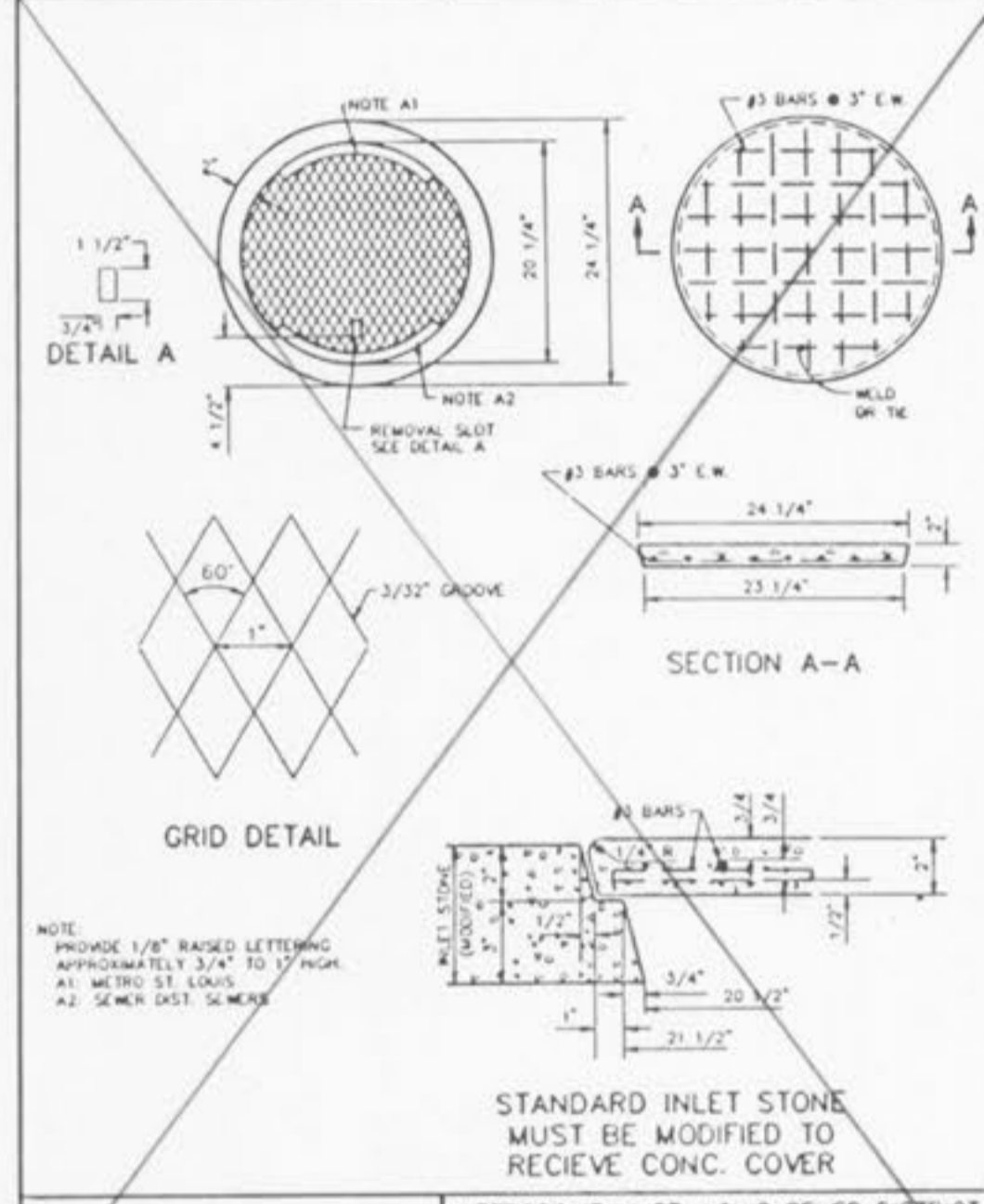
PRE-CAST CONCRETE UNIT A FOR STREET DOUBLE INLET METROPOLITAN ST. LOUIS SEWER DISTRICT Standard Details of Sewer Construction Dr. R.C.W. Ch. J.C.K. 1992 SHEET 40



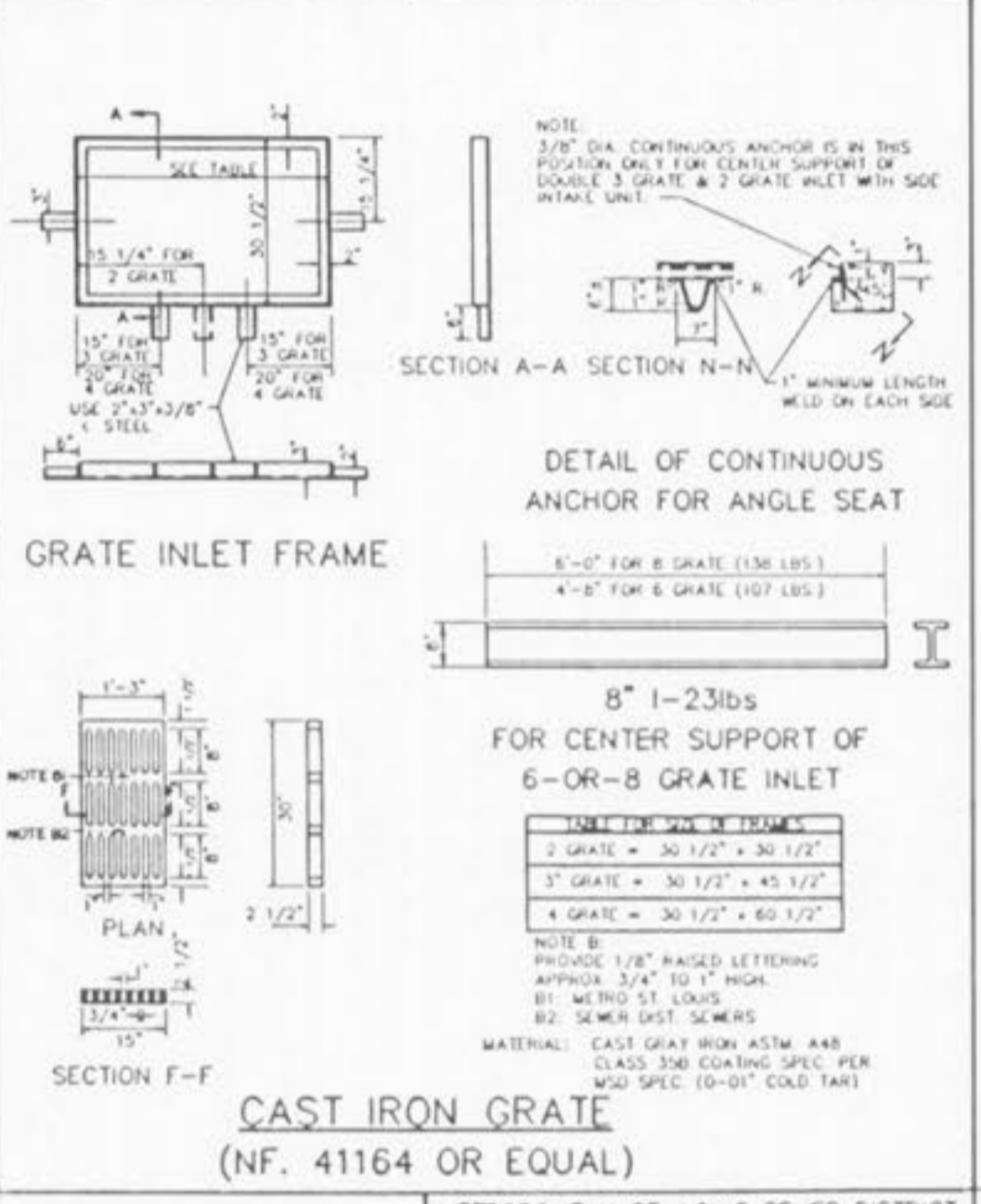
PRE-CAST CONCRETE UNIT B FOR STREET DOUBLE INLET METROPOLITAN ST. LOUIS SEWER DISTRICT Standard Details of Sewer Construction Dr. R.C.W. Ch. J.C.K. 1992 SHEET 41



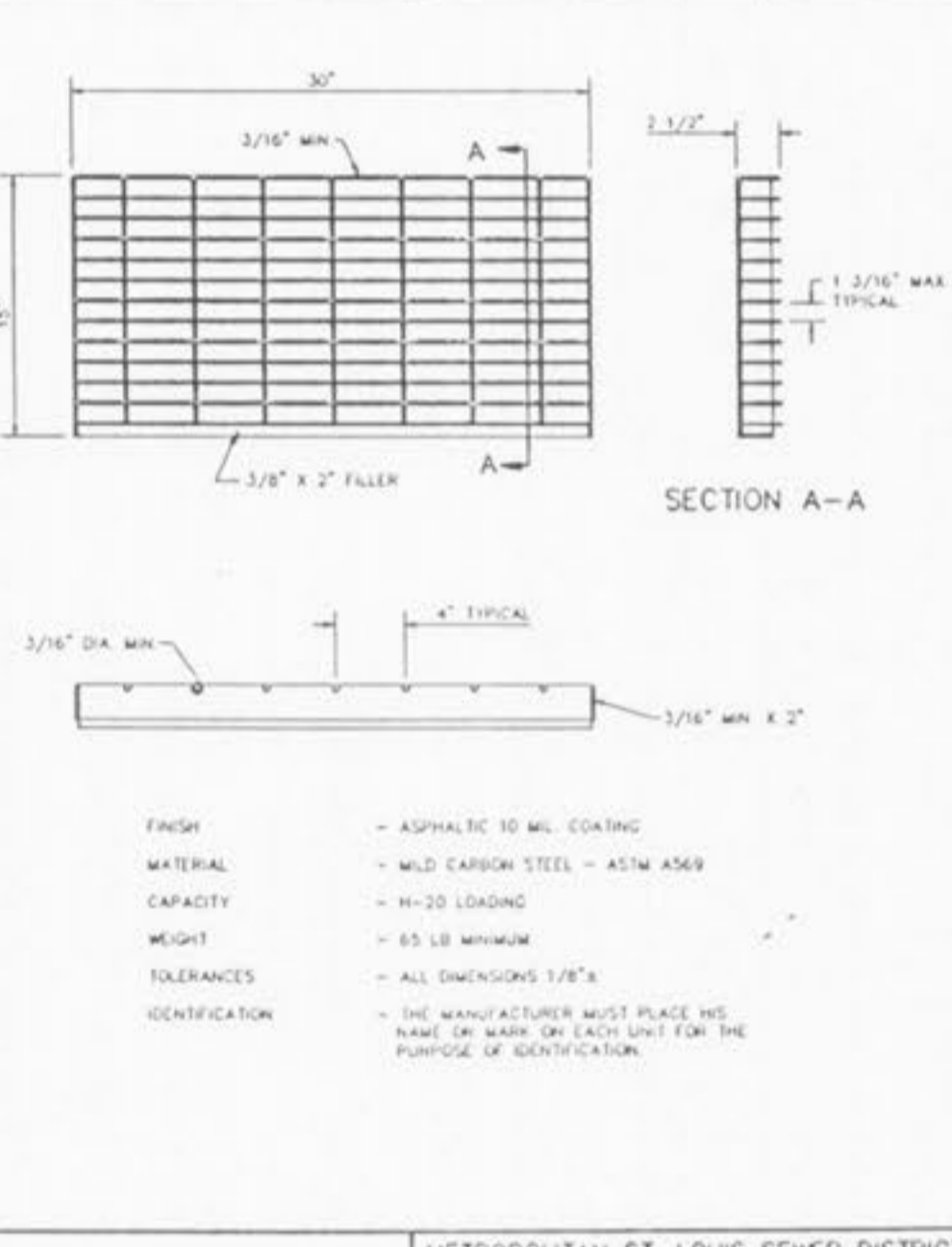
STANDARD - INLET STONES, BLOCKS & DESIGN DETAILS METROPOLITAN ST. LOUIS SEWER DISTRICT Standard Details of Sewer Construction Dr. W.S.H. Ch. J.C.K. 1992 SHEET 42



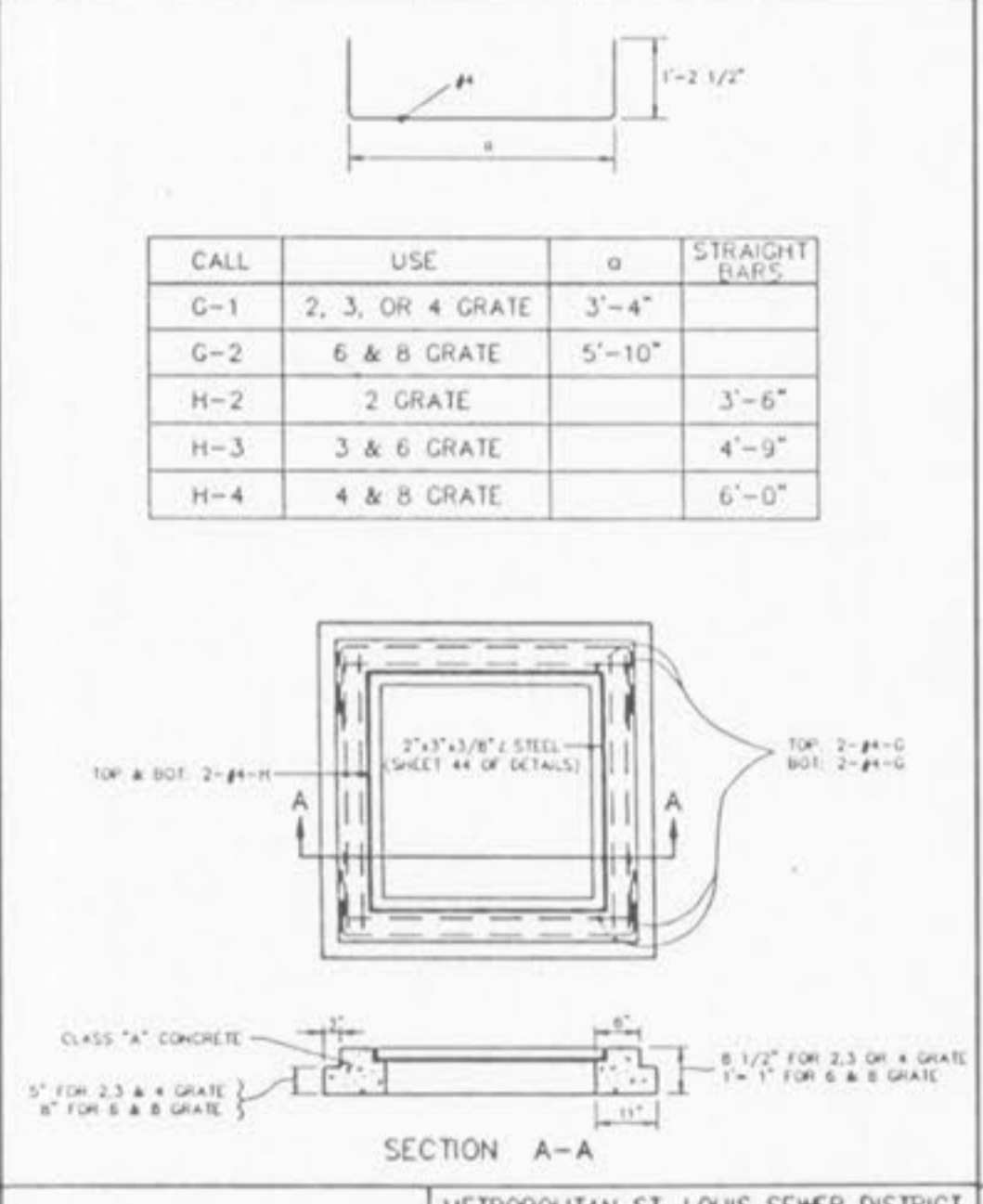
PRE-CAST CONCRETE INLET COVER METROPOLITAN ST. LOUIS SEWER DISTRICT Standard Details of Sewer Construction Dr. R.C.W. Ch. J.C.K. 1992 SHEET 43



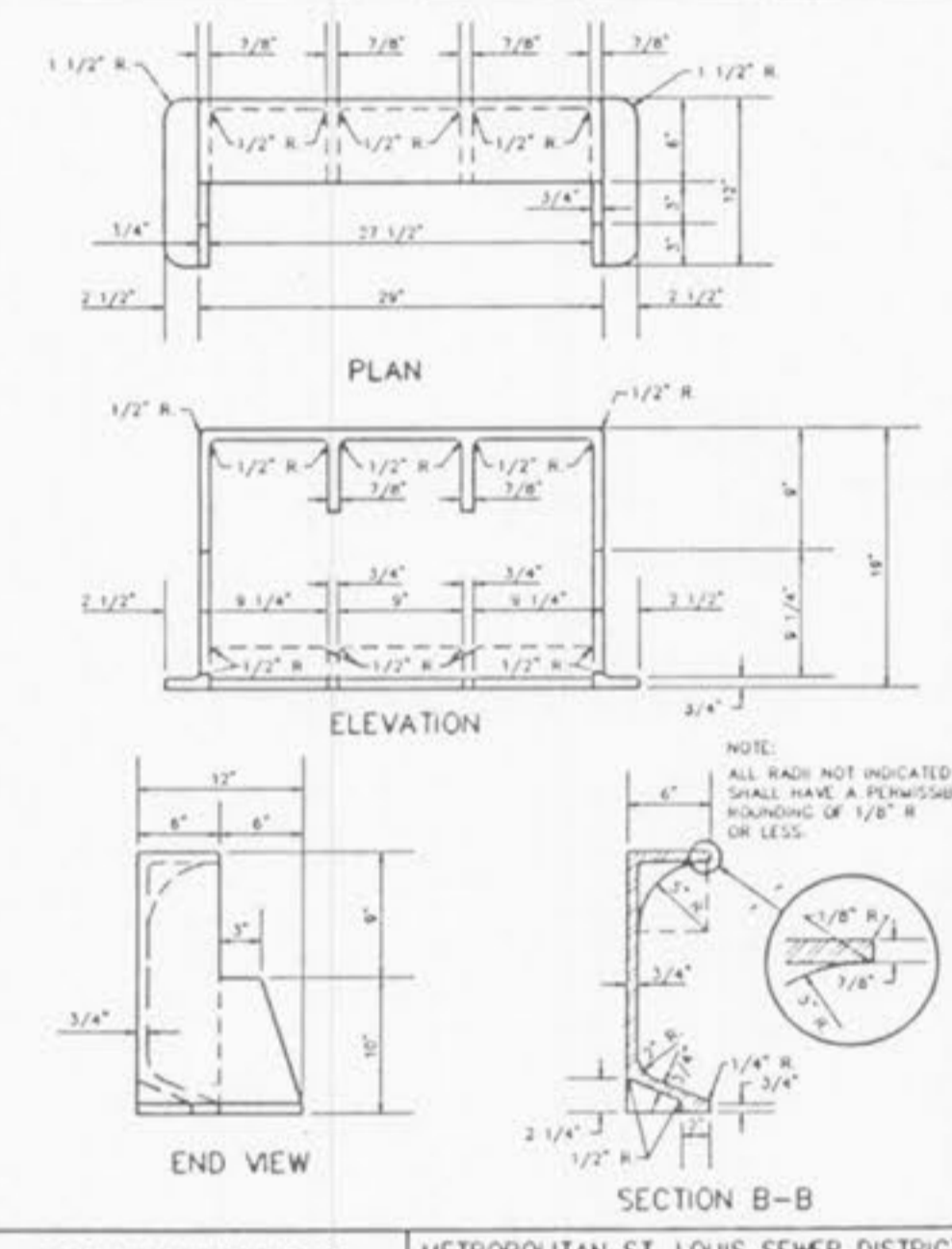
DETAILS OF INLET FRAME AND GRATES METROPOLITAN ST. LOUIS SEWER DISTRICT Standard Details of Sewer Construction Dr. R.C.W. Ch. J.C.K. 1992 SHEET 44



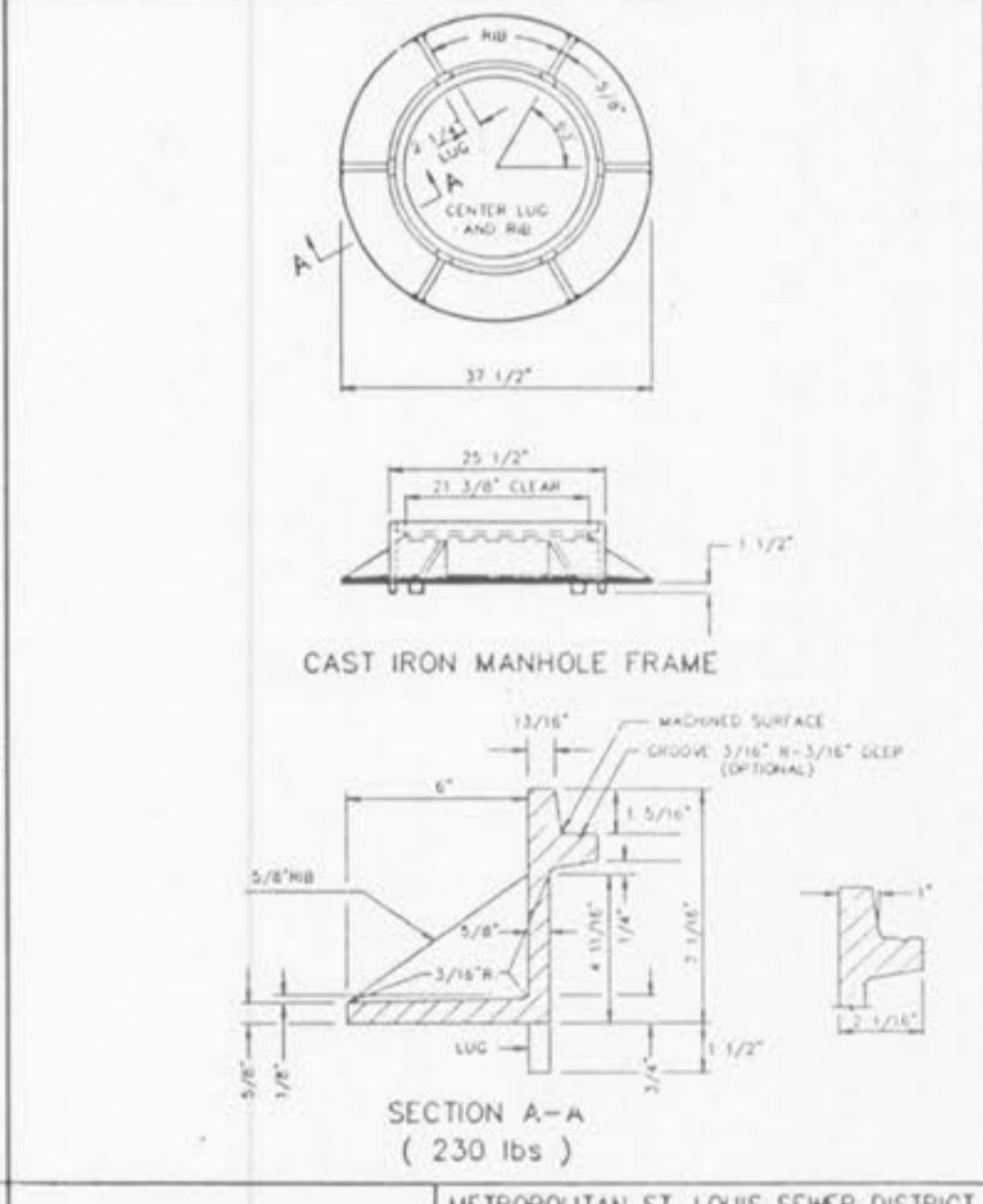
DETAIL OF STEEL GRATE METROPOLITAN ST. LOUIS SEWER DISTRICT Standard Details of Sewer Construction Dr. R.C.W. Ch. J.C.K. 1992 SHEET 45



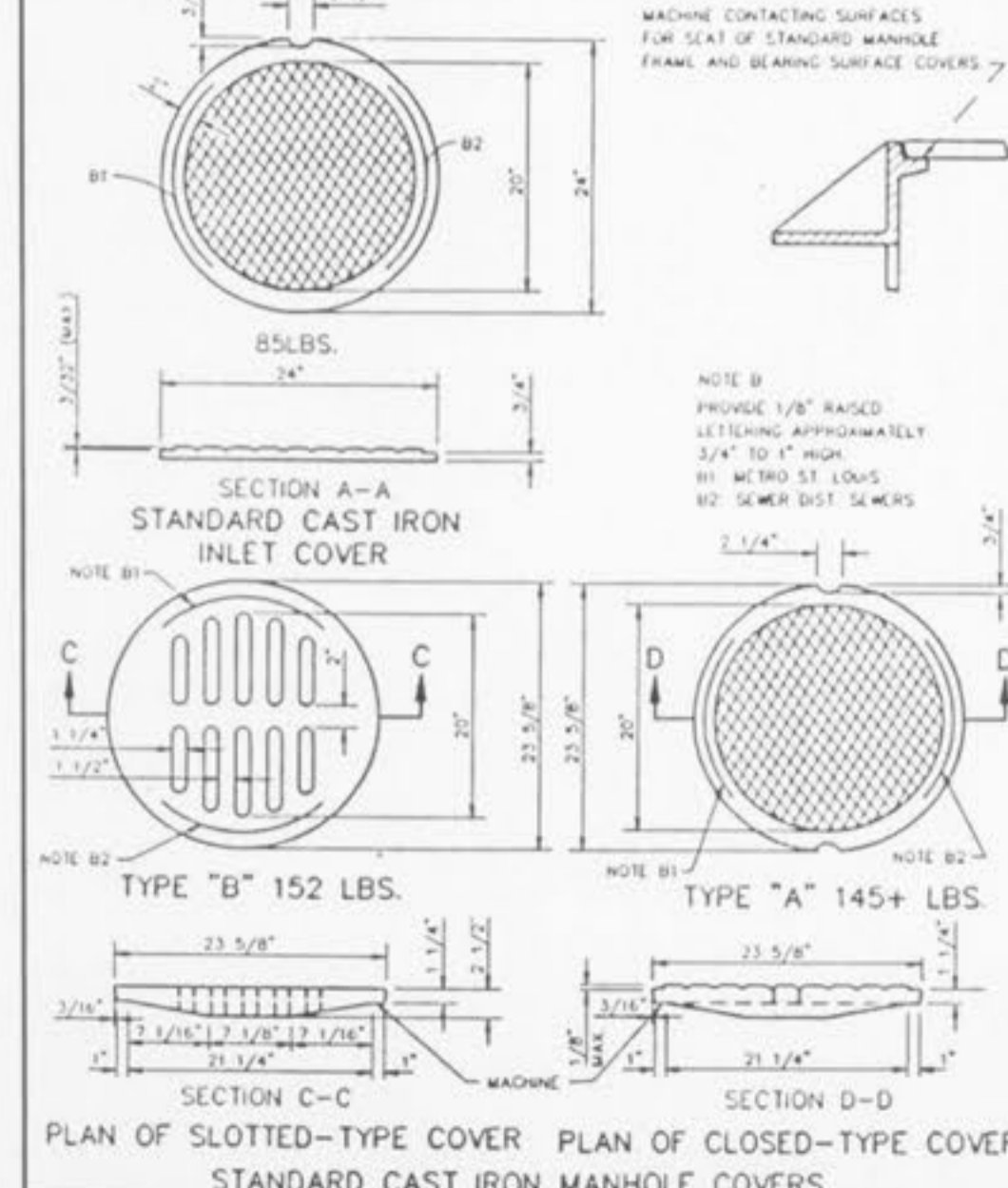
STEEL REQUIREMENTS FOR GRATE INLET SEAT METROPOLITAN ST. LOUIS SEWER DISTRICT Standard Details of Sewer Construction Dr. W.S.H. Ch. J.C.K. 1992 SHEET 46



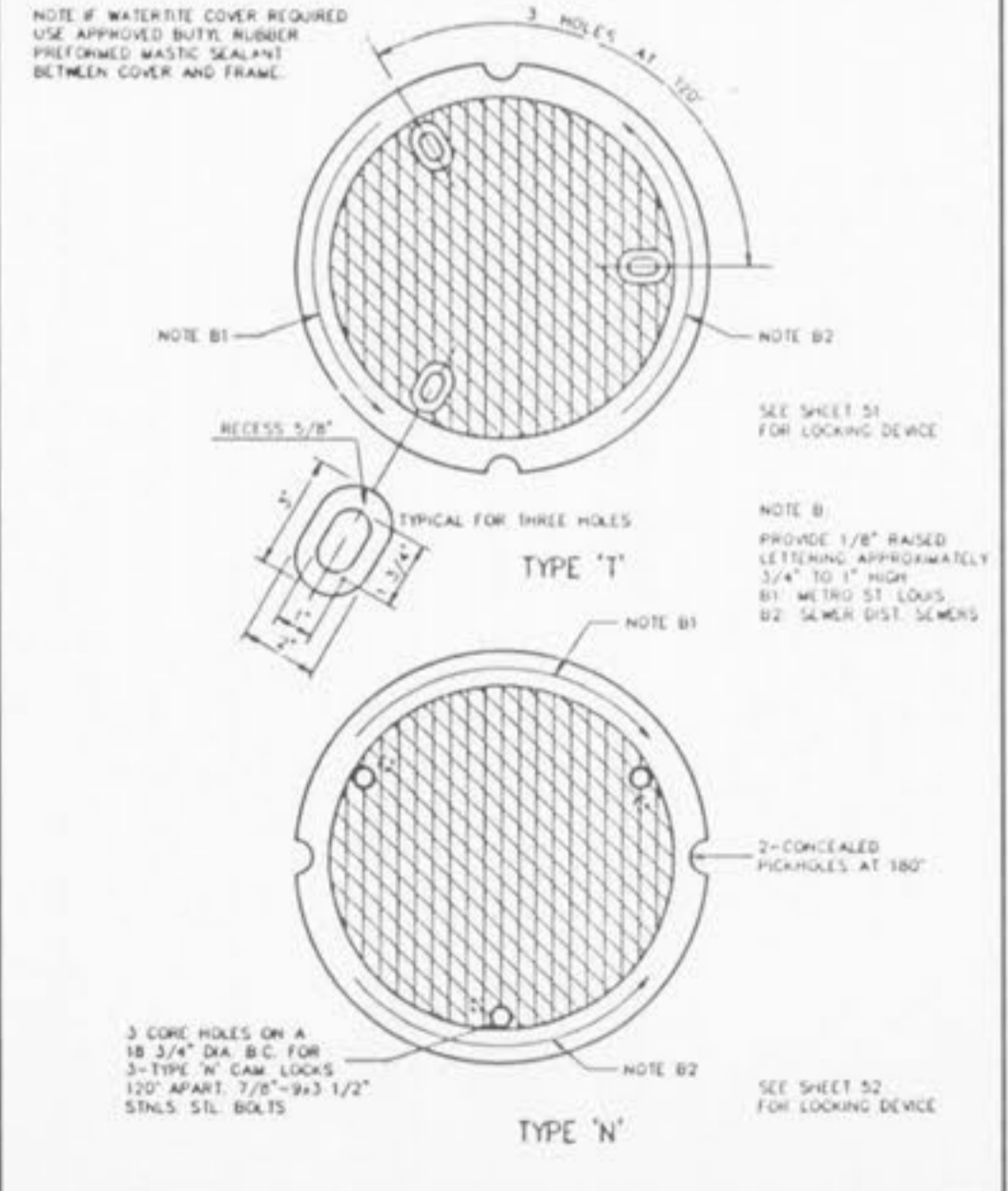
CAST IRON SIDE INTAKE UNIT FOR GRATED INLETS 249 LBS. METROPOLITAN ST. LOUIS SEWER DISTRICT Standard Details of Sewer Construction Dr. R.C.W. Ch. J.C.K. 1992 SHEET 47



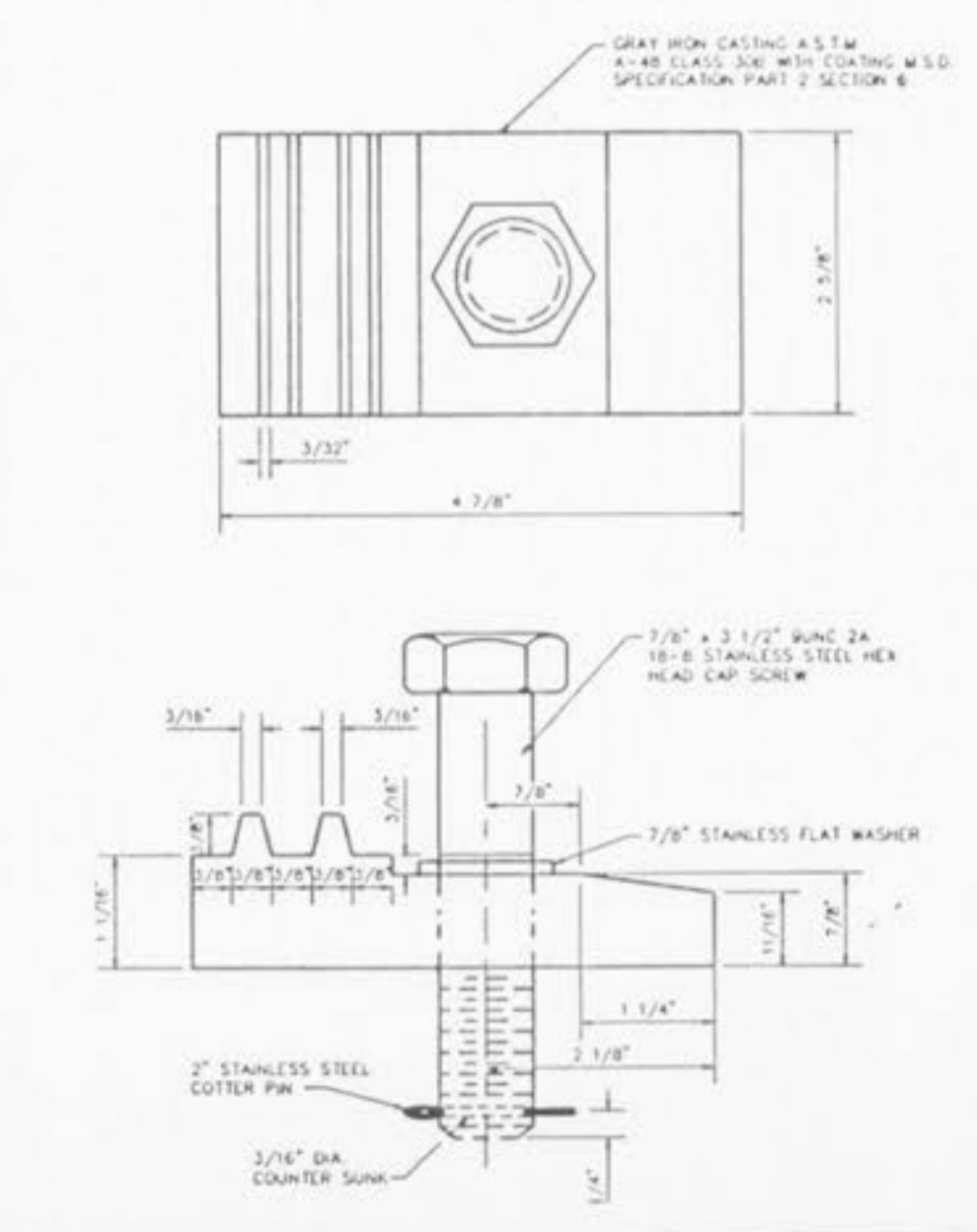
CAST IRON MANHOLE FRAME METROPOLITAN ST. LOUIS SEWER DISTRICT Standard Details of Sewer Construction Dr. D.A.B. Ch. J.C.K. 1992 SHEET 48



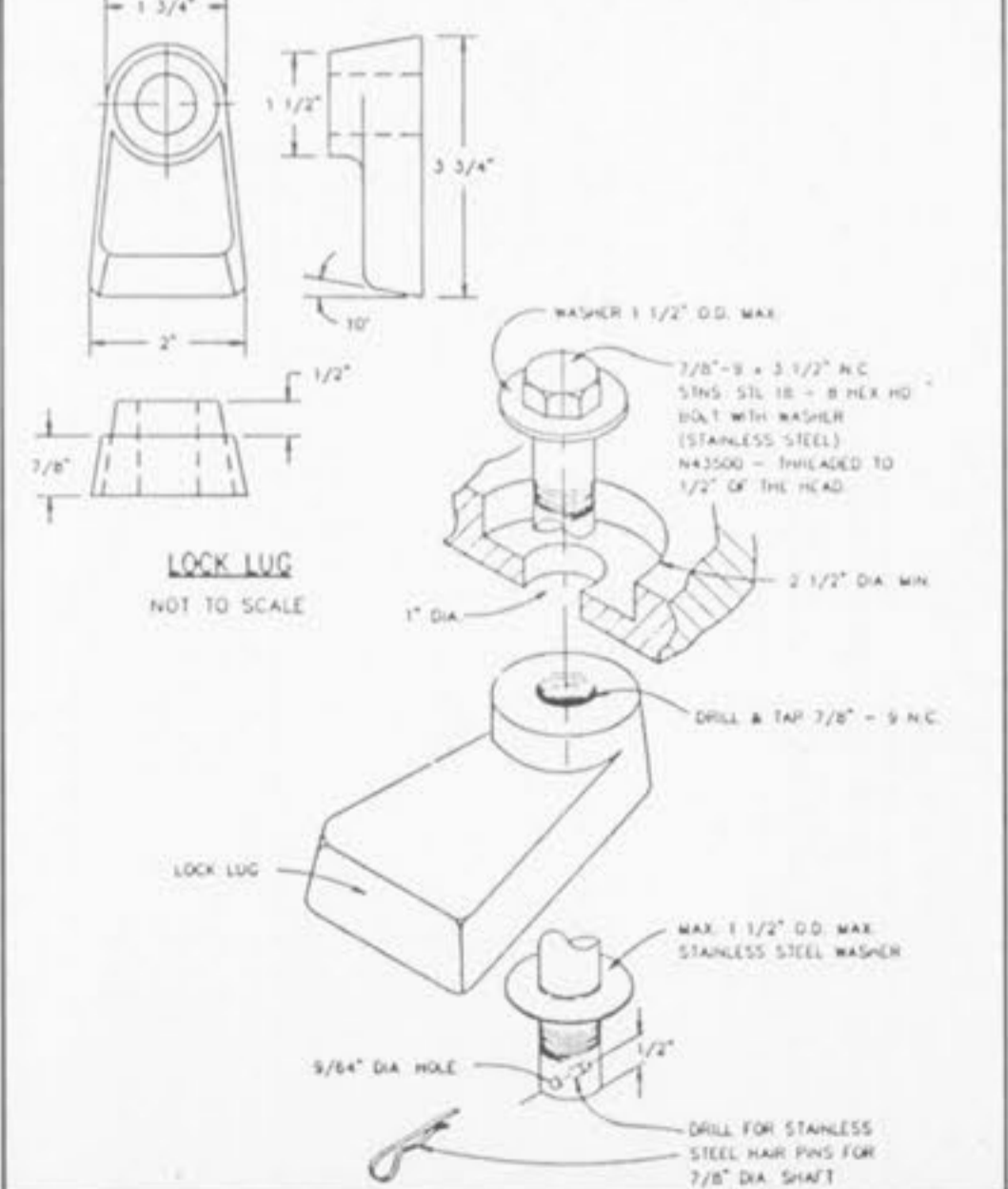
CAST IRON COVERS MANHOLES AND INLETS METROPOLITAN ST. LOUIS SEWER DISTRICT Standard Details of Sewer Construction Dr. R.C.W. Ch. J.C.K. 1992 SHEET 49



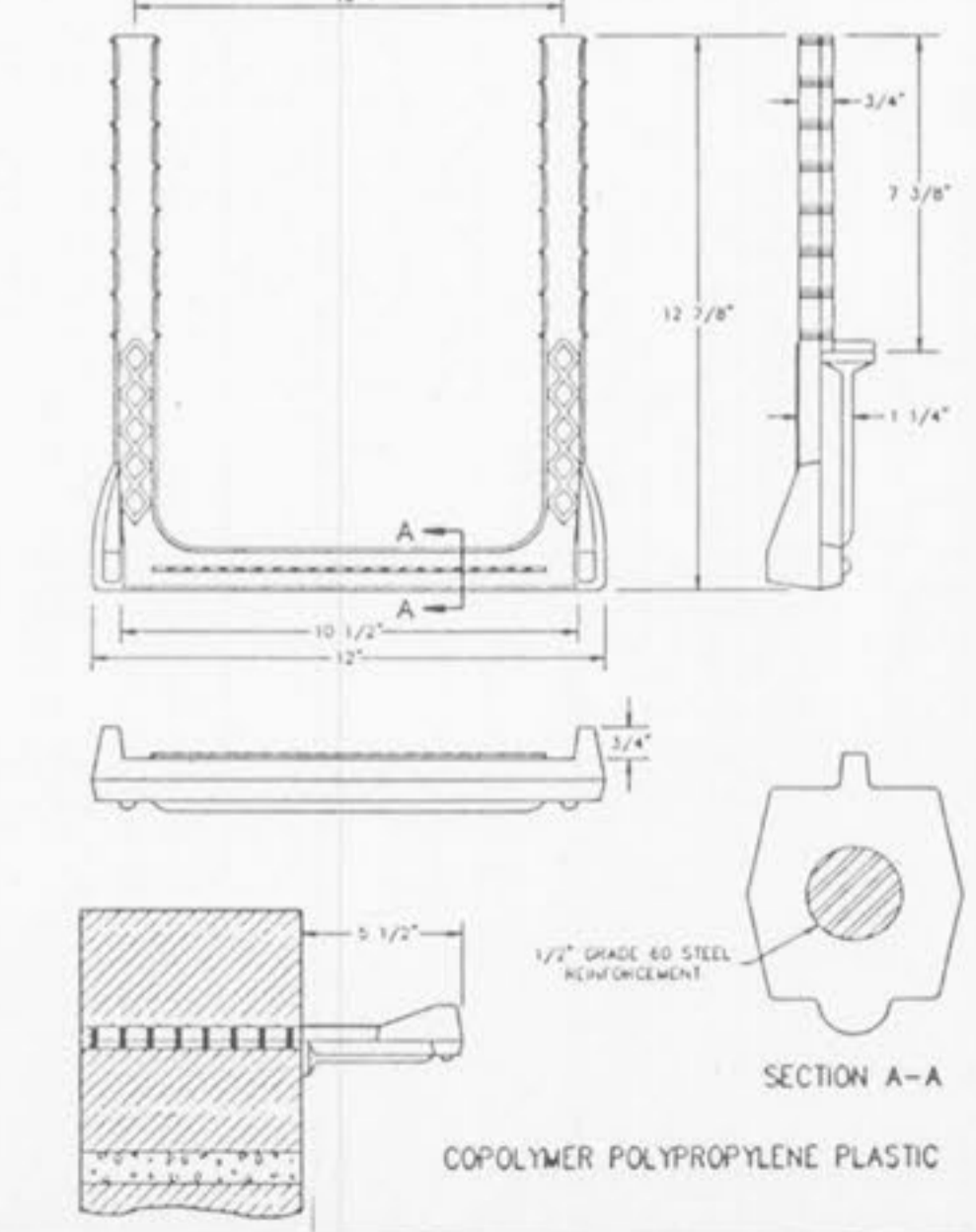
CAST IRON MANHOLE COVERS (LOCK TYPE) METROPOLITAN ST. LOUIS SEWER DISTRICT Standard Details of Sewer Construction Dr. W.S.H. Ch. J.C.K. 1992 SHEET 50



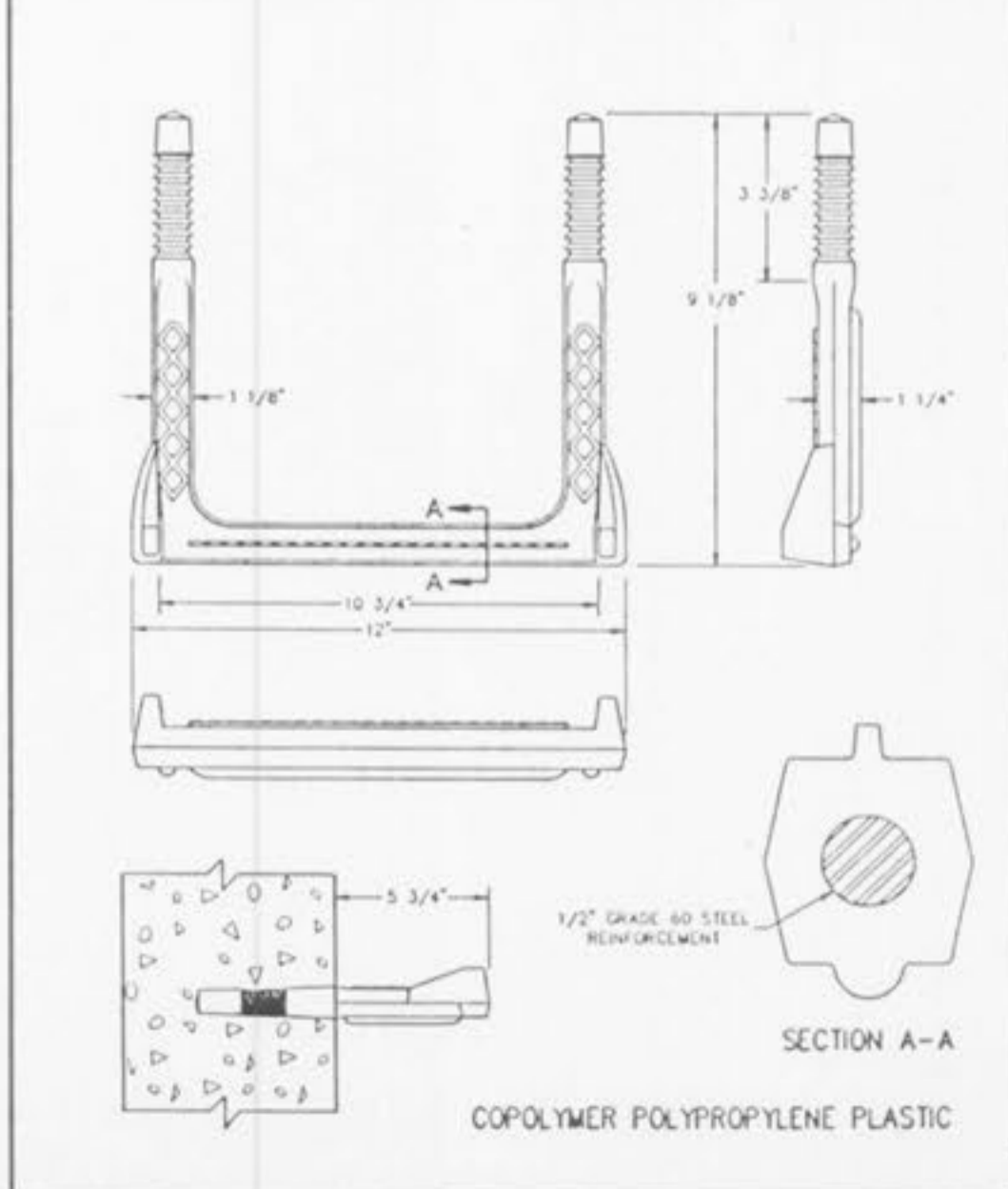
LOCKING DEVICE FOR TYPE 'I' LOCK TYPE MANHOLE COVER METROPOLITAN ST. LOUIS SEWER DISTRICT Standard Details of Sewer Construction Dr. R.C.W. Ch. J.C.K. 1992 SHEET 51



LOCKING DEVICE FOR TYPE 'N' LOCK TYPE MANHOLE COVER METROPOLITAN ST. LOUIS SEWER DISTRICT Standard Details of Sewer Construction Dr. J.L.G. Ch. J.C.K. 1992 SHEET 52



PSI-B MANHOLE STEP INTO JOINT METROPOLITAN ST. LOUIS SEWER DISTRICT Standard Details of Sewer Construction Dr. W.S.H. Ch. J.C.K. 1992 SHEET 53



MANHOLE STEP FOR PRECAST MANHOLE METROPOLITAN ST. LOUIS SEWER DISTRICT Standard Details of Sewer Construction Dr. D.A.B. Ch. J.C.K. 1992 SHEET 54