

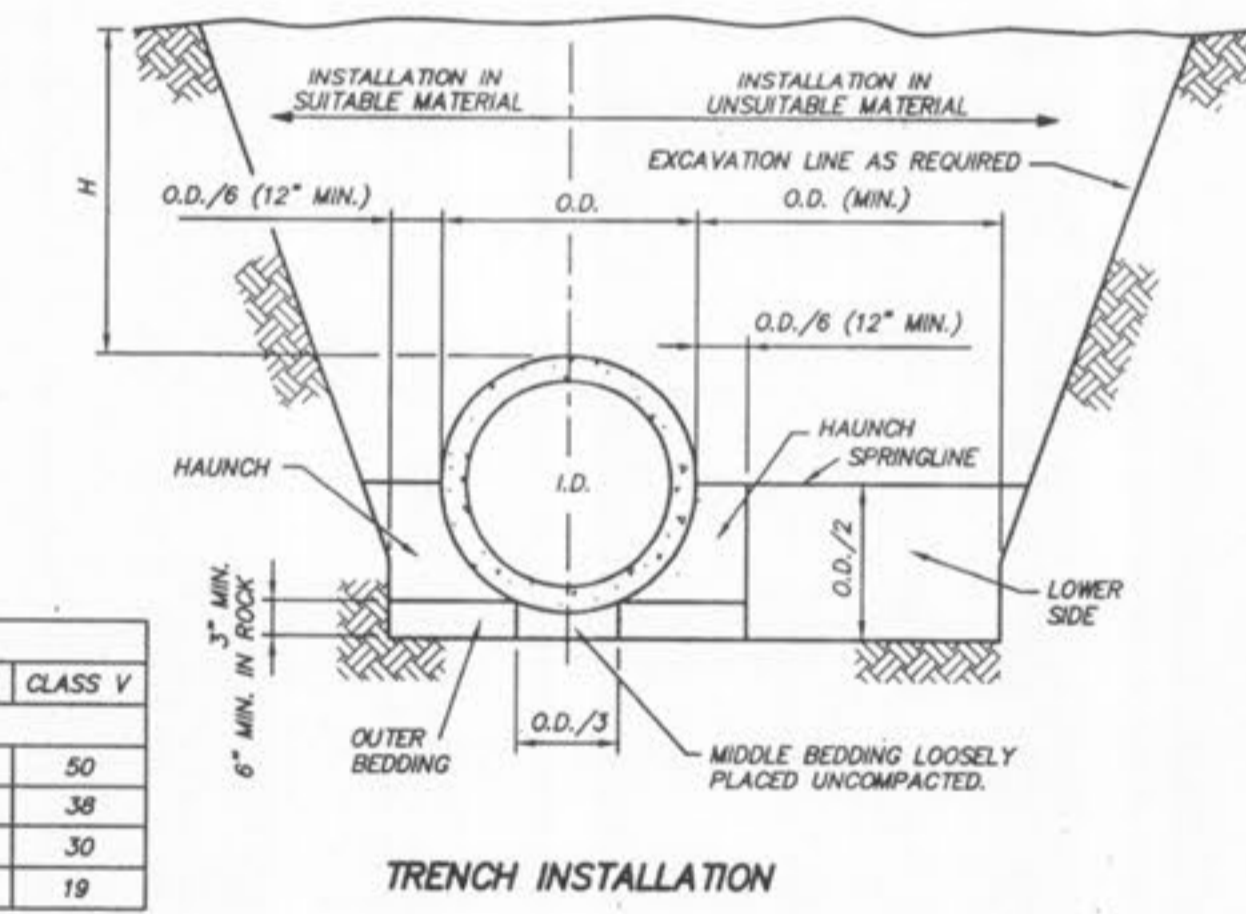
CONSTRUCTION SEQUENCE

1. PLACE BEDDING MATERIAL TO GRADE. DO NOT COMPACT.
2. INSTALL PIPE TO GRADE.
3. COMPACT BEDDING OUTSIDE THE MIDDLE THIRD OF THE PIPE.
4. PLACE AND COMPACT THE HAUNCH AREA UP TO THE SPRINGLINE.
5. COMPLETE BACKFILL ACCORDING TO SPECIFICATIONS.

MAXIMUM HEIGHT OF FILL OVER RCP CULVERTS

INSTALLATION TYPE	CLASS OF PIPE				
	CLASS I	CLASS II	CLASS III	CLASS IV	CLASS V
TYPE 1	14	18	21	33	50
TYPE 2	9	12	16	25	38
TYPE 3	7	10	12	19	30
TYPE 4	5	7	8	13	19

NOTE: IF FILL HEIGHT EXCEEDS 50 FEET, A SPECIAL DESIGN CONCRETE PIPE WILL BE REQUIRED USING TYPE 1 INSTALLATION.



LEGEND
I.D. = NORMAL INSIDE DIAMETER OF PIPE.
O.D. = OUTSIDE DIAMETER OF PIPE.
H = FILL COVER HEIGHT OVER PIPE (FEET)
MIN. = MINIMUM
UNDISTURBED SOIL

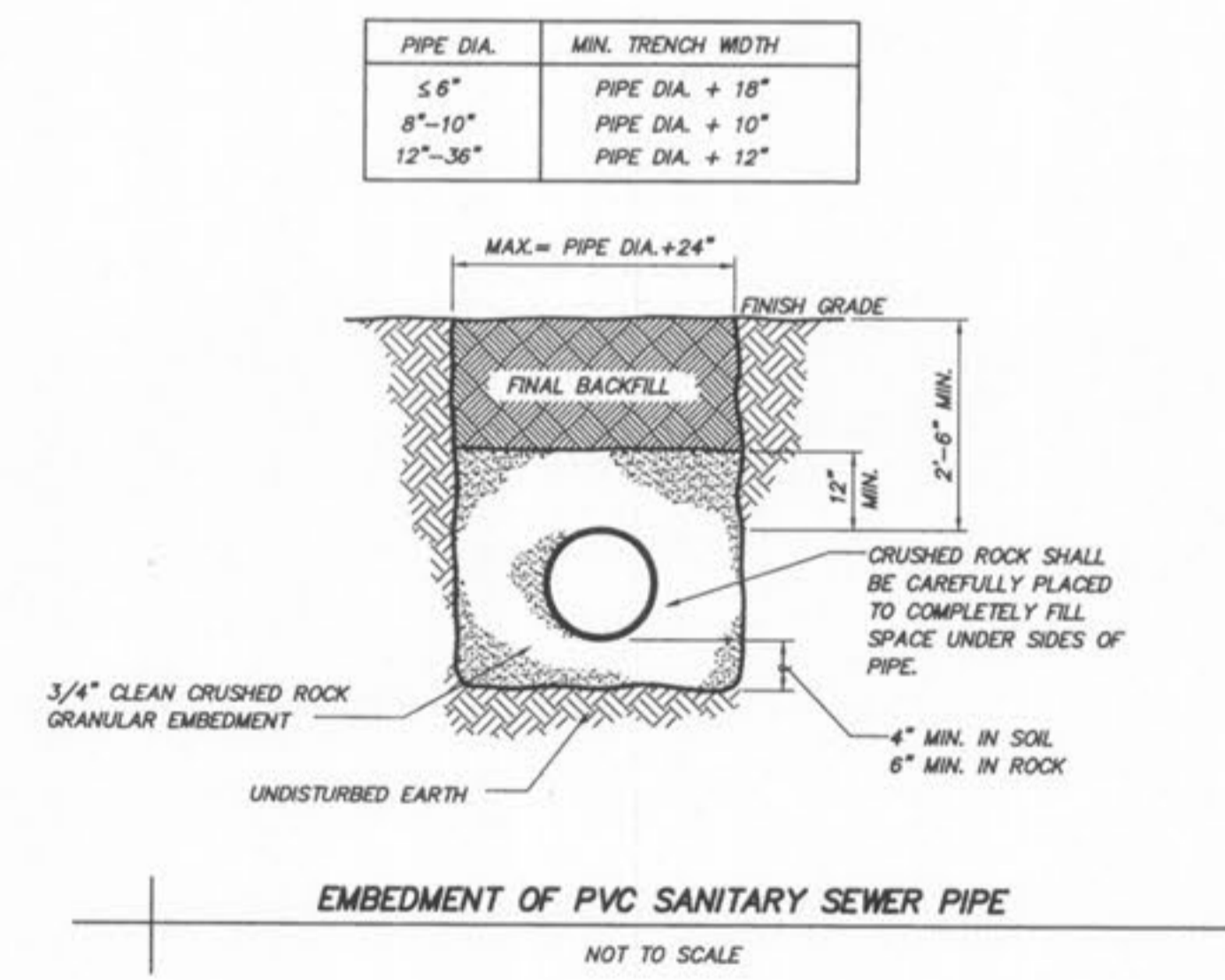
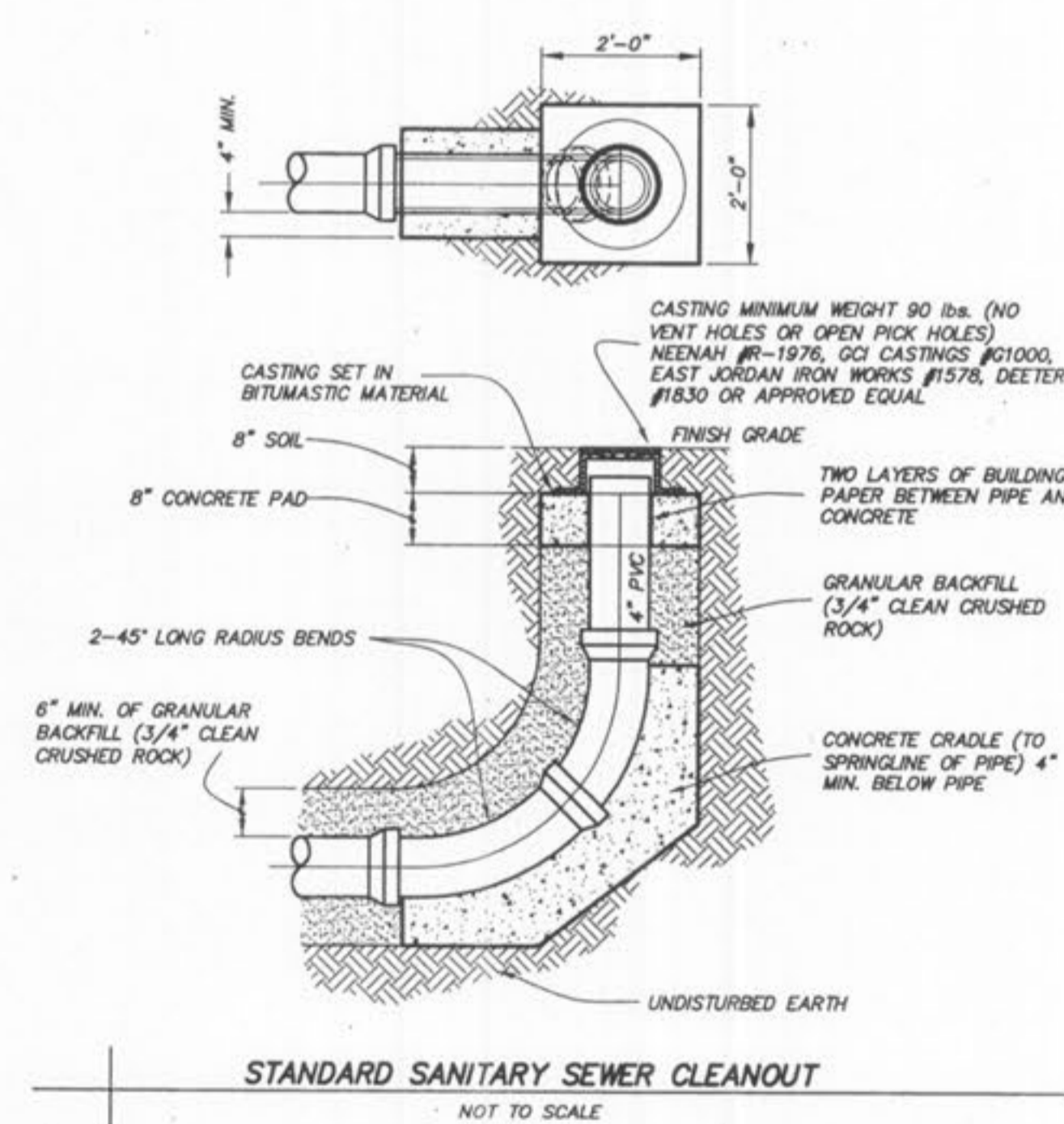
GENERAL NOTES:
MULTIPLE PIPE CULVERTS SHALL BE INSTALLED WITH A MINIMUM CLEARANCE BETWEEN PIPES OF 1/2 O.D. OR 12", WHICHEVER IS GREATER, BUT NOT TO EXCEED 36".
USE MIN. CLASS III PIPE UNLESS NOTED OTHERWISE. CLASS IV & V SHALL BE USED AS REQUIRED BY BACKFILL DEPTH. CLASS I AND CLASS II REINFORCED CONCRETE PIPE SHALL ONLY BE USED FOR SEWERS IN TRENCHES OUTSIDE ROADBEDS, STREET LIMITS, PARKING LOTS AND INFLUENCE OF ANY STRUCTURE.

BEDDING AND COMPACTION REQUIREMENTS

INSTALLATION TYPE	BEDDING THICKNESS	COMPACTION REQUIREMENTS (% MAX. DRY DENSITY PER ASTM D698)					
		HAUNCH AND OUTER BEDDING			LOWER SIDE BEDDING		
		CATEGORY SOIL (A)	CATEGORY SOIL (B)	CATEGORY SOIL (C)	CATEGORY SOIL (A)	CATEGORY SOIL (B)	CATEGORY SOIL (C)
1	O.D./24 MINIMUM, NOT LESS THAN 3". IF ROCK FOUNDATION, USE O.D./12 MINIMUM, NOT LESS THAN 6".	95	N/A	N/A	90	95	100
2	O.D./24 MINIMUM, NOT LESS THAN 3". IF ROCK FOUNDATION, USE O.D./12 MINIMUM, NOT LESS THAN 6".	90	95	N/A	85	90	95
3	O.D./24 MINIMUM, NOT LESS THAN 3". IF ROCK FOUNDATION, USE O.D./12 MINIMUM, NOT LESS THAN 6".	85	90	95	85	90	95
4	O.D./24 MINIMUM, NOT LESS THAN 3". IF ROCK FOUNDATION, USE O.D./12 MINIMUM, NOT LESS THAN 6".	NO COMPACTION REQUIRED	NO COMPACTION REQUIRED	85	NO COMPACTION REQUIRED	NO COMPACTION REQUIRED	85

(A) WELL GRADED MIXTURE OF STONE FRAGMENTS, GRAVEL AND SAND IN ACCORDANCE W/ AASHTO M 145 GROUP A-1 OR A-3
(B) LOW PLASTIC GRANULAR MATERIAL IN ACCORDANCE W/ AASHTO M145 GROUP A-2 OR A-4
(C) SILTY CLAYS IN ACCORDANCE W/ AASHTO M145 GROUP A-5, A-6, OR A-7

EMBEDMENT OF RCP STORM SEWER PIPE
NOT TO SCALE



PLANNING & DEVELOPMENT #1804.08 APPROVED AUGUST 6, 2009
SANITARY SEWER DETAILS

WOODBURY PLACE
ST. CHARLES COUNTY, O'FALLON, MISSOURI

Engineering Surveys & Services
1113 Fay Street
Columbia, Missouri
573-449-2646
Missouri Engineering Corporation #2004005018

Surveyed: [Signature]
Drawn: CH
Checked: TOC/AM

Scale: AS SHOWN
Date: DECEMBER 7, 2009
Job: 11354
Sheet: C119

Revised: 19 JAN 2010

D:\CURRENT\DWG\REVIEWS\EST\1515041 COVER & DETAILS.DWG - 1/19/2010