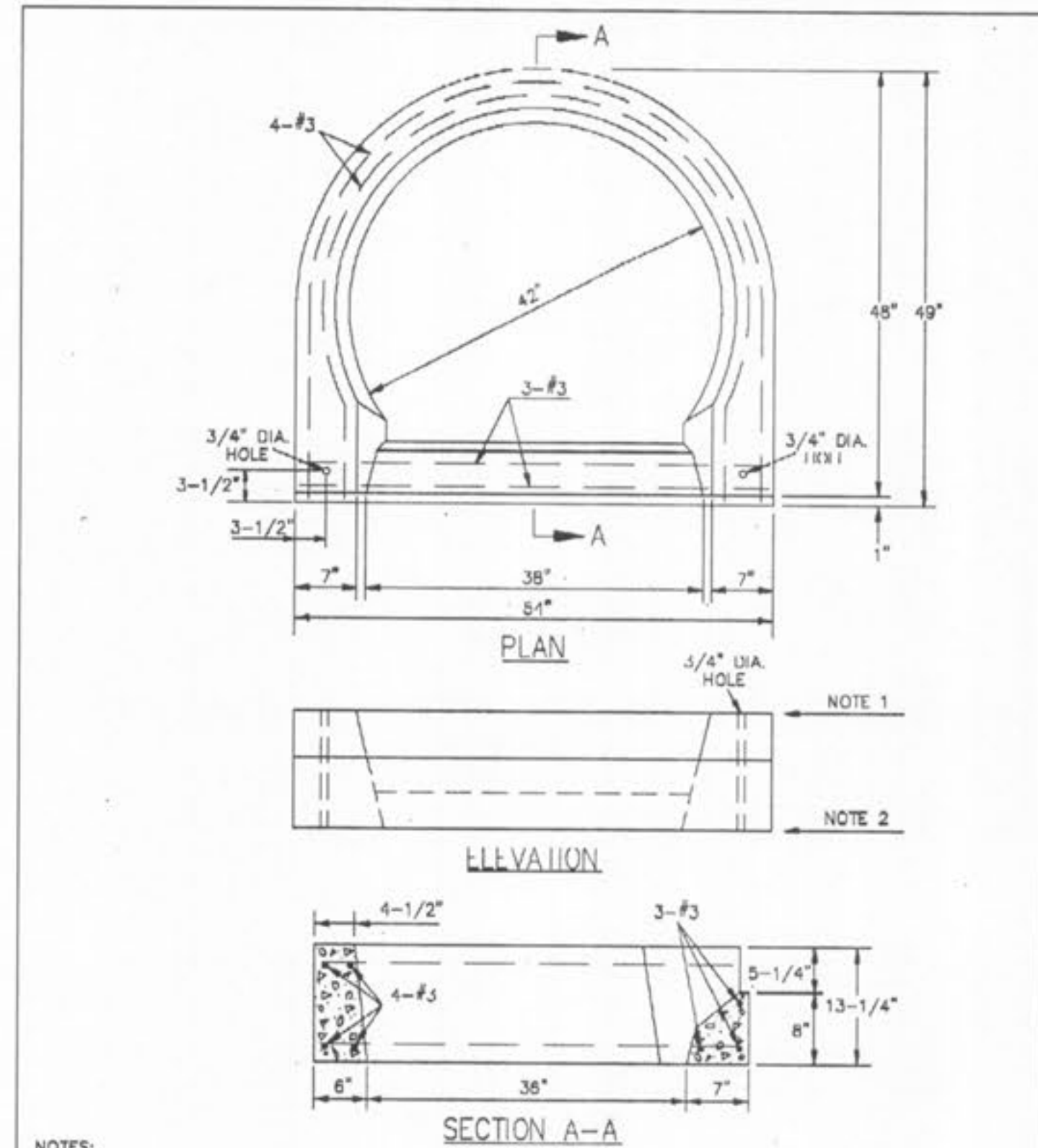
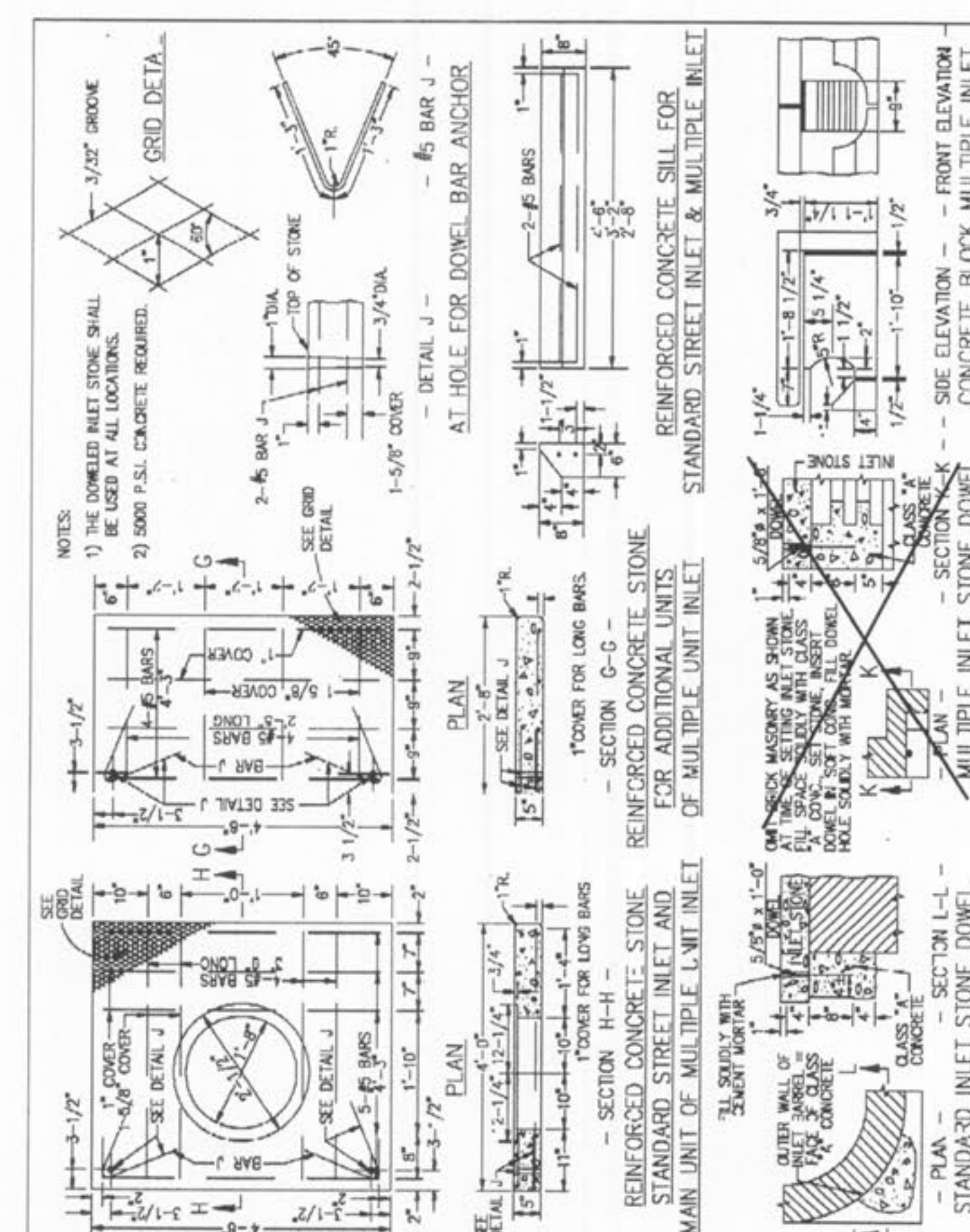


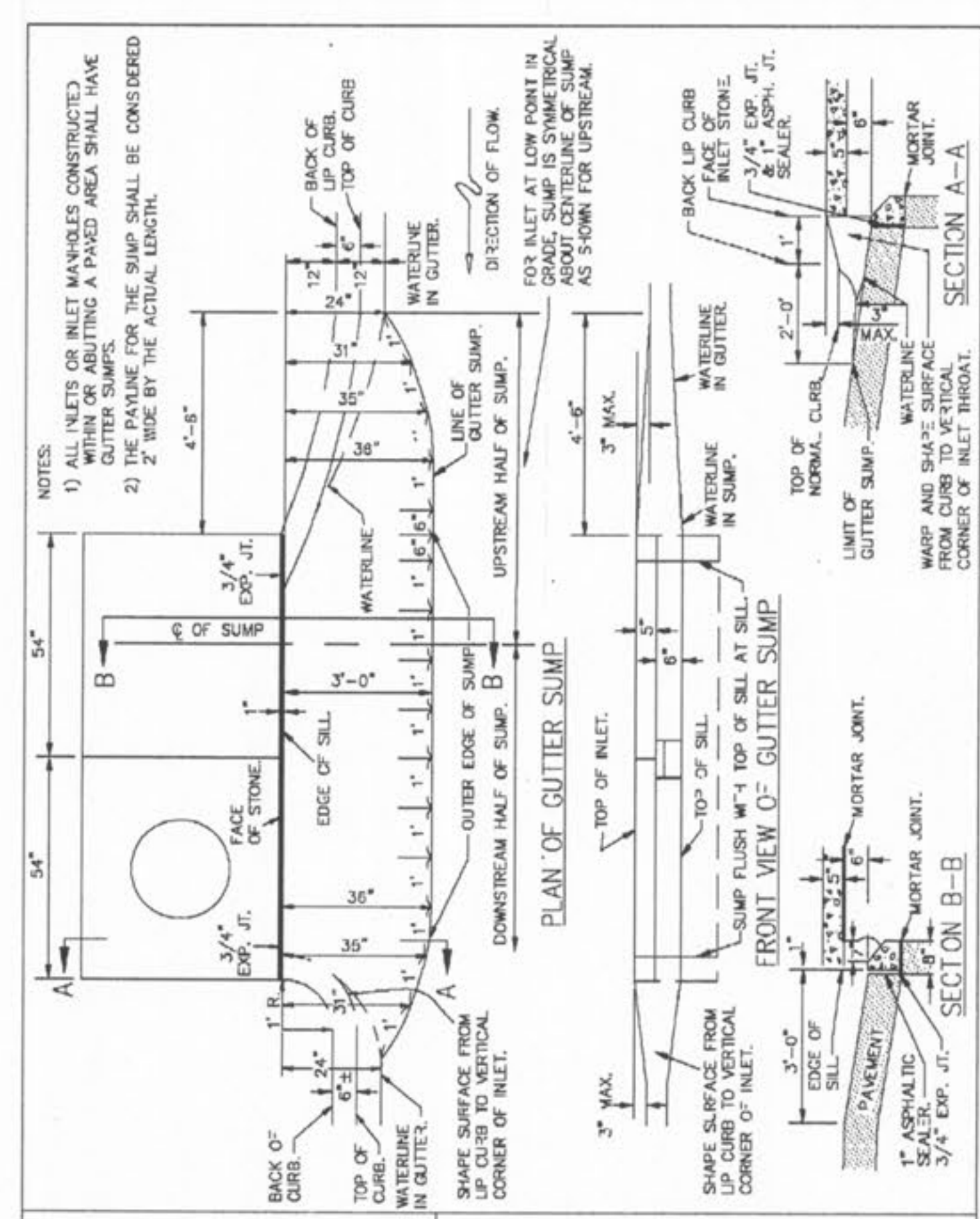
SINGLE STREET INLETS PRECAST CONCRETE	METROPOLITAN ST. LOUIS SEWER DISTRICT Standard Details of Sewer Construction			
	Dr. JLG/SAM Ch. J.C.K.	2009	SHEET 36	



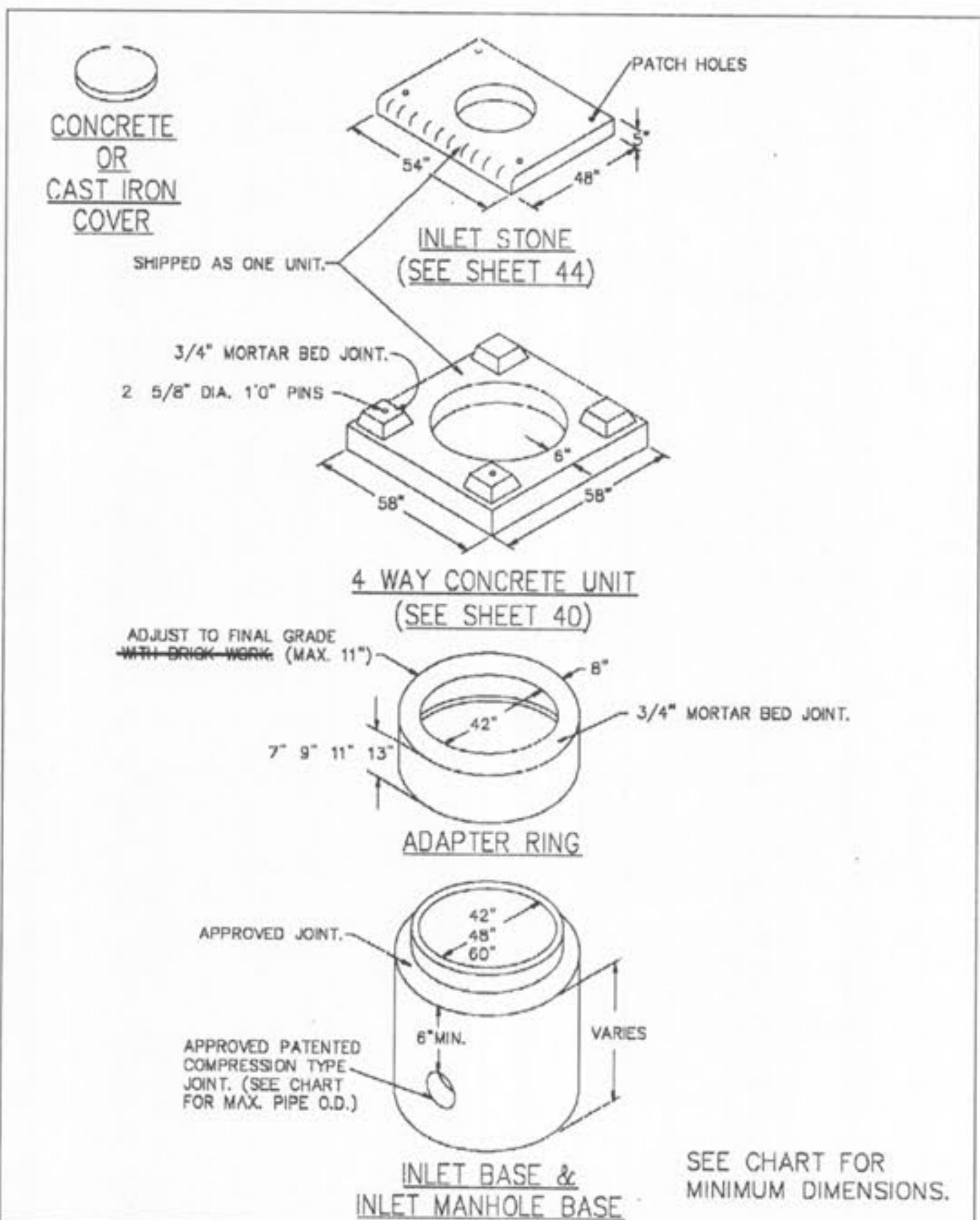
PRECAST CONCRETE UNIT FOR SINGLE STREET INLET	METROPOLITAN ST. LOUIS SEWER DISTRICT Standard Details of Sewer Construction			
	Dr. WSH/SAM Ch. J.C.K.	2009	SHEET 39	



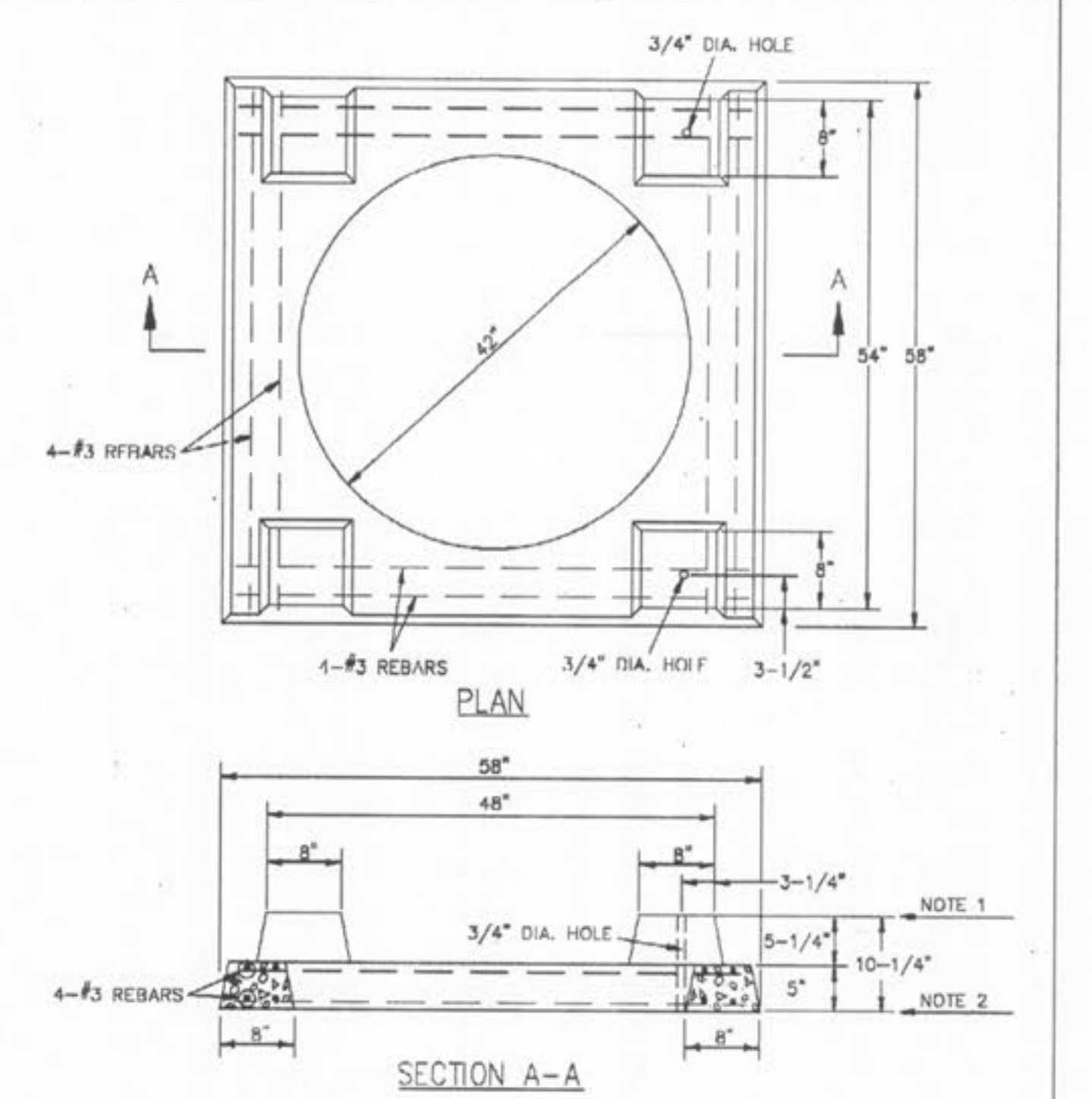
STANDARD - 11 FT STONE, BLOCKS & DESIGN DETAILS	METROPOLITAN ST. LOUIS SEWER DISTRICT Standard Details of Sewer Construction			
	Dr. WSH/SAM Ch. J.C.K.	2009	SHEET 44	



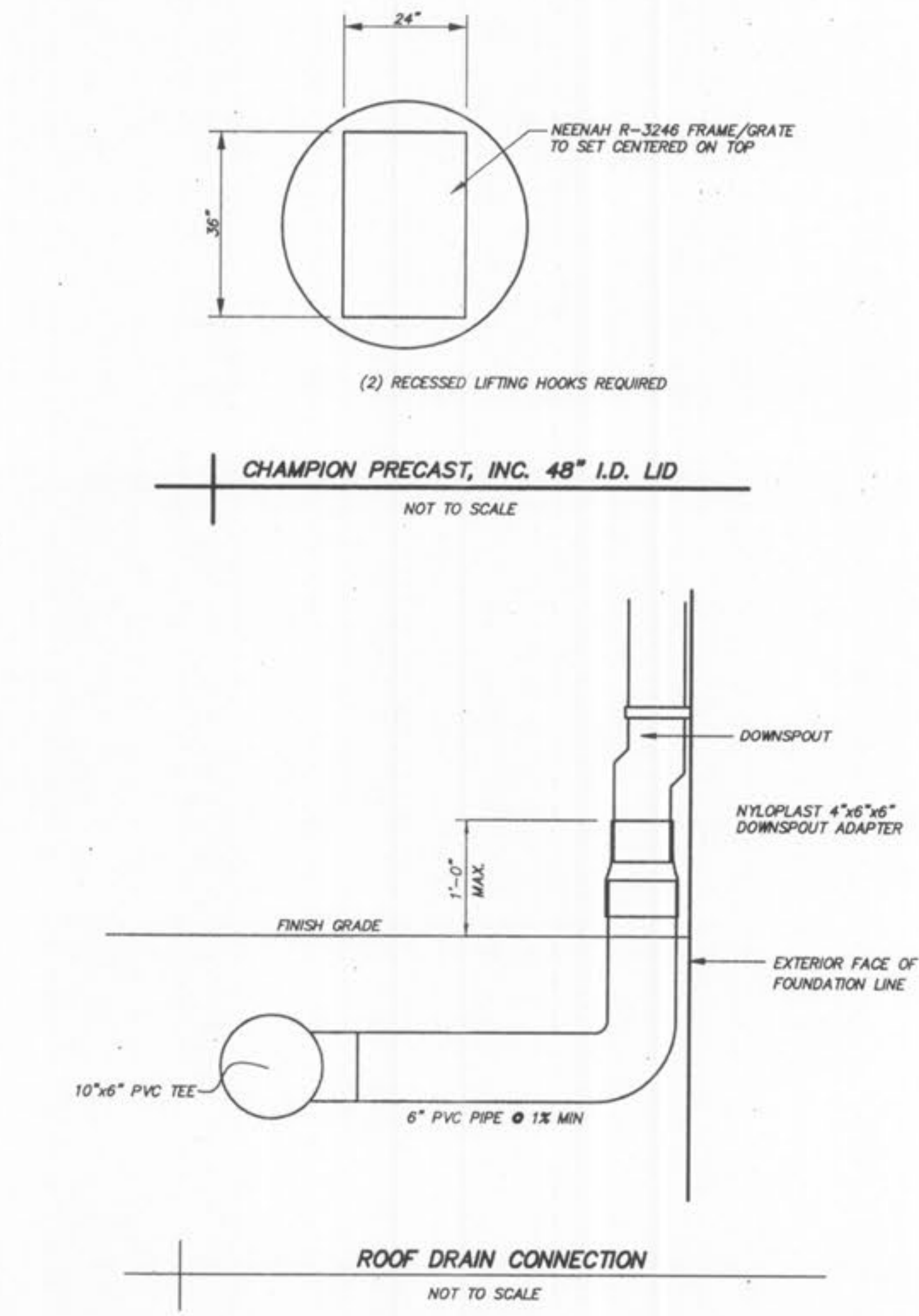
GUTTER SUMP FOR LIP CURB	METROPOLITAN ST. LOUIS SEWER DISTRICT Standard Details of Sewer Construction			
	Dr. RCW/SAM Ch. J.C.K.	2009	SHEET 60	



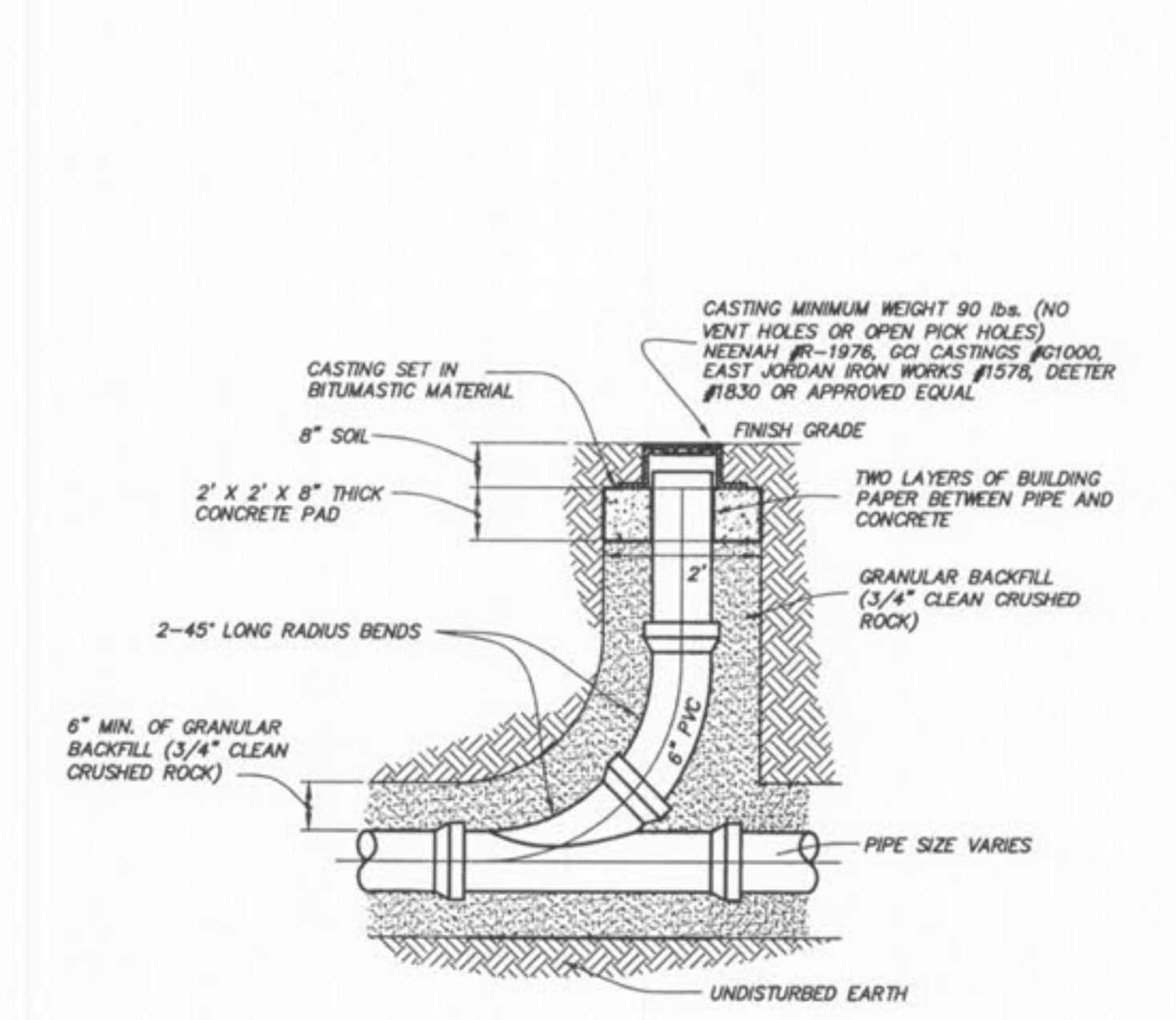
ARCA INLET PRECAST CONCRETE	METROPOLITAN ST. LOUIS SEWER DISTRICT Standard Details of Sewer Construction			
	Dr. JLG/SAM Ch. J.C.K.	2009	SHEET 34	



PRECAST CONCRETE UNIT FOR 4 WAY AREA INLET	METROPOLITAN ST. LOUIS SEWER DISTRICT Standard Details of Sewer Construction			
	Dr. DAB/SAM Ch. J.C.K.	2009	SHEET 40	



REVISION NOTES: 1. NO BRICK ALLOWED IN MANHOLES OR INLETS.	
---------------------------------------------------------------	--



PLANNING & DEVELOPMENT #1804.08 APPROVED AUGUST 6, 2009
STORM SEWER DETAILS

WOODBURY PLACE
ST. CHARLES COUNTY, O'FALLON, MISSOURI

Surveyed: []
Drawn: CH
Checked: TOC/AM

Scale: AS SHOWN
Date: DECEMBER 7, 2009
Job: 11354
Sheet: C120

Revised: 19 JAN 2010

Engineering Surveys & Services
1113 Fay Street
Columbia, Missouri
573 - 449 - 2646
Missouri Engineering Corporation # 2004005018

MATTHEW A. KRIETE
PROFESSIONAL ENGINEER
PE-2007002811

F:\CURRENT\DRAWINGS\SEWER\STLSHA\COVER & DETAILS.DWG 1/19/2010