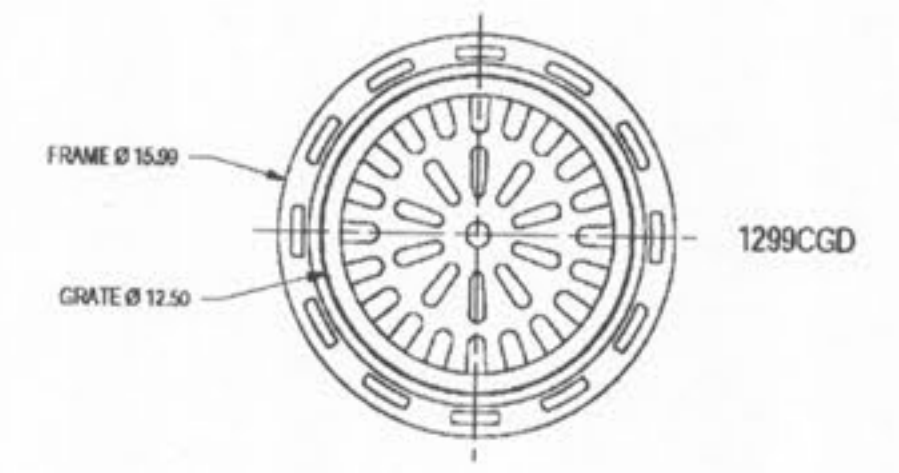


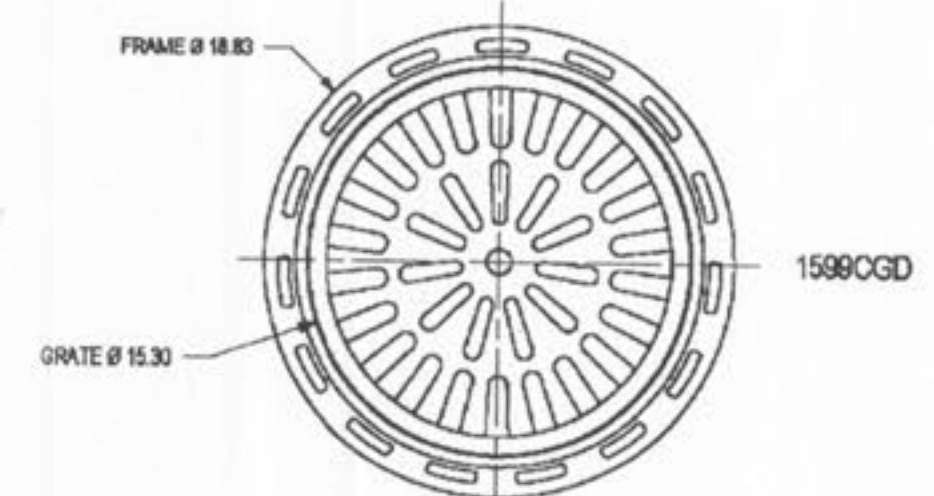
BACKFILL MATERIAL SHALL BE CRUSHED STONE OR GRAVEL MATERIAL MEETING CLASS 100 AS SPECIFIED IN ASTM TESTS. BACKFILL MATERIAL SHALL BE PLACED UNIFORMITY IN 1\"/>

DATE	BY	REVISION
11/15/08	CA	INITIAL DESIGN
11/15/08	CA	PROJECT RELEASE
11/15/08	CA	DESIGN CORRECTIONS



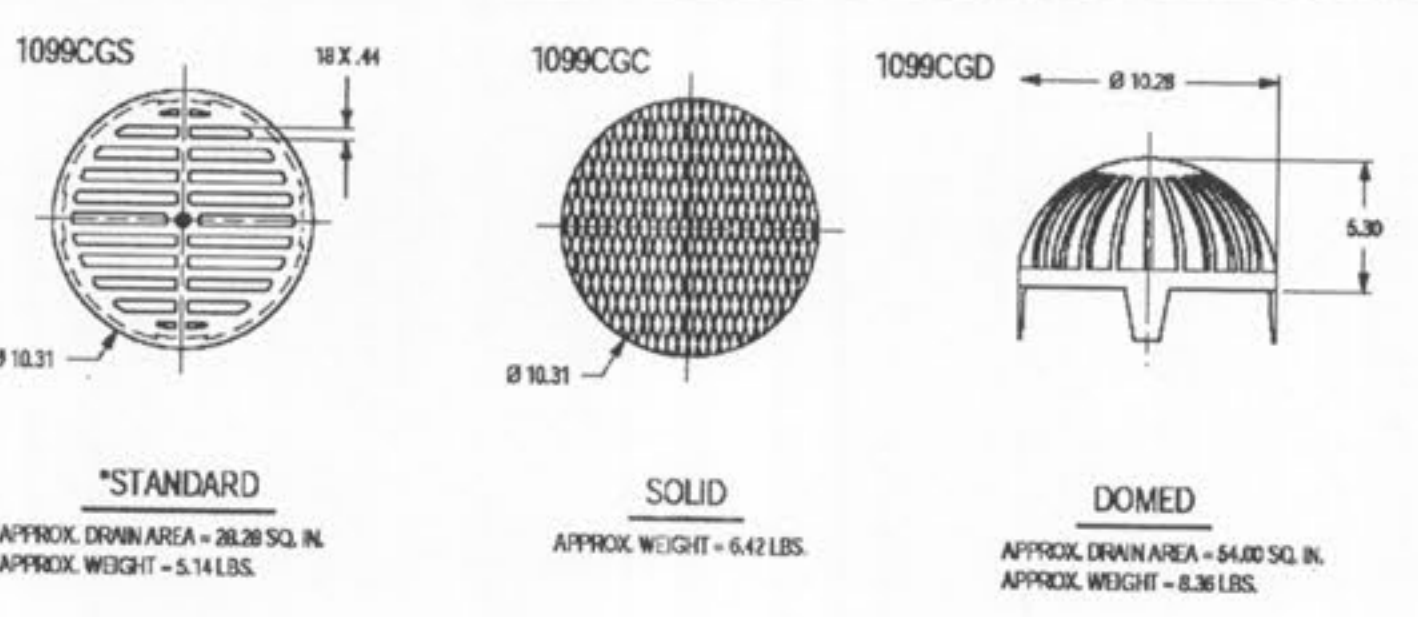
NYLOPLAST 12\"/>

DATE	BY	REVISION
11/15/08	CA	INITIAL DESIGN
11/15/08	CA	PROJECT RELEASE
11/15/08	CA	DESIGN CORRECTIONS



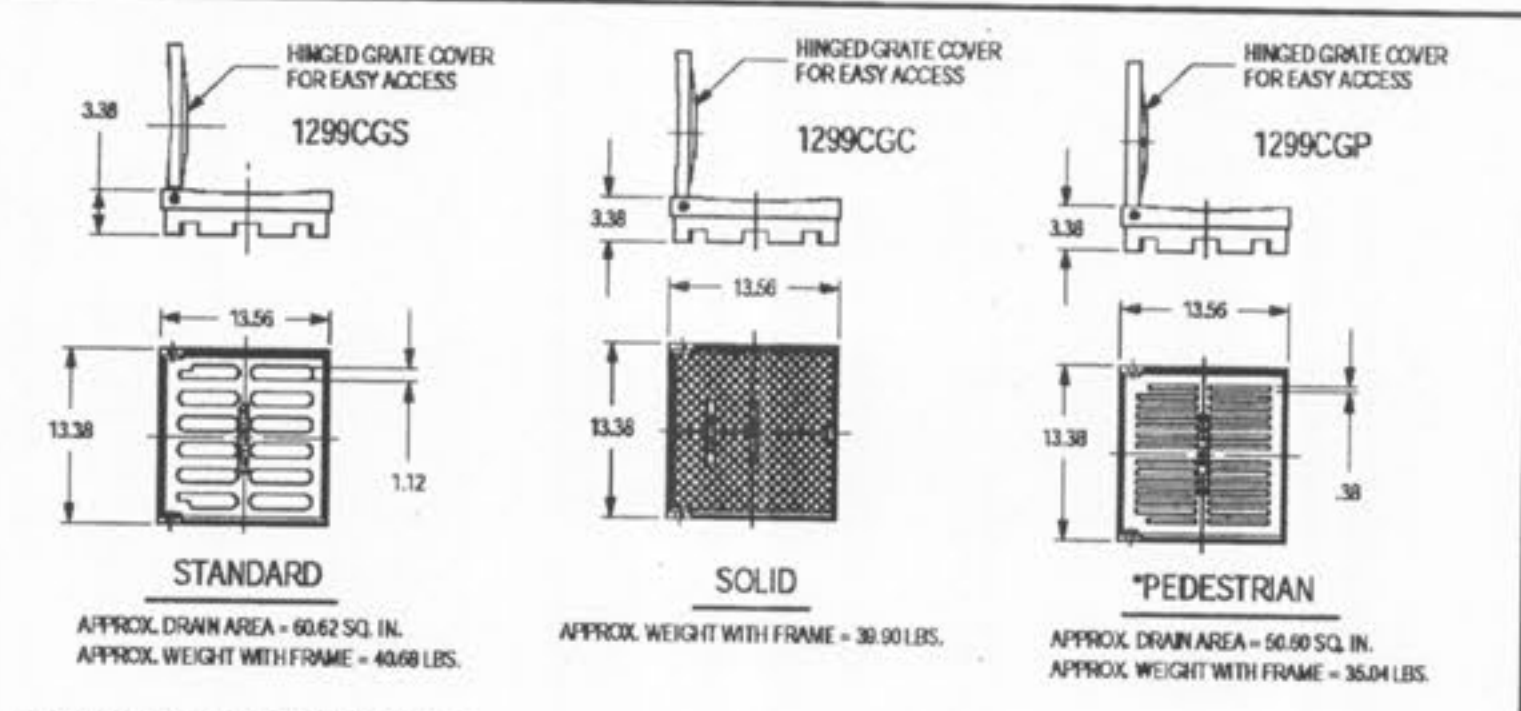
NYLOPLAST 15\"/>

DATE	BY	REVISION
11/15/08	CA	INITIAL DESIGN
11/15/08	CA	PROJECT RELEASE
11/15/08	CA	DESIGN CORRECTIONS



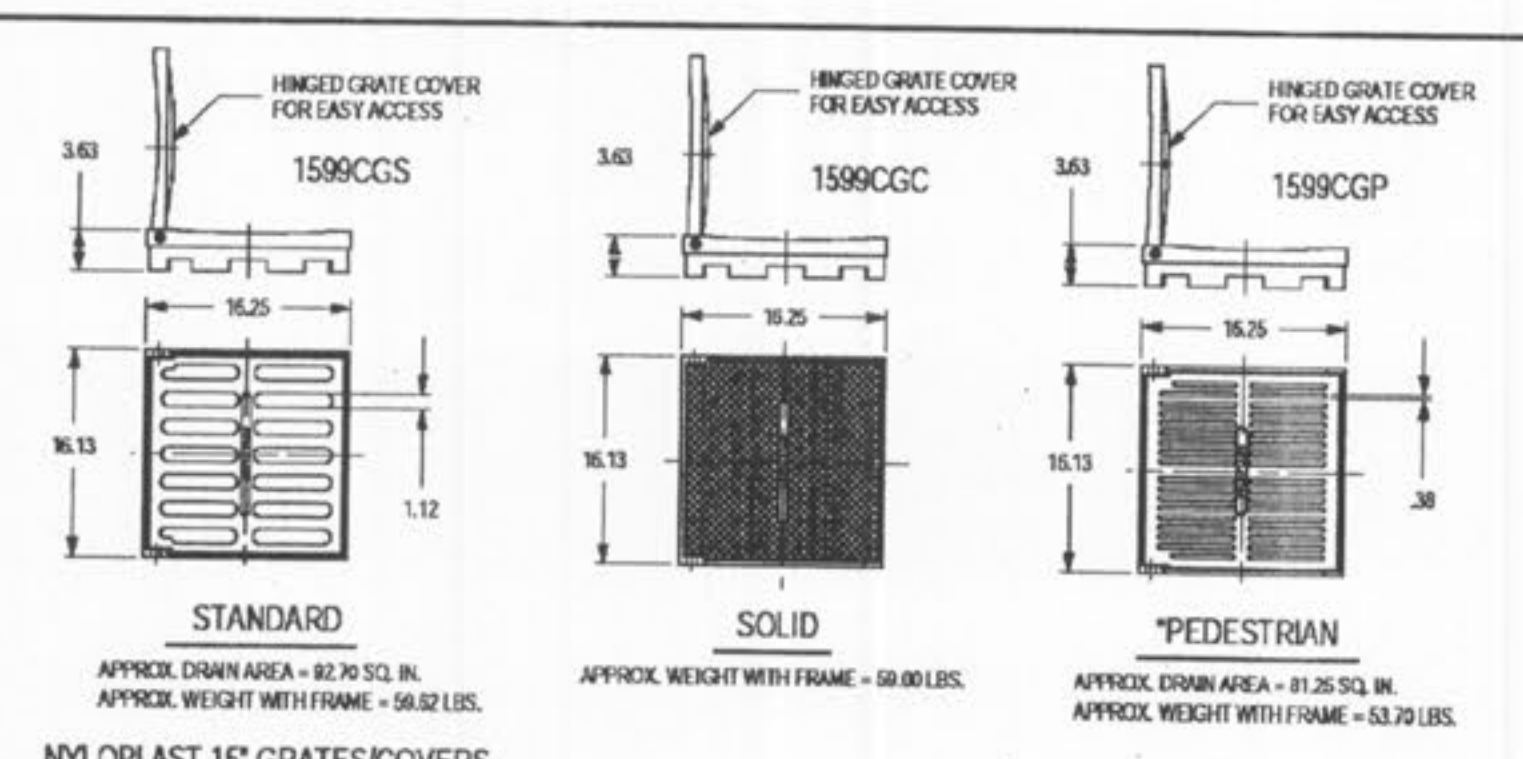
NYLOPLAST 10\"/>

DATE	BY	REVISION
11/15/08	CA	INITIAL DESIGN
11/15/08	CA	PROJECT RELEASE
11/15/08	CA	DESIGN CORRECTIONS



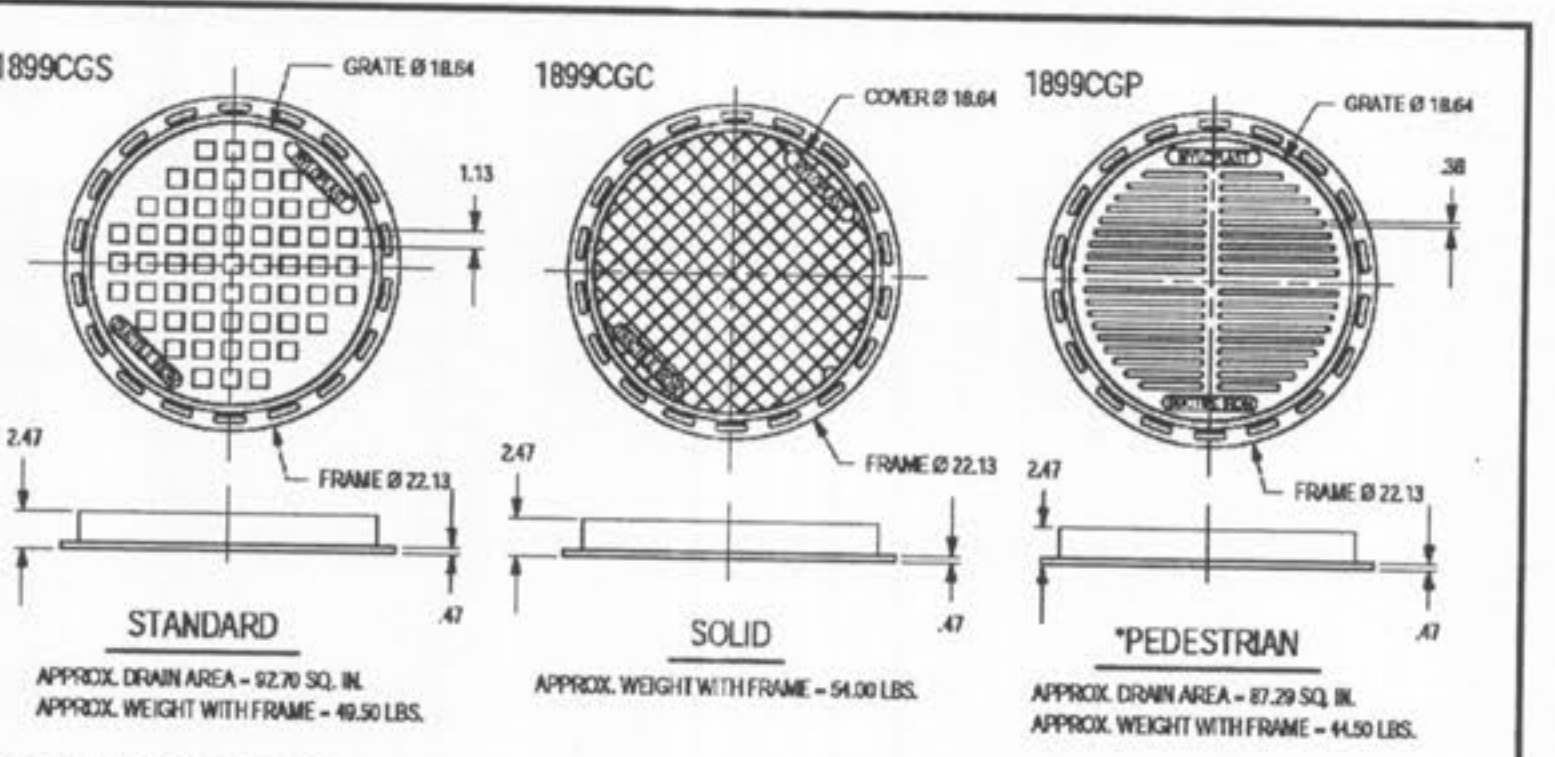
NYLOPLAST 12\"/>

DATE	BY	REVISION
11/15/08	CA	INITIAL DESIGN
11/15/08	CA	PROJECT RELEASE
11/15/08	CA	DESIGN CORRECTIONS



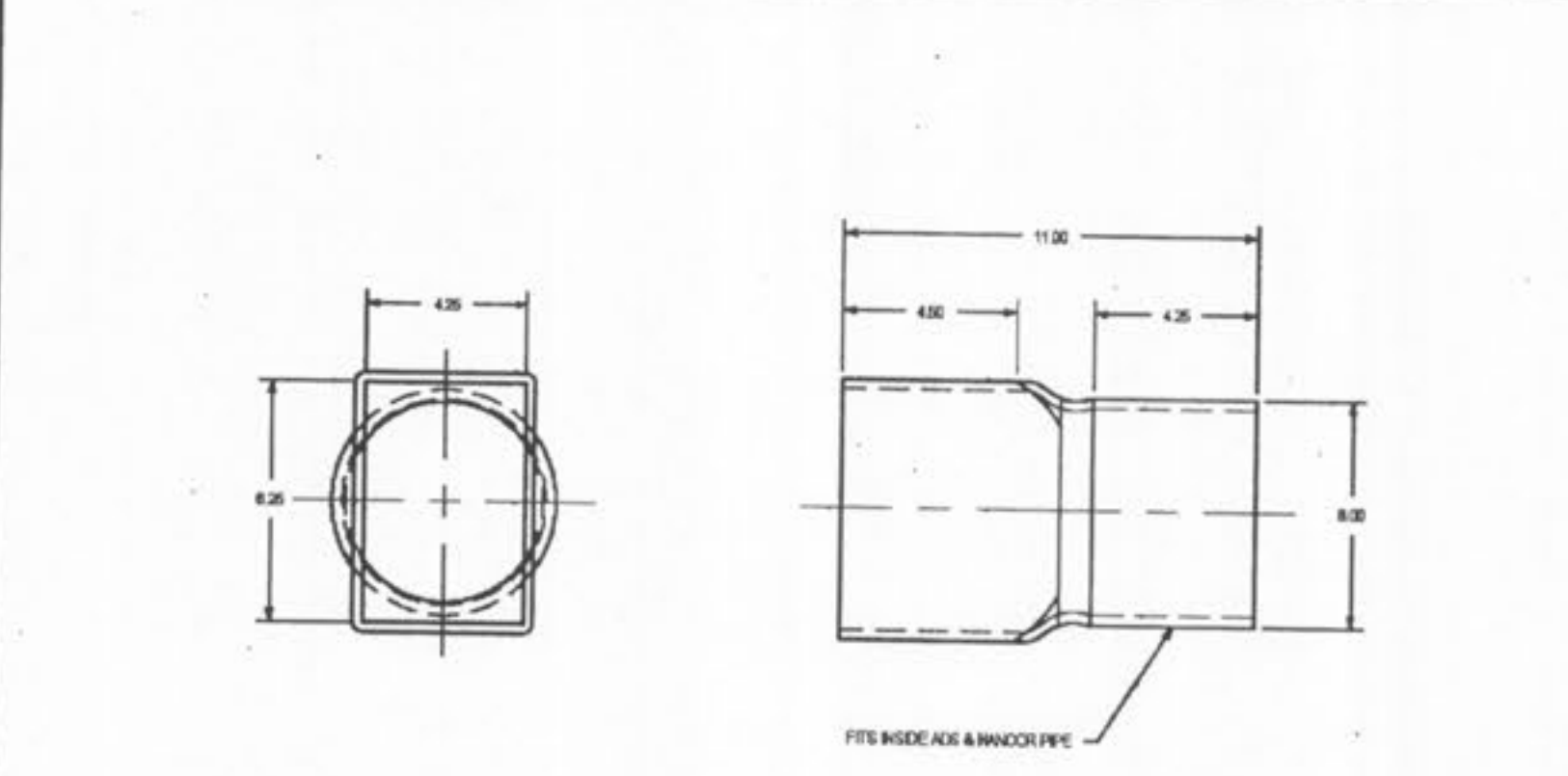
NYLOPLAST 15\"/>

DATE	BY	REVISION
11/15/08	CA	INITIAL DESIGN
11/15/08	CA	PROJECT RELEASE
11/15/08	CA	DESIGN CORRECTIONS



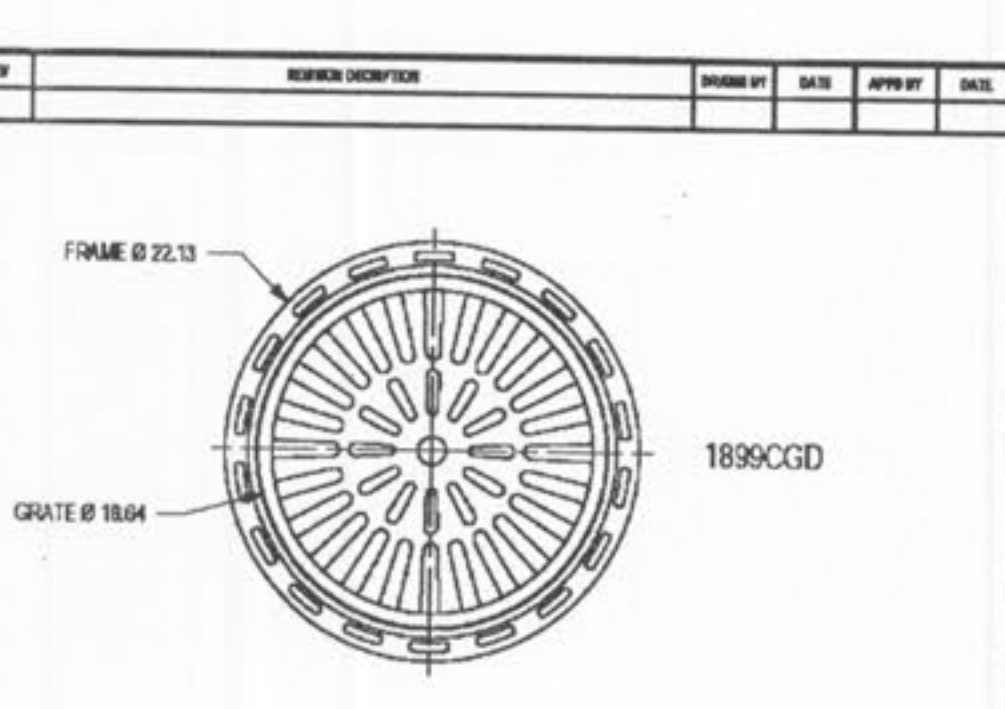
NYLOPLAST 18\"/>

DATE	BY	REVISION
11/15/08	CA	INITIAL DESIGN
11/15/08	CA	PROJECT RELEASE
11/15/08	CA	DESIGN CORRECTIONS



NYLOPLAST 18\"/>

DATE	BY	REVISION
11/15/08	CA	INITIAL DESIGN
11/15/08	CA	PROJECT RELEASE
11/15/08	CA	DESIGN CORRECTIONS



NYLOPLAST 18\"/>

DATE	BY	REVISION
11/15/08	CA	INITIAL DESIGN
11/15/08	CA	PROJECT RELEASE
11/15/08	CA	DESIGN CORRECTIONS

PLANNING & DEVELOPMENT #1804.08 APPROVED AUGUST 6, 2009

STORM SEWER DETAILS
WOODBURY PLACE
 ST. CHARLES COUNTY, OTTAWA, MISSOURI



Surveyed:	CH	Revised:	
Drawn:	CH	Scale:	AS SHOWN
Checked:	TOC/MK	Date:	DECEMBER 7, 2009
Job:	11354	Sheet:	C121

C:\COURT\DRAWINGS\18\"/>