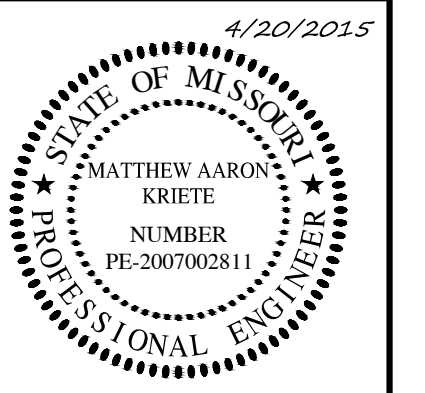


Engineering Surveys and Services
 Consulting Engineers, Scientists, and Land Surveyors
 Analytical and Material Laboratories
 1113 Ely Street, Columbia, Missouri 65201
 573-449-2846 - www.ess-inc.com
 Other Offices:
 Jefferson City, Missouri - Scotchia, Missouri
 Missouri Engineering Corporation # 2004005018

WOODBURY PLACE II
 721 WOODLAWN AVENUE
 OFALLON, ST. CHARLES COUNTY, MISSOURI

THIS DOCUMENT WAS INTENDED TO BE DIGITALLY SIGNED. IF SIGNATURE AND VALIDATION ARE NOT PRESENT THIS MEDIA SHOULD NOT BE CONSIDERED A CERTIFIED DOCUMENT.



MATTHEW A. KRIETE
 PROFESSIONAL ENGINEER
 PE-2007002811

Date
MAY 23, 2014

Revised
 ① JULY 18, 2014
 ② AUGUST 13, 2014
 ③ APRIL 20, 2015

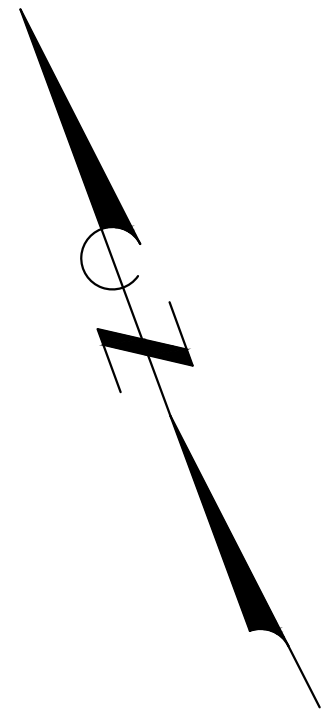
Design: TOC Drawn: BR

GRADING & DRAINAGE PLAN

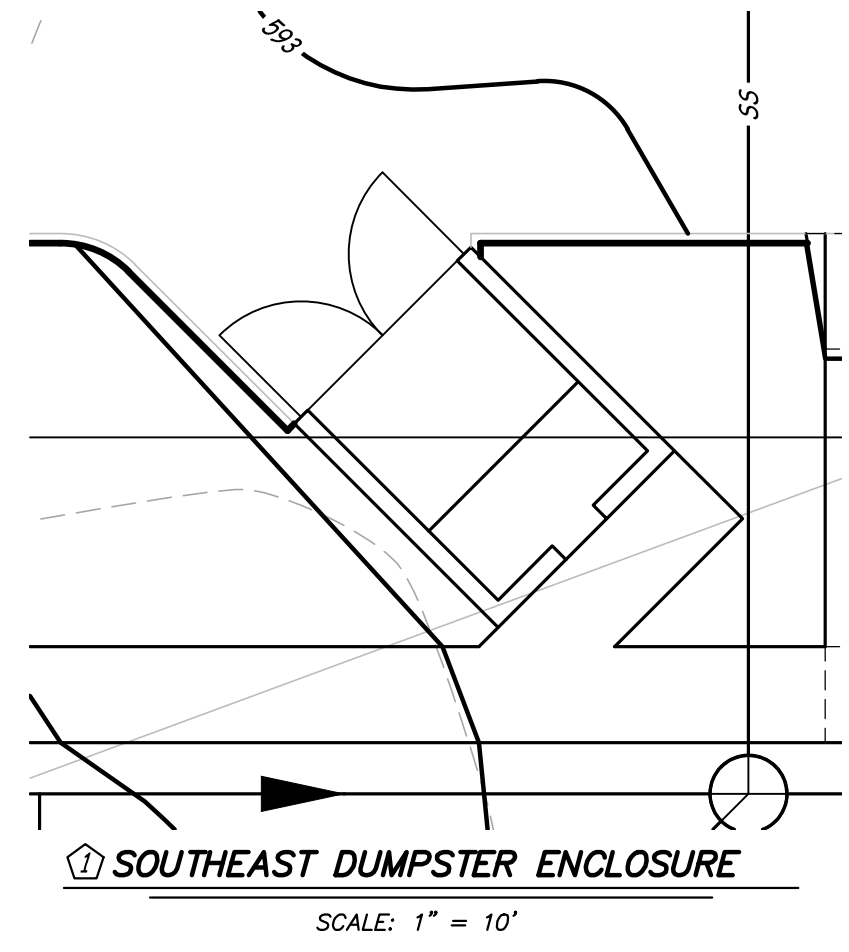
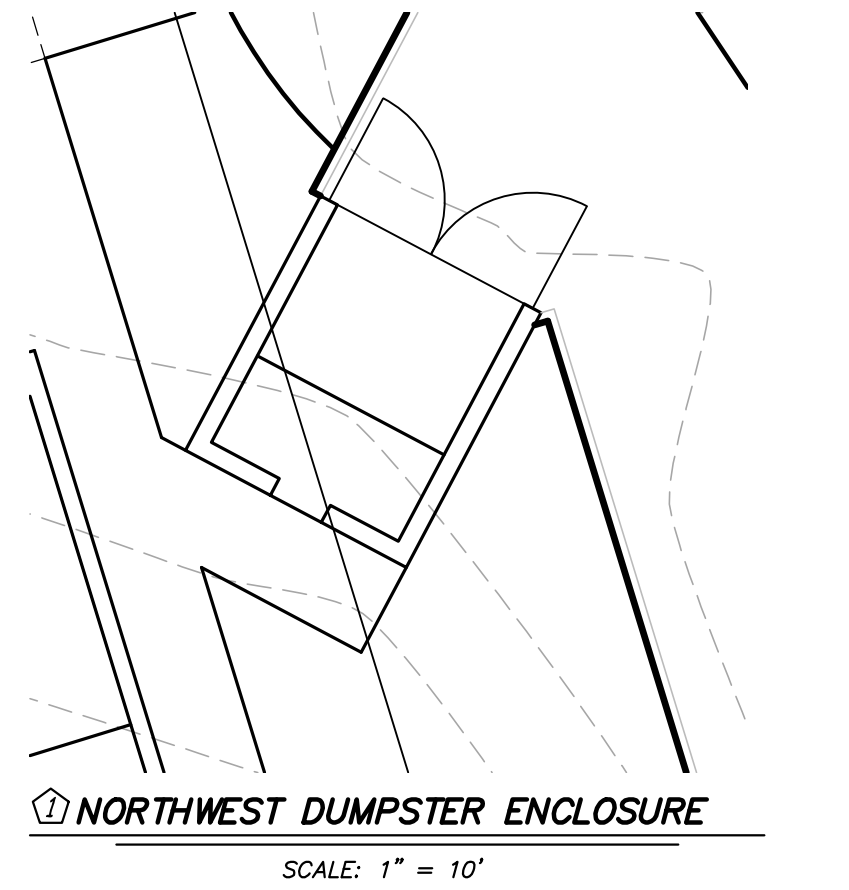
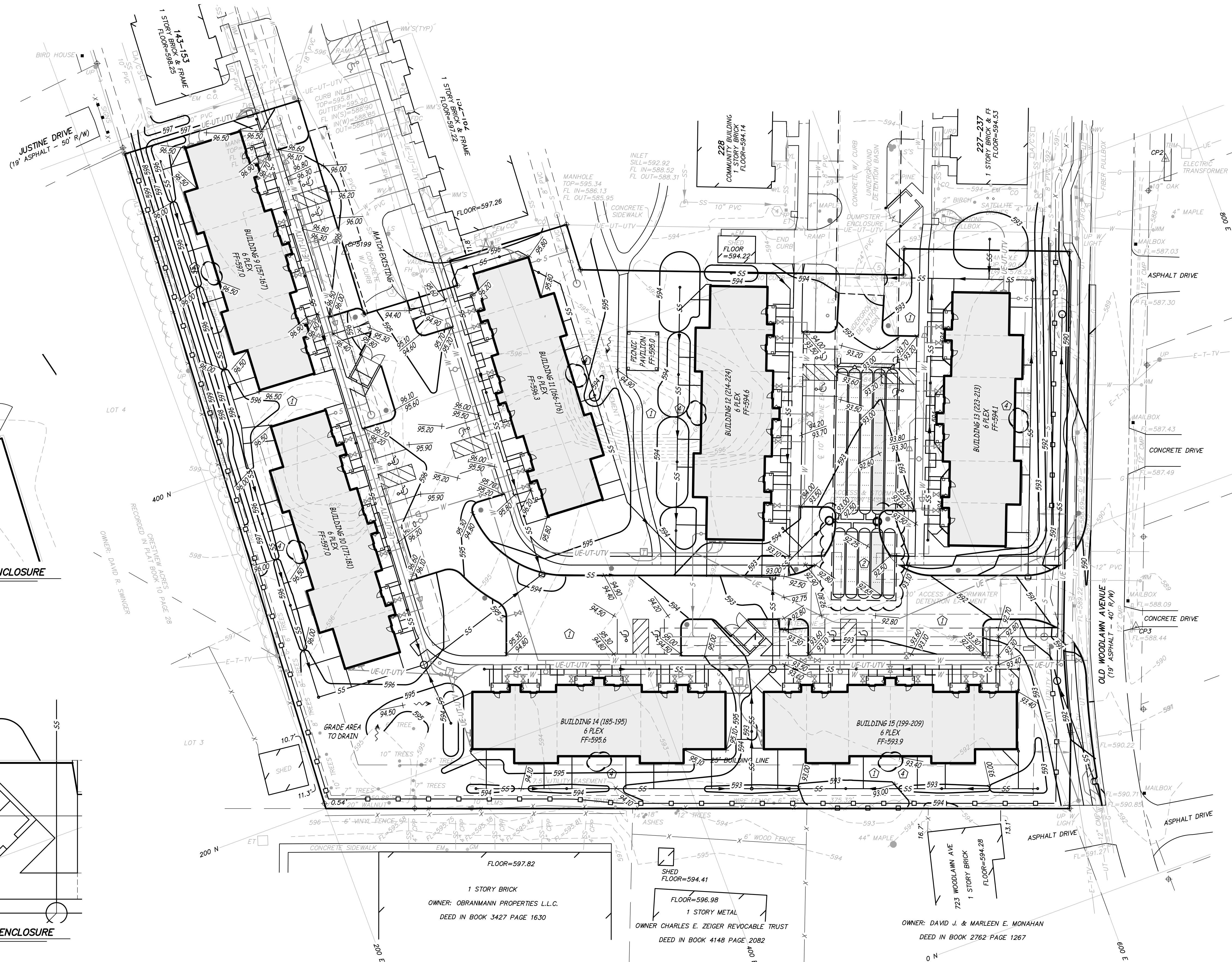
Sheet

C3.01

ES&S PROJECT NO. 12660



0 30 60
 SCALE: 1" = 30'



1 STORY BRICK
 FLOOR=597.82
 OWNER: OBRANMANN PROPERTIES L.L.C.
 DEED IN BOOK 3427 PAGE 1630

SHED
 FLOOR=594.41
 1 STORY METAL
 FLOOR=596.98
 OWNER CHARLES E. ZEIGER REVOCABLE TRUST
 DEED IN BOOK 4148 PAGE 2082

723 WOODLAWN AVE
 1 STORY BRICK
 FLOOR=594.28
 OWNER: DAVID J. & MARLEEN E. MONAHAN
 DEED IN BOOK 2762 PAGE 1267

NOTE: ① REVISED GRADES & ADDED SPOT ELEVATIONS TO PLAN.