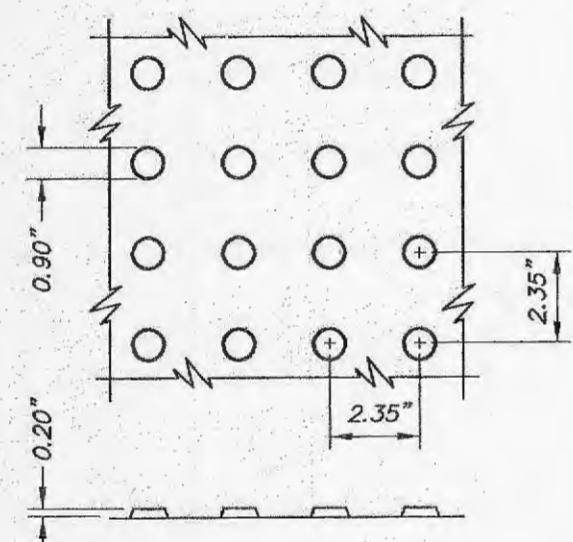


NOTES:

- RAMP SHALL BE 4" THICK 4000 PSI @ 28 DAYS P.C.C.
- EXPANSION JOINT SHALL BE 1/2" PREFORMED CORK OR BITUMINOUS EXPANSION JOINT MATERIAL.
- ALL SLOPES ARE MEASURED FROM THE HORIZONTAL.
- REPLACE STANDARD CURB SECTION WITH SIDEWALK RAMP CURB SECTION - SEE SEPARATE DETAIL.
- RAMP LENGTH IS DEPENDENT ON 1:12 MAX SLOPE. USE FLATTER WHEN POSSIBLE.
- LANDING AREA SHALL BE 5'-0" MIN WIDTH, CROSS SLOPE OF LANDING SHALL NOT EXCEED 1/4" PER FT.
- FLARES ARE REQUIRED AT RAMPS TO KEEP GRASS PARKWAY SLOPES IN CONFORMANCE WITH THE TYPICAL CROSS SECTION.
- CURB TRANSITION LENGTH IS DEPENDENT ON FLARE SLOPE.
- MAXIMUM RAMP CROSS SLOPE IS 1/4" PER FT IN ALL DIRECTIONS.
- SEE SEPARATE DETAIL FOR MORE INFORMATION ON DETECTABLE WARNINGS.

PERPENDICULAR CURB RAMP

NOT TO SCALE



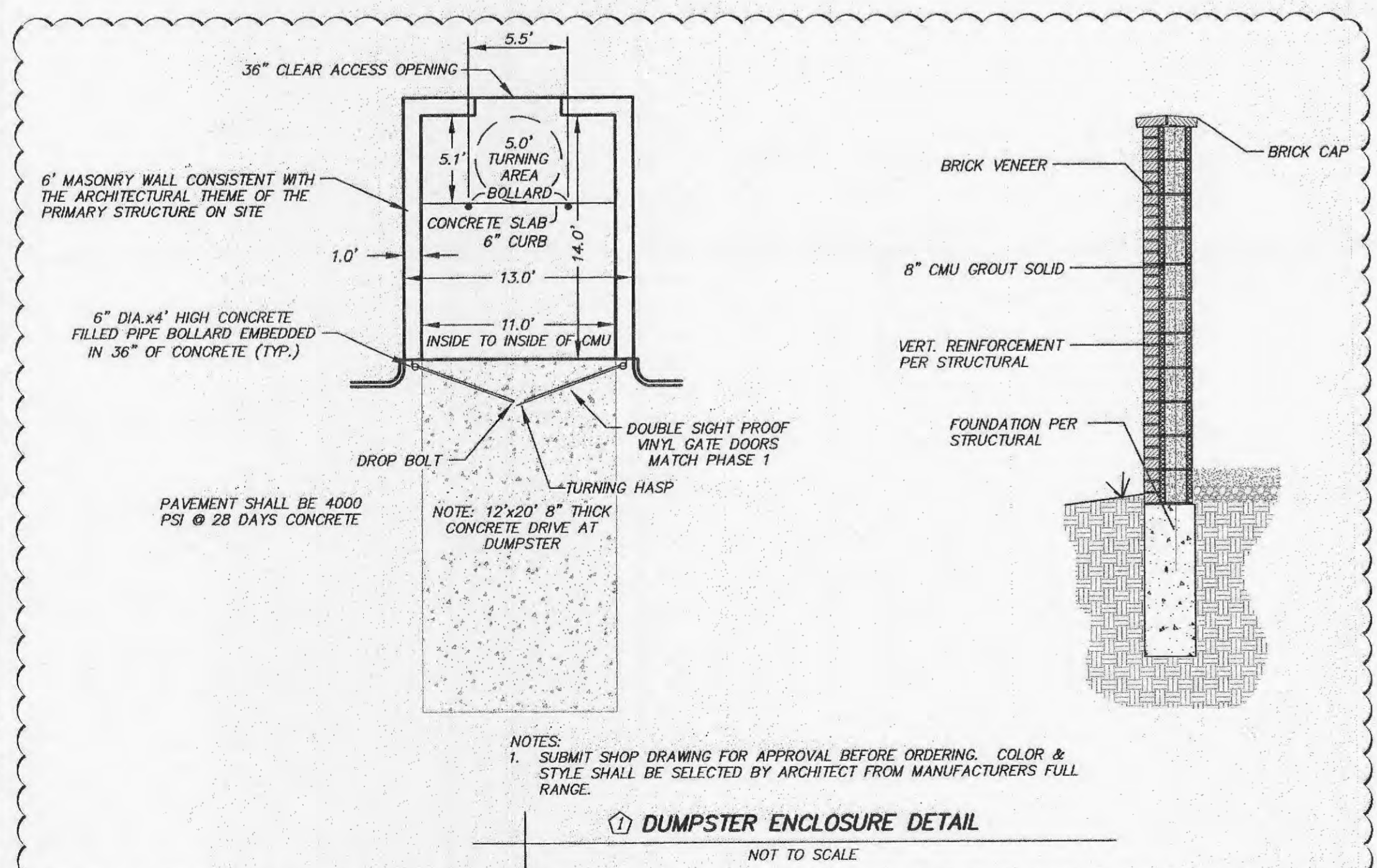
TRUNCATED DOME PATTERN

NOTES:

- DETECTABLE WARNINGS SHALL BE RAISED TRUNCATED DOMES PER CURRENT ADA STANDARDS.
- DETECTABLE WARNINGS SHALL EXTEND A MINIMUM 24" IN THE DIRECTION OF TRAVEL AND THE FULL WIDTH OF THE RAMP OR LANDING.
- DETECTABLE WARNINGS SHALL CONTRAST VISUALLY WITH ADJACENT WALKWAY SURFACES, EITHER LIGHT-ON-DARK OR DARK-ON-LIGHT.
- SEE SEPARATE CURB RAMP DETAILS FOR EXACT INSTALLATION LOCATIONS.
- DETECTABLE WARNINGS SHALL BE A CAST IN PLACE SYSTEM MANUFACTURED BY EITHER ADA SOLUTIONS, INC. (BRICK RED COLOR), ARMOR-TILE TACTILE SYSTEMS (COLONIAL RED COLOR), OR APPROVED EQUAL. INSTALL PER MANUFACTURER'S INSTRUCTIONS.

DETECTABLE WARNINGS FOR CURB RAMPS

NOT TO SCALE

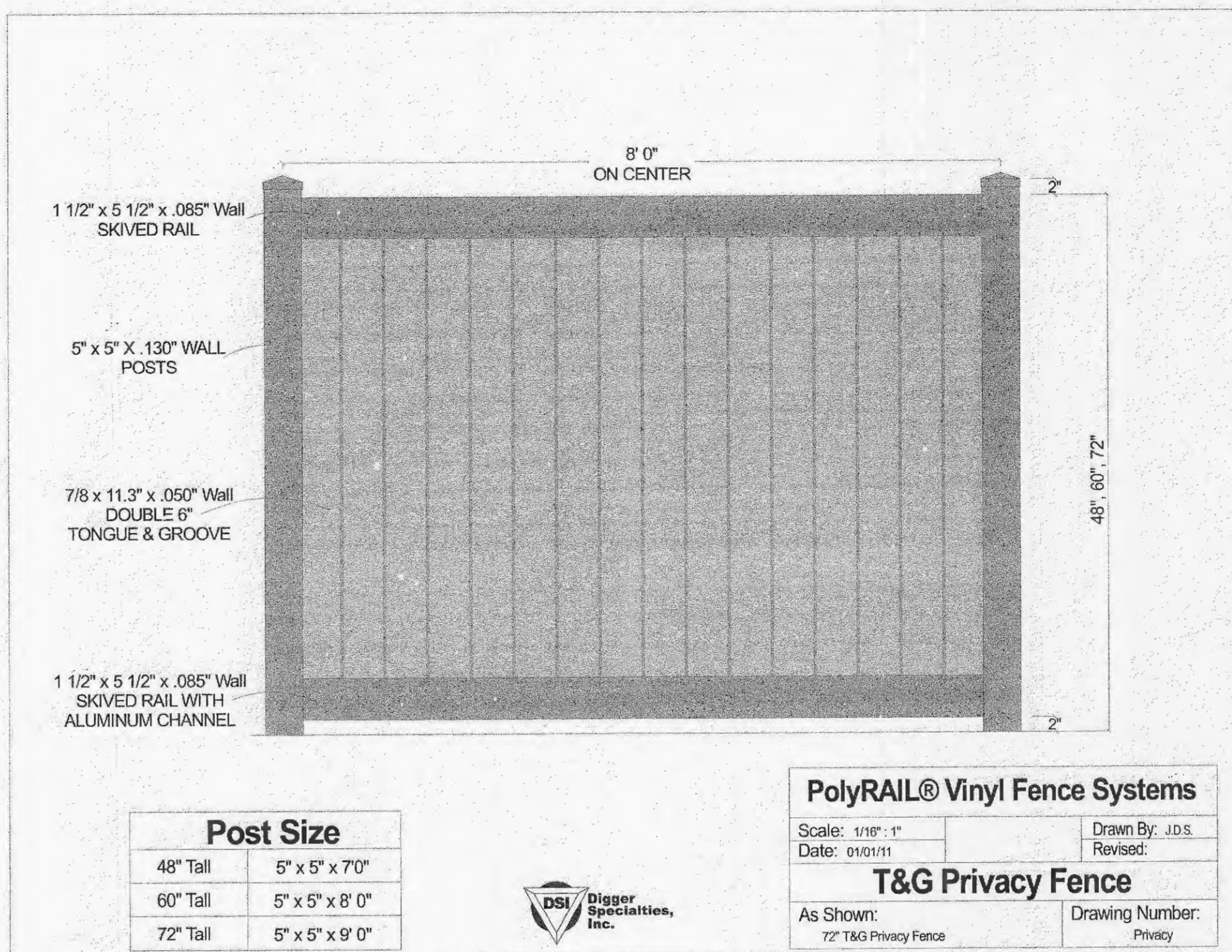


NOTES:

- SUBMIT SHOP DRAWING FOR APPROVAL BEFORE ORDERING. COLOR & STYLE SHALL BE SELECTED BY ARCHITECT FROM MANUFACTURER'S FULL RANGE.

DUMPSTER ENCLOSURE DETAIL

NOT TO SCALE

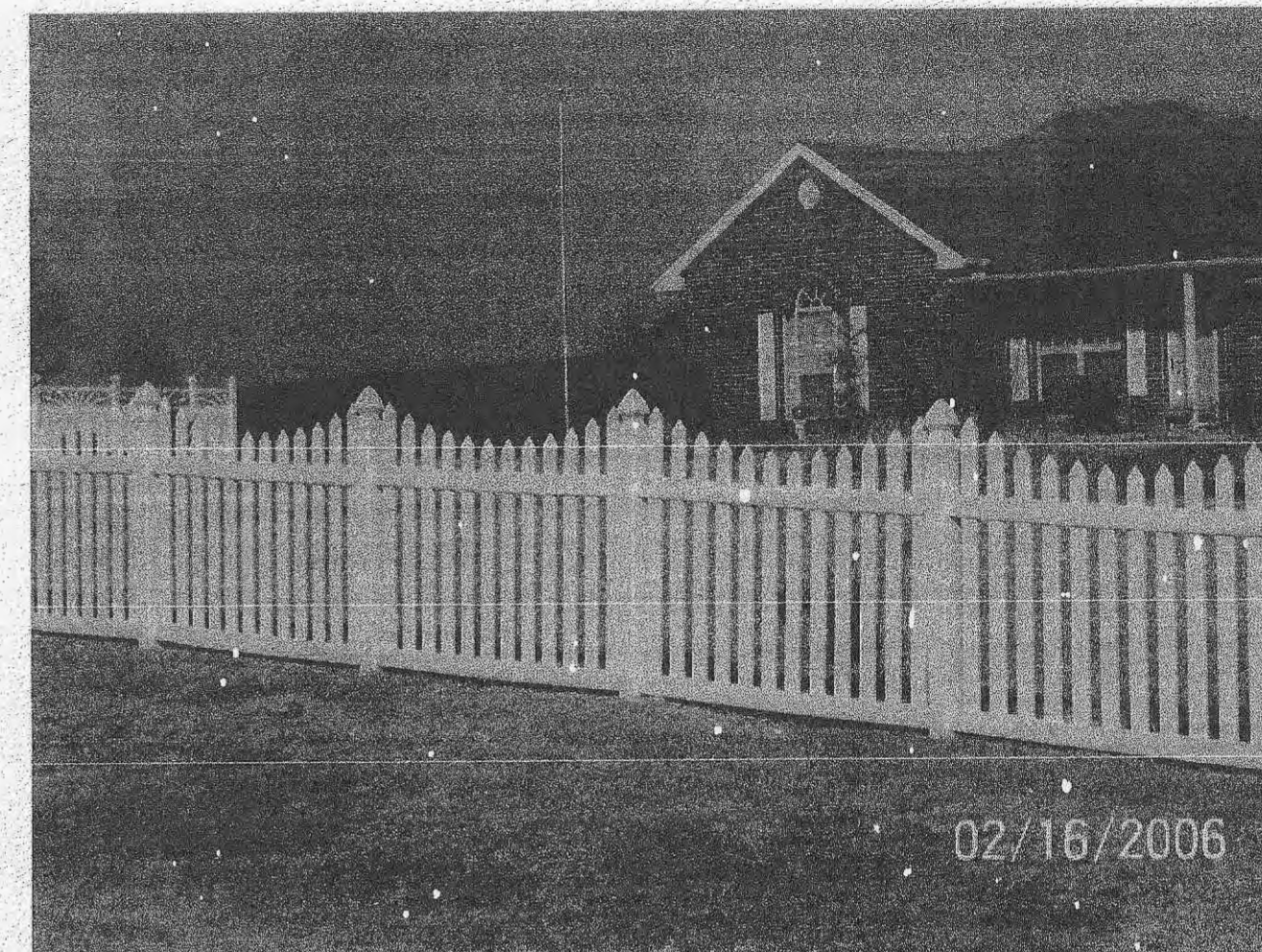


Post Size	
48" Tall	5" x 5" x 7'0"
60" Tall	5" x 5" x 8'0"
72" Tall	5" x 5" x 9'0"



PolyRAIL® Vinyl Fence Systems

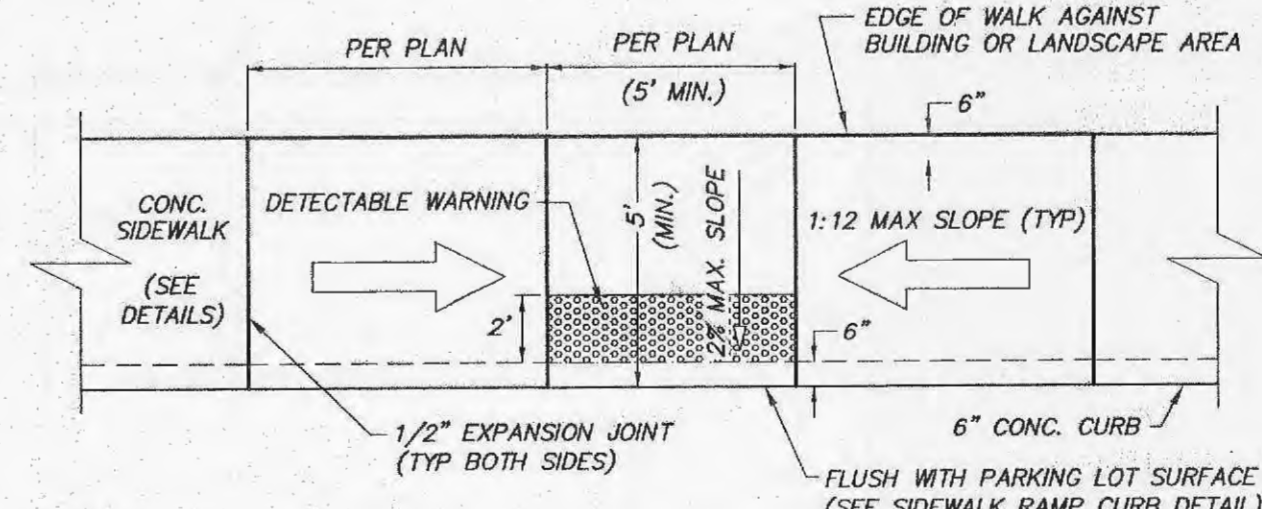
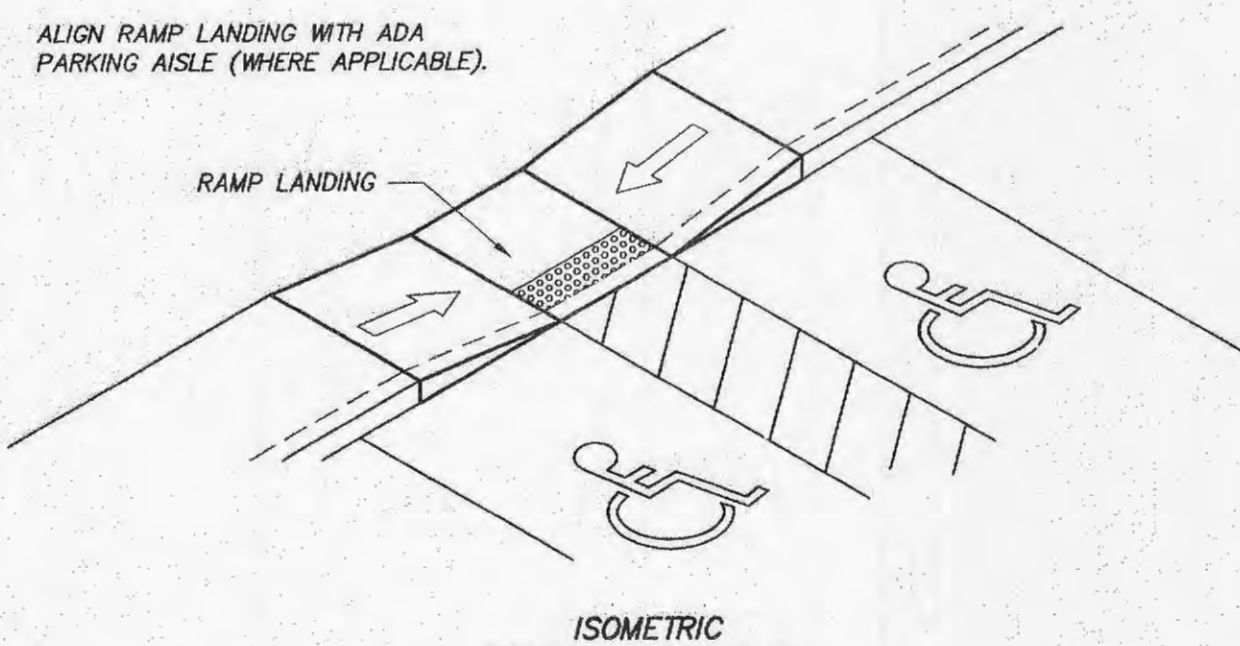
Scale: 1/16" = 1'
Date: 01/01/11
Drawn By: J.D.S.
Revised:
T&G Privacy Fence
As Shown: 72" T&G Privacy Fence
Drawing Number: Privacy



HTTP://WWW.R.FENCE.COM/RESIDENTIAL.HTM

4' SCALLOPED VINYL PICKET FENCE

NOT TO SCALE

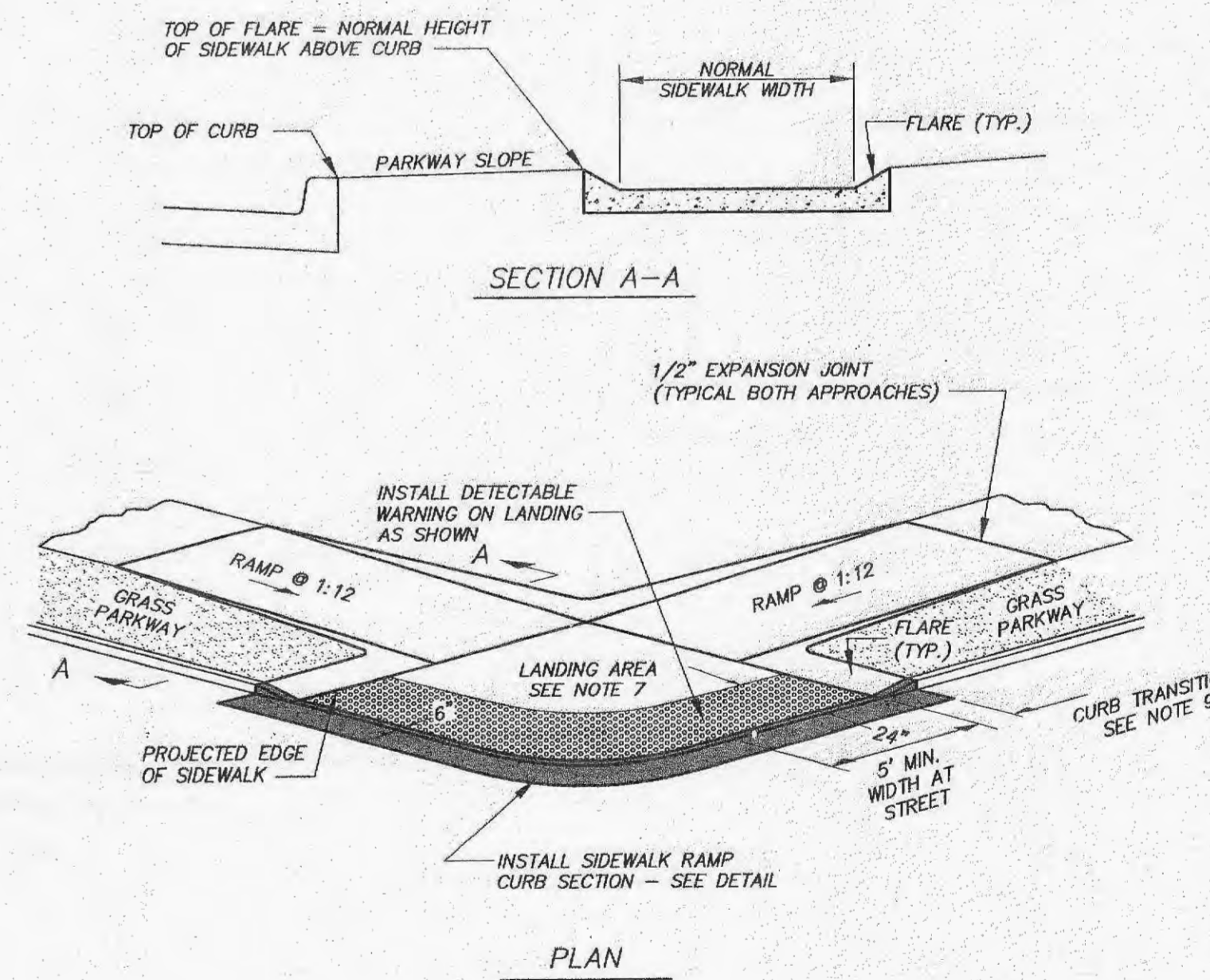


NOTES:

- RAMP SHALL BE 4" THICK 4000 PSI @ 28 DAYS CONCRETE - SEE SPECS.
- EXPANSION JOINT SHALL BE 1/2" PREFORMED CORK OR BITUMINOUS EXPANSION JOINT MATERIAL.
- MAXIMUM RAMP CROSS SLOPE IS 1/4" PER FOOT.
- MAXIMUM RAMP LONGITUDINAL SLOPE IS 1:12, WITH A MAXIMUM RISE OF 6". USE A FLATTER RAMP SLOPE WHEN POSSIBLE.
- RAMP LANDING SLOPE SHALL NOT EXCEED 1/4" PER FOOT IN ALL DIRECTIONS.
- SEE SEPARATE DETAIL FOR MORE INFORMATION ON DETECTABLE WARNINGS.

PARALLEL CURB RAMP

NOT TO SCALE

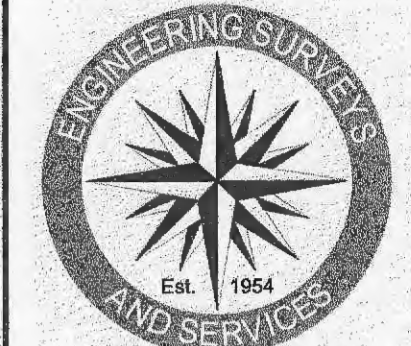


NOTES:

- RAMP SHALL BE 4" THICK 4000 PSI @ 28 DAYS P.C.C.
- EXPANSION JOINT SHALL BE 1/2" PREFORMED CORK OR BITUMINOUS EXPANSION JOINT MATERIAL.
- MAXIMUM RAMP CROSS SLOPE IS 1/4" PER FT.
- ALL SLOPES ARE MEASURED FROM THE HORIZONTAL.
- REPLACE STANDARD CURB SECTION WITH SIDEWALK RAMP CURB SECTION - SEE DETAIL.
- RAMP 1:12 MAX. USE FLATTER WHEN POSSIBLE.
- LANDING AREA SHALL BE 4'-0" MIN WIDTH, CROSS SLOPE OF LANDING SHALL NOT EXCEED 1/4" PER FT.
- FLARES ARE REQUIRED AT RAMPS TO KEEP GRASS PARKWAY SLOPES IN CONFORMANCE WITH THE TYPICAL CROSS SECTION (SEE SECTION A-A).
- CURB TRANSITION LENGTH IS DEPENDENT ON FLARE SLOPE.
- SEE SEPARATE DETAIL FOR MORE INFORMATION ON DETECTABLE WARNINGS.

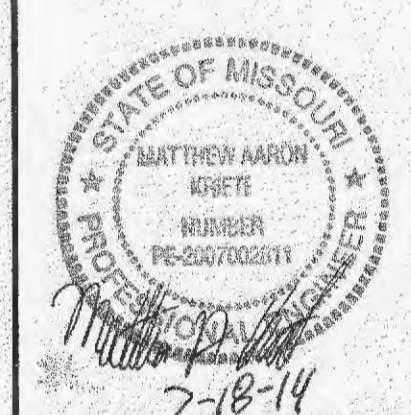
CURB RAMP AT CORNER WITH GRASS PARKWAY

NOT TO SCALE



Engineering Surveys and Services
Consulting Engineers, Scientists, and Land Surveyors
Analytical and Material Laboratories
1113 Pop. Street, Columbia, Missouri 65201
573-449-2446 - www.ESS-Inc.com
Other Offices: St. Louis, Missouri; Jefferson City, Missouri; St. Charles, Missouri; Missouri Engineering Corporation # 200405016

WOODBURY PLACE II
721 WOODLAWN AVENUE
OFALLON, ST. CHARLES COUNTY, MISSOURI



Matthew A. Kriete
PROFESSIONAL ENGINEER
PE-2007002811
Date
MAY 23, 2014
Revised
JULY 18, 2014

Design: TOC Drawn: BR

SITE DETAILS

Sheet

C12.02

ES&S PROJECT NO. 12660