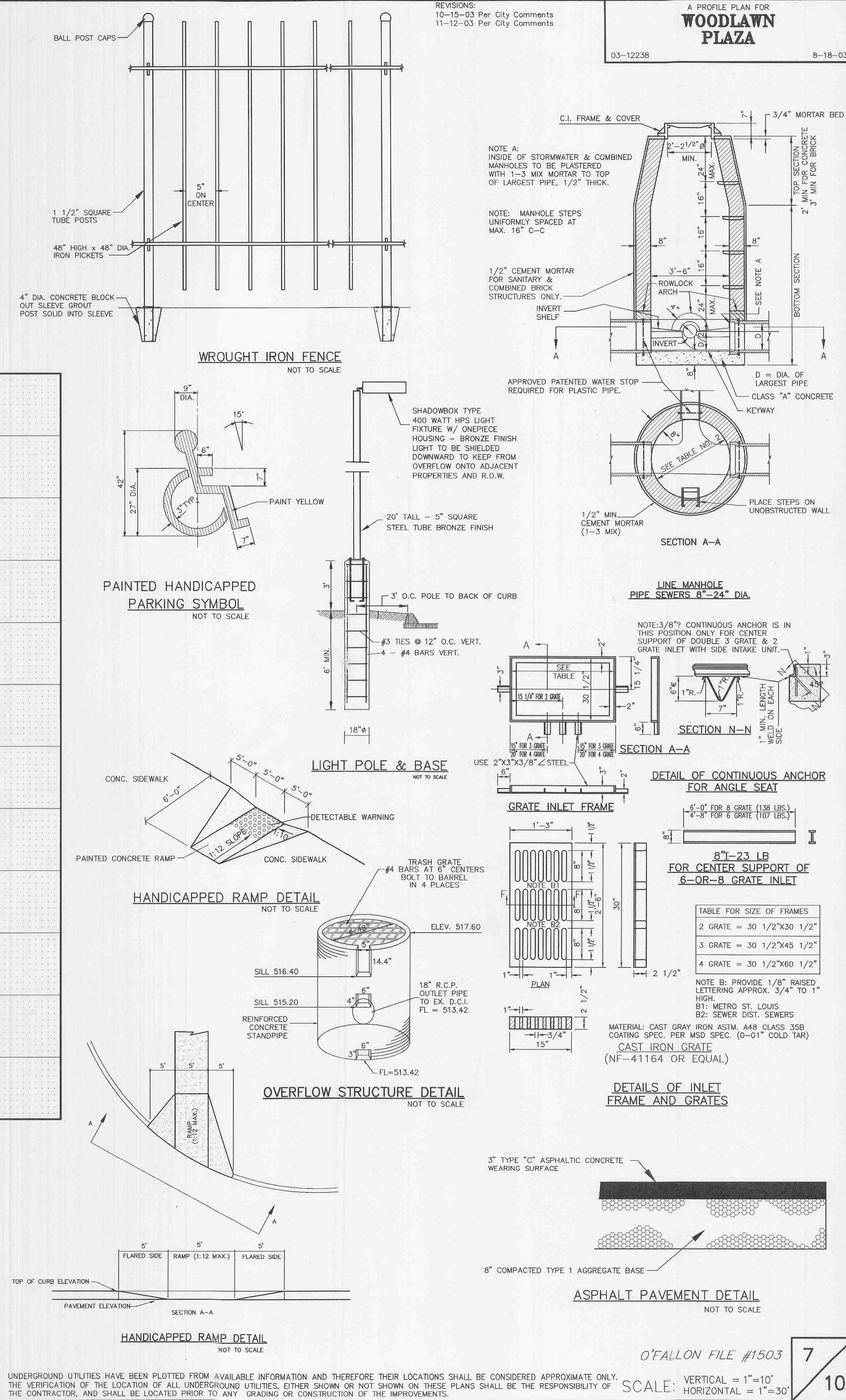
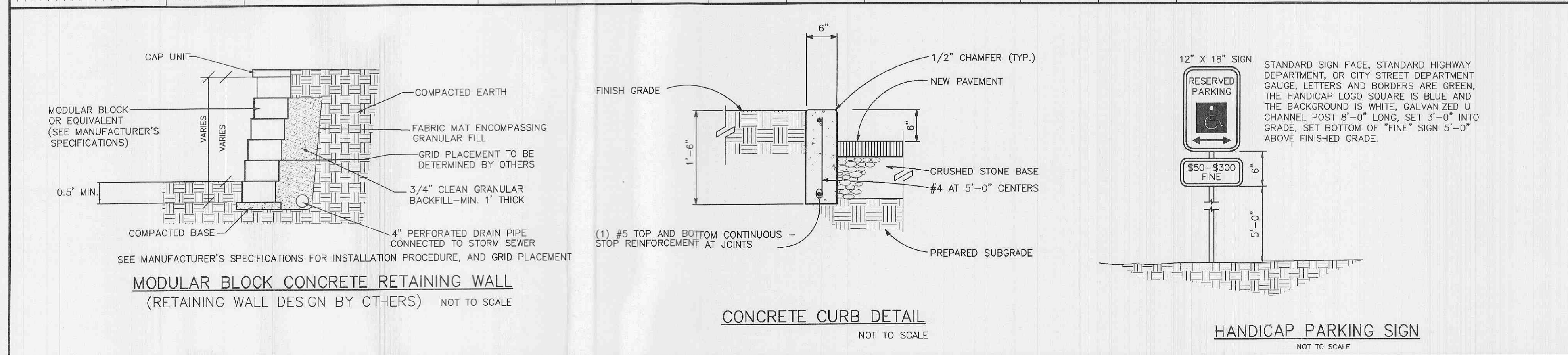


STORM SEWER PROFILE
SCALE: 1"=10' VERTICAL
1"=30' HORIZONTAL

STORM SEWER PROFILE
SCALE: 1"=10' VERTICAL
1"=30' HORIZONTAL

UPP STR	LOW STR	L	DIA	UPPER EL. IN	LOWER EL. IN	PS	UPPER ST. EL.	UPPER HY. EL.	LOWER HY. EL.	HYDR GRADE	FR HEAD	VEL	VEL HEAD	JUNC LOSS	TURN LOSS	CURVE LOSS	STR GRADE	INL CAP	DR AREA	PI	Q	TQ	PIPE CAP	REMARKS	
CI 113 MH 112	125	12	12	515.46	514.83	0.50	520.78	4.62	516.16	515.87	.00180	0.23	1.95	0.06	0.03	0.03	0.00	0.00	0.00	0.00	0.00	1.53	2.53	1	
MH 112 CI 111	52	12	12	514.63	514.37	0.50	520.73	4.86	515.87	515.71	.00180	0.10	1.95	0.06	0.03	0.03	0.00	0.00	0.00	0.00	0.00	1.53	2.51	2	
CI 111 AT 110	109	15	15	514.37	513.67	0.50	519.62	3.91	515.71	515.53	.00130	0.13	1.91	0.06	0.03	0.02	0.00	0.00	0.00	0.00	0.00	2.35	4.57	3	
AT 110 EX GI	106	24	24	513.47	512.35	1.05	517.62	2.09	515.53	515.47	.00020	0.02	1.02	0.02	0.00	0.04	0.00	0.00	0.00	0.00	0.00	3.19	23.22	4	HW=515.47
CI 109 GI 108	207	12	12	515.64	514.60	0.50	518.55	1.64	516.91	516.66	.00110	0.22	1.48	0.03	0.03	0.00	0.00	0.00	0.00	0.00	0.00	1.16	2.52	5	
CI 108 EP 107	12	15	15	514.40	514.34	0.52	518.79	2.13	516.66	516.56	.00140	0.22	1.95	0.06	0.06	0.02	0.00	0.00	0.00	0.00	0.00	2.39	4.67	6	HW=516.56
CI 106 CI 105	112	12	12	517.30	516.74	0.50	520.78	2.69	518.09	517.92	.00120	0.13	1.55	0.04	0.04	0.00	0.00	0.00	0.00	0.00	0.00	1.22	2.52	7	
CI 105 CI 104	112	15	15	516.54	515.98	0.50	520.78	2.86	517.92	517.71	.00150	0.17	2.04	0.05	0.04	0.00	0.00	0.00	0.00	0.00	0.00	2.50	4.57	8	
CI 104 MH 103	69	15	15	515.78	515.46	0.51	520.78	3.07	517.71	517.43	.00310	0.19	2.91	0.13	0.08	0.08	0.00	0.00	0.00	0.00	0.00	3.57	4.61	9	
MH 103 GI 102	85	15	15	515.26	514.84	0.50	523.50	6.07	517.43	517.02	.00310	0.25	2.91	0.13	0.08	0.08	0.00	0.00	0.00	0.00	0.00	3.57	4.59	10	
GI 102 EP 101	107	18	18	514.64	514.00	0.60	520.00	2.98	517.02	516.56	.00270	0.29	3.08	0.15	0.11	0.06	0.00	0.00	0.00	0.00	0.00	5.44	8.12	11	HW=516.56
OS 100 EX DCI	93	18	18	513.42	512.43	1.06	517.60	3.61	513.99	513.93	.00040	0.04	1.23	0.02	0.02	0.00	0.00	0.00	0.00	0.00	0.00	2.17	10.84	12	HW=513.93

* INDICATES CRITICAL DEPTH



REVISIONS:
10-15-03 Per City Comments
11-12-03 Per City Comments

A PROFILE PLAN FOR
WOODLAWN PLAZA
03-12238 8-18-03